

US00D547959S

(12) **United States Design Patent**
Adams

(10) **Patent No.:** **US D547,959 S**

(45) **Date of Patent:** **** Aug. 7, 2007**

(54) **OFFICE CHAIR**

(75) Inventor: **Nichola Jane Adams**, London (GB)

(73) Assignee: **NA & PG LLP**, London (GB)

(**) Term: **14 Years**

(21) Appl. No.: **29/269,648**

(22) Filed: **Dec. 6, 2006**

(51) **LOC (8) Cl.** **06-01**

(52) **U.S. Cl.** **D6/366**

(58) **Field of Classification Search** D6/334-336,
D6/356, 364-367, 374, 375, 379, 380, 498,
D6/500-50; 297/411.2, 411.27, 452.21,
297/452.29, 452.32, 452.35
See application file for complete search history.

(56) **References Cited**

U.S. PATENT DOCUMENTS

D247,463 S *	3/1978	Muller-Deisig	D6/366
D270,020 S *	8/1983	Drabert	D6/366
D289,708 S *	5/1987	Rykken	D6/367
D292,351 S *	10/1987	Brossard et al.	D6/366
D350,033 S *	8/1994	Beaulieu	D6/366
D378,170 S *	2/1997	Beaulieu	D6/366
D396,155 S *	7/1998	Shamir	D6/502

D417,966 S *	12/1999	Beaulieu	D6/366
D418,685 S *	1/2000	Kaczmarek	D6/366
D420,841 S *	2/2000	Keilhauer	D6/502

* cited by examiner

Primary Examiner—Mimosa De

(74) *Attorney, Agent, or Firm*—Lowe, Hauptman and Berner

(57) **CLAIM**

I claim the ornamental design for the office chair, as shown and described.

DESCRIPTION

FIG. 1 is a perspective view of the office chair;
FIG. 2 is a front side view of the office chair;
FIG. 3 is a back side view of the office chair;
FIG. 4 is left side view of the office chair;
FIG. 5 is a right side view of the office chair;
FIG. 6 is a top view of the office chair; and,
FIG. 7 is a bottom view of the office chair.
The broken lines on the FIGS. 1-7 are directed to environment and form no part of the claimed design.

1 Claim, 7 Drawing Sheets

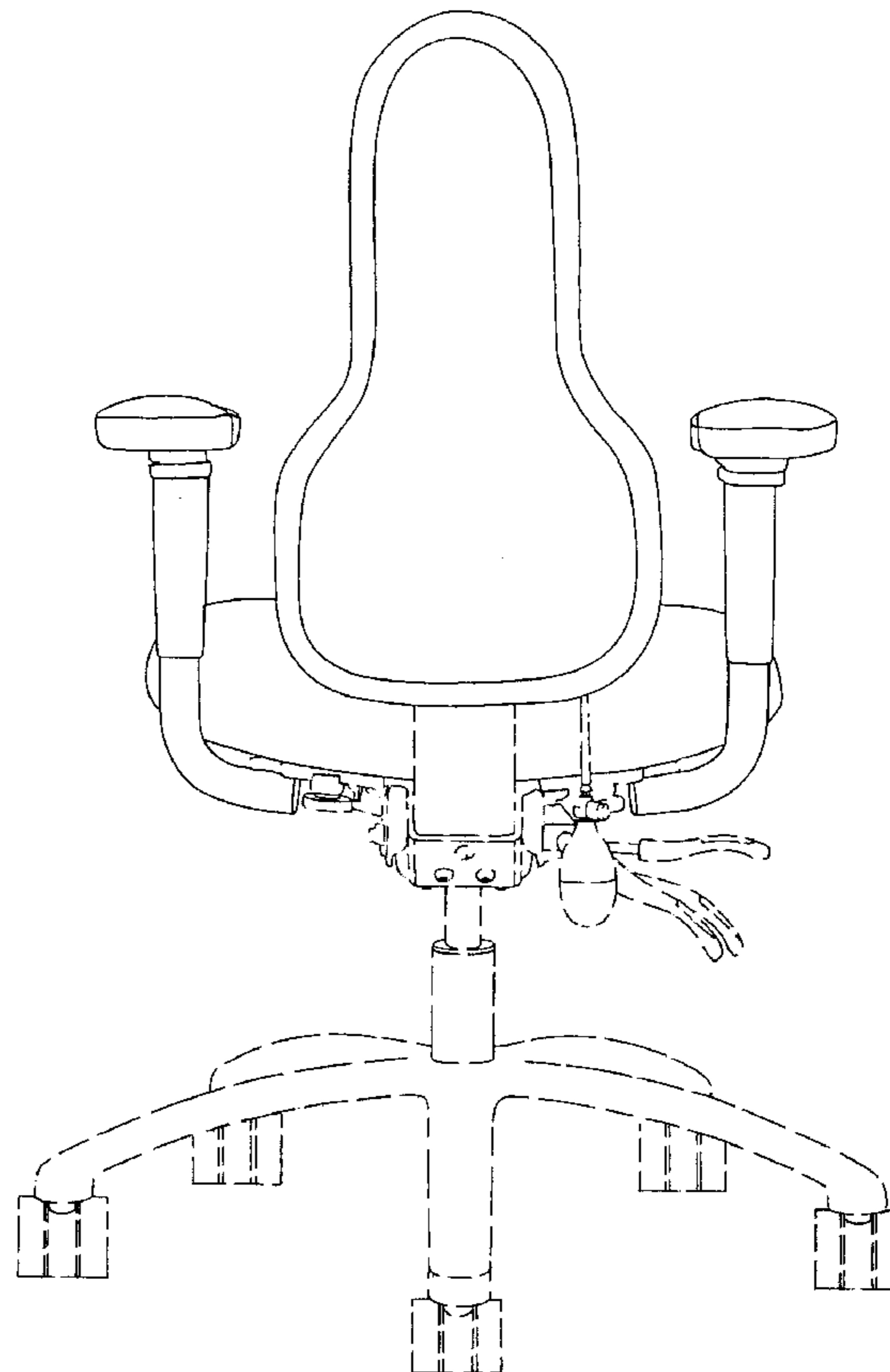
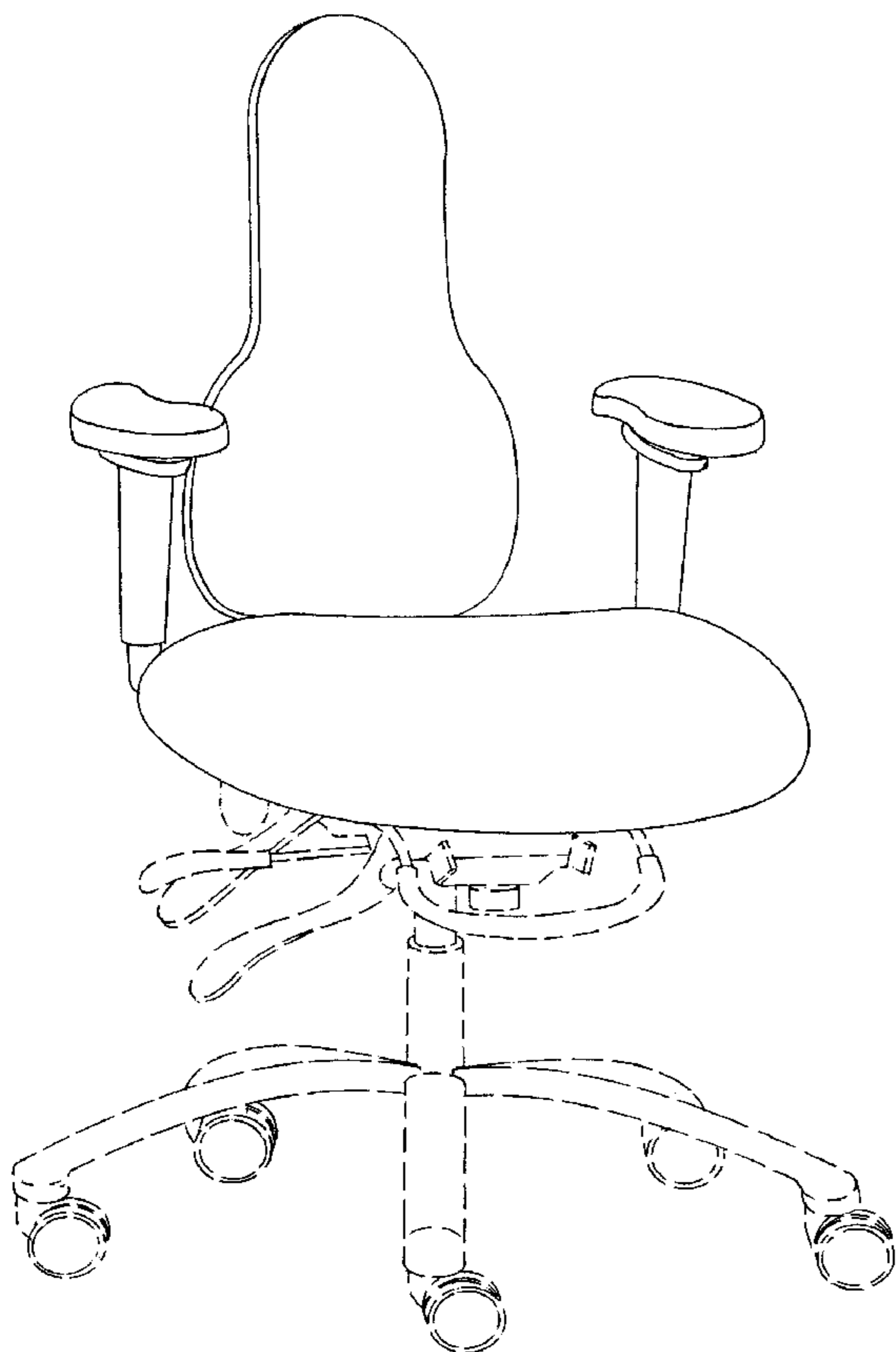


FIG. 1

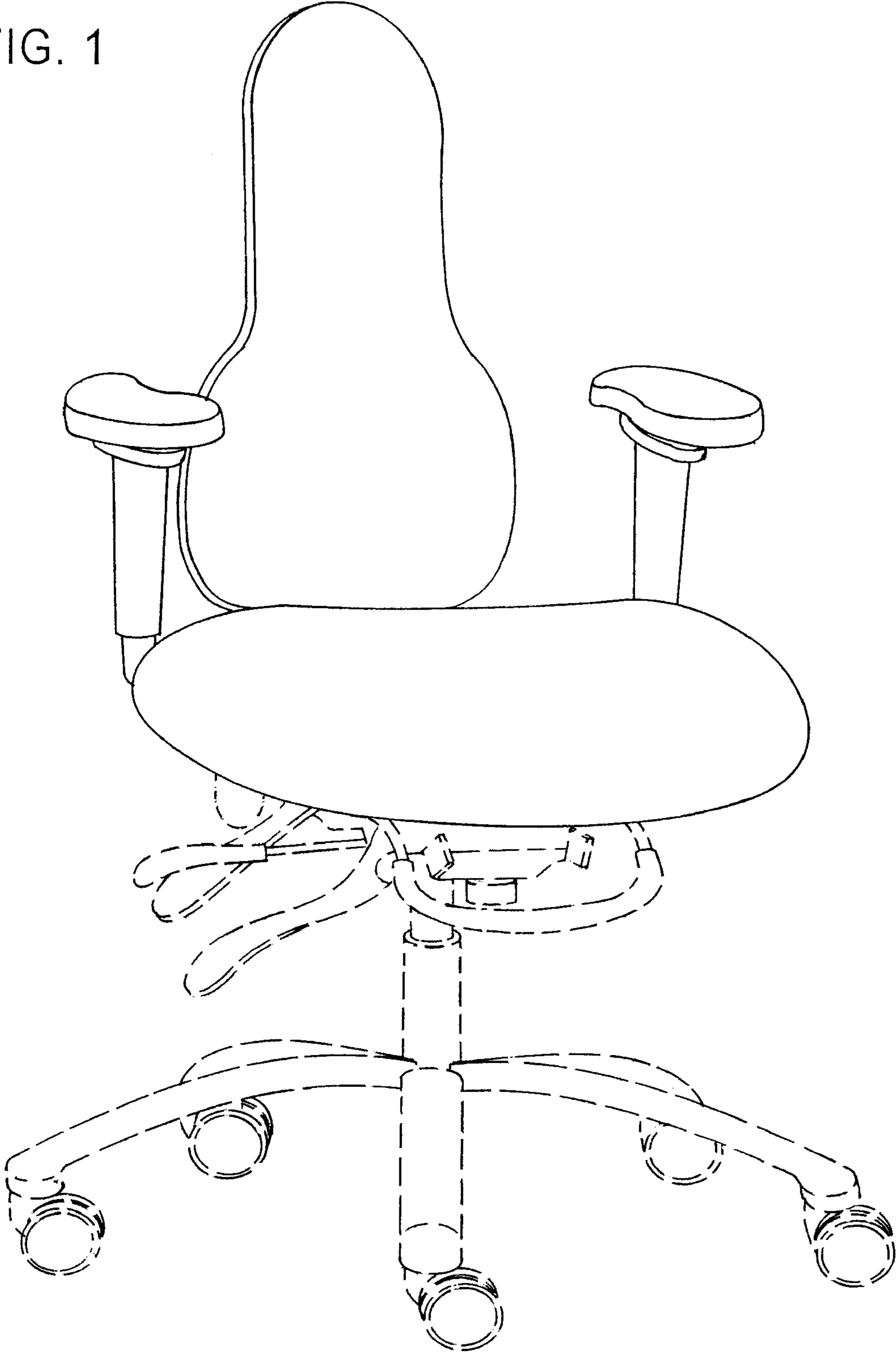


FIG. 2

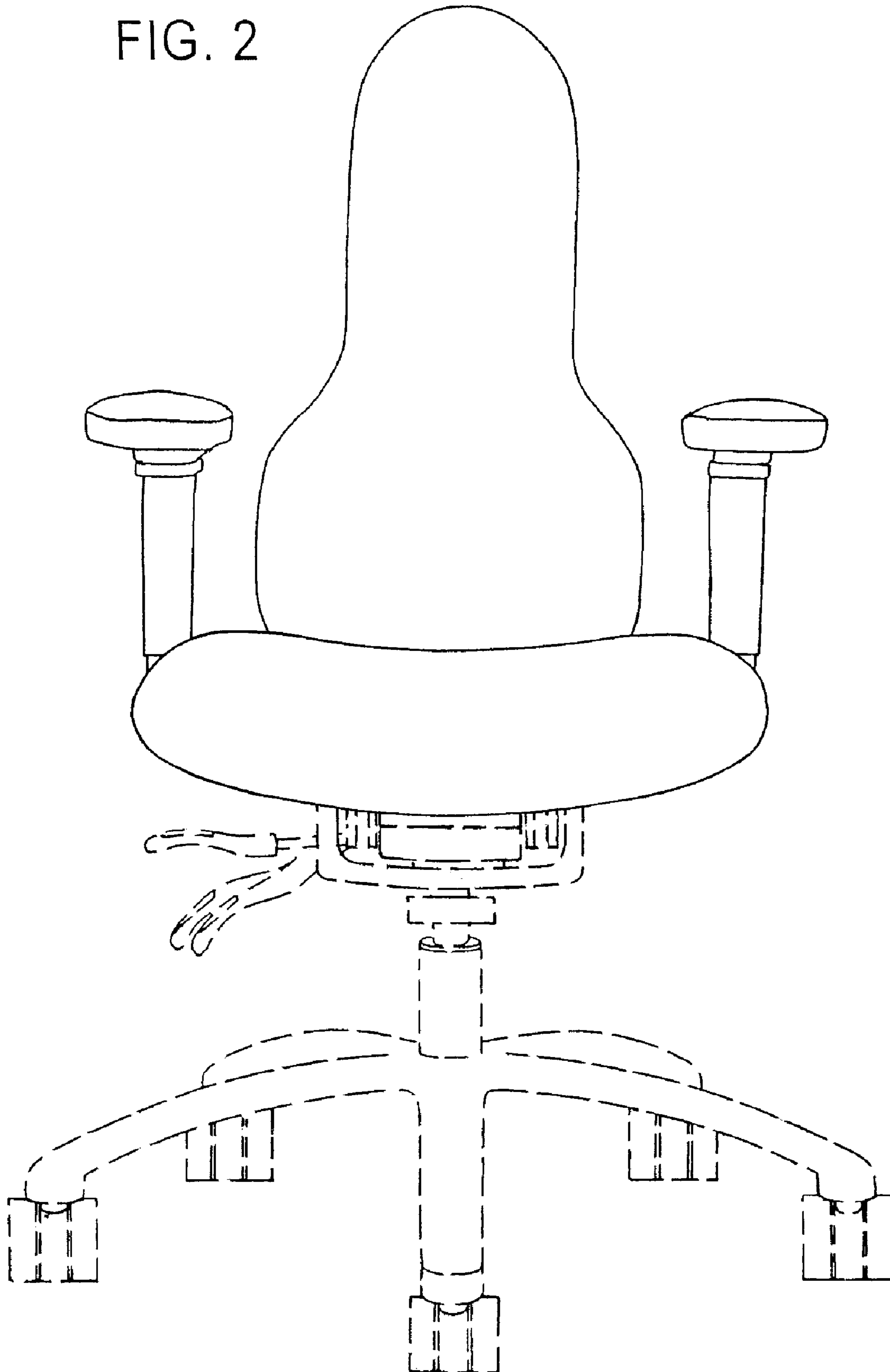


FIG. 3

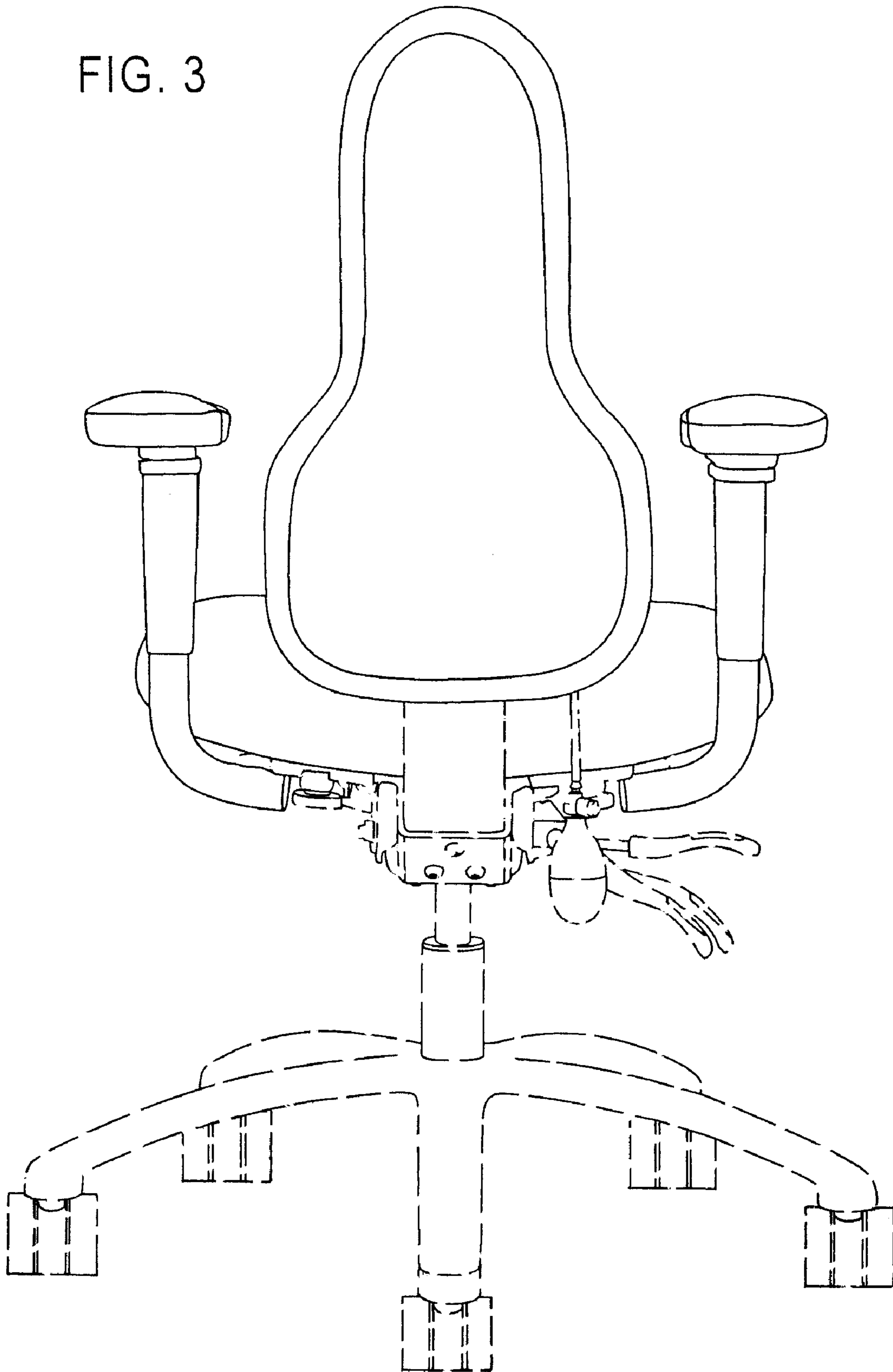


FIG. 4

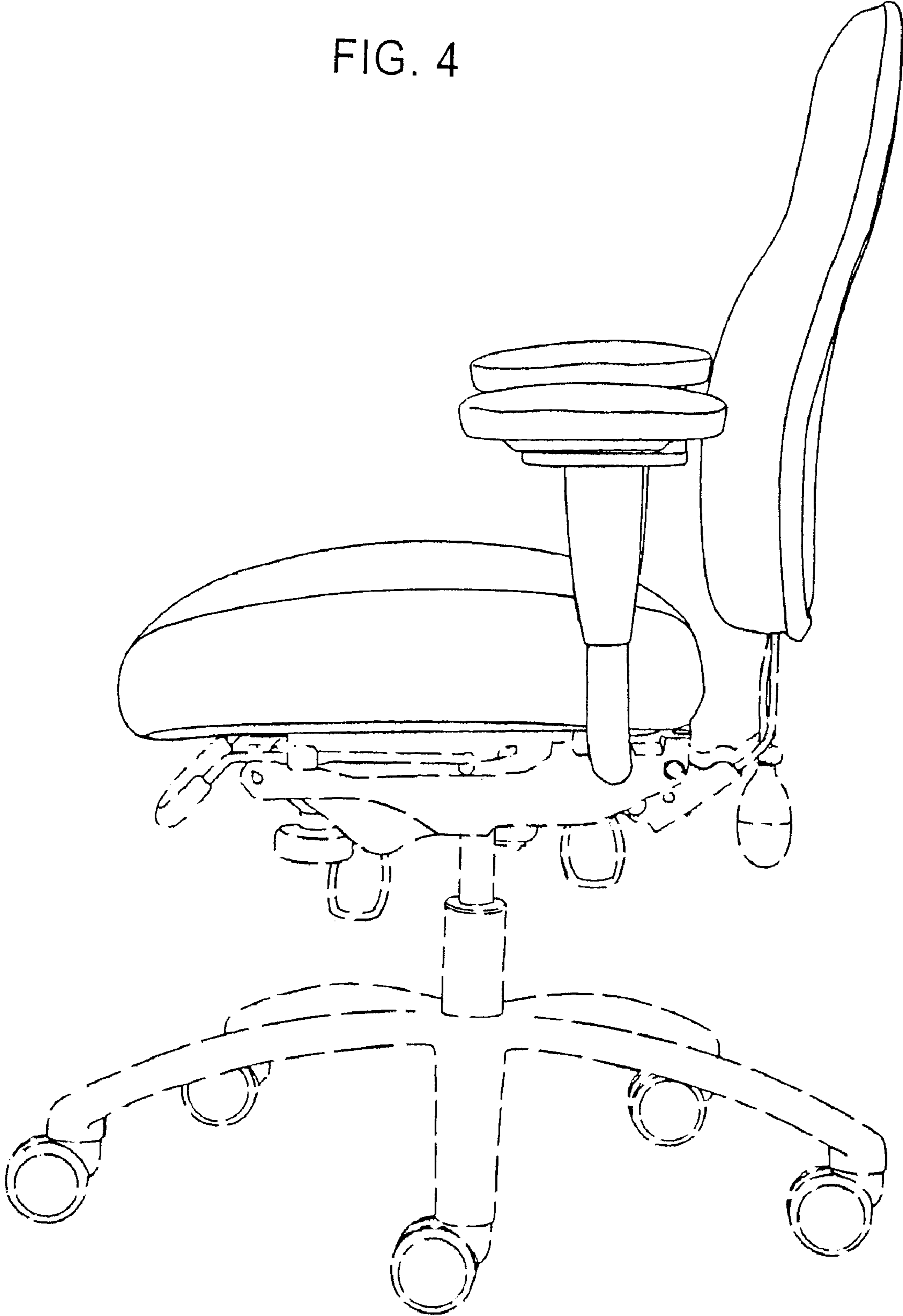


FIG. 5

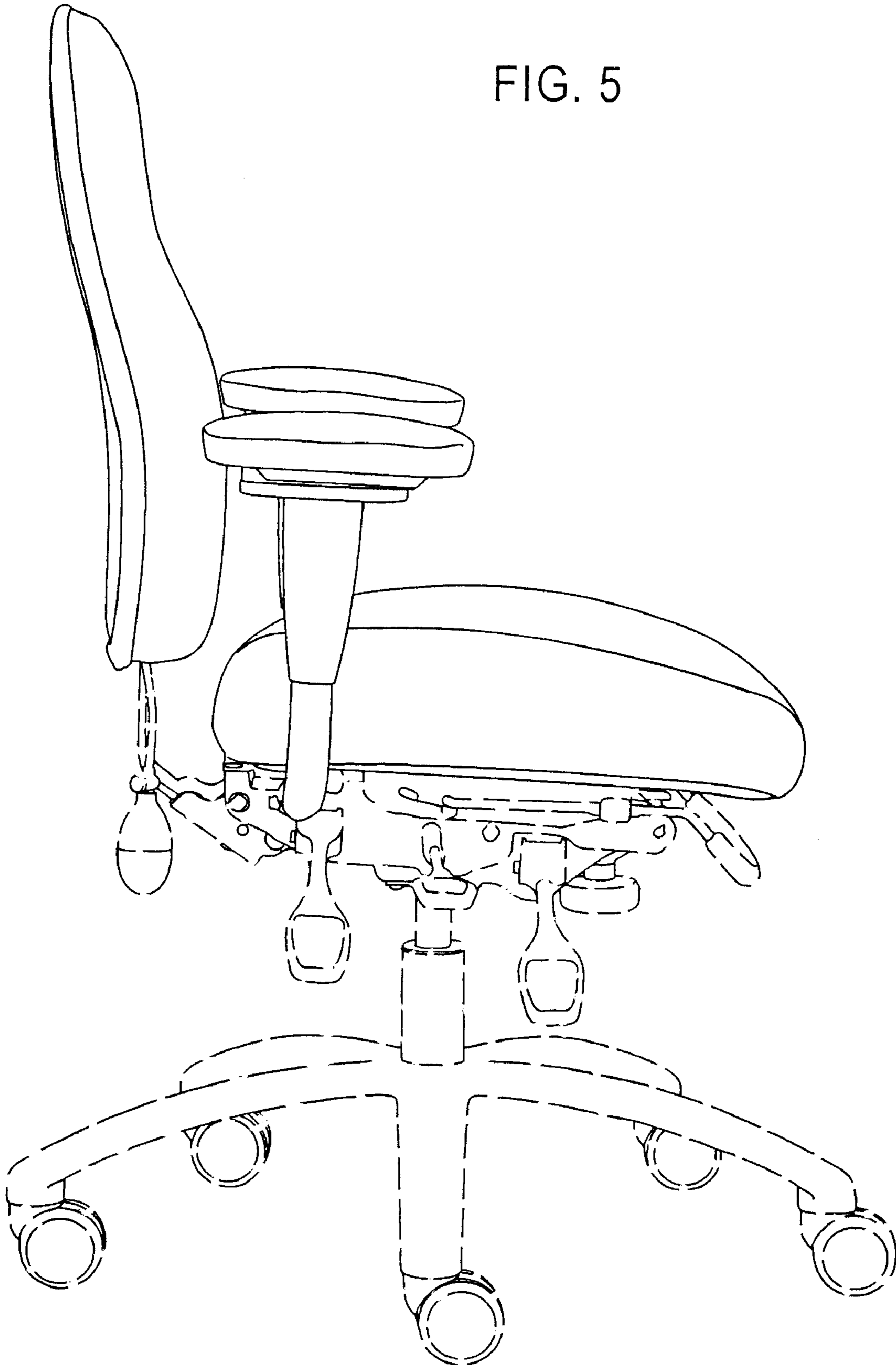


FIG. 6

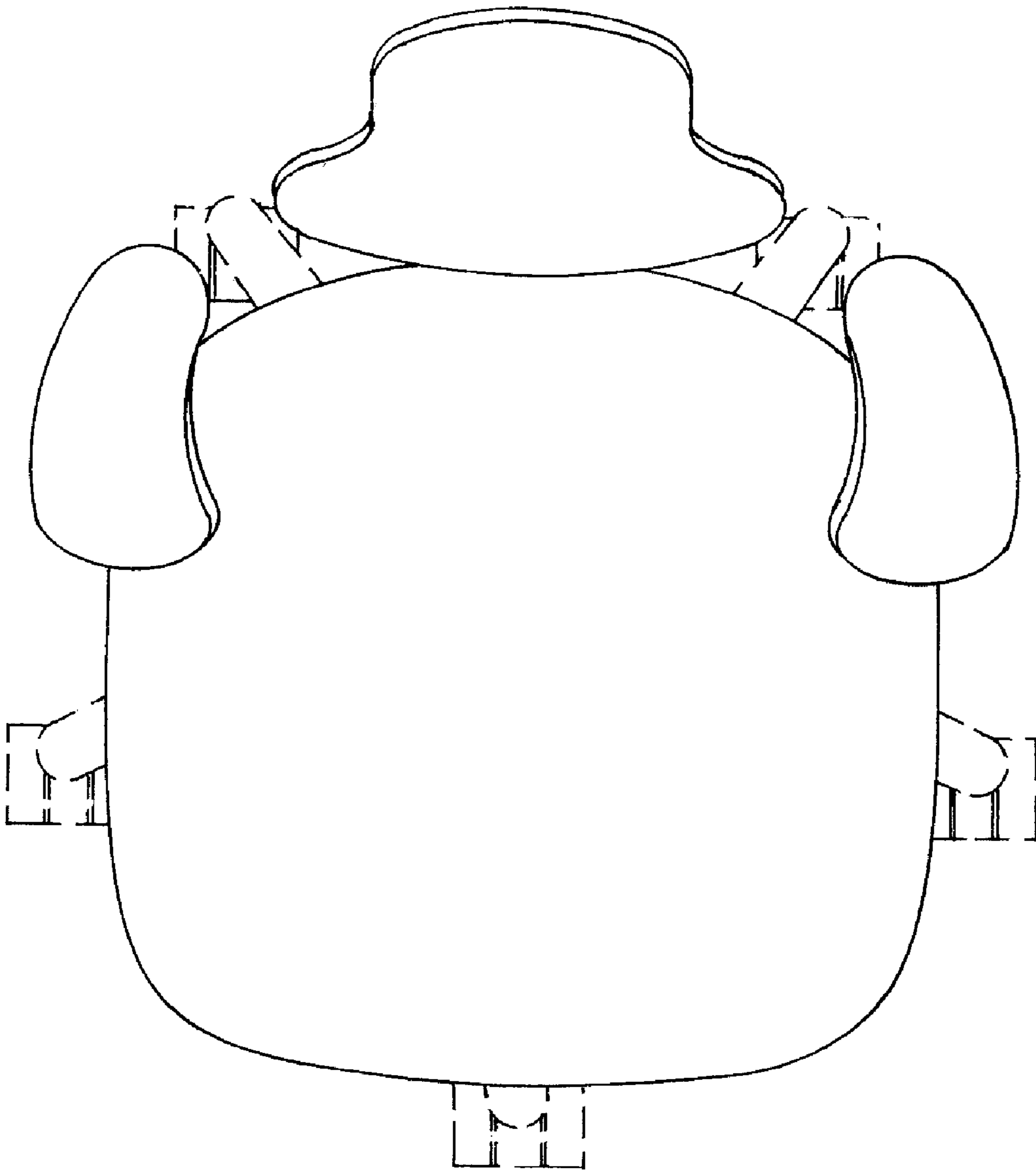


FIG. 7

