

US00D547956S

(12) **United States Design Patent**  
**Williams et al.**

(10) **Patent No.:** **US D547,956 S**

(45) **Date of Patent:** **\*\* Aug. 7, 2007**

(54) **DOUBLE ROBE HOOK**

(75) Inventors: **Emilie Williams**, Fishers, IN (US);  
**Anthony G. Spangler**, Carmel, IN  
(US); **Ashley Spangler**, Kansas City,  
MO (US)

(73) Assignee: **Masco Corporation of Indiana**,  
Indianapolis, IN (US)

(\*\*) Term: **14 Years**

(21) Appl. No.: **29/275,932**

(22) Filed: **Jan. 10, 2007**

(51) **LOC (8) Cl.** ..... **06-08**

(52) **U.S. Cl.** ..... **D6/323**

(58) **Field of Classification Search** ..... D6/315,  
D6/317, 320, 323, 325, 328; D8/300, 307,  
D8/310, 321, 349, 354, 367, 372, 373; 211/13.1,  
211/85.3, 86.01, 183; 223/85-98; 248/200,  
248/317, 560

See application file for complete search history.

(56) **References Cited**

**U.S. PATENT DOCUMENTS**

D450,566 S \* 11/2001 Gottwald ..... D8/367  
D453,271 S \* 2/2002 Gilbert et al. .... D6/323

D464,812 S \* 10/2002 Yen ..... D6/323  
D465,096 S \* 11/2002 Ouyoung ..... D6/323  
D472,060 S \* 3/2003 Hoernig ..... D6/323  
D477,150 S \* 7/2003 Hoernig ..... D6/323  
D489,250 S \* 5/2004 Graves et al. .... D8/367

\* cited by examiner

*Primary Examiner*—Stella Reid

*Assistant Examiner*—Shanda C. Hill

(74) *Attorney, Agent, or Firm*—Leon E. Redman; Lloyd D.  
Doigan

(57) **CLAIM**

The ornamental design for a double robe hook, as shown and  
described.

**DESCRIPTION**

FIG. 1 is a front perspective view of a double robe hook  
showing our new design;

FIG. 2 is a front elevational view thereof;

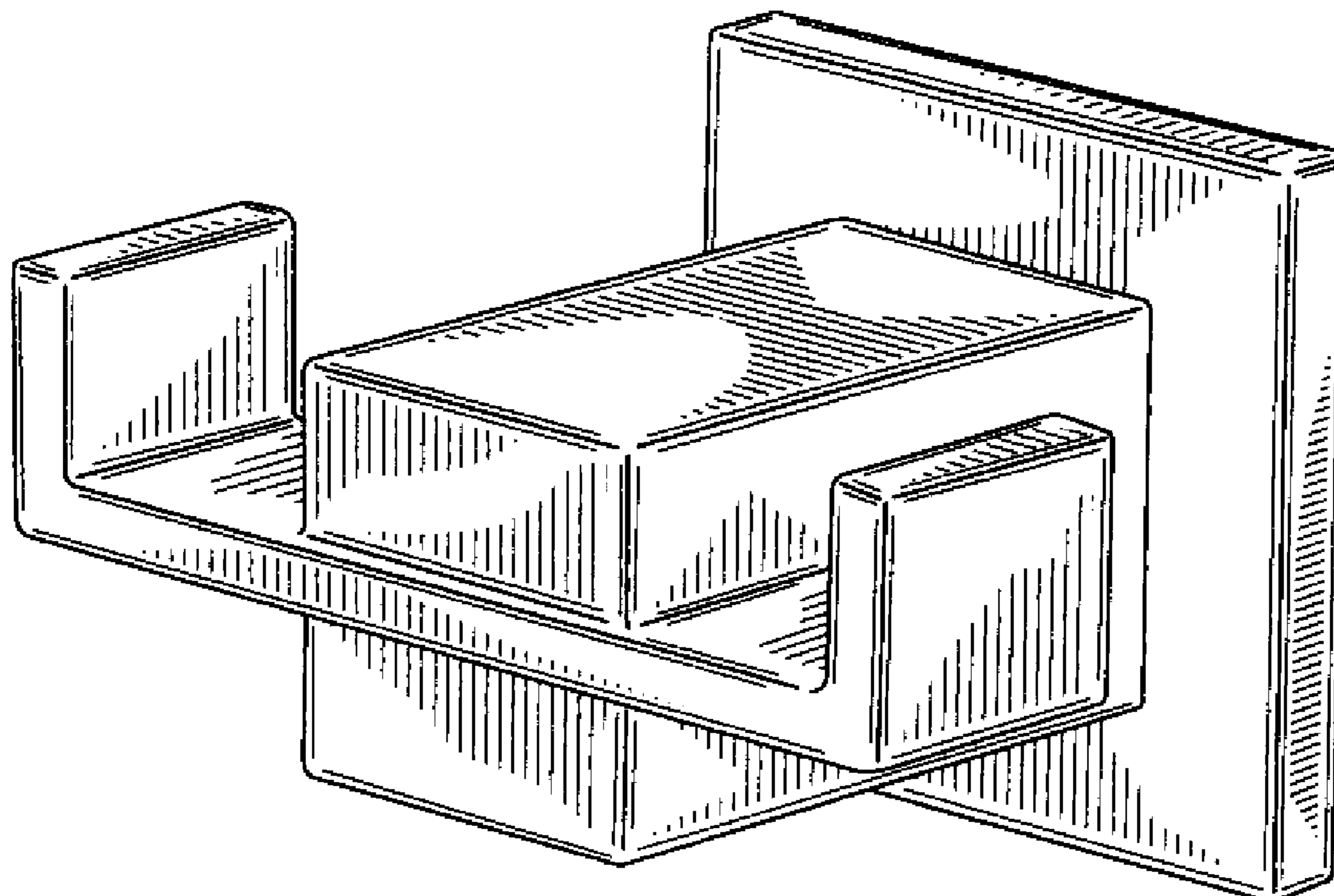
FIG. 3 is a left side elevational view thereof;

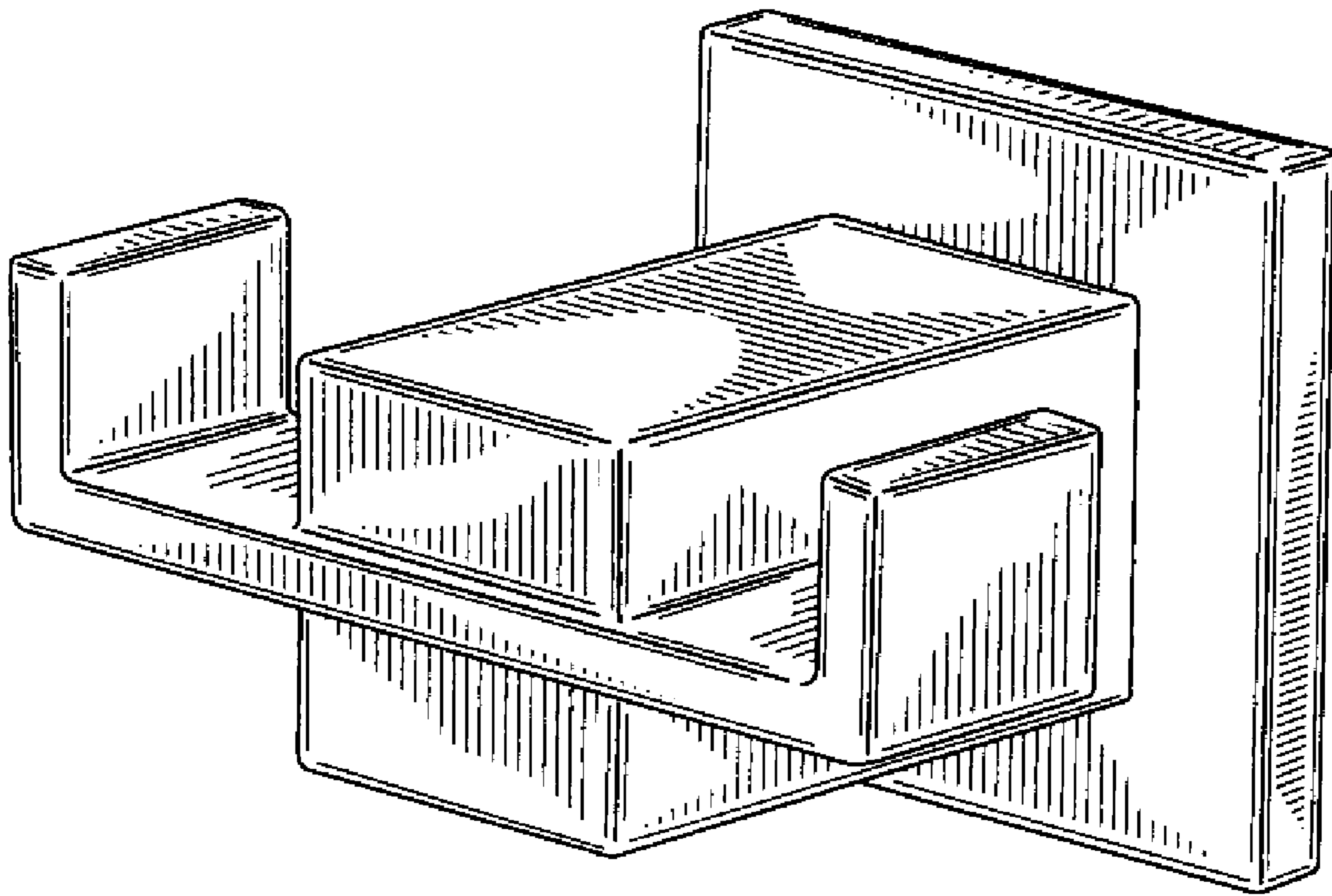
FIG. 4 is a right side elevational view thereof;

FIG. 5 is a top plan view thereof; and,

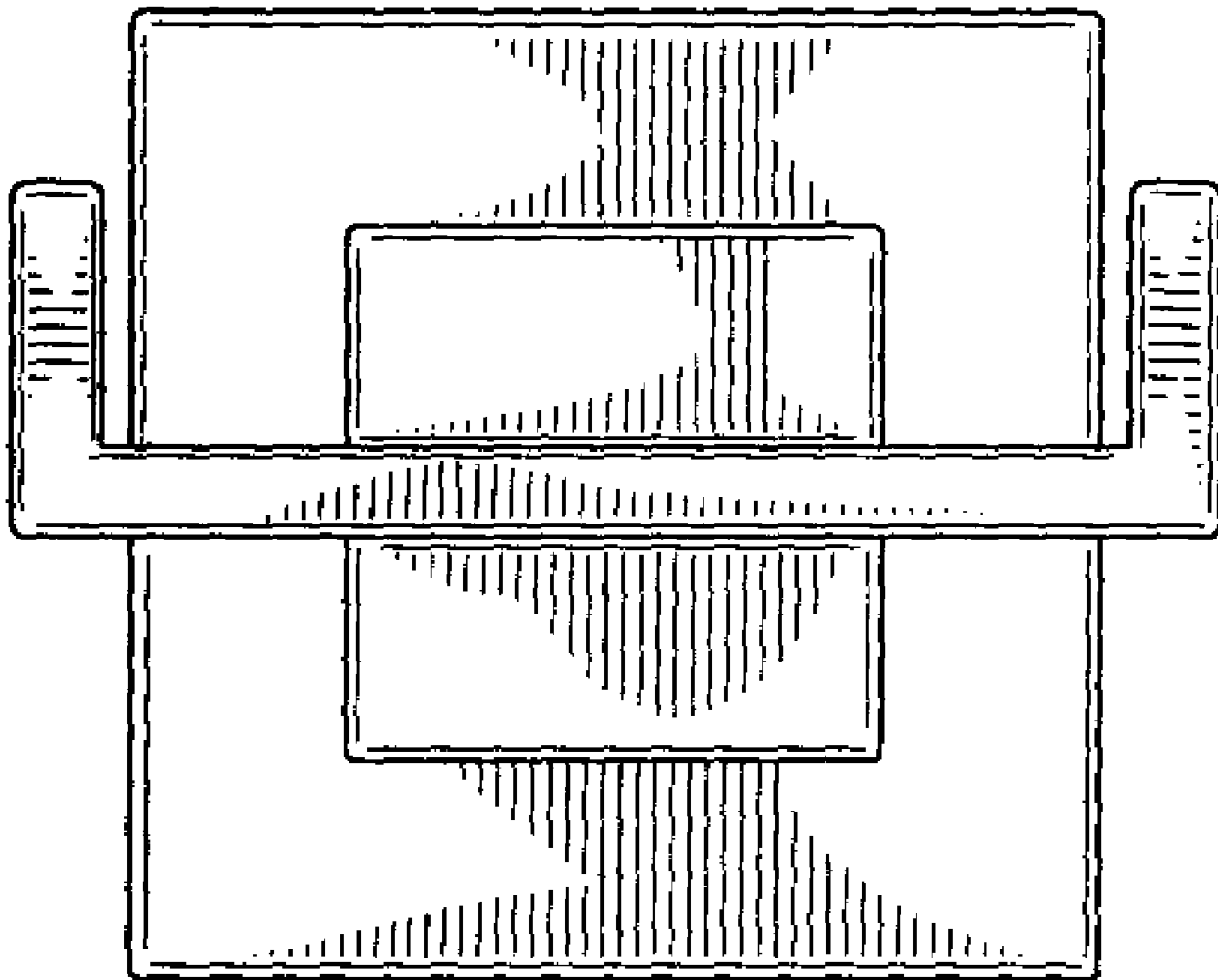
FIG. 6 is a bottom plan view thereof.

**1 Claim, 4 Drawing Sheets**

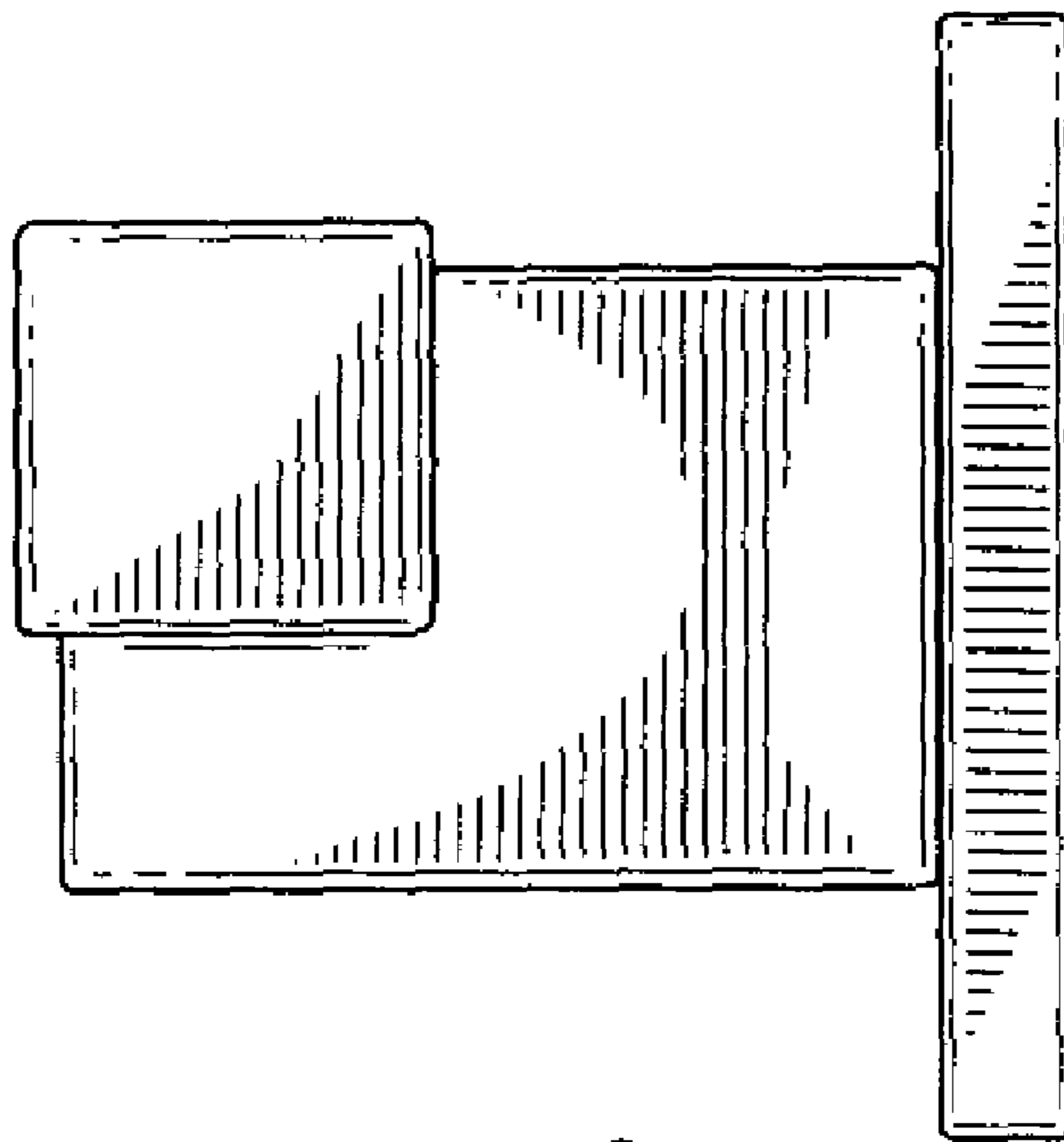




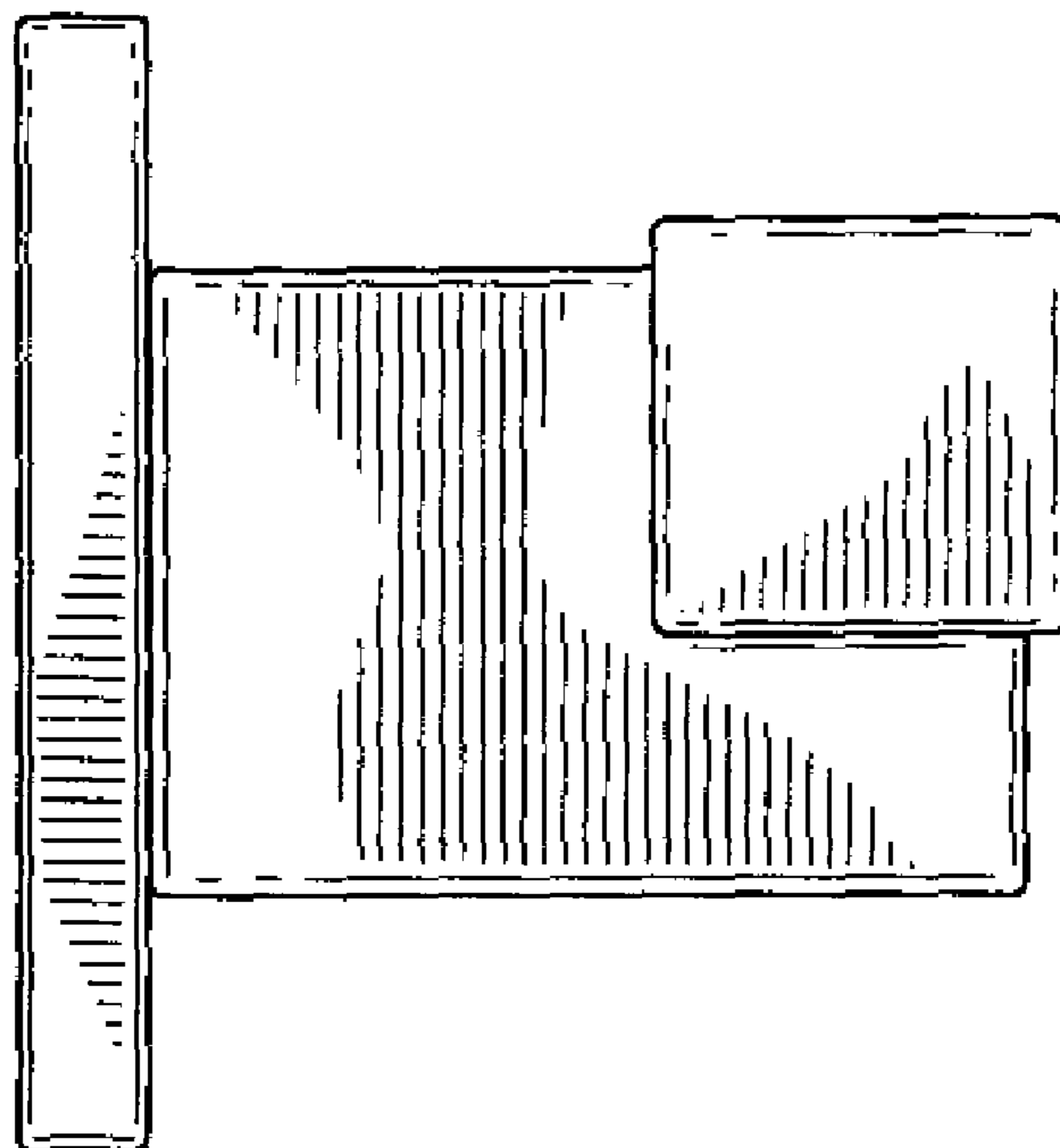
**FIG. 1**



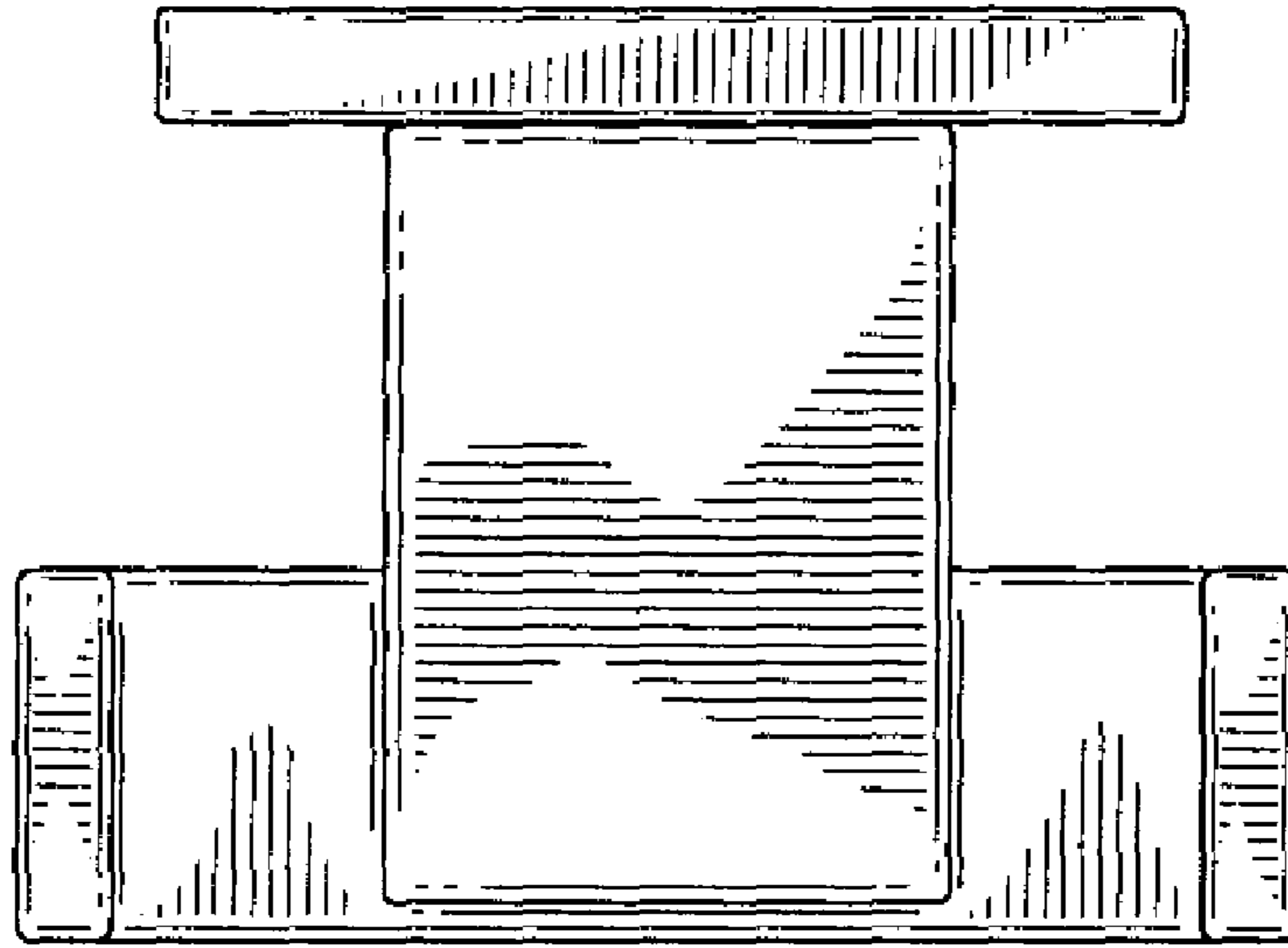
**FIG. 2**



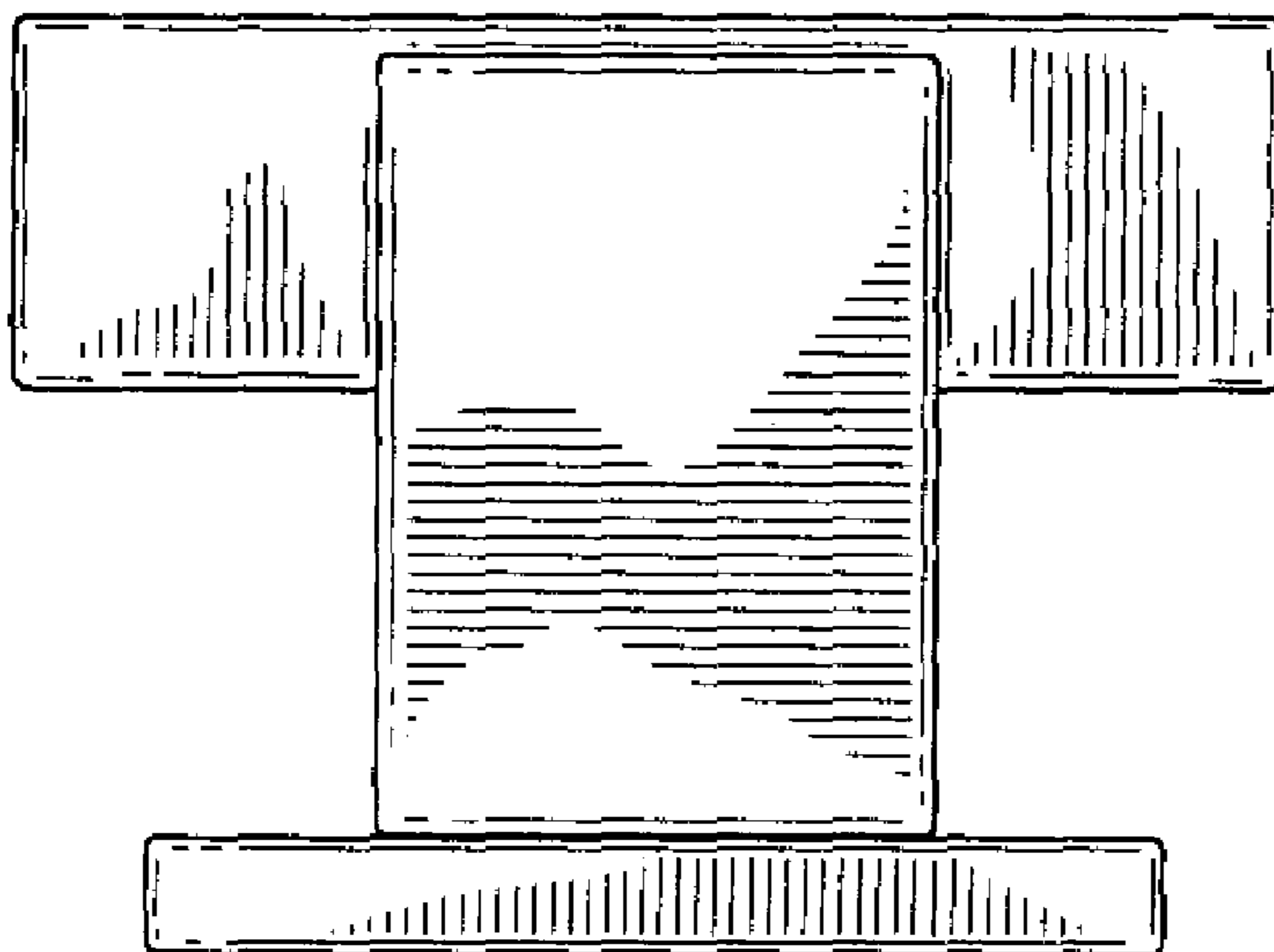
**FIG. 3**



**FIG. 4**



**FIG. 5**



**FIG. 6**