

US00D547955S

(12) **United States Design Patent** (10) **Patent No.:** **US D547,955 S**
Johnson et al. (45) **Date of Patent:** **** Aug. 7, 2007**

(54) **DISPLAY RACK**

(75) Inventors: **David R. Johnson**, Upland, CA (US);
Jim Furlong, Lake Zurich, IL (US);
John Wakely, Riverside, IL (US);
Loren Heinzeroth, Roscoe, IL (US);
Christopher Rozek, Delafield, WI (US)

(73) Assignee: **Rain Bird Corporation**, Azusa, CA (US)

(**) Term: **14 Years**

(21) Appl. No.: **29/220,766**

(22) Filed: **Jan. 6, 2005**

(51) **LOC (8) Cl.** **20-02**

(52) **U.S. Cl.** **D5/566**

(58) **Field of Classification Search** D6/316,
D6/320, 322-3, 396-7, 410-2, 449-50, 462,
D6/509, 508, 511-512, 546, 553, 563, 566-567,
D6/572, 574; D8/349; D20/42; 211/13.1,
211/41.4, 85.3, 87.01, 90.03, 106, 134, 181.1,
211/182; 248/302, 304, 309.1

See application file for complete search history.

(56) **References Cited**

U.S. PATENT DOCUMENTS

3,288,303 A * 11/1966 Dahl 211/51

(Continued)

Primary Examiner—Alan P. Douglas

Assistant Examiner—Angela J. Lee

(74) *Attorney, Agent, or Firm*—Fitch, Even, Tabin & Flannery

(57) **CLAIM**

We claim the ornamental design for a display rack, as shown and described.

DESCRIPTION

FIG. 1 is a perspective view of a first embodiment of a display rack of our new design;

FIG. 2 is a side elevational view of the display rack of FIG. 1, the opposite side elevational view being a mirror image thereof;

FIG. 3 is a front elevational view of the display rack of FIG. 1;

FIG. 4 is a rear elevational view of the display rack of FIG. 1;

FIG. 5 is a bottom plan view of the display rack of FIG. 1;

FIG. 6 is a top plan view of the display rack of FIG. 1;

FIG. 7 is a perspective view of a second embodiment of a display rack of our new design;

FIG. 8 is a side elevational view of the display rack of FIG. 7, the opposite side elevational view being a mirror image thereof;

FIG. 9 is a front elevational view of the display rack of FIG. 7;

FIG. 10 is a rear elevational view of the display rack of FIG. 7;

FIG. 11 is a bottom plan view of the display rack of FIG. 7;

FIG. 12 is a top plan view of the display rack of FIG. 7;

FIG. 13 is a fragmentary perspective view of a third embodiment of a display rack of our new design;

FIG. 14 is a side elevational view of the display rack of FIG. 13;

FIG. 15 is a fragmentary front elevational view of the display rack of FIG. 13;

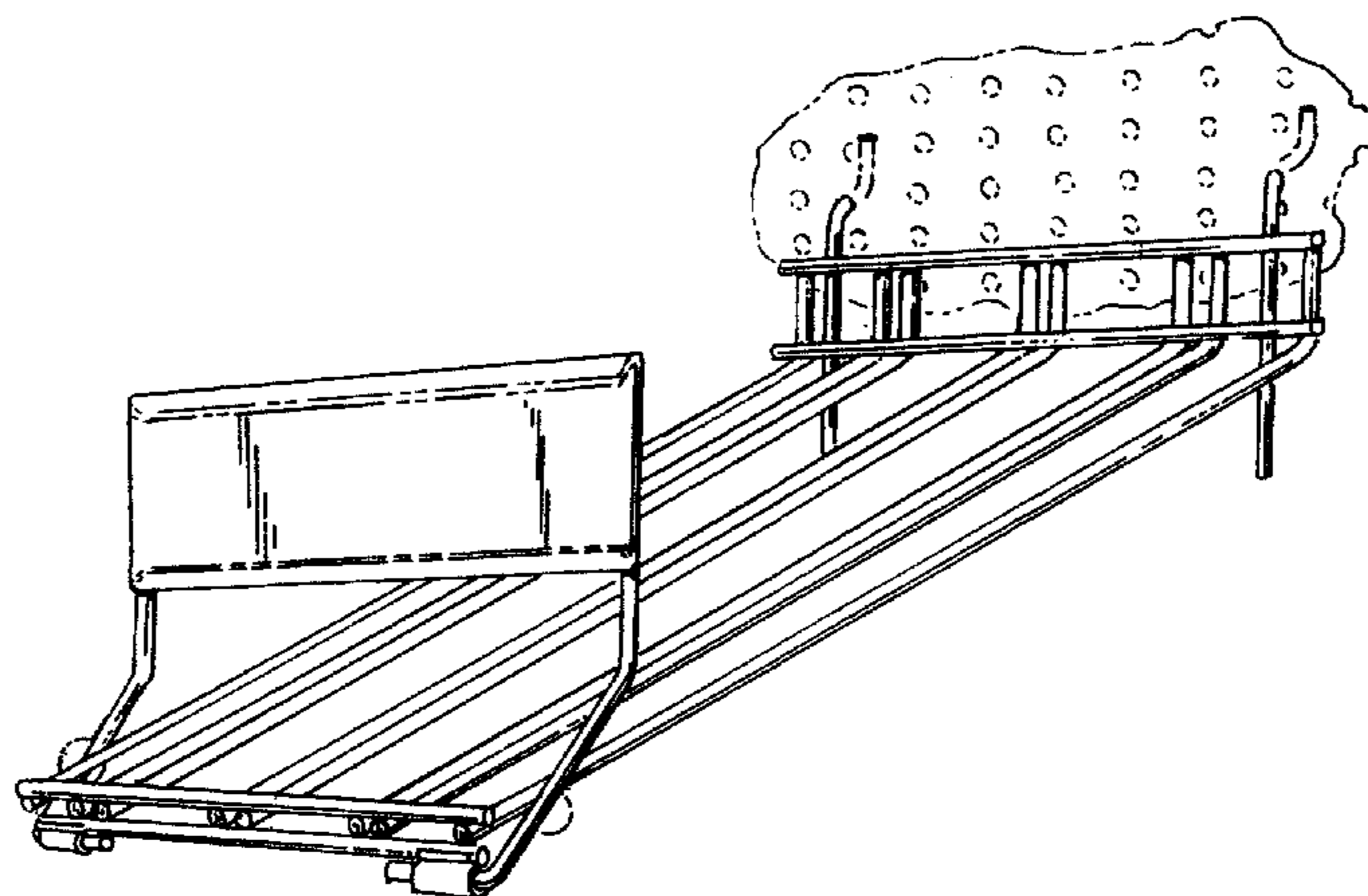
FIG. 16 is a fragmentary rear elevational view of the display rack of FIG. 13;

FIG. 17 is a fragmentary bottom plan view of the display rack of FIG. 13; and,

FIG. 18 is a fragmentary top plan view of the display rack of FIG. 13.

The broken lines in FIGS. 1-18 are for illustrative purposes only and form no part of the claimed design. In FIGS. 1, 7, and 13, the portion of the broken lines at the right illustrating a wall-like structure to which the display rack is mounted is to show an exemplary environment and is for illustrative purposes and forms no part of the claimed design. In FIGS. 13-18, the drawings are being broken away because no particular width is claimed.

1 Claim, 6 Drawing Sheets



US D547,955 S

Page 2

U.S. PATENT DOCUMENTS

4,072,246	A *	2/1978	Paulin	221/307	5,641,083	A *	6/1997	Metcalf	211/187
D275,434	S *	9/1984	Taub	D6/511	6,092,674	A *	7/2000	Rothstein et al.	211/59.1
4,694,966	A *	9/1987	Sorenson et al.	211/88.01	D458,501	S *	6/2002	Battaglia et al.	D6/566
5,133,463	A *	7/1992	Merl	211/190	6,612,448	B2 *	9/2003	Plutsky	211/43
D330,987	S *	11/1992	Rosenthal	D6/566	D533,002	S *	12/2006	Recknagel et al.	D6/566
5,449,076	A *	9/1995	Van Noord	211/59.3	2006/0113261	A1 *	6/2006	Recknagel et al.	211/59.1

* cited by examiner

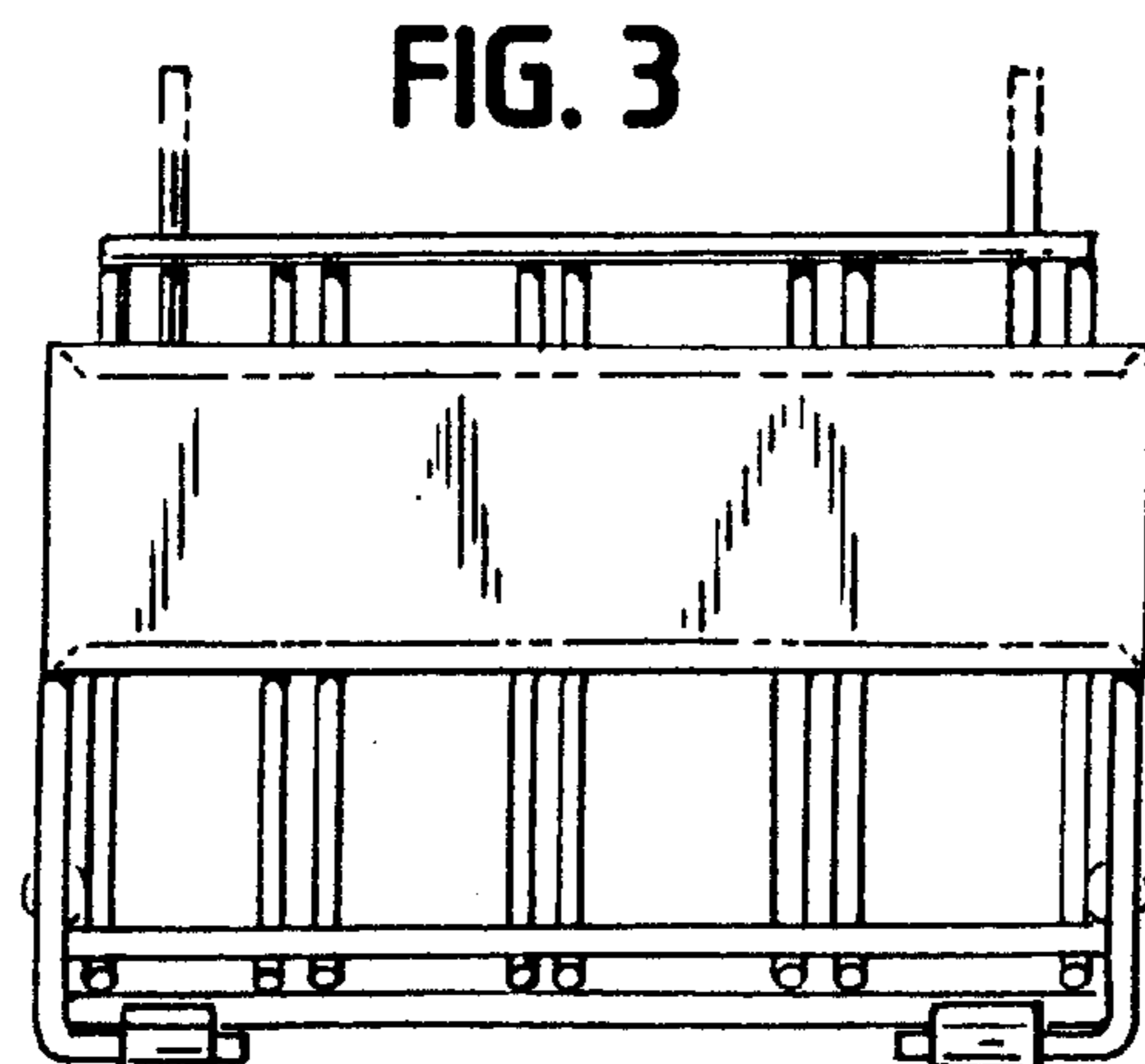
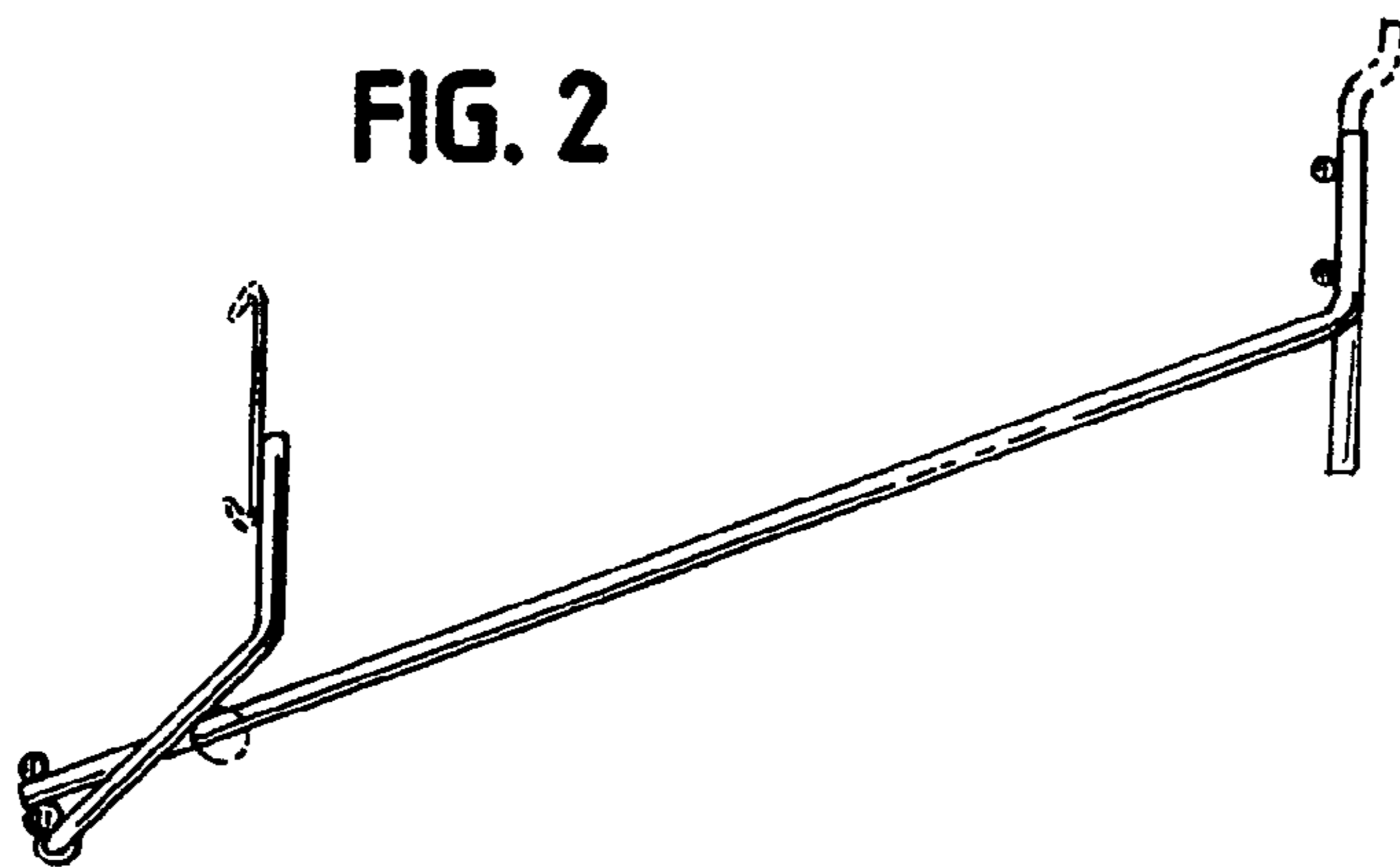
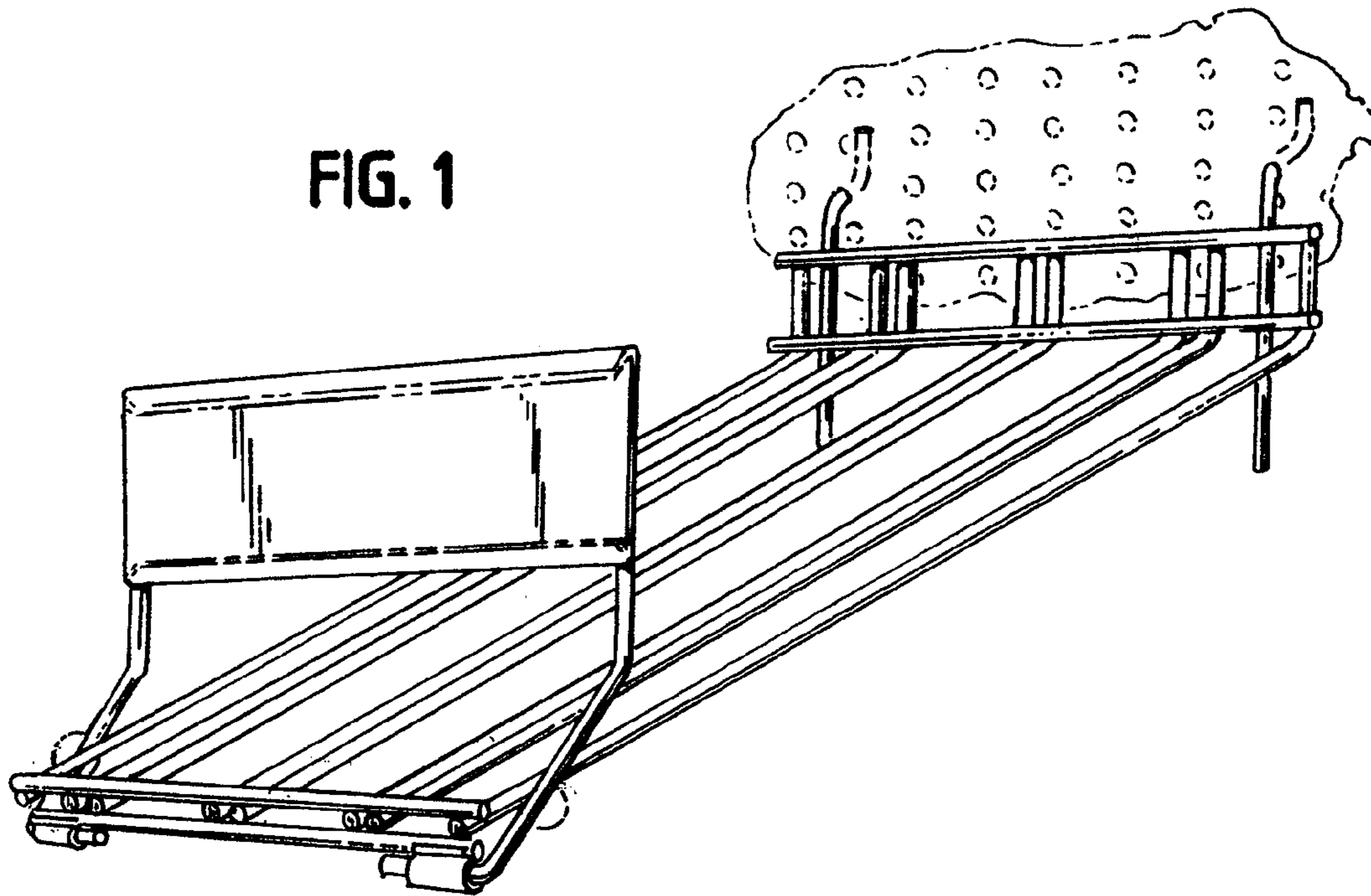


FIG. 4

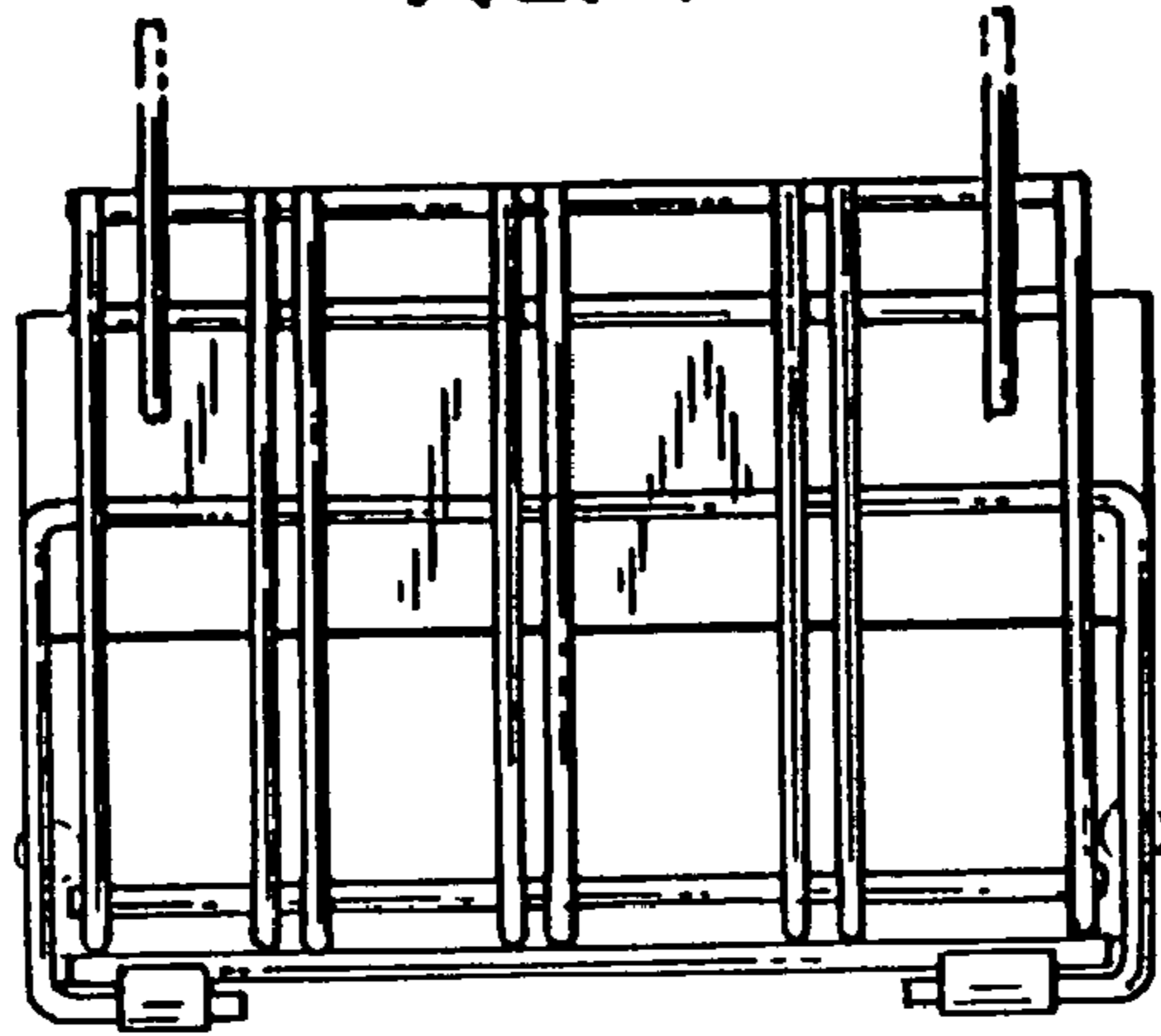


FIG. 5

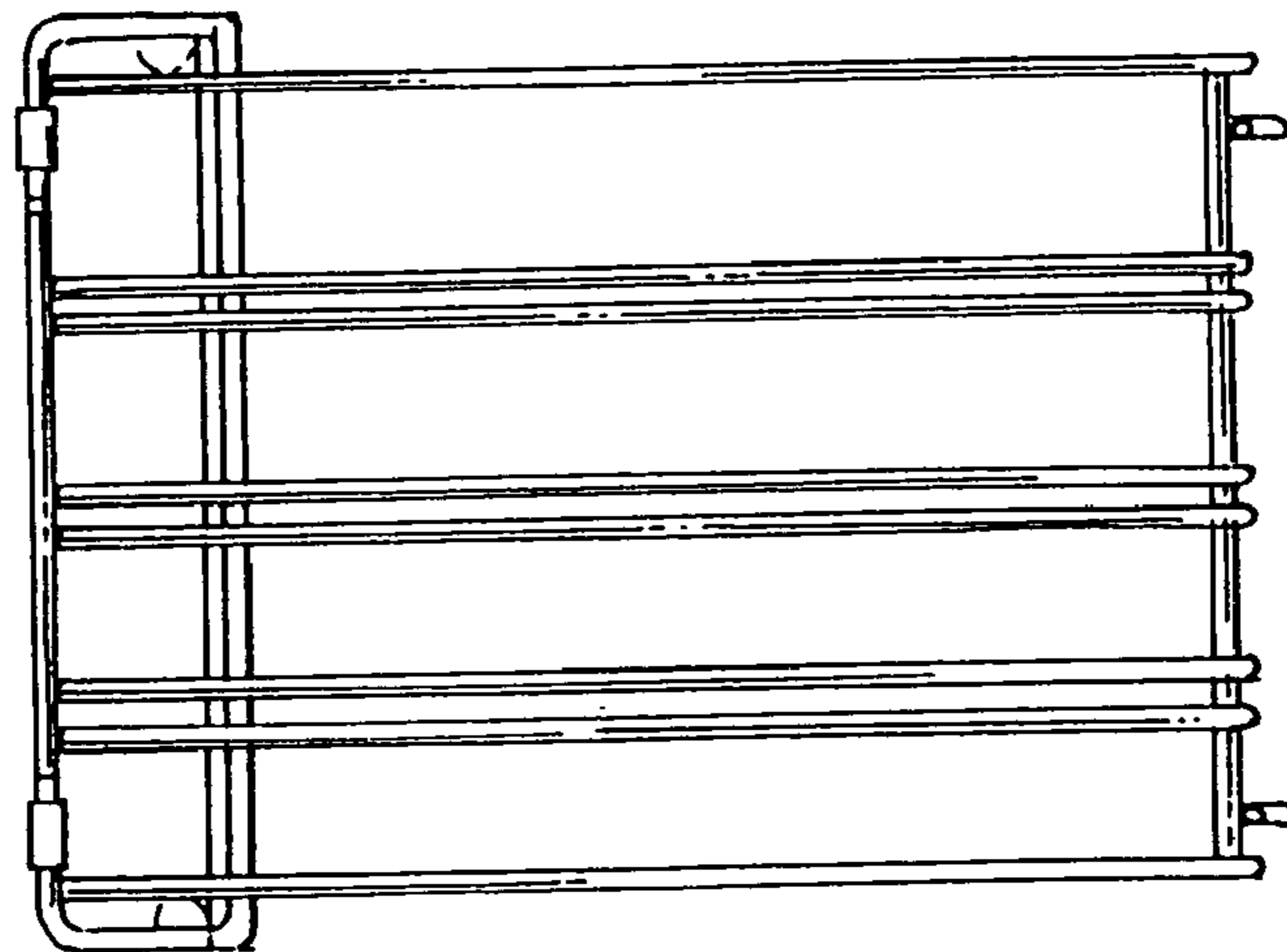
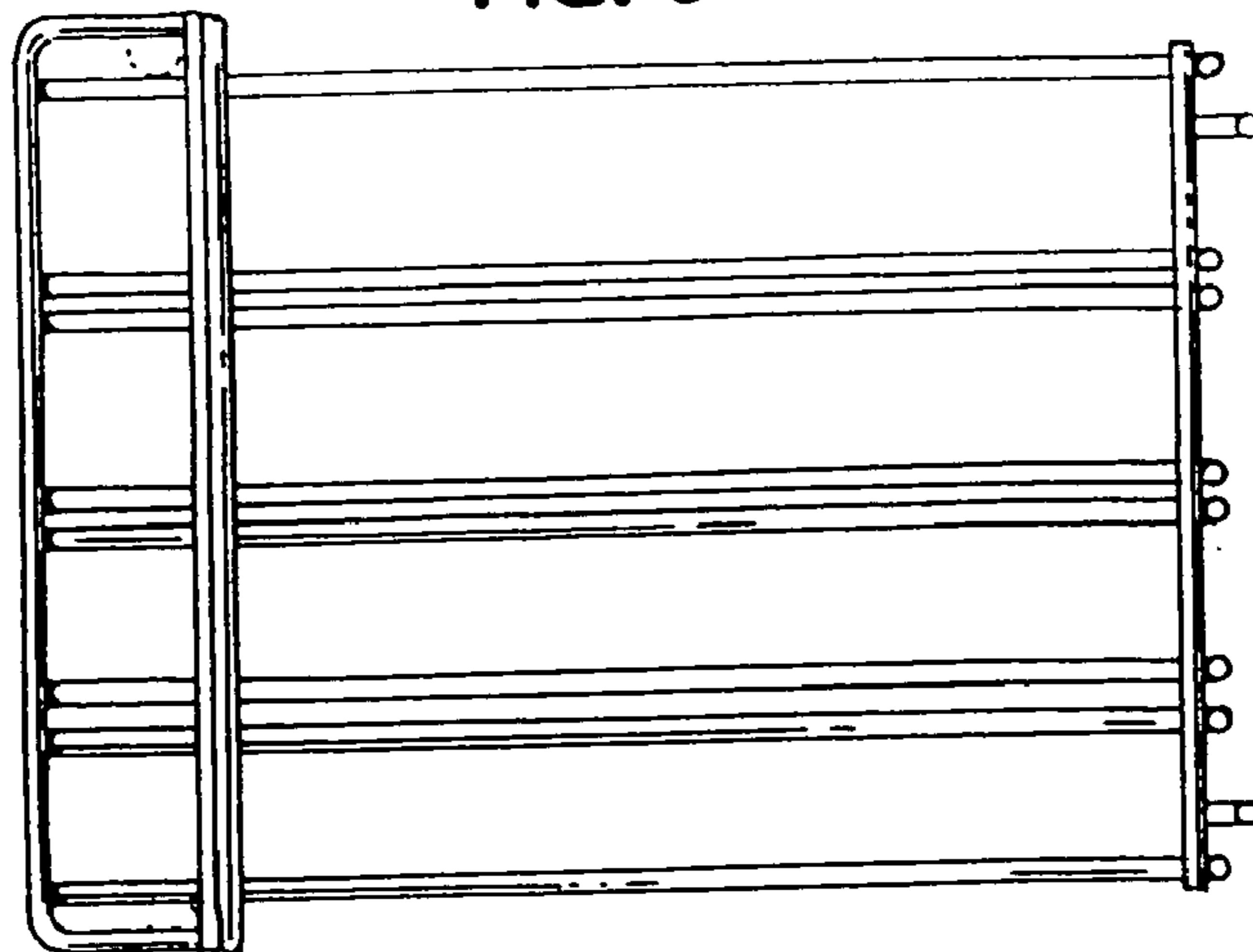


FIG. 6



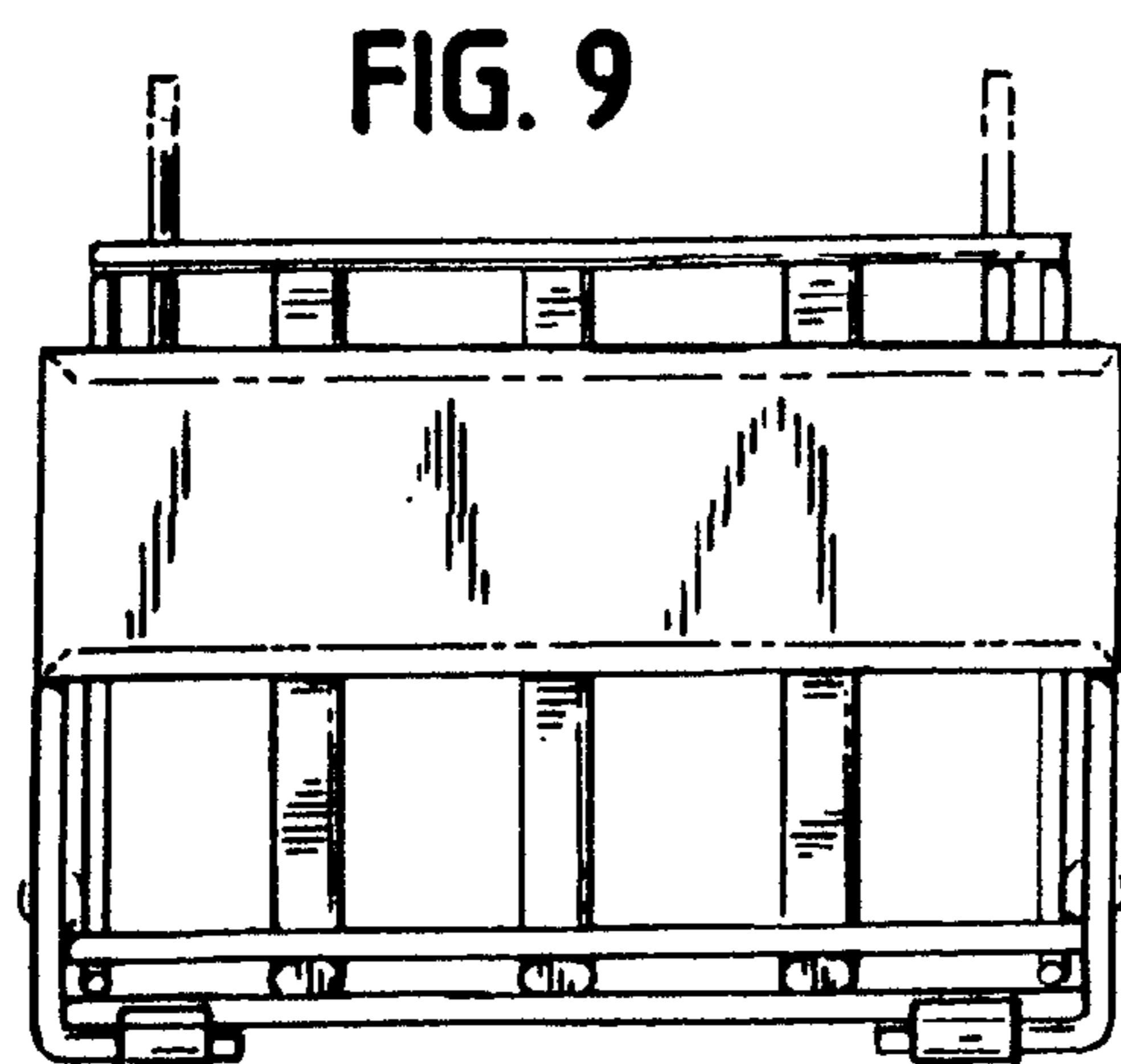
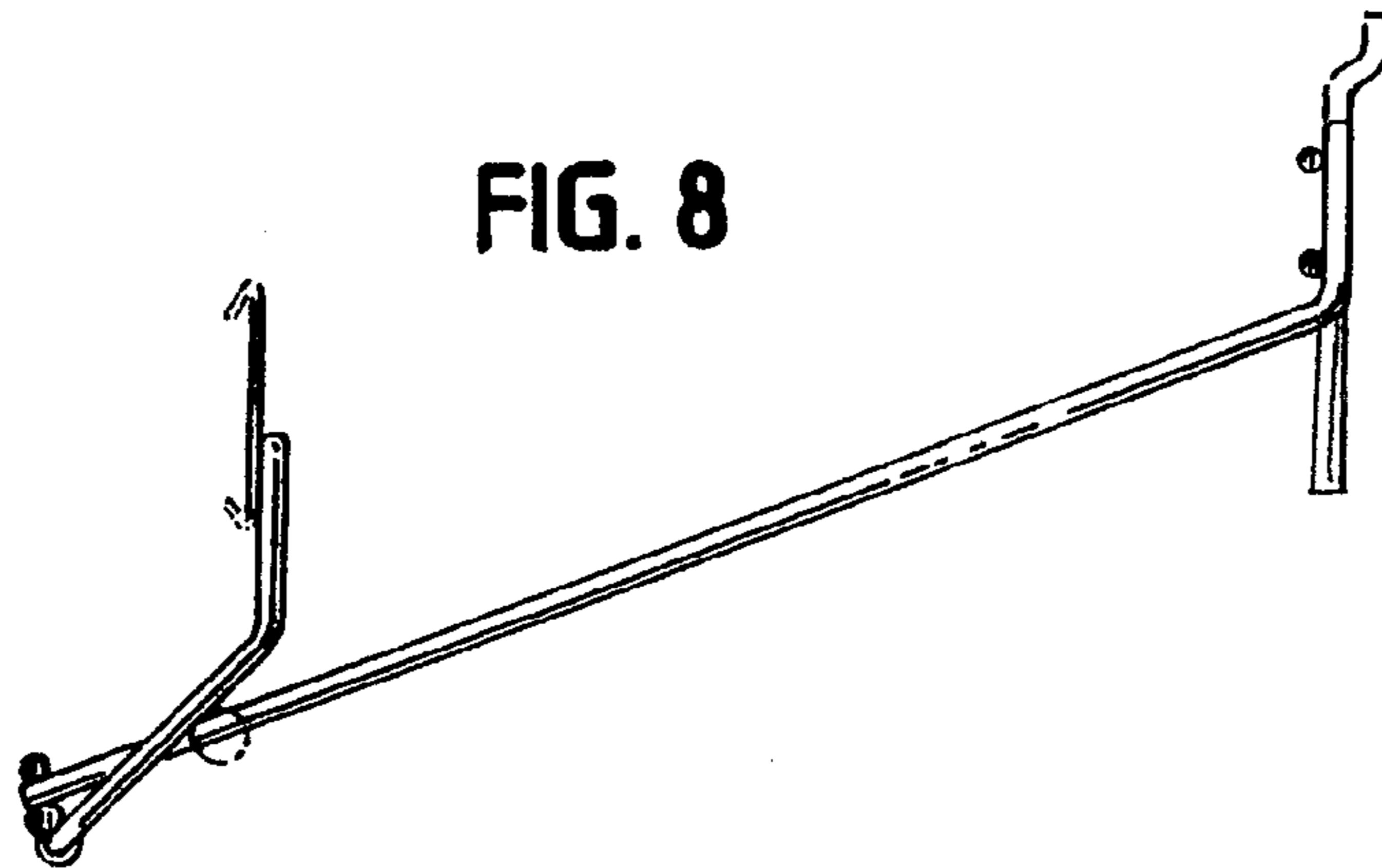
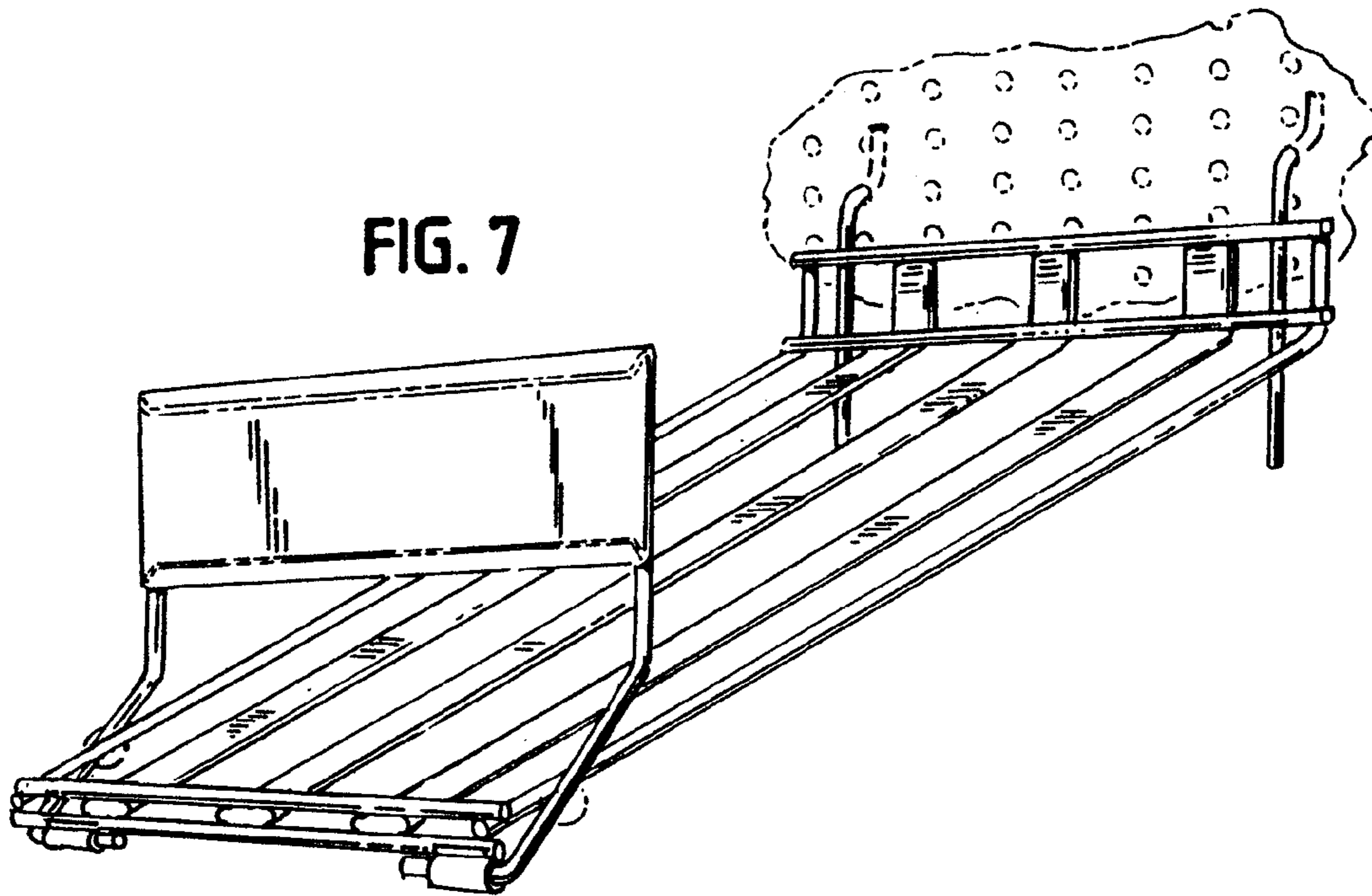


FIG. 10

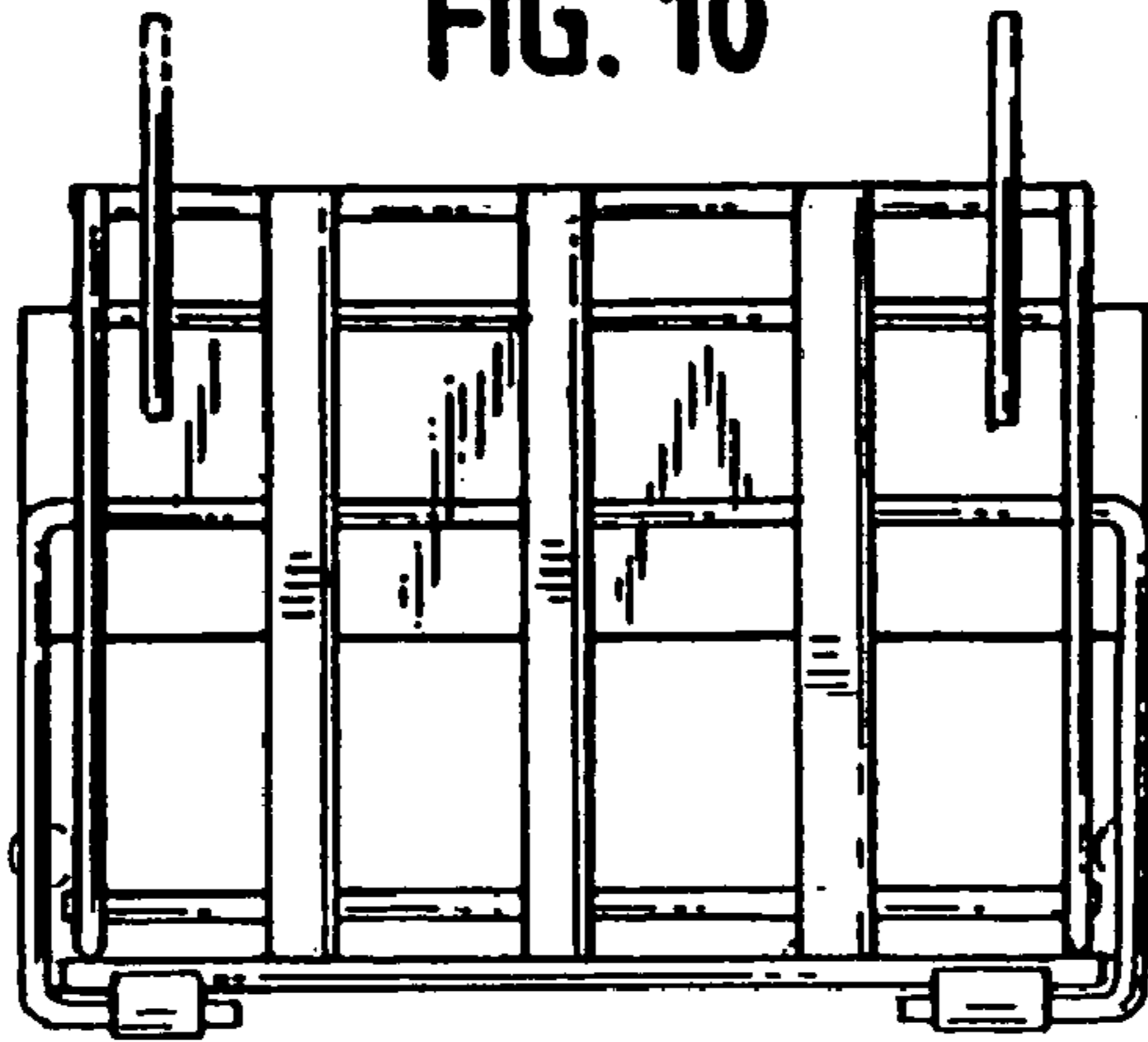


FIG. 11

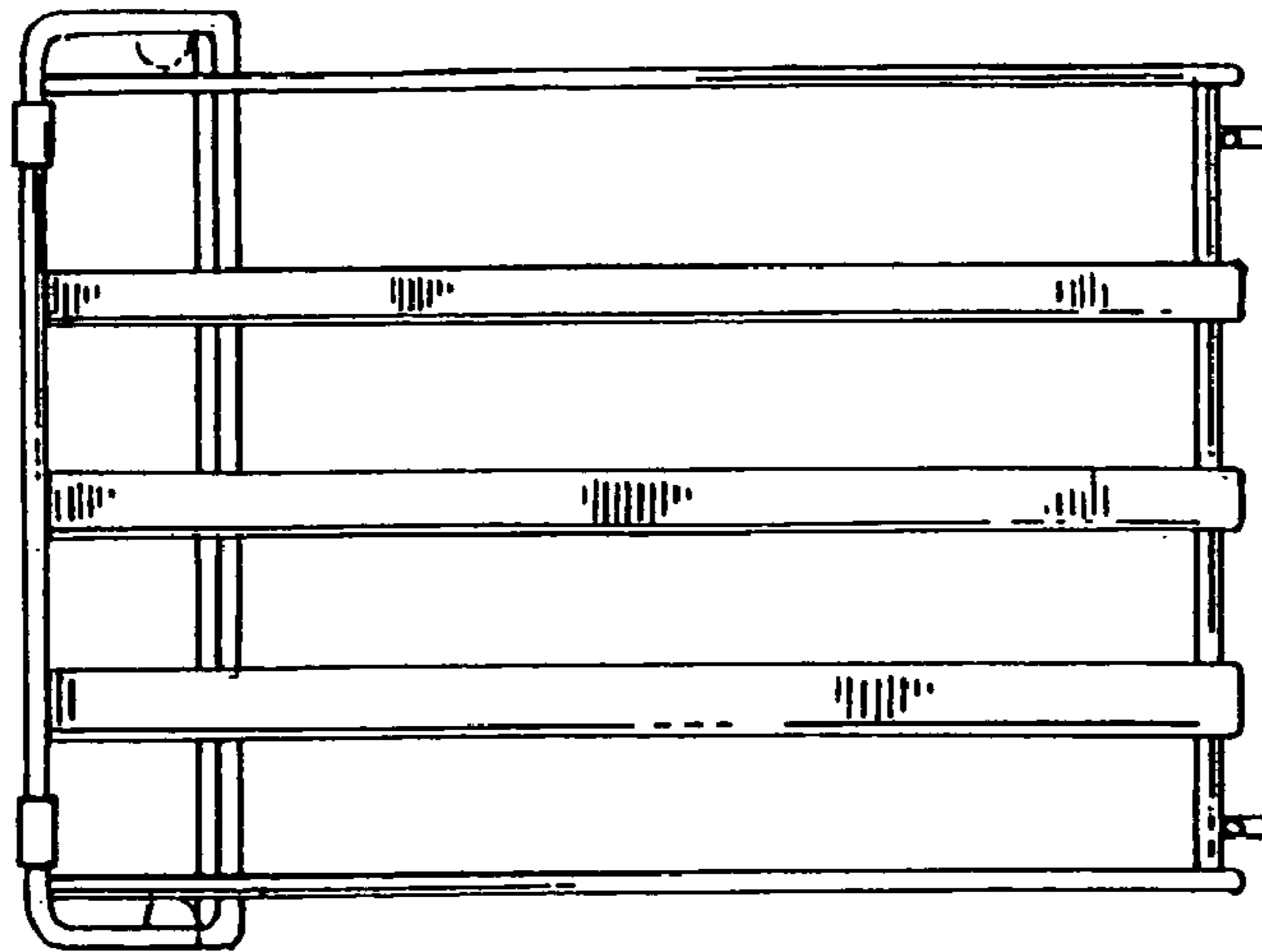


FIG. 12

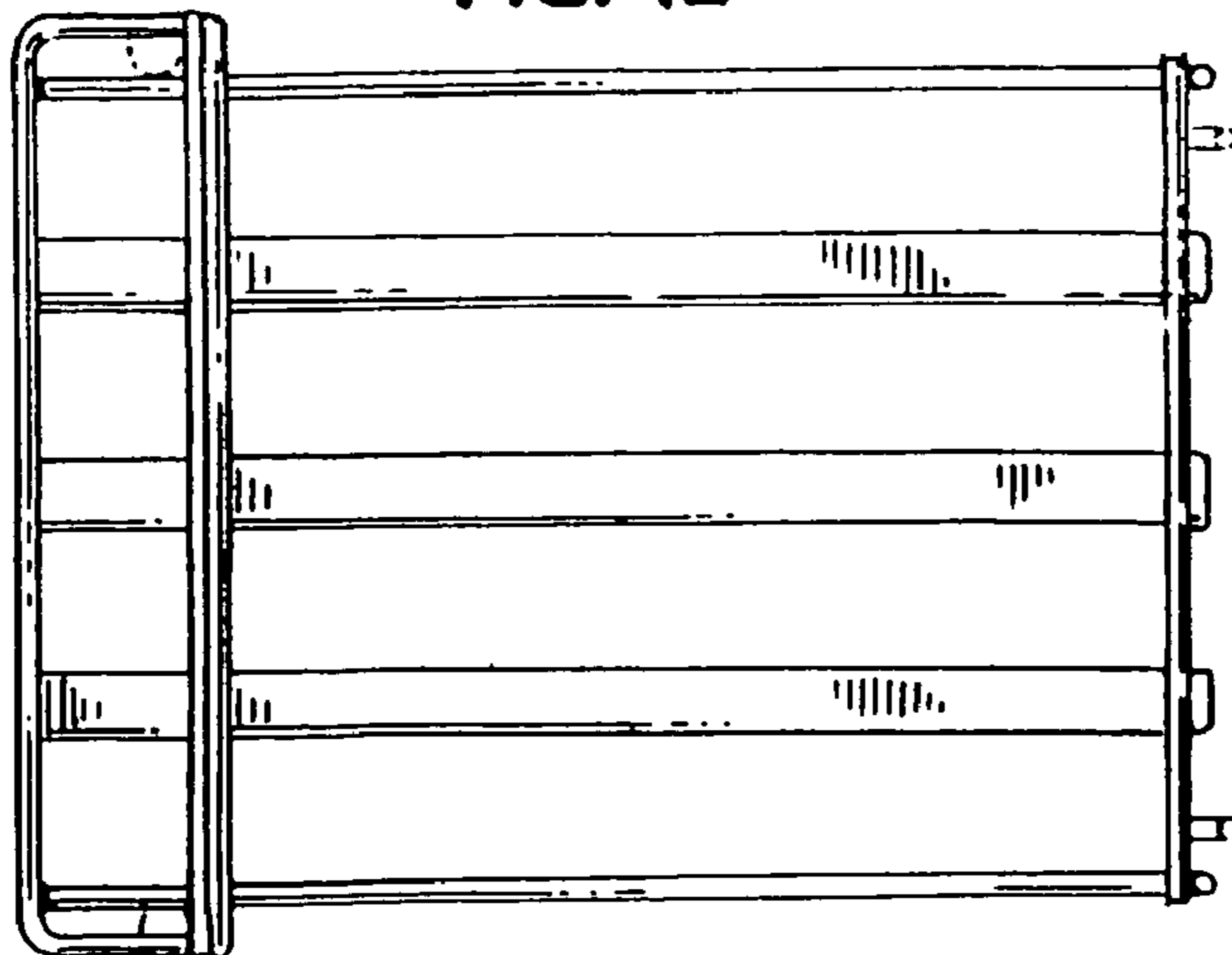


FIG. 13

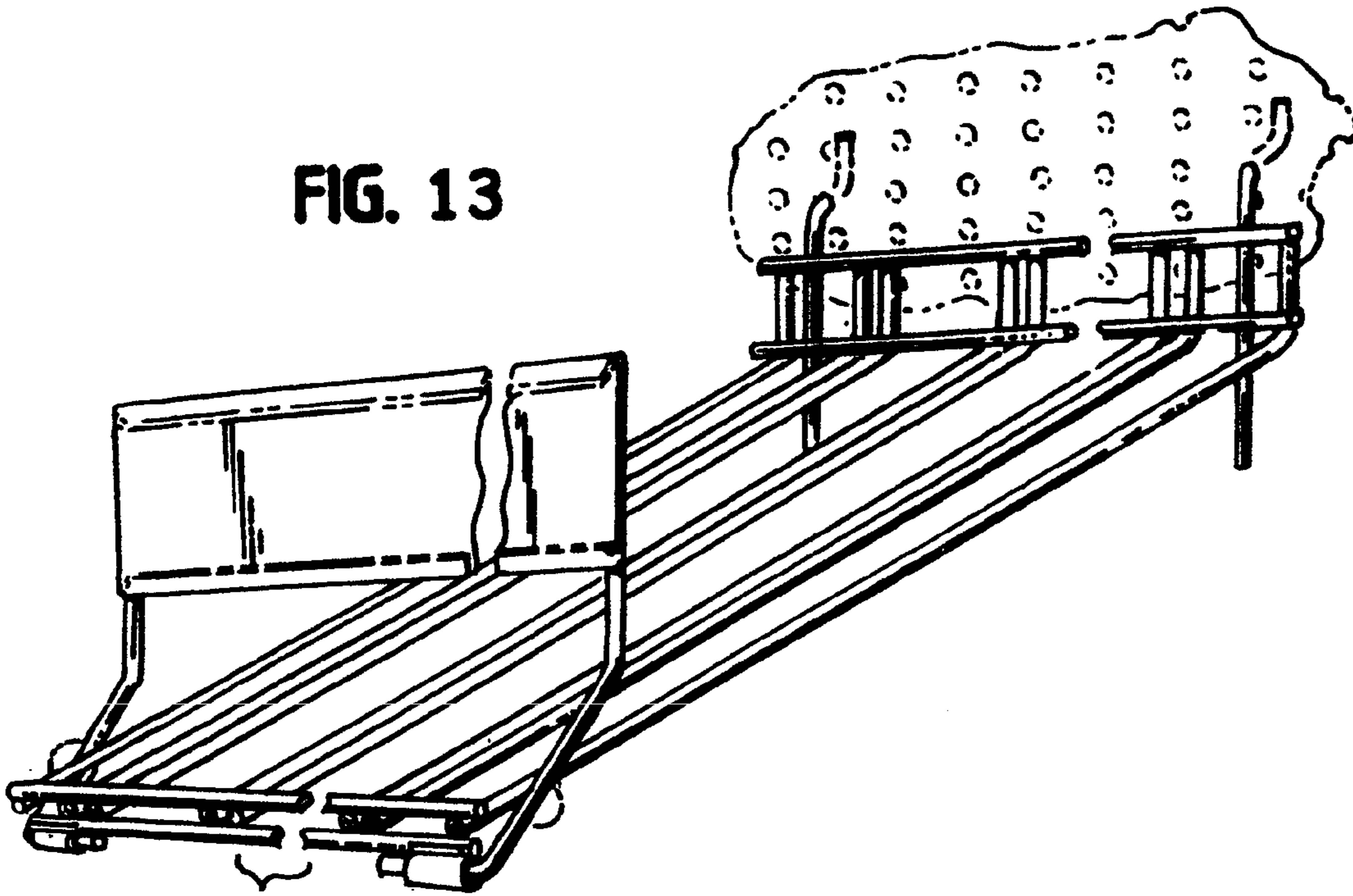


FIG. 14

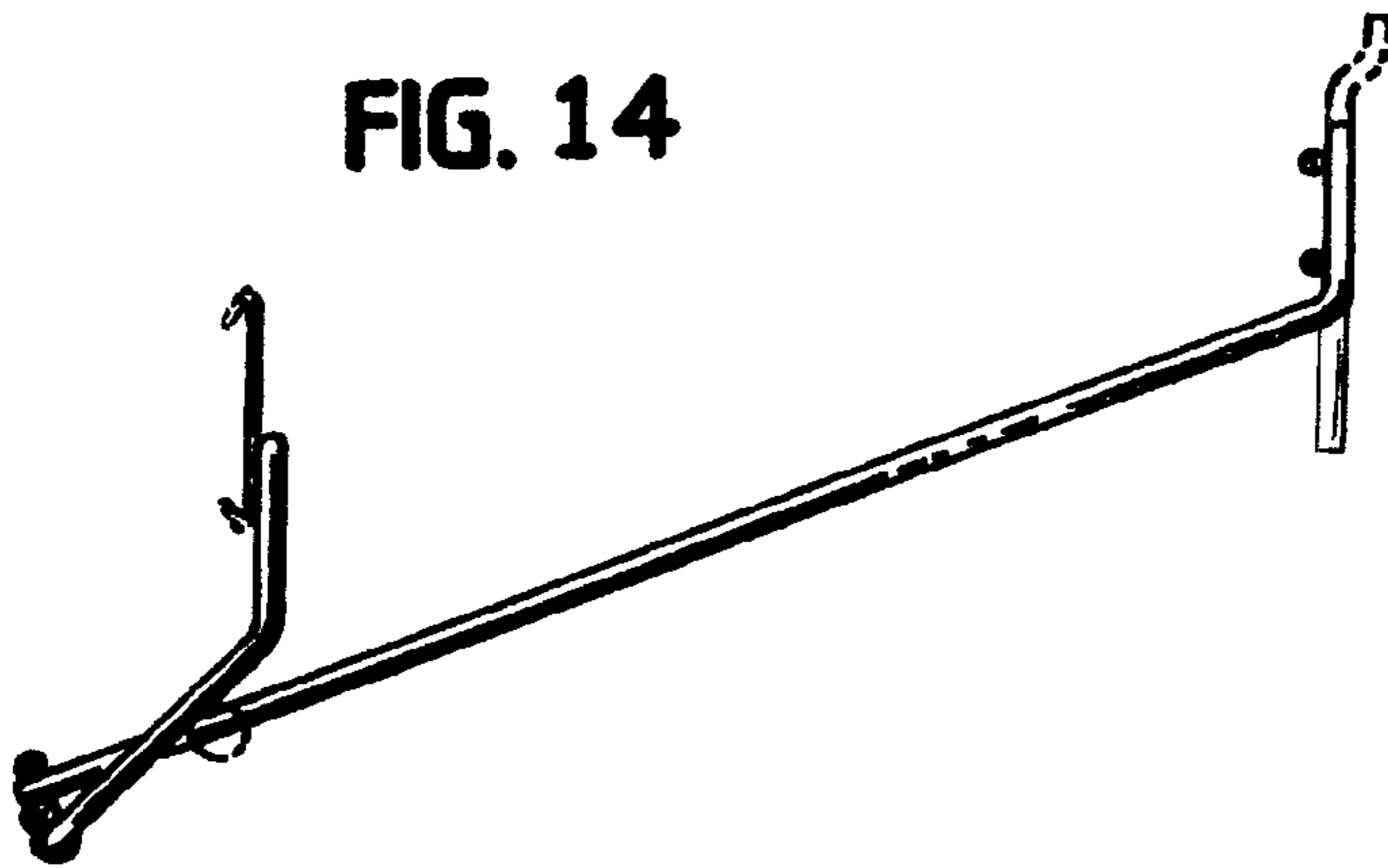


FIG. 15

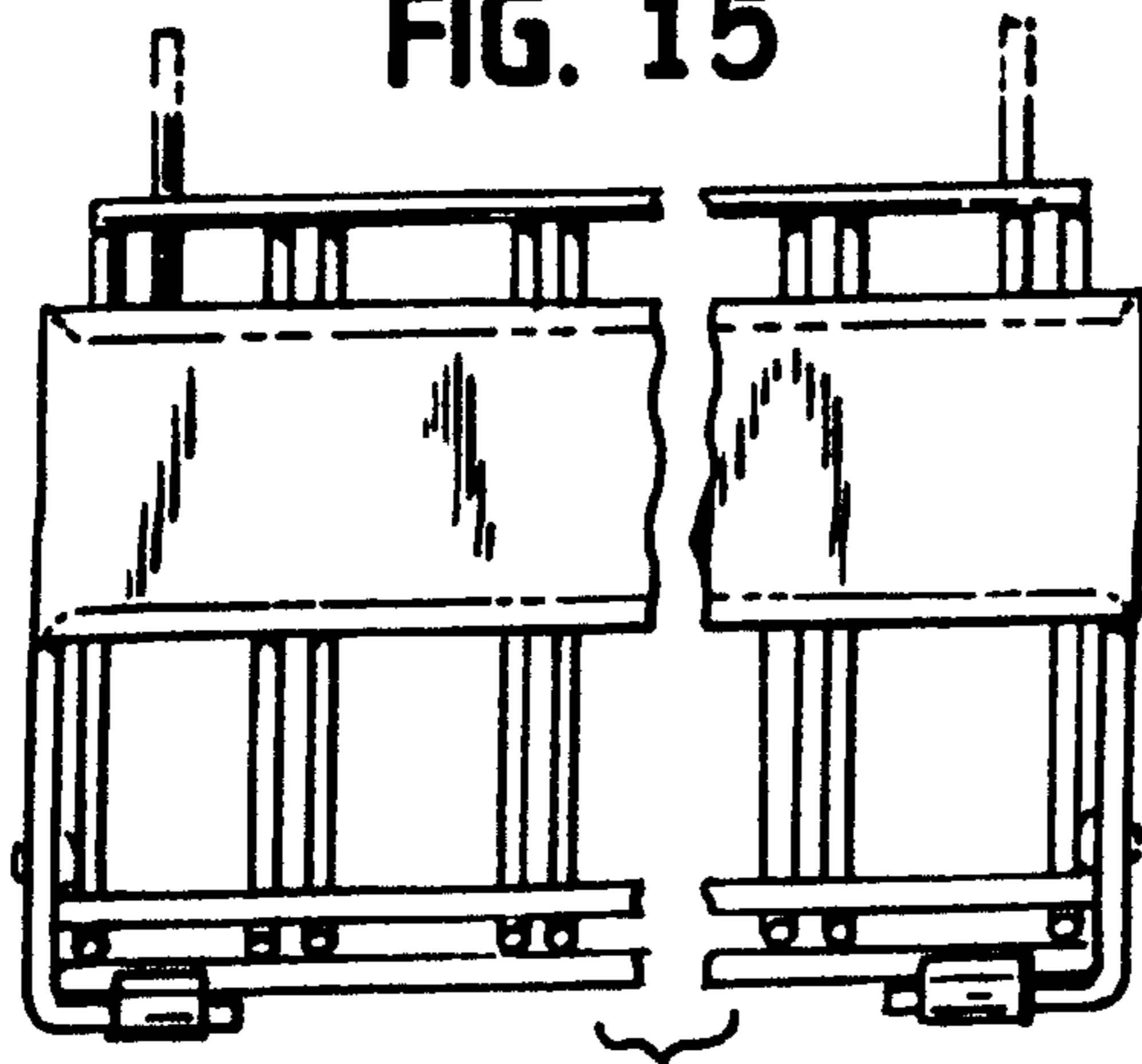


FIG. 16

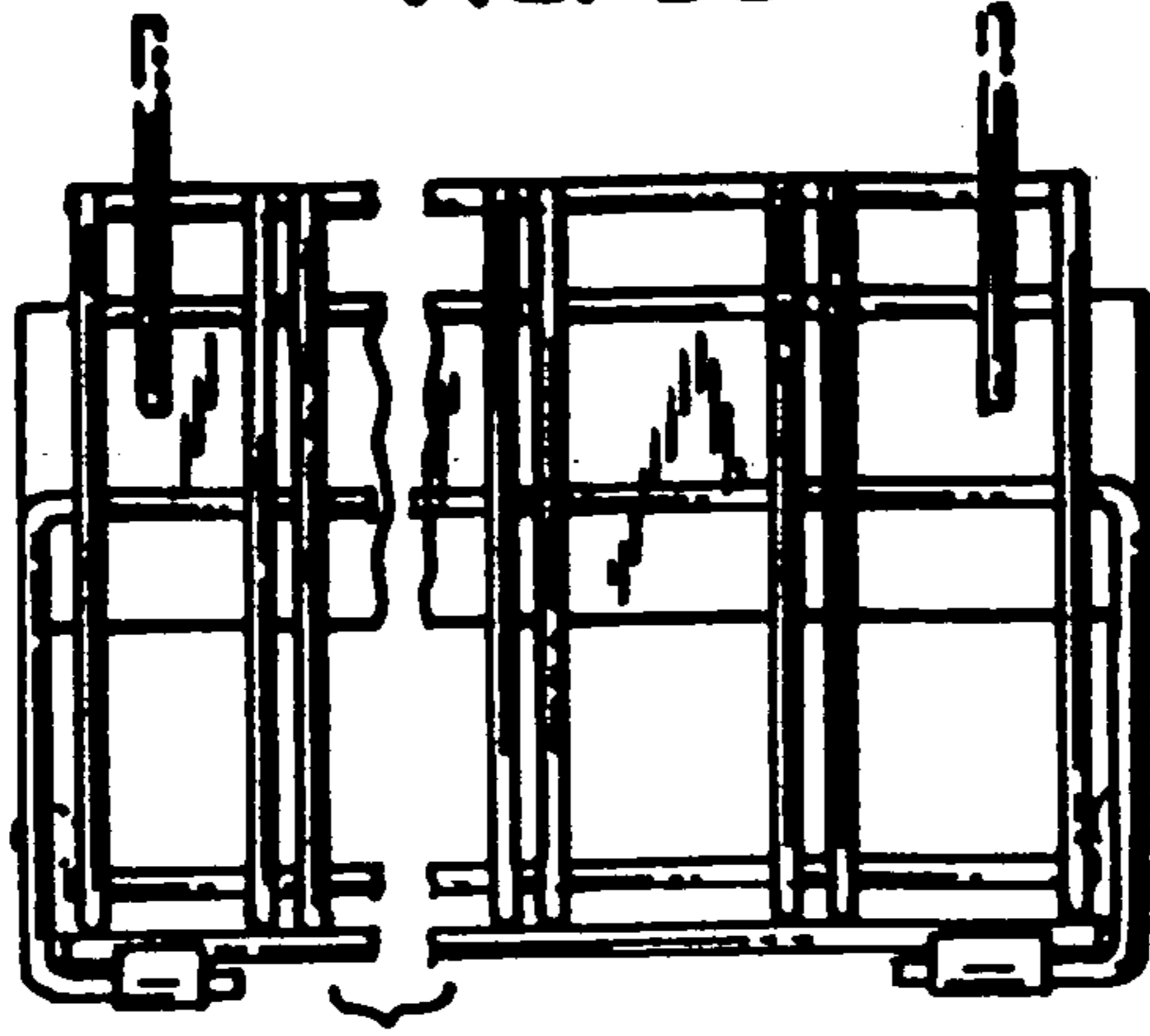


FIG. 17

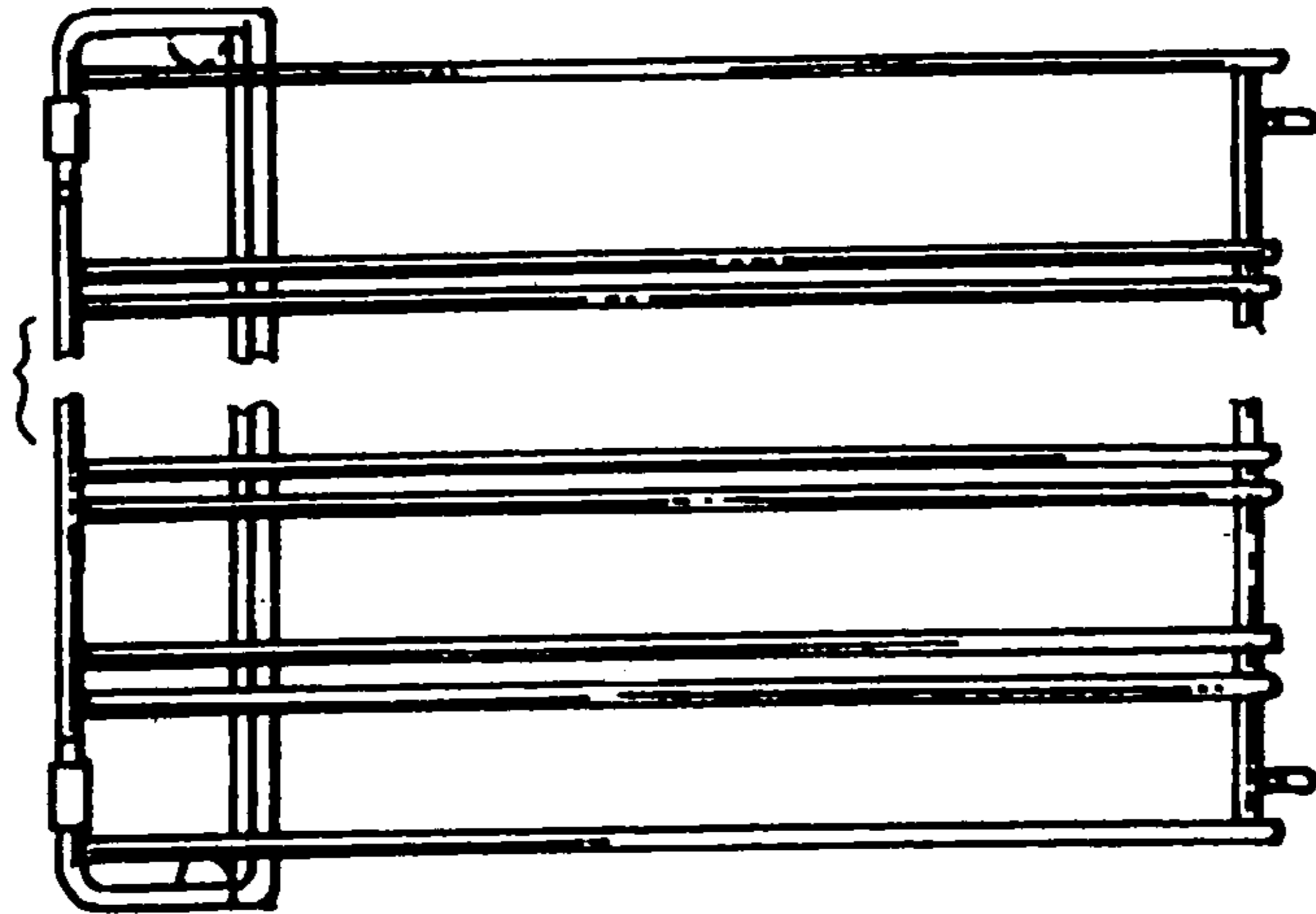


FIG. 18

