

US00D547941S

(12) **United States Design Patent** (10) **Patent No.:** **US D547,941 S**  
**Lucena** (45) **Date of Patent:** **\*\* Aug. 7, 2007**

(54) **BACKPACK WITH COOLER**

(76) Inventor: **Klibsonia Lucena**, 7869 SW. 102nd La., Miami, FL (US) 33156

(\*\*) Term: **14 Years**

(21) Appl. No.: **29/256,515**

(22) Filed: **Mar. 20, 2006**

(51) **LOC (8) Cl.** ..... **03-01**

(52) **U.S. Cl.** ..... **D3/217; D7/605**

(58) **Field of Classification Search** ..... D3/216, D3/217, 221, 224, 254, 273, 276, 283, 289, D3/293, 299, 301, 321, 327; 224/153, 257, 224/259; D7/605-608, 709; 220/915.1, 220/915.2

See application file for complete search history.

(56) **References Cited**

**U.S. PATENT DOCUMENTS**

D256,630	S	*	9/1980	Maney	.....	D7/605
D281,119	S	*	10/1985	Kalkus	.....	D7/605
D284,620	S	*	7/1986	Calton	.....	D7/605
4,940,173	A	*	7/1990	Jacober	.....	224/153
D374,979	S	*	10/1996	Roberson et al.	.....	D3/217
D375,622	S	*	11/1996	Croft	.....	D3/217
D402,460	S	*	12/1998	Moor	.....	D3/217
D408,133	S	*	4/1999	Francis et al.	.....	D3/214
D409,376	S	*	5/1999	Golenz et al.	.....	D3/217
D411,352	S	*	6/1999	Golenz et al.	.....	D3/301
5,964,384	A	*	10/1999	Young	.....	224/153

6,015,072	A	*	1/2000	Young	.....	224/153
D432,298	S	*	10/2000	Markowitz	.....	D3/217
D446,008	S	*	8/2001	Schulze	.....	D3/216
6,336,577	B1	*	1/2002	Harris et al.	.....	224/153
D457,306	S	*	5/2002	Szyf	.....	D3/217
D530,983	S	*	10/2006	Krieger et al.	.....	D7/605
2005/0045673	A1	*	3/2005	Godshaw et al.	.....	224/153

\* cited by examiner

*Primary Examiner*—Carol Rademaker  
*Assistant Examiner*—Anna Burmeister

(57) **CLAIM**

The ornamental design for a backpack with cooler, as shown and described.

**DESCRIPTION**

FIG. 1 is a front elevational view of the backpack with cooler, shown in an exploded condition;

FIG. 2 is a back elevational view thereof;

FIG. 3 is a right side elevational view thereof;

FIG. 4 is a left side elevational view thereof;

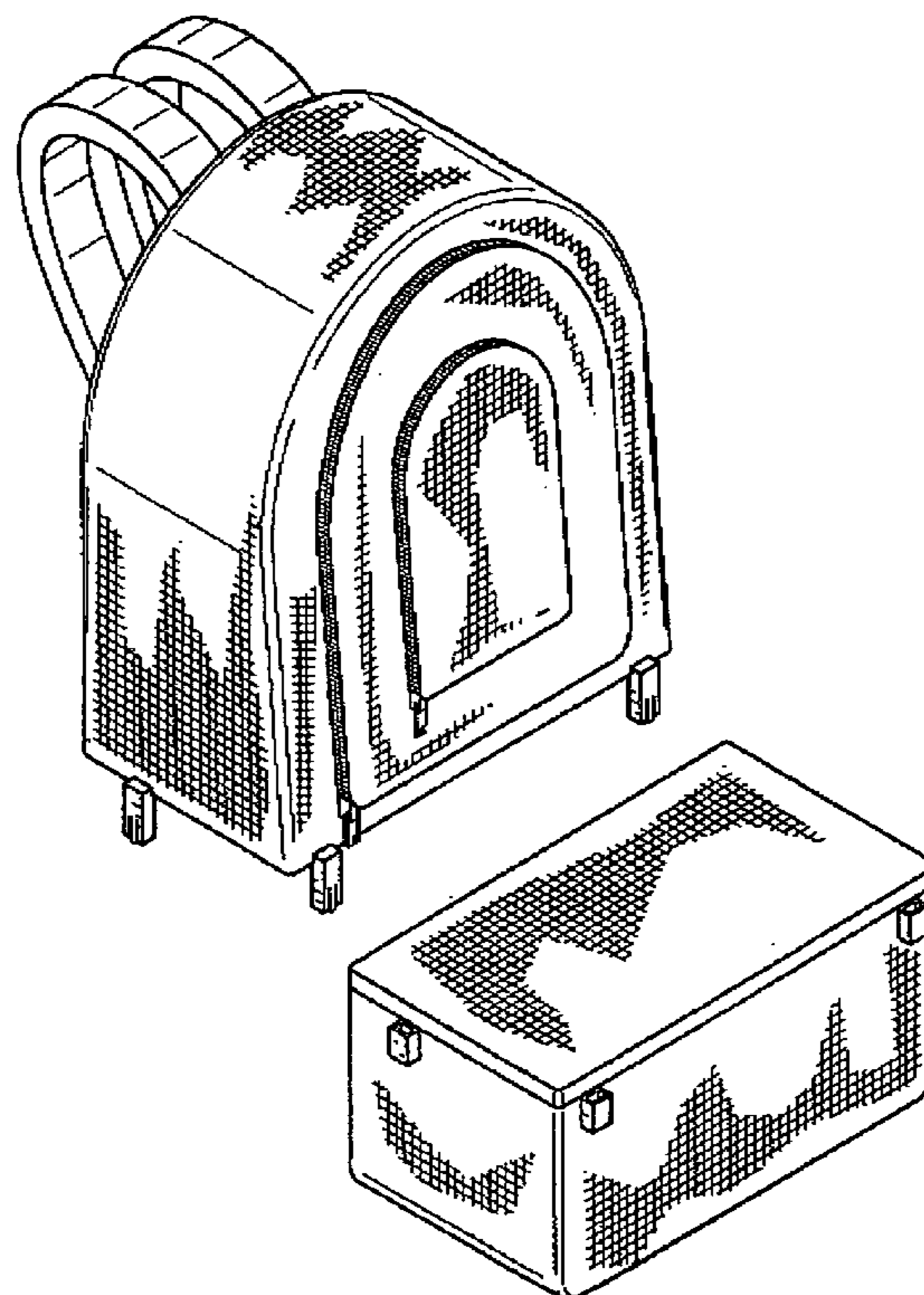
FIG. 5 is a top plan view thereof;

FIG. 6 is a bottom plan view thereof; and,

FIG. 7 is a top, front, left side perspective view thereof.

The cross-hatched pattern shading shown on the drawings represents a textured, fabric surface.

**1 Claim, 4 Drawing Sheets**



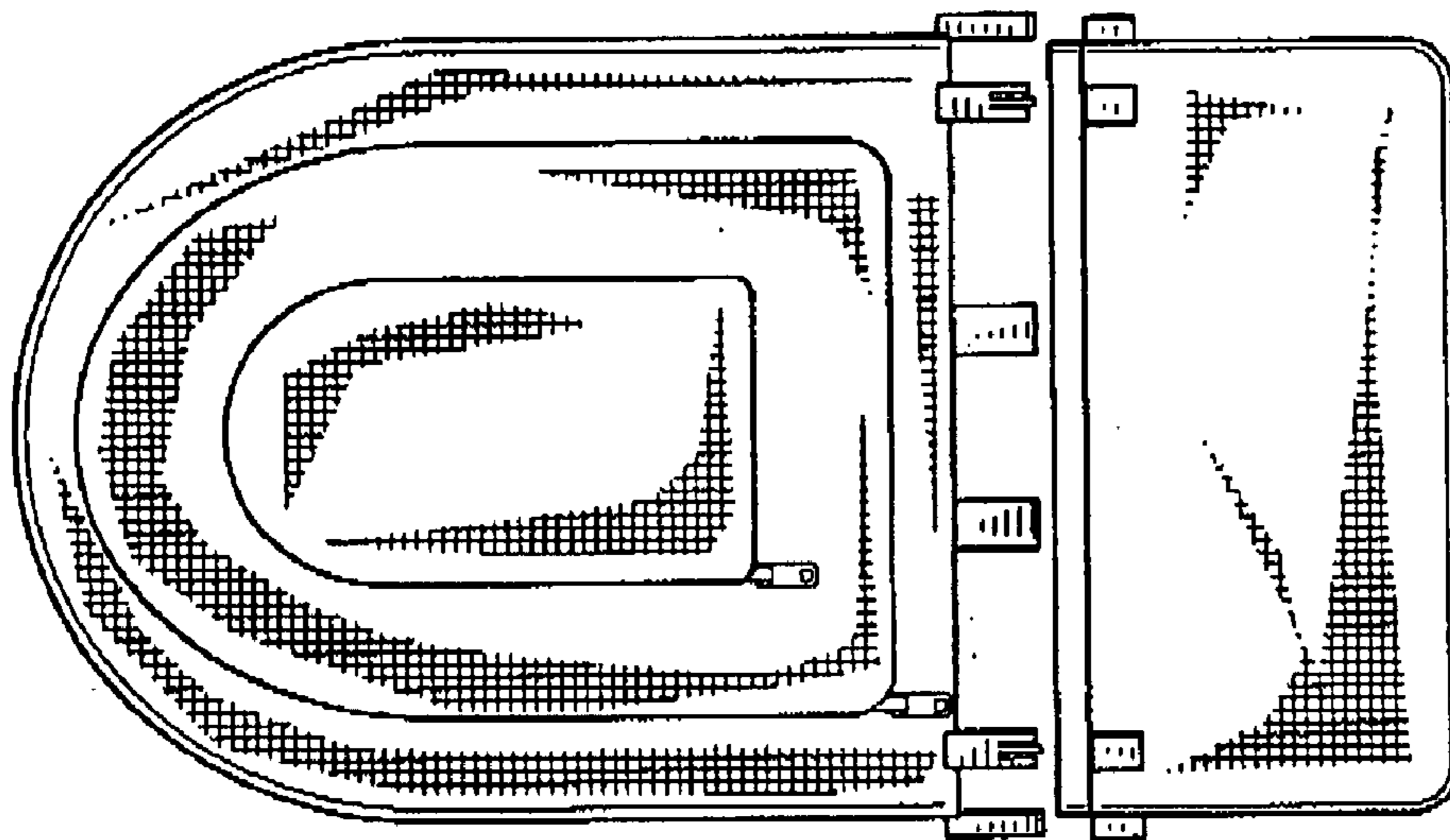


FIG. 1

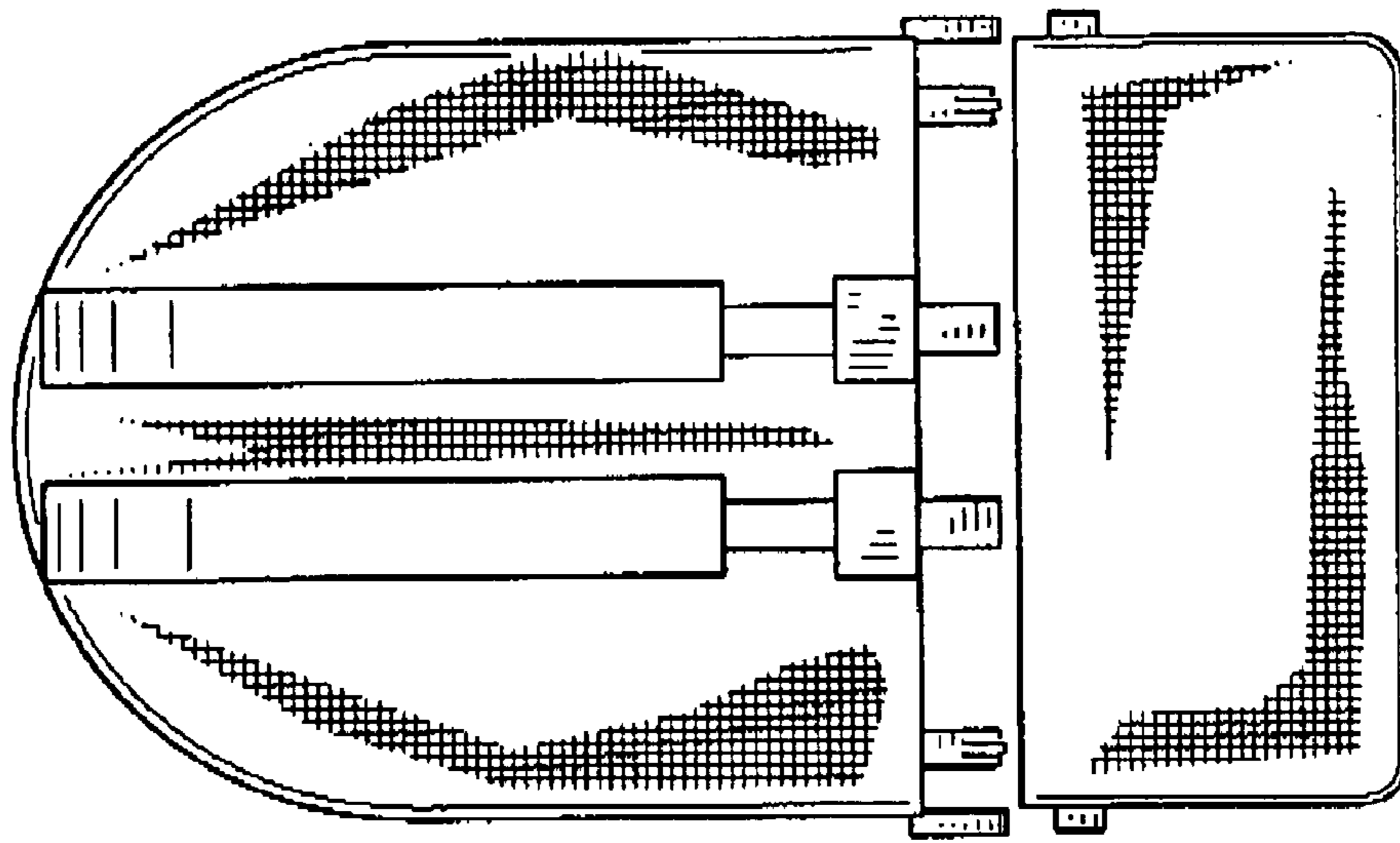


FIG. 2

FIG. 3

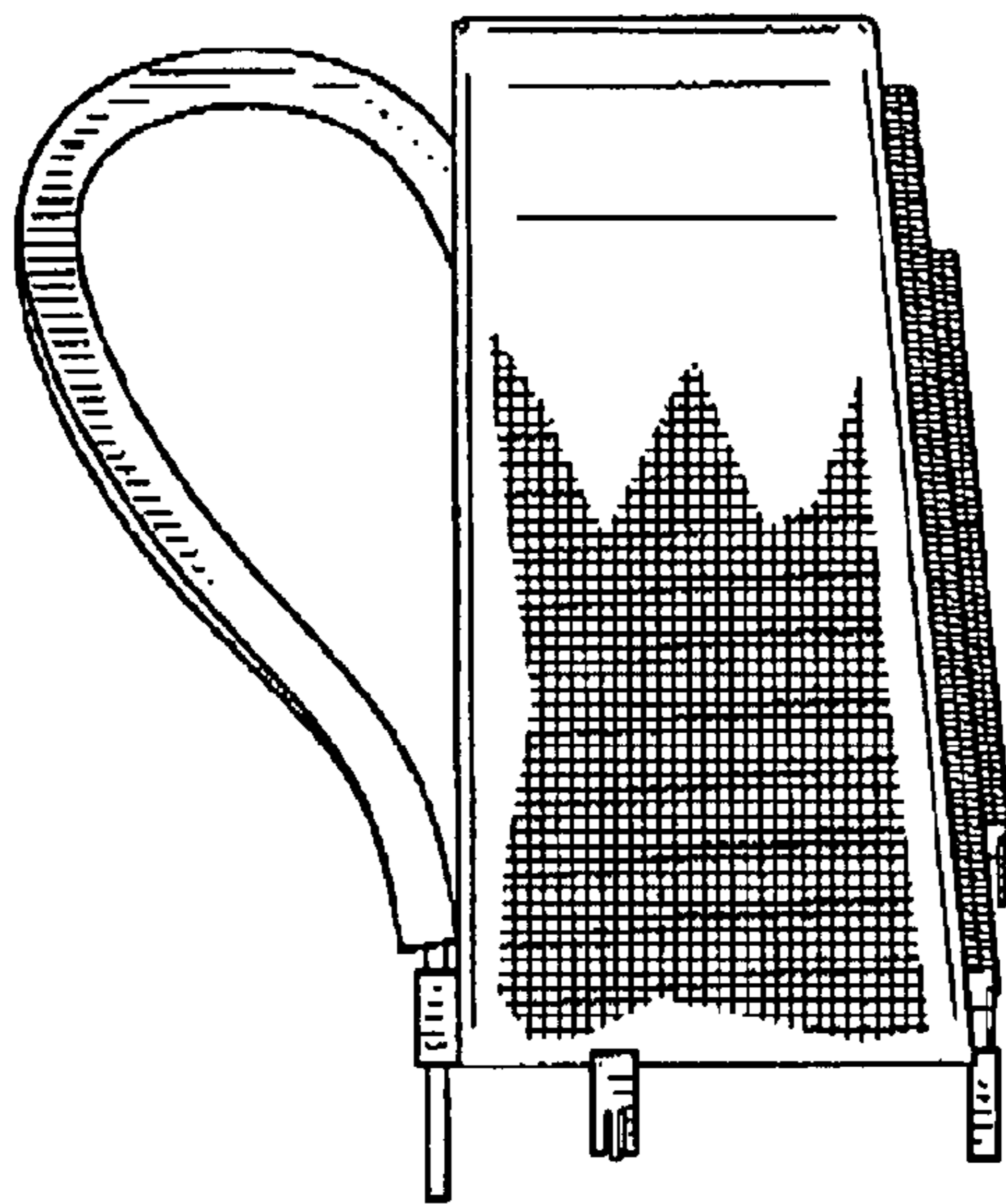
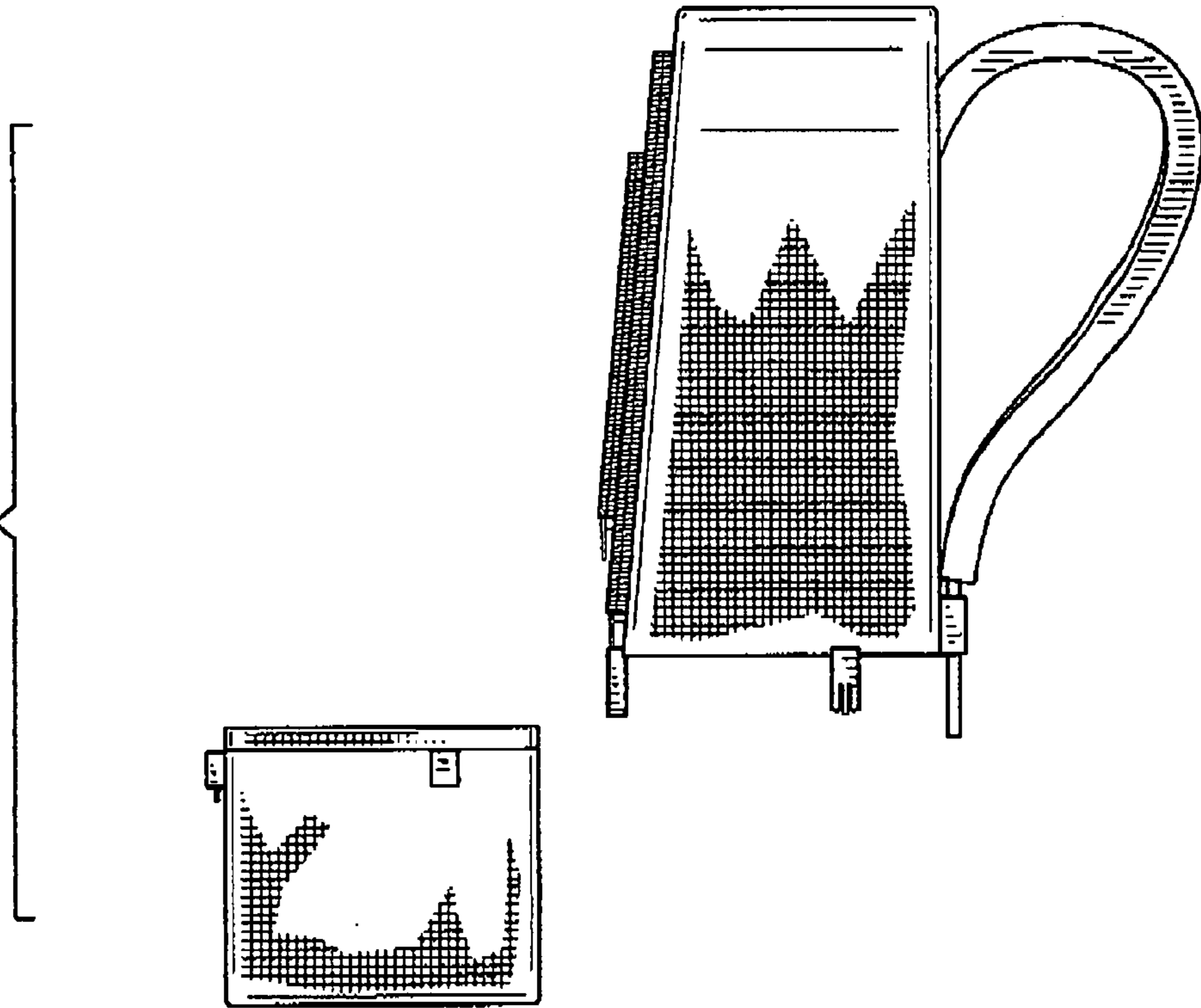


FIG. 4

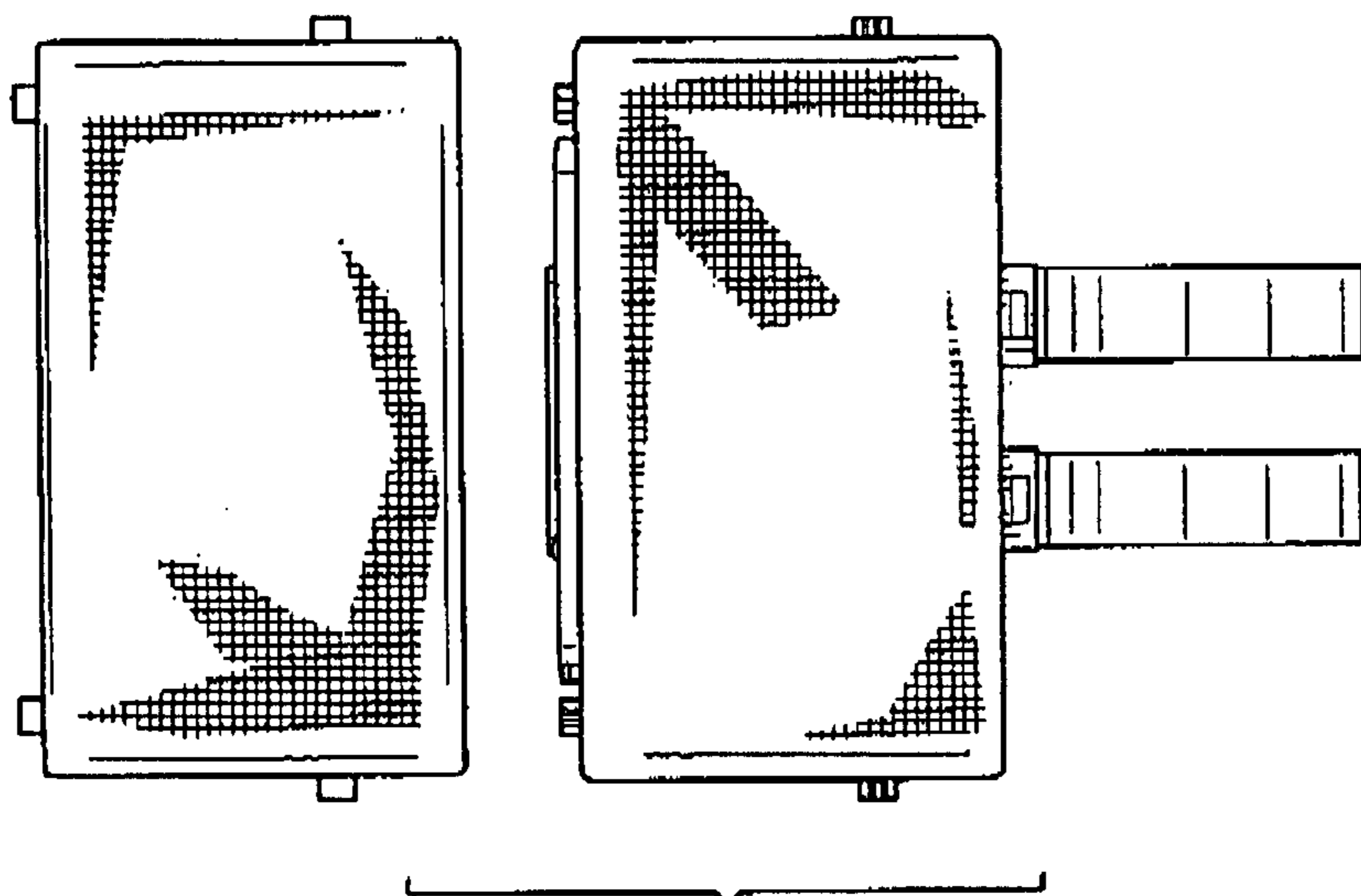


FIG. 5

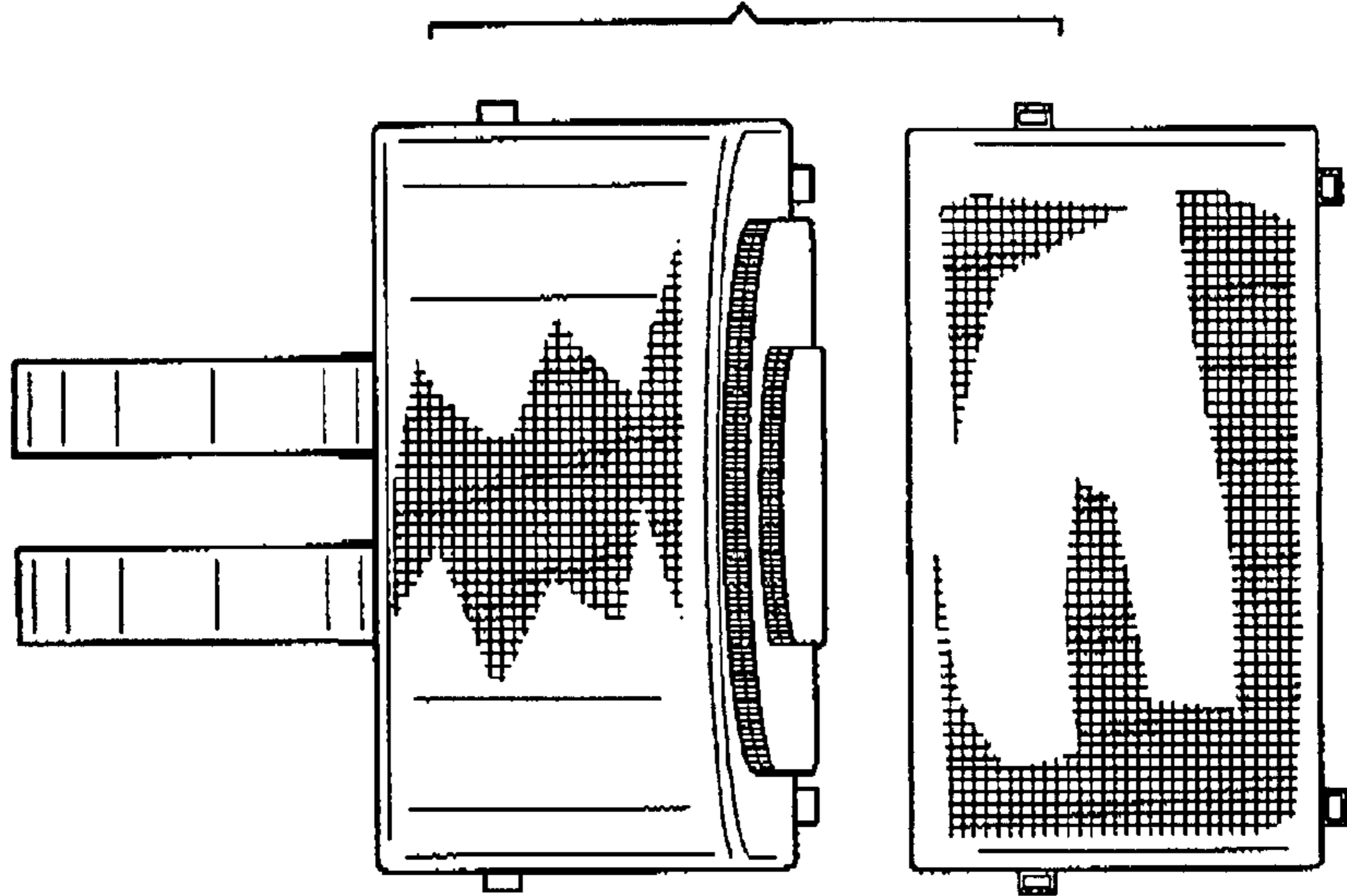


FIG. 6



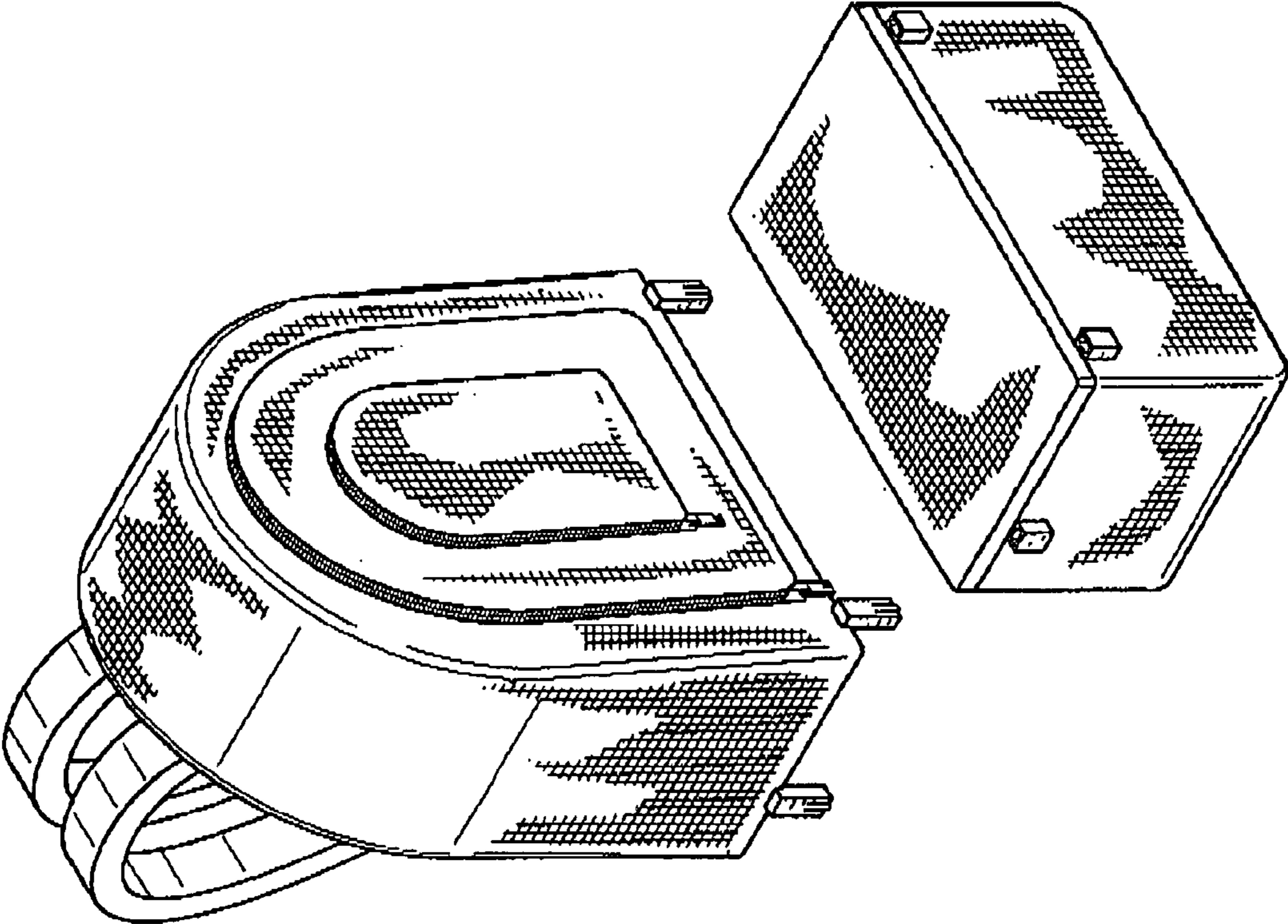


FIG. 7