

US00D547936S

(12) **United States Design Patent**  
**Masullo**

(10) **Patent No.:** **US D547,936 S**

(45) **Date of Patent:** **\*\* Aug. 7, 2007**

(54) **SHOE UPPER**

(75) **Inventor:** **Penny Masullo**, Manhattan Beach, CA (US)

(73) **Assignee:** **Skechers U.S.A., Inc. II**, Manhattan Beach, CA (US)

(\*\*) **Term:** **14 Years**

(21) **Appl. No.:** **29/278,939**

(22) **Filed:** **Apr. 13, 2007**

(51) **LOC (8) Cl.** ..... **02-99**

(52) **U.S. Cl.** ..... **D2/969**

(58) **Field of Classification Search** ..... D2/902,  
D2/906-908, 944, 969, 972-974, 951-960,  
D2/946, 923, 943; 36/45, 50.1, 77 M, 77 R,  
36/83, 88, 113, 114, 126-134  
See application file for complete search history.

D226,884 S *	5/1973	Persson	.....	D2/908
D253,138 S	10/1979	Foldes		
D295,689 S *	5/1988	Diaz et al.	.....	D2/969
D302,898 S *	8/1989	Greenberg	.....	D2/969
D314,079 S *	1/1991	Aveni	.....	D2/973
D326,352 S *	5/1992	Feller et al.	.....	D2/969
D363,159 S	10/1995	Bishop		
D367,554 S *	3/1996	James	.....	D2/902
D382,991 S	9/1997	Bishop		
D439,398 S	3/2001	Dean		
D441,940 S	5/2001	Garcia		
D459,863 S	7/2002	Butler et al.		
D460,246 S	7/2002	Butler et al.		
D504,996 S	5/2005	Dal Magro et al.		
D507,100 S *	7/2005	Petrie	.....	D2/972
D515,302 S *	2/2006	Gillespie	.....	D2/972
D528,773 S *	9/2006	Henderson	.....	D2/972
D529,707 S *	10/2006	Shaffer	.....	D2/972

\* cited by examiner

*Primary Examiner*—Dominic Simone

(74) *Attorney, Agent, or Firm*—Marshall A. Lerner; Marvin H. Kleinberg; Kleinberg & Lerner, LLP

(56) **References Cited**

**U.S. PATENT DOCUMENTS**

D86,832 S *	4/1932	Fein	.....	D2/918
D88,777 S	12/1932	Graves		
D95,776 S *	5/1935	Perugia	.....	D2/918
D98,875 S	3/1936	Lippert		
D99,238 S *	4/1936	Golden	.....	D2/918
D105,305 S *	7/1937	Troy	.....	D2/918
D113,117 S *	1/1939	Lutz	.....	D2/918
D124,720 S	1/1941	Finn		
D125,760 S *	3/1941	Freeman	.....	D2/918
D128,983 S	8/1941	Thomas		
2,297,595 A	9/1942	Weinstat		
D142,432 S *	9/1945	Lissak et al.	.....	D2/918
D145,110 S *	6/1946	Wilcox	.....	D2/943
2,421,818 A	6/1947	Tibiletti		
D149,759 S	5/1948	Kasket et al.		
D154,469 S	7/1949	Frederick		
2,505,076 A	4/1950	West et al.		
D172,897 S *	8/1954	Mondl	.....	D2/923
2,707,340 A	5/1955	Scala		

(57) **CLAIM**

The ornamental design for a shoe upper, as shown and described.

**DESCRIPTION**

FIG. 1 is a perspective view of a shoe upper in accordance with my new design.

FIG. 2 is a top plan view thereof;

FIG. 3 is a right side elevational view thereof;

FIG. 4 is a left side elevational view thereof;

FIG. 5 is a front elevational view thereof; and,

FIG. 6 is a rear elevational view thereof.

Broken lines in the figures are for illustrative purposes only and form no part of the claimed design.

**1 Claim, 3 Drawing Sheets**



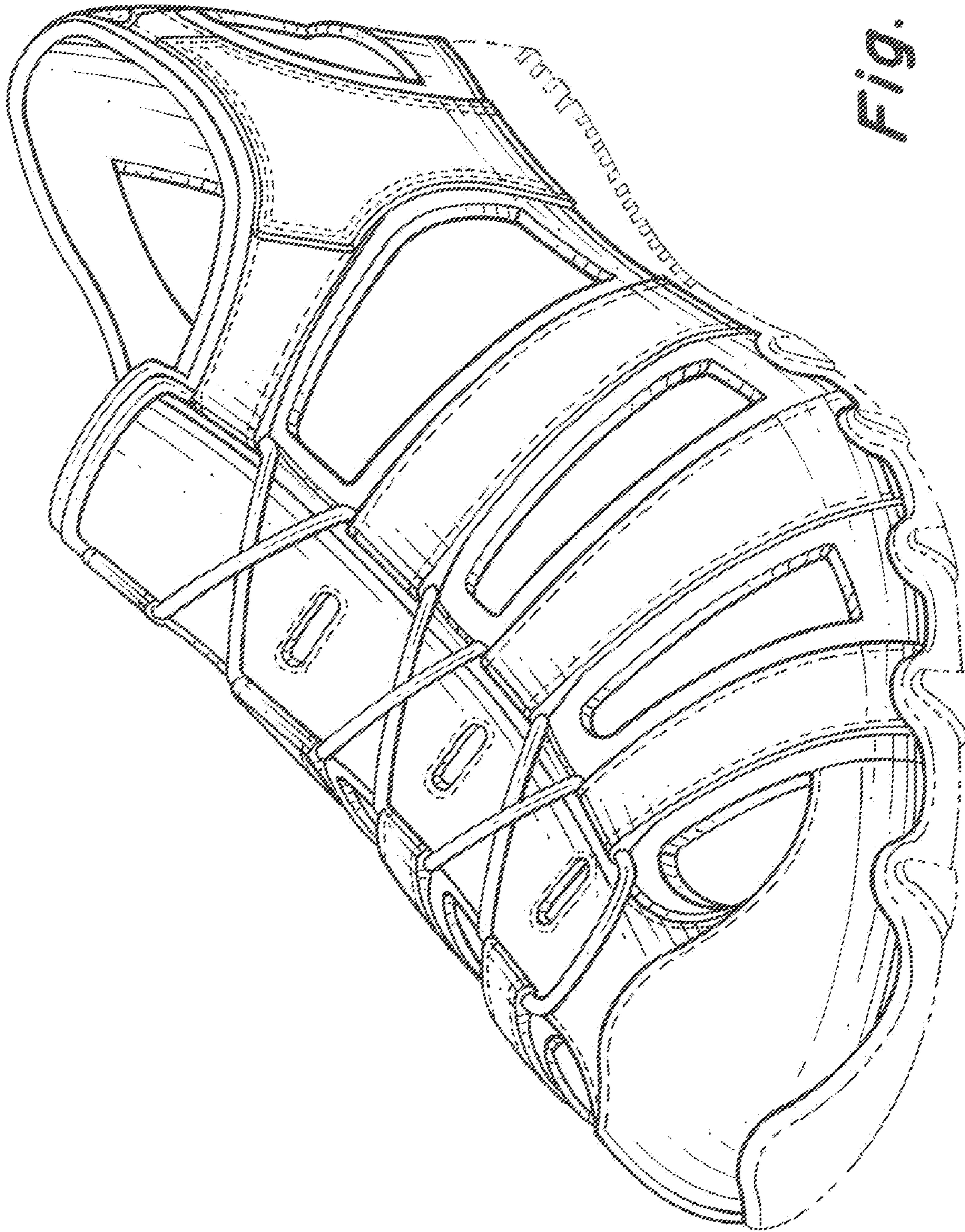


Fig. 1.

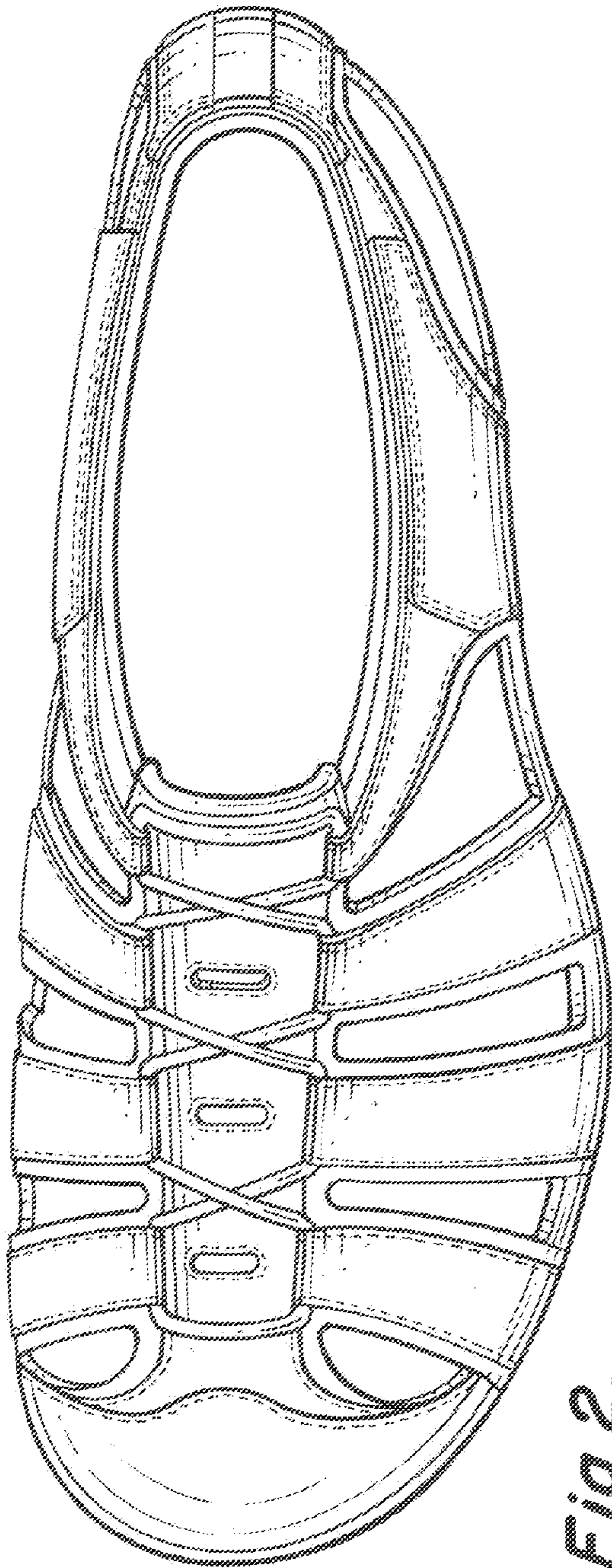


Fig. 2.

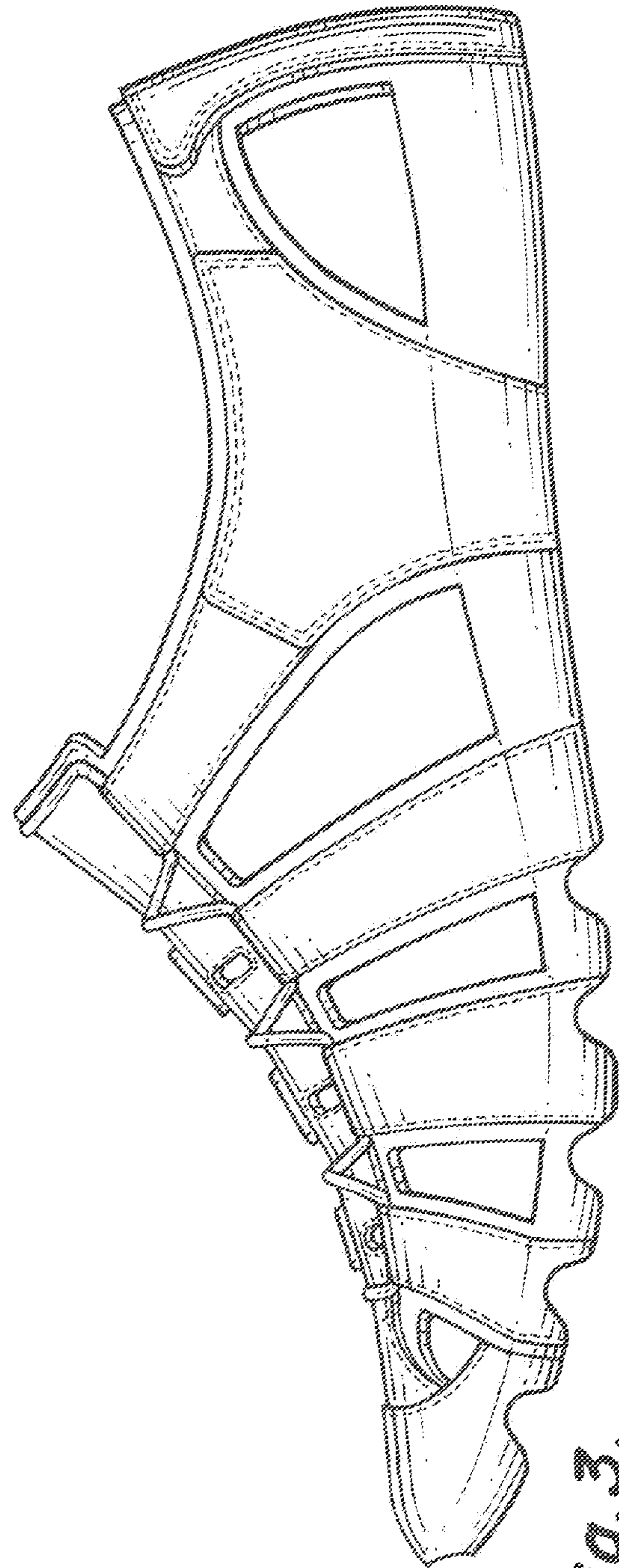


Fig. 3.

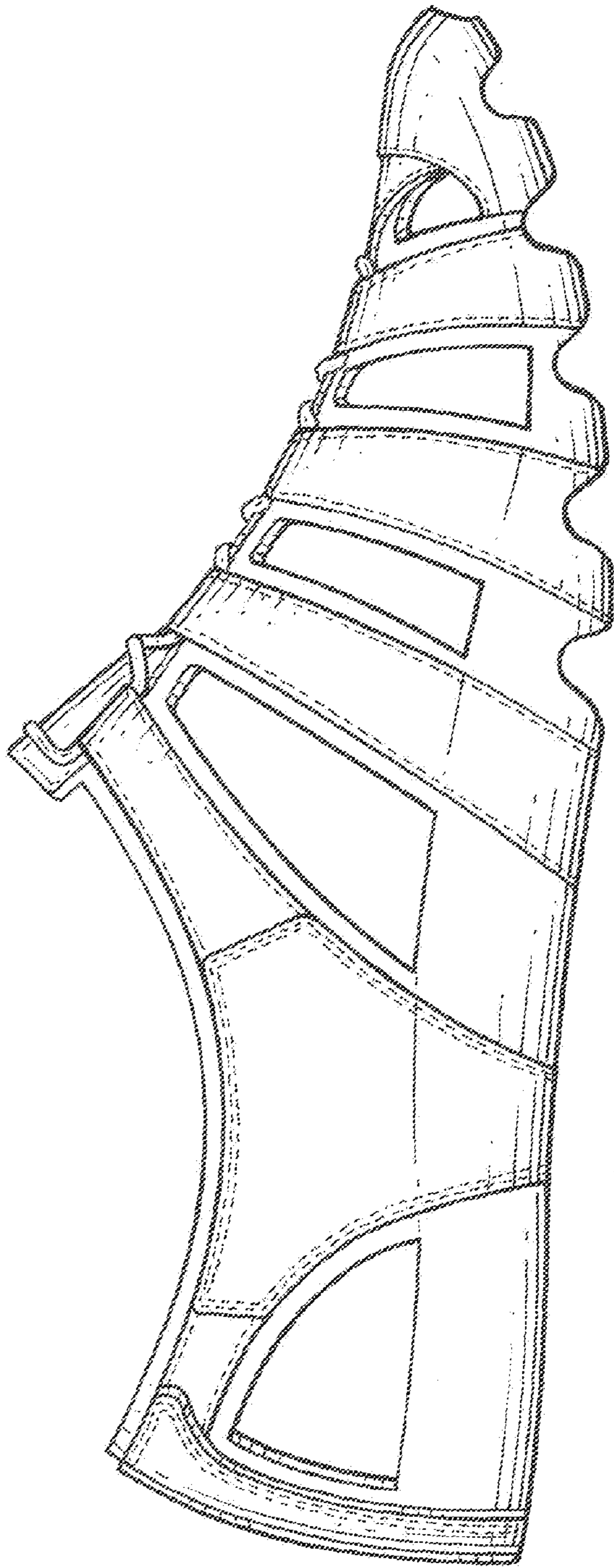


Fig. 4.

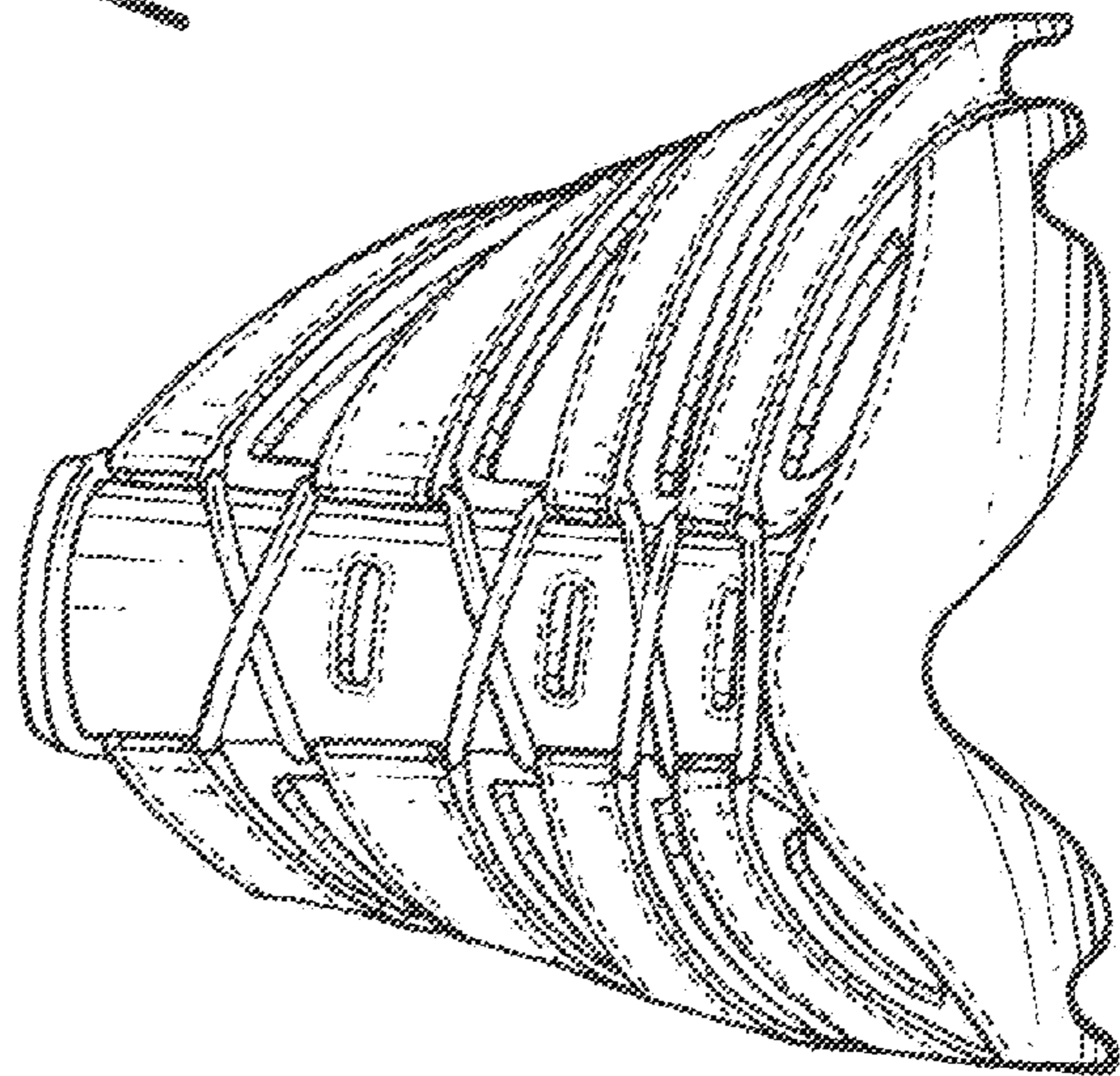


Fig. 5.

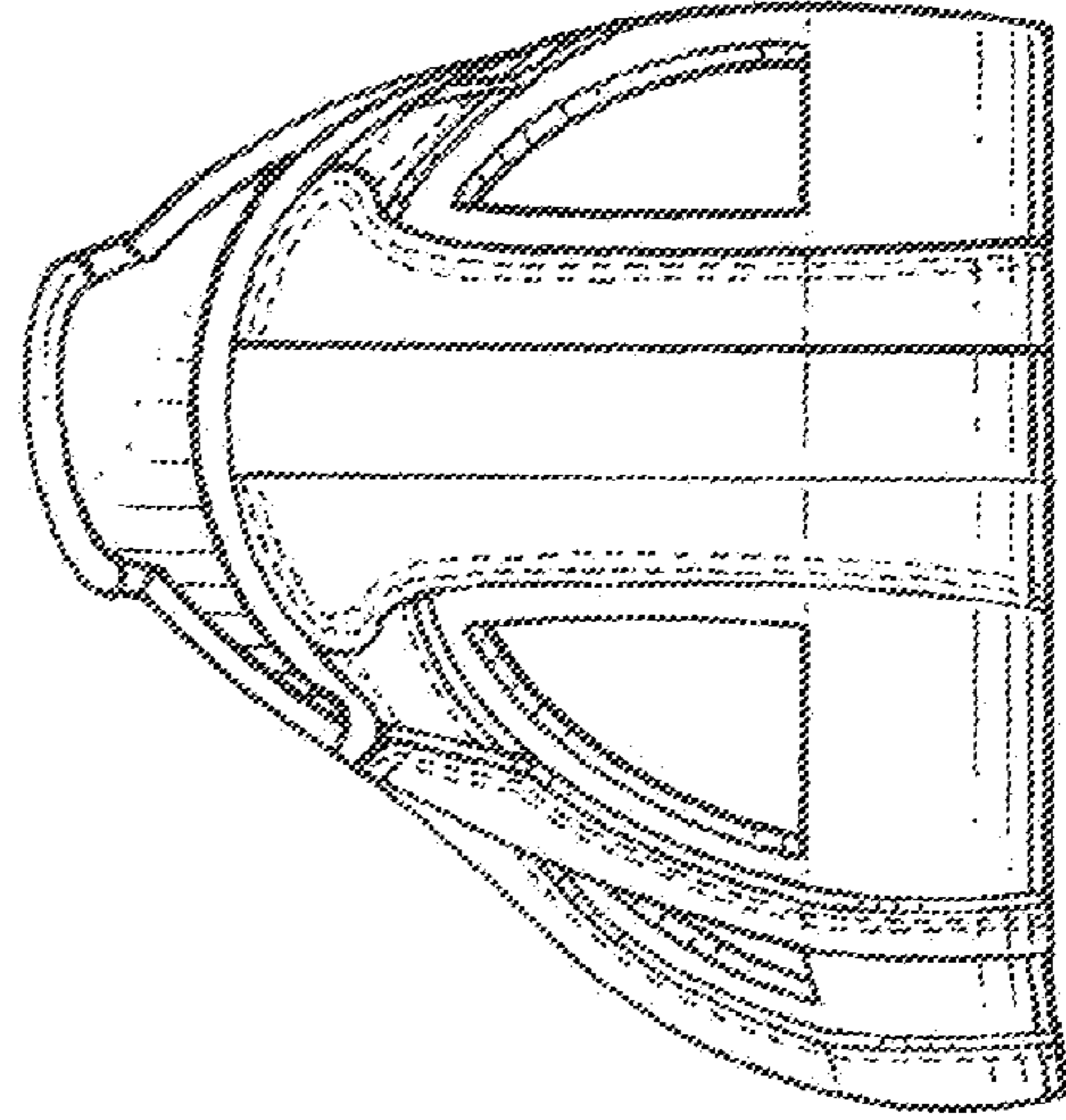


Fig. 6.