



US00D547924S

(12) **United States Design Patent**
Norbraten

(10) **Patent No.:** **US D547,924 S**

(45) **Date of Patent:** **** Jul. 31, 2007**

(54) **COFFIN AND TRAILER**

(76) **Inventor:** **Ken Norbraten**, 4705 Leno Road,
Prince George, British Columbia (CA)
V2N 6E3

(**) **Term:** **14 Years**

(21) **Appl. No.:** **29/256,722**

(22) **Filed:** **Mar. 24, 2006**

(51) **LOC (8) Cl.** **99-00**

(52) **U.S. Cl.** **D99/1**

(58) **Field of Classification Search** D99/1-6;
D12/17, 101, 102, 105, 106; 27/1-5, 6, 32,
27/35; 296/181, 190; 224/519; D34/24;
280/43.18, 43.19, 414.1, 400, 482-492, 656,
280/763.1

See application file for complete search history.

(56) **References Cited**

U.S. PATENT DOCUMENTS

- 712,030 A * 10/1902 Zarling 52/124.1
- 1,026,513 A * 5/1912 Jones 27/35
- 2,028,442 A 1/1936 Dormer
- 2,875,911 A * 3/1959 Janke et al. 414/460
- 3,887,093 A * 6/1975 Howell 414/532
- 4,077,643 A * 3/1978 Bates 280/43.18
- 4,139,109 A 2/1979 Murphy
- D283,071 S * 3/1986 Neuhaus D34/24

- D317,735 S * 6/1991 Andrews D12/101
- 5,448,810 A * 9/1995 Mackirdy 27/6
- D369,328 S * 4/1996 Acosta D12/101
- D418,451 S * 1/2000 Konecheck D12/101
- 6,042,138 A 3/2000 Shreck
- 6,299,229 B1 10/2001 Becenas Nieto
- 6,419,440 B1 7/2002 Smith
- 6,502,730 B2 * 1/2003 Johnson 224/519
- 7,047,605 B2 * 5/2006 Kele 27/32

* cited by examiner

Primary Examiner—Paula A. Greene

(74) *Attorney, Agent, or Firm*—Antony C. Edwards

(57) **CLAIM**

The ornamental design for a coffin and trailer.

DESCRIPTION

FIG. 1 is a perspective view of the coffin and trailer of the present invention.

FIG. 2 is a top plan view of the coffin and trailer.

FIG. 3 is a front elevation view of the coffin and trailer.

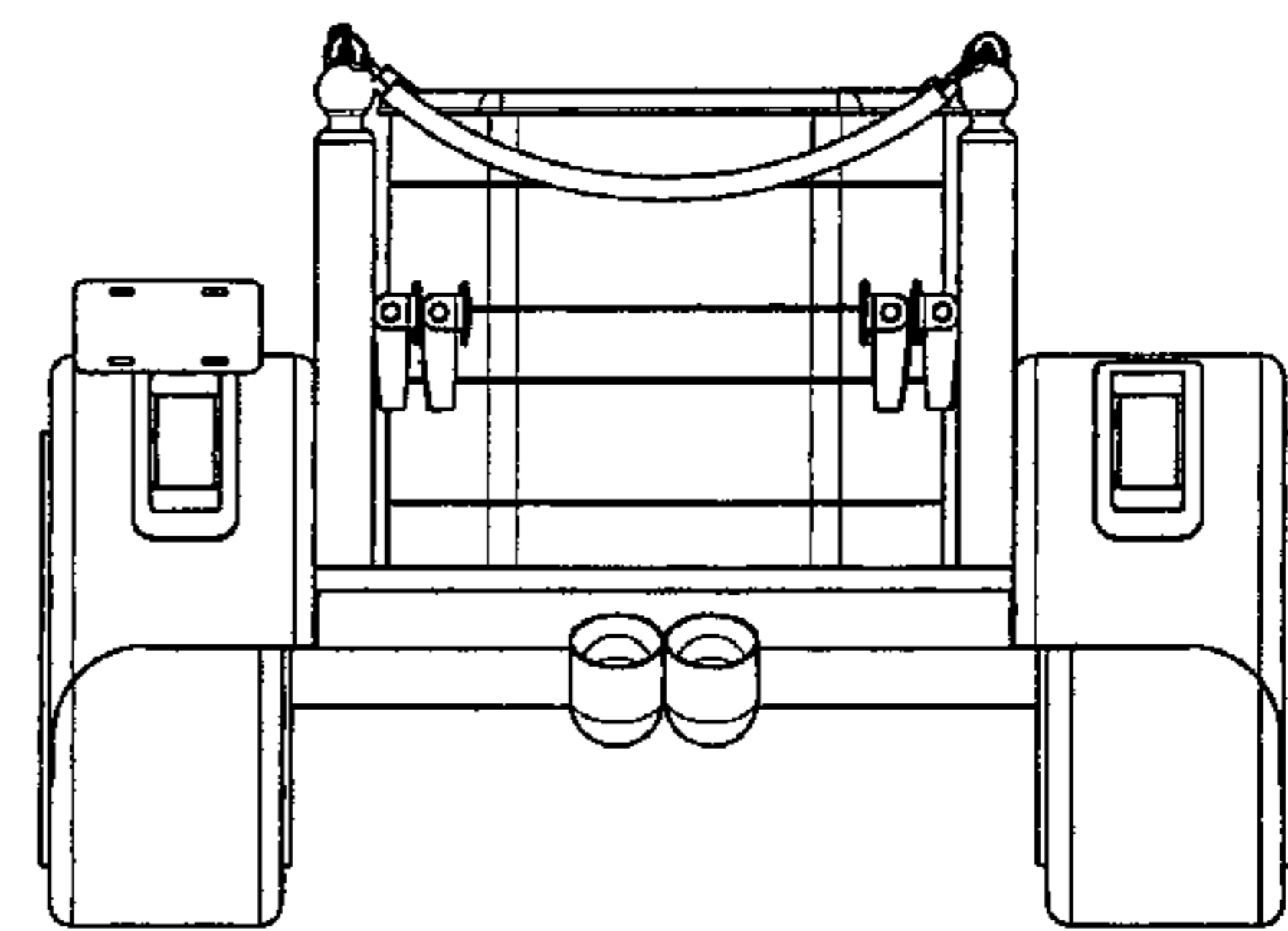
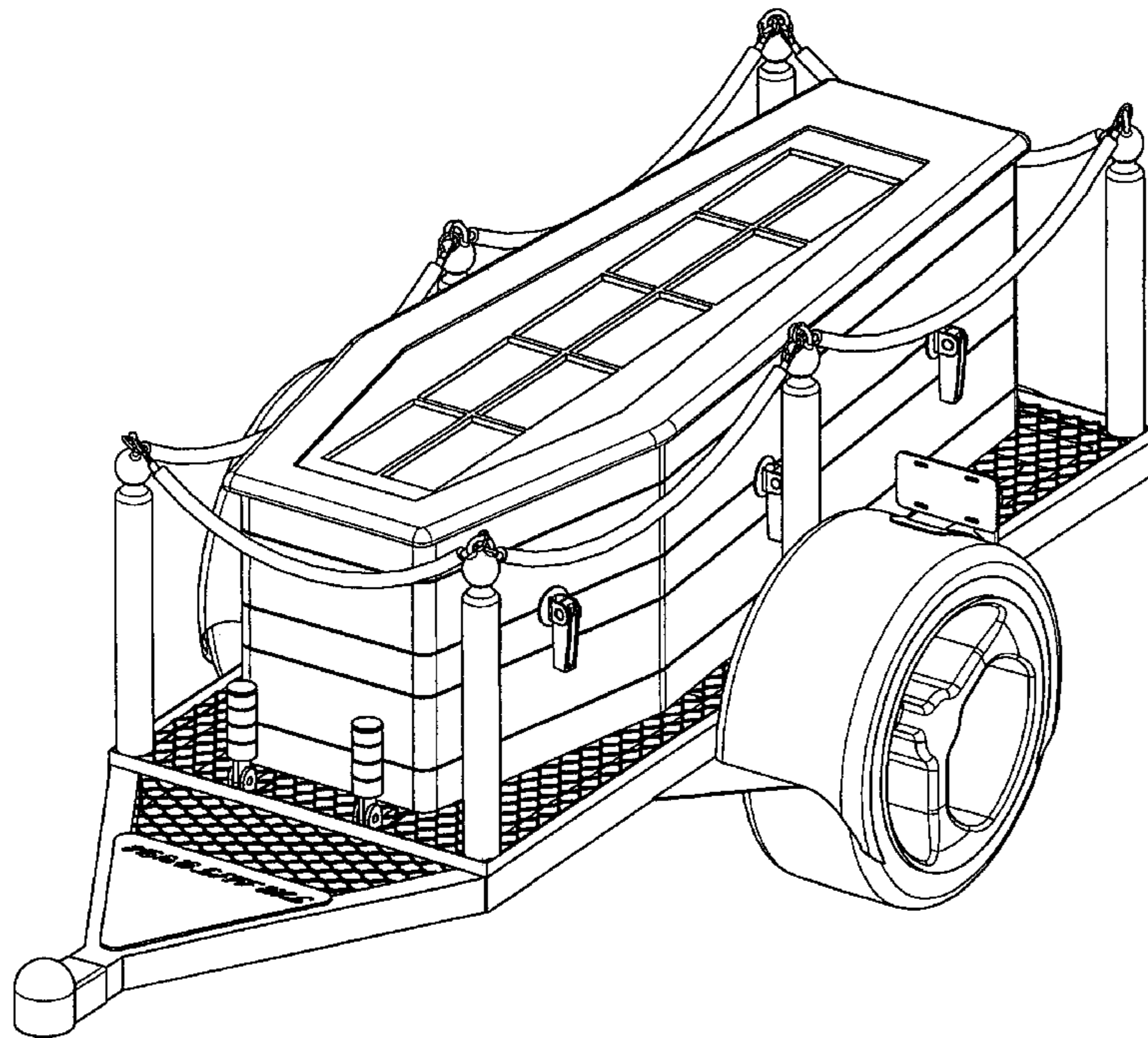
FIG. 4 is a bottom view of the coffin and trailer.

FIG. 5 is a left side view of the coffin and trailer.

FIG. 6 is a right side view of the coffin and trailer; and,

FIG. 7 is a rear elevation view of the coffin and trailer.

1 Claim, 7 Drawing Sheets



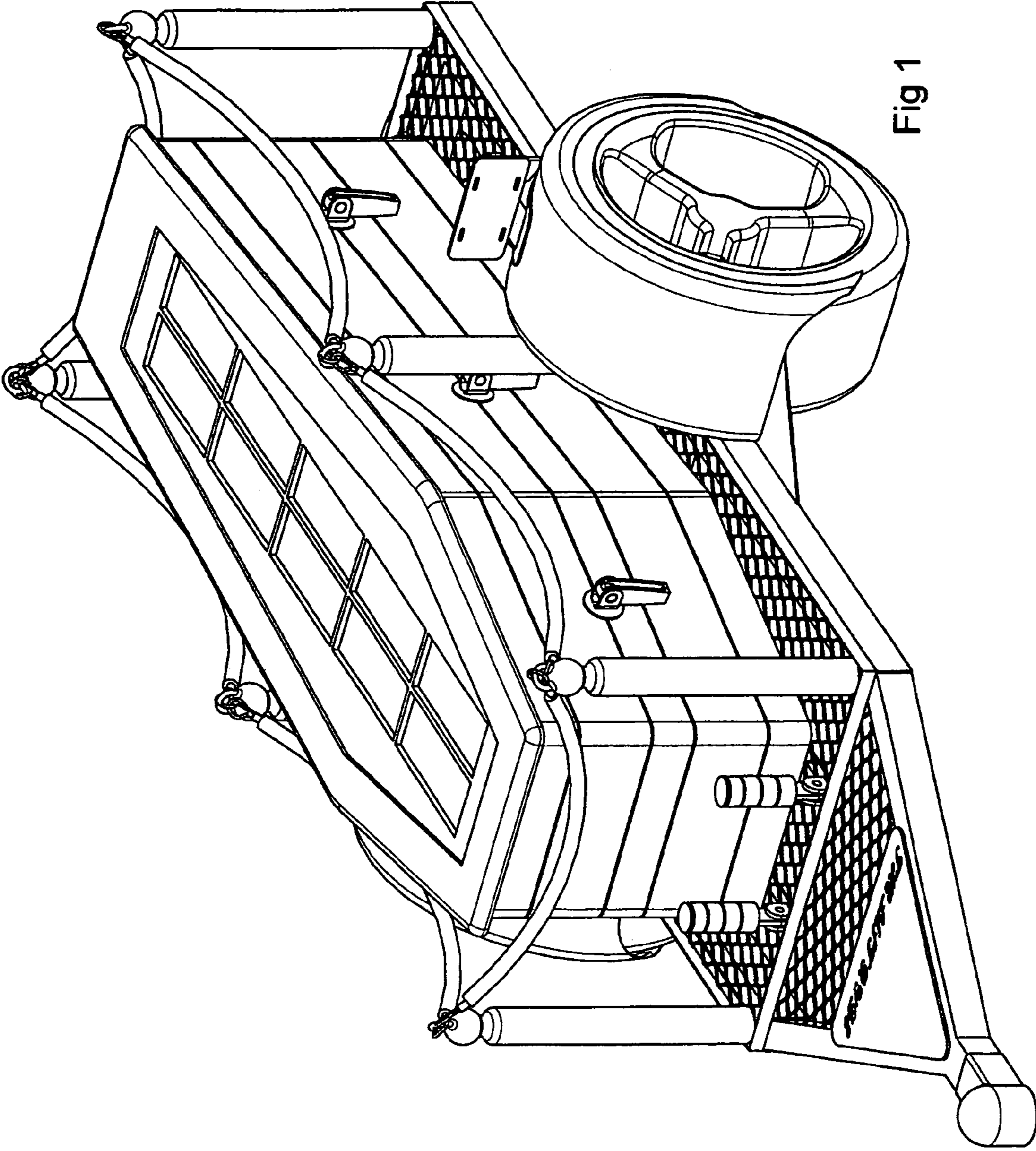


Fig 1

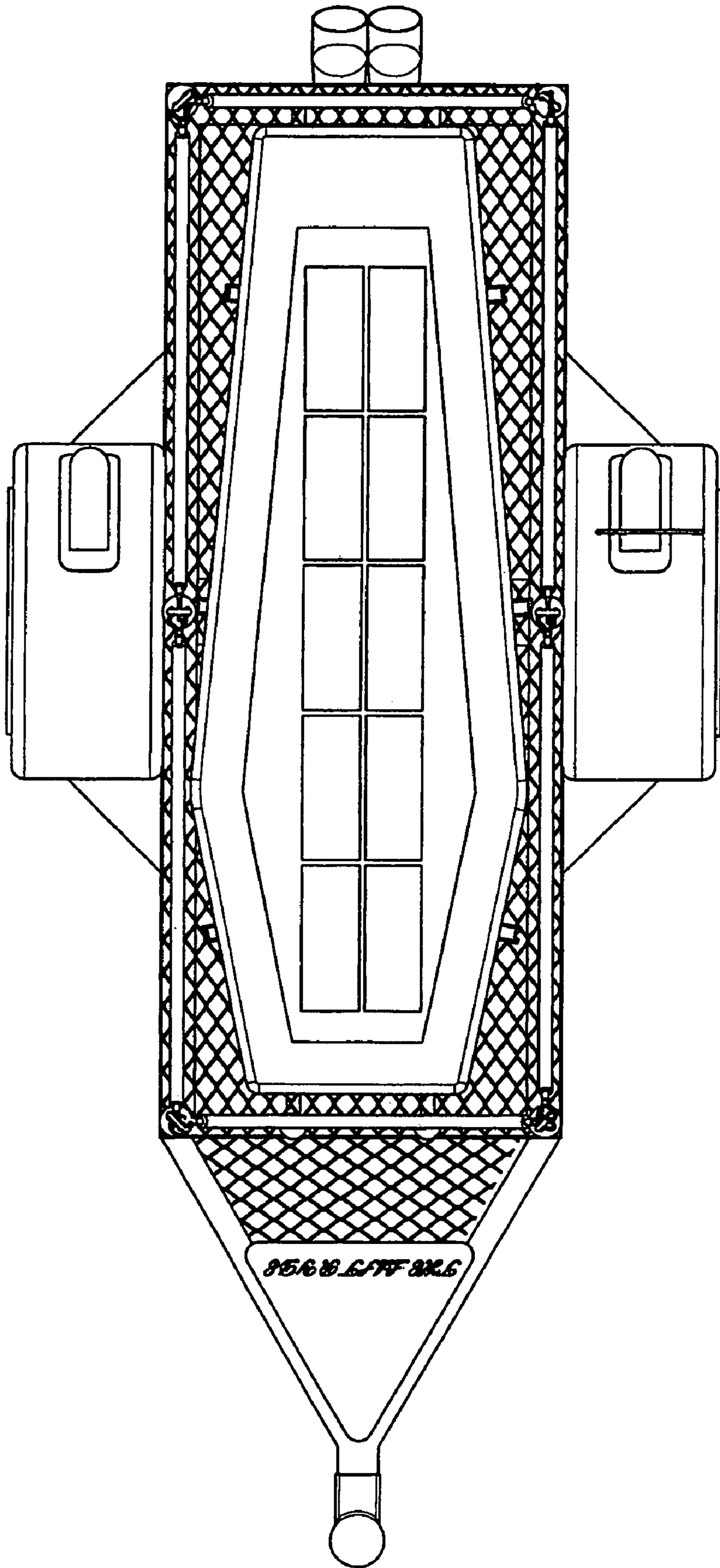


Fig 2

956 B 677 826

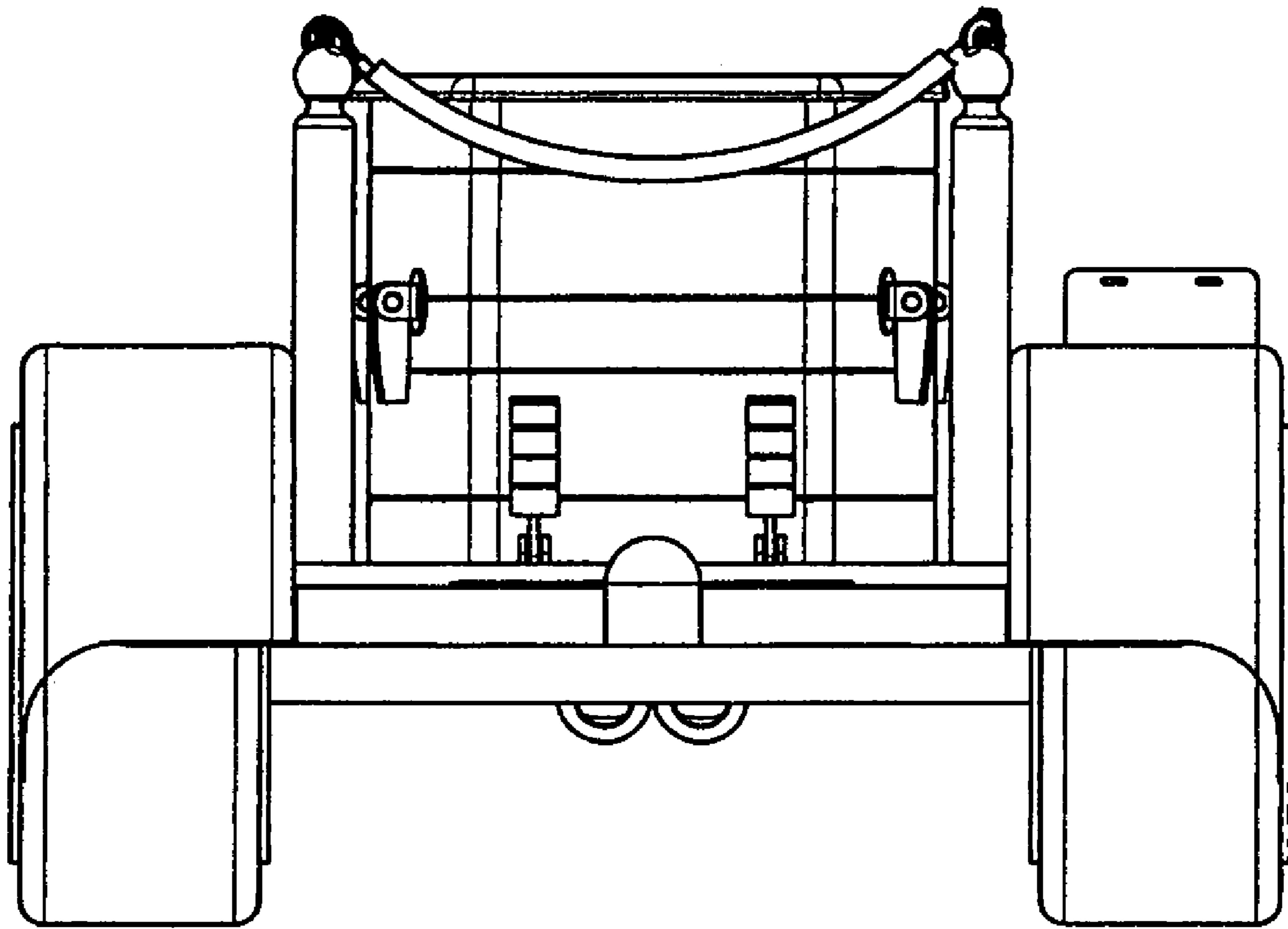


Fig 3

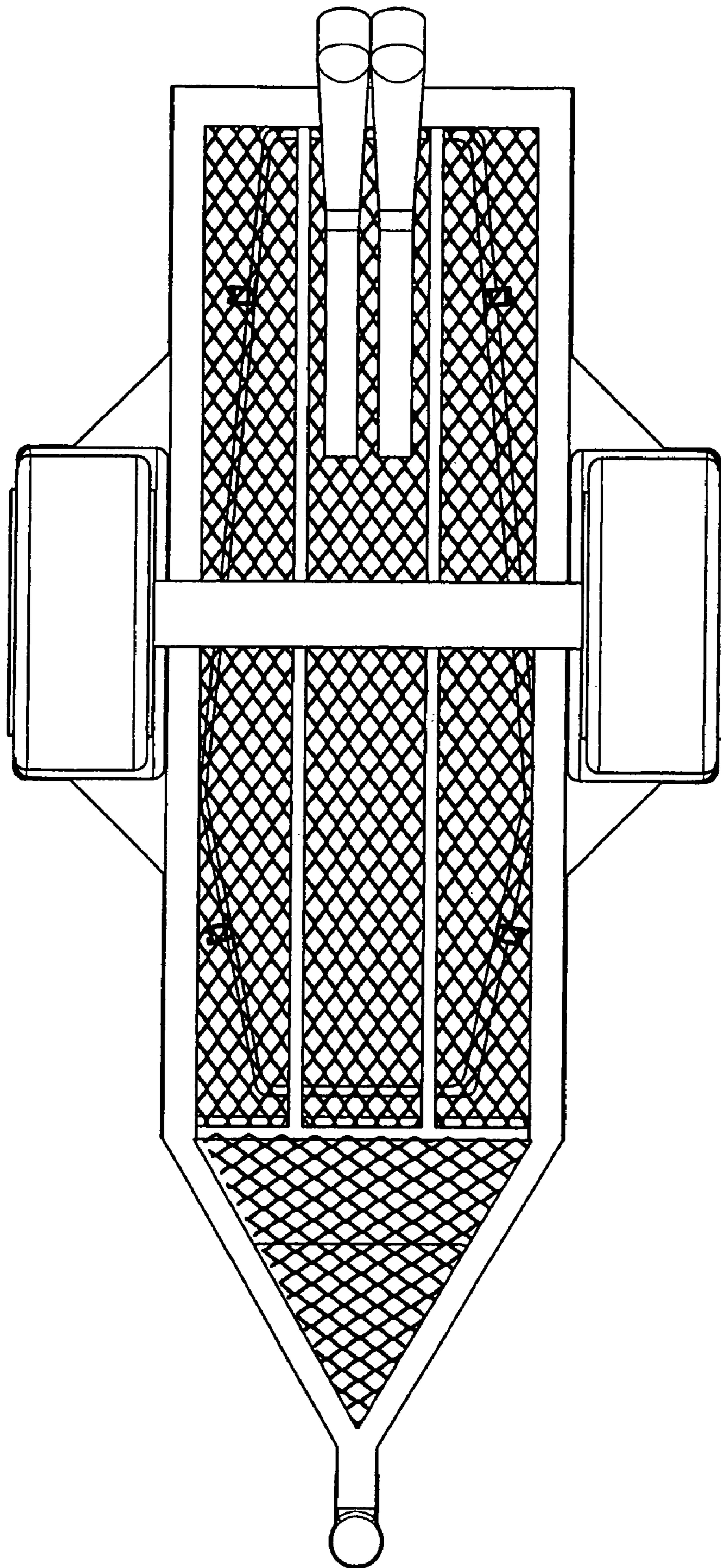


Fig 4

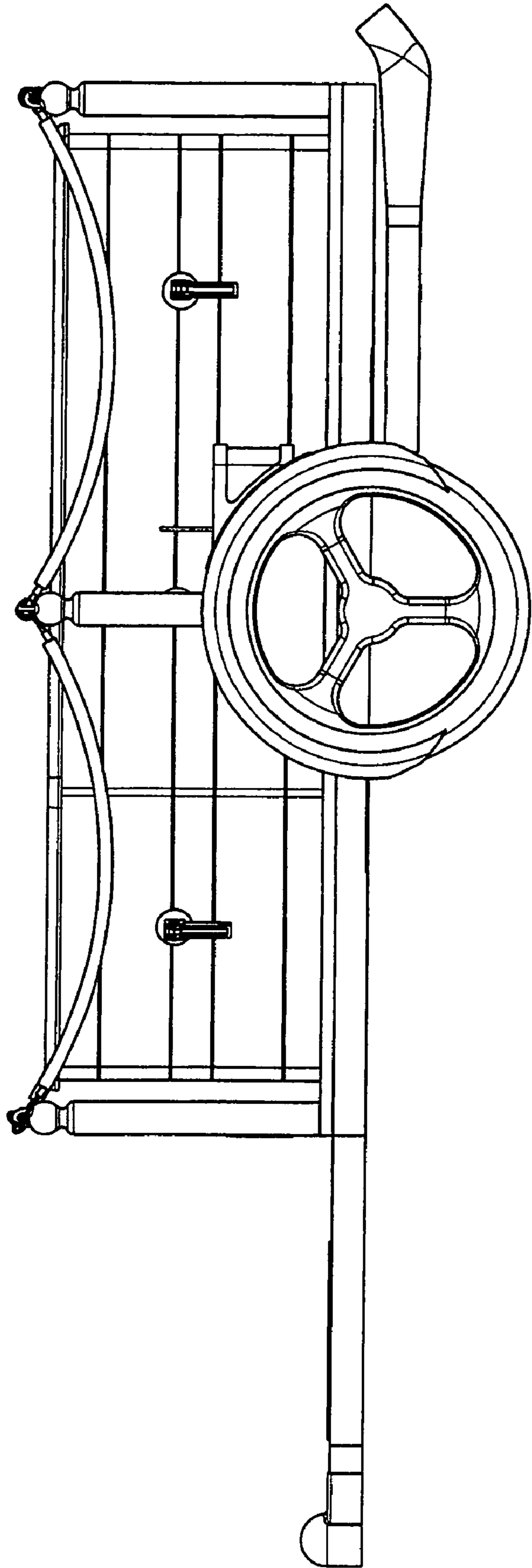


Fig 5

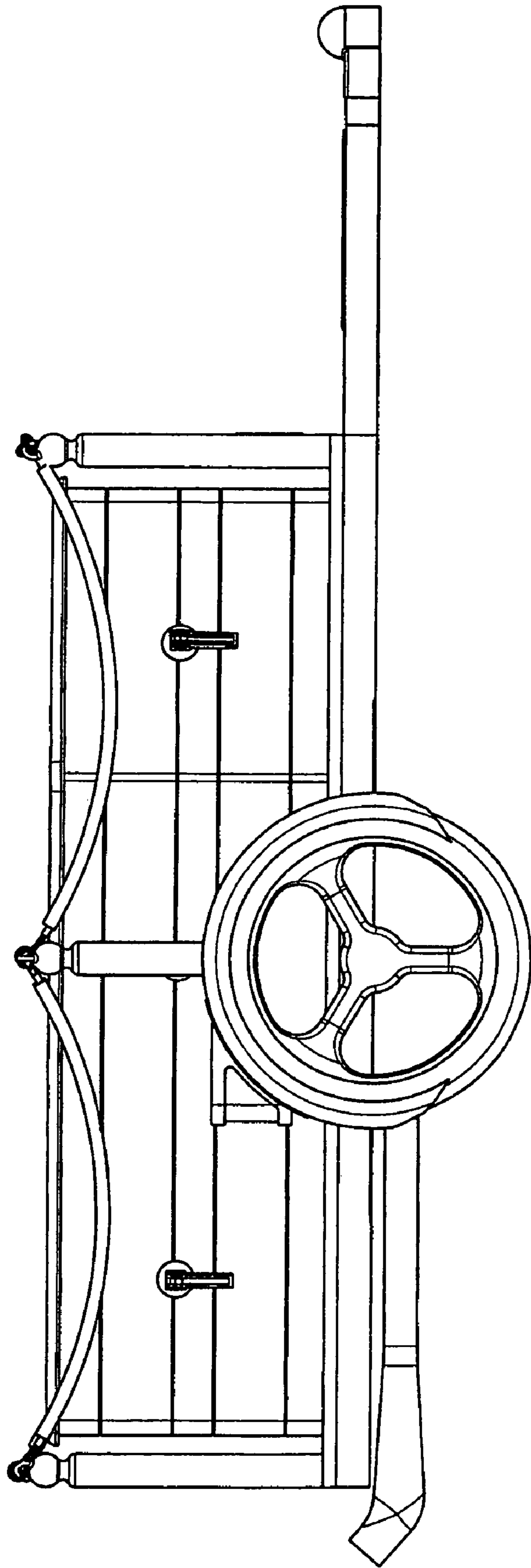


Fig 6

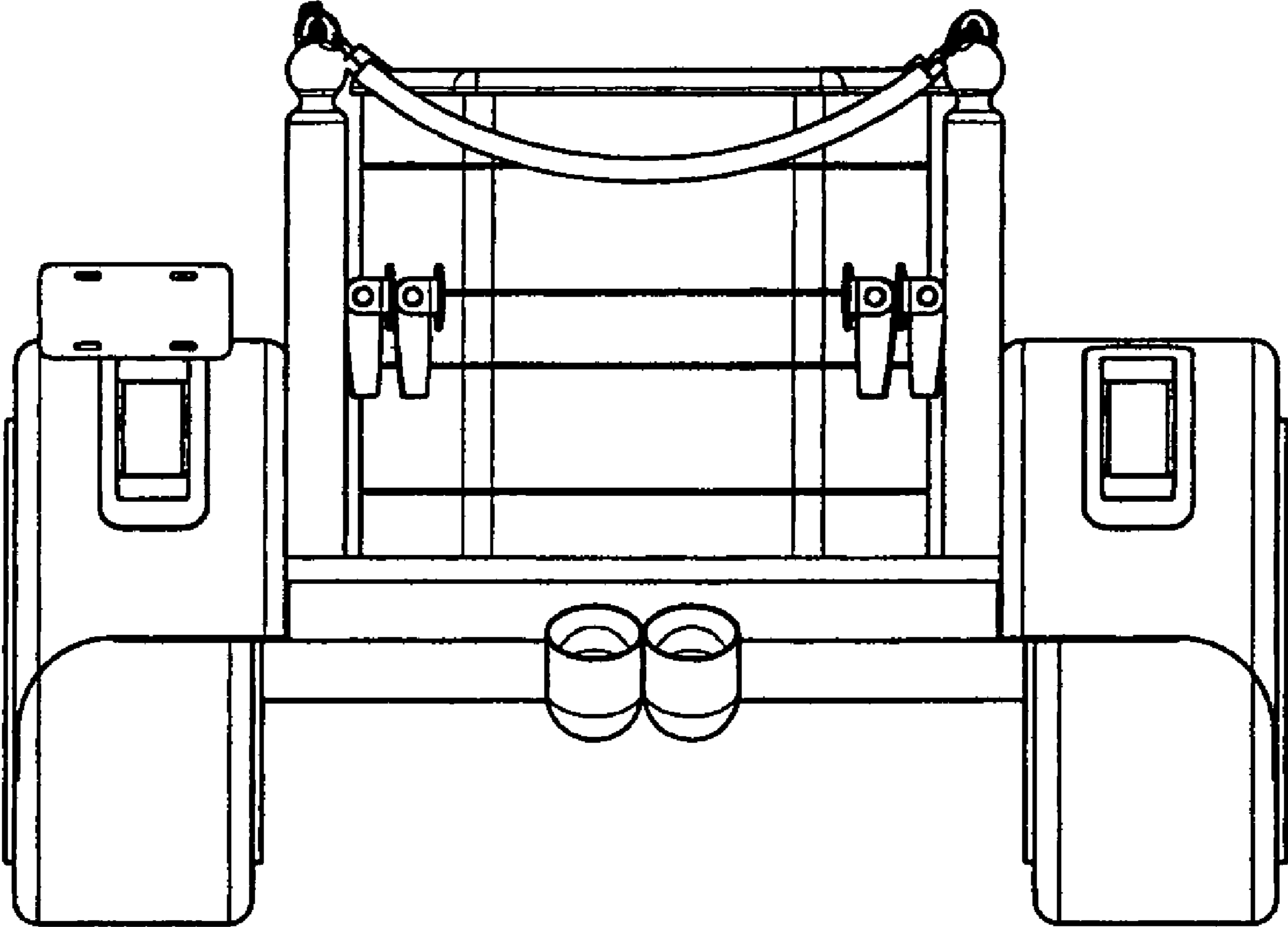


Fig 7