

US00D547922S

(12) **United States Design Patent** (10) **Patent No.:** **US D547,922 S**  
**Liao** (45) **Date of Patent:** **\*\* Jul. 31, 2007**

(54) **HANDLE SET FOR A GOLF CART**

*Primary Examiner*—Cynthia E. Ramirez

(76) **Inventor:** **Gordon Liao**, No. 5, Ming Dong Road,  
Yung Kang City Tainan Hsien (TW)

(74) *Attorney, Agent, or Firm*—Alan Kamrath; Kamrath &  
Associates PA

(\*\*) **Term:** **14 Years**

(57) **CLAIM**

(21) **Appl. No.:** **29/259,664**

The ornamental design for a handle set for a golf cart, as  
shown and described.

(22) **Filed:** **May 12, 2006**

(51) **LOC (8) Cl.** ..... **12-02**

(52) **U.S. Cl.** ..... **D34/27**

(58) **Field of Classification Search** ..... D34/1,  
D34/27; 224/274; 248/311.2

See application file for complete search history.

**DESCRIPTION**

(56) **References Cited**

**U.S. PATENT DOCUMENTS**

2,570,504	A *	10/1951	Van House	.....	280/47.19
3,269,683	A *	8/1966	Shinaver	.....	248/230.5
3,313,508	A *	4/1967	Mancl	.....	248/229.11
4,844,399	A *	7/1989	Harm	.....	248/311.2
5,152,489	A *	10/1992	Christensen et al.	.....	248/311.2
5,320,263	A *	6/1994	Kobylack	.....	224/274
5,423,509	A *	6/1995	LaPorte et al.	.....	248/311.2
5,433,361	A *	7/1995	O'Malley	.....	224/274
5,484,129	A *	1/1996	Megal	.....	248/311.2
5,579,968	A *	12/1996	Staschiak	.....	224/274
6,983,918	B1 *	1/2006	Leasure	.....	248/311.2

FIG. 1 is a perspective view of a handle set for a golf cart  
showing my design;

FIG. 2 is a front elevational view thereof;

FIG. 3 is a rear elevational view thereof;

FIG. 4 is a left side elevational view thereof;

FIG. 5 is a right side elevational view thereof;

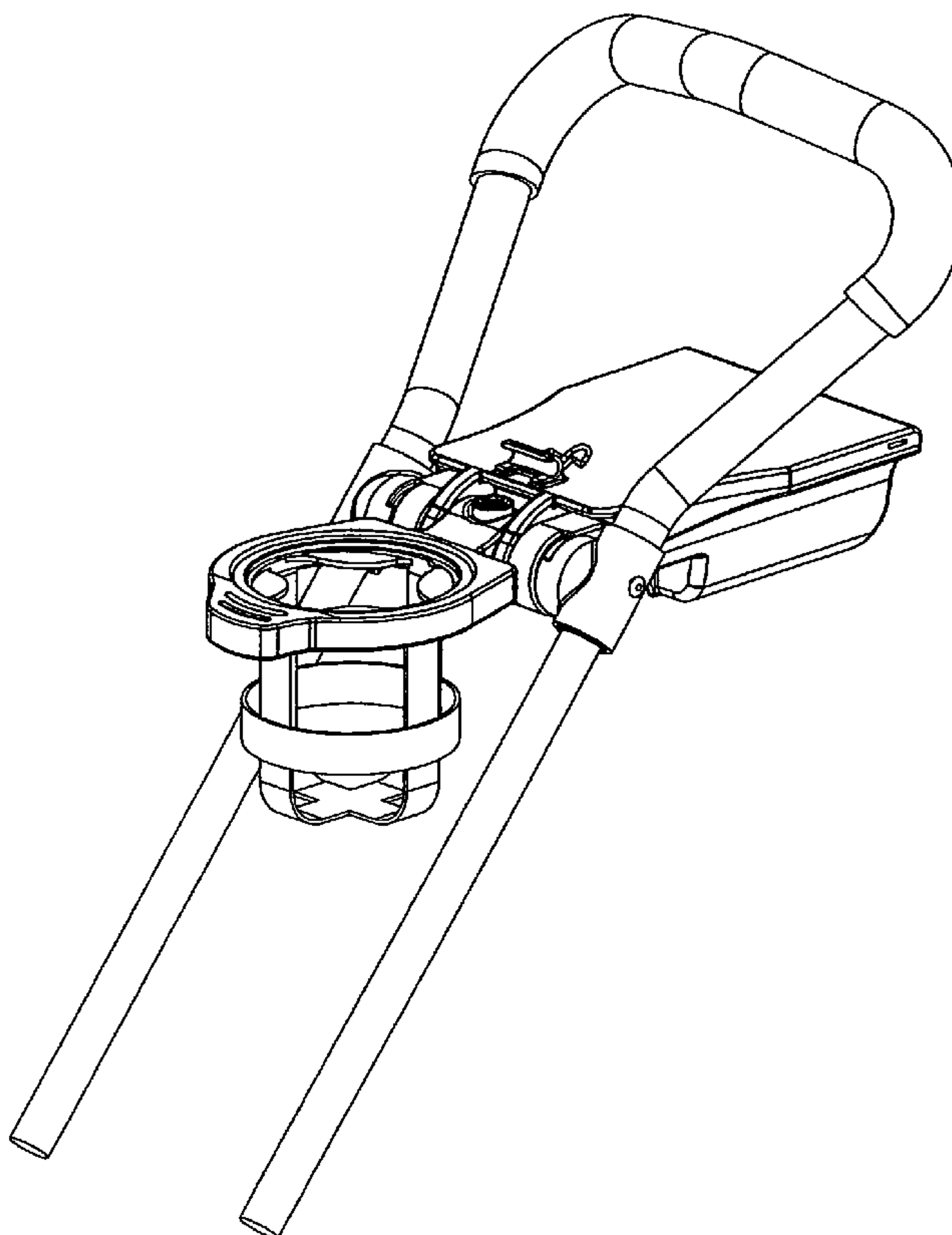
FIG. 6 is a top plan view thereof;

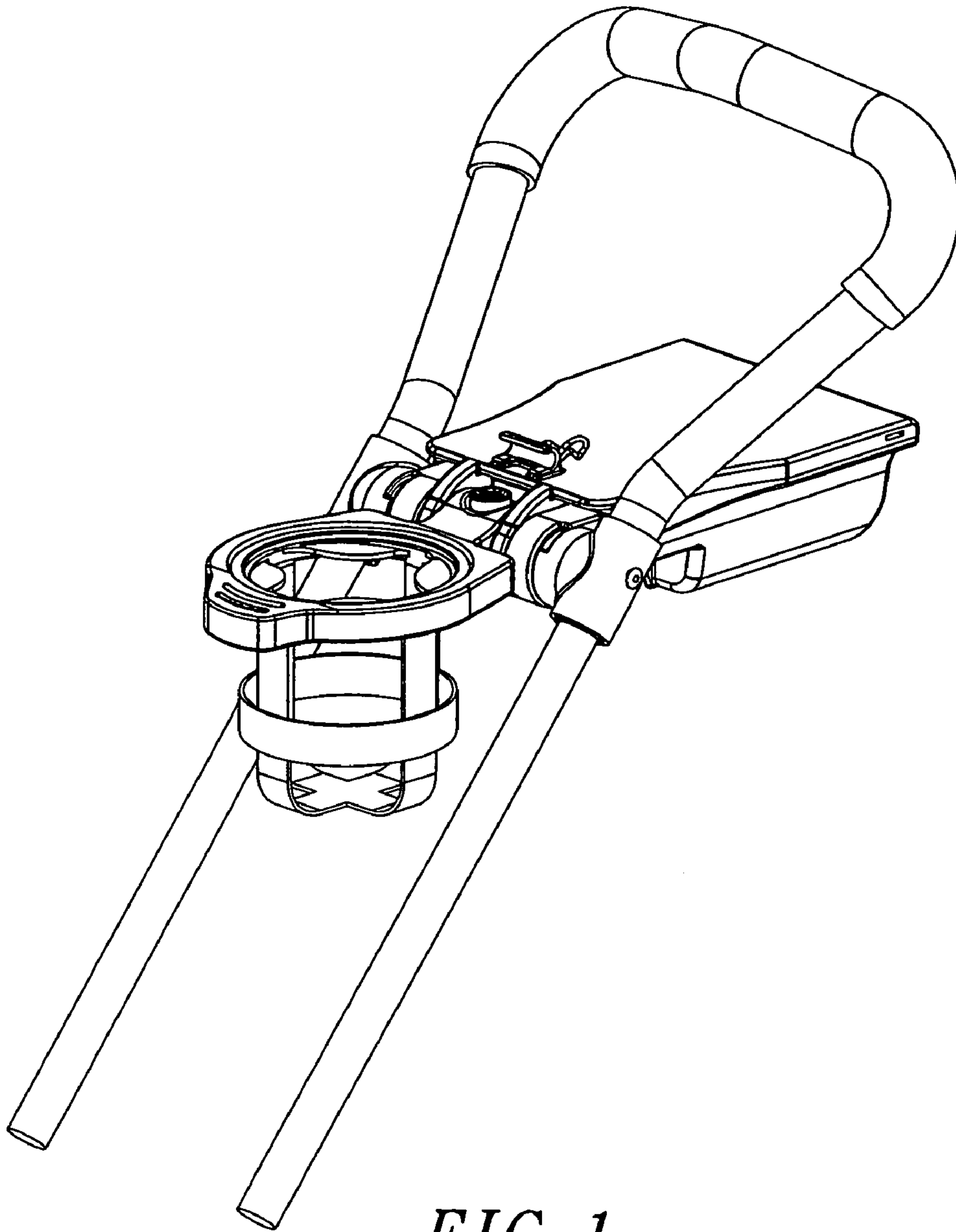
FIG. 7 is a bottom plan view thereof; and,

FIG. 8 is a perspective schematic view illustrating a handle  
set showing my design disposed on a golf cart. The broken  
lines shown in the drawing are for illustrative purposes only  
and form no part of the claimed design.

\* cited by examiner

**1 Claim, 6 Drawing Sheets**





*FIG. 1*

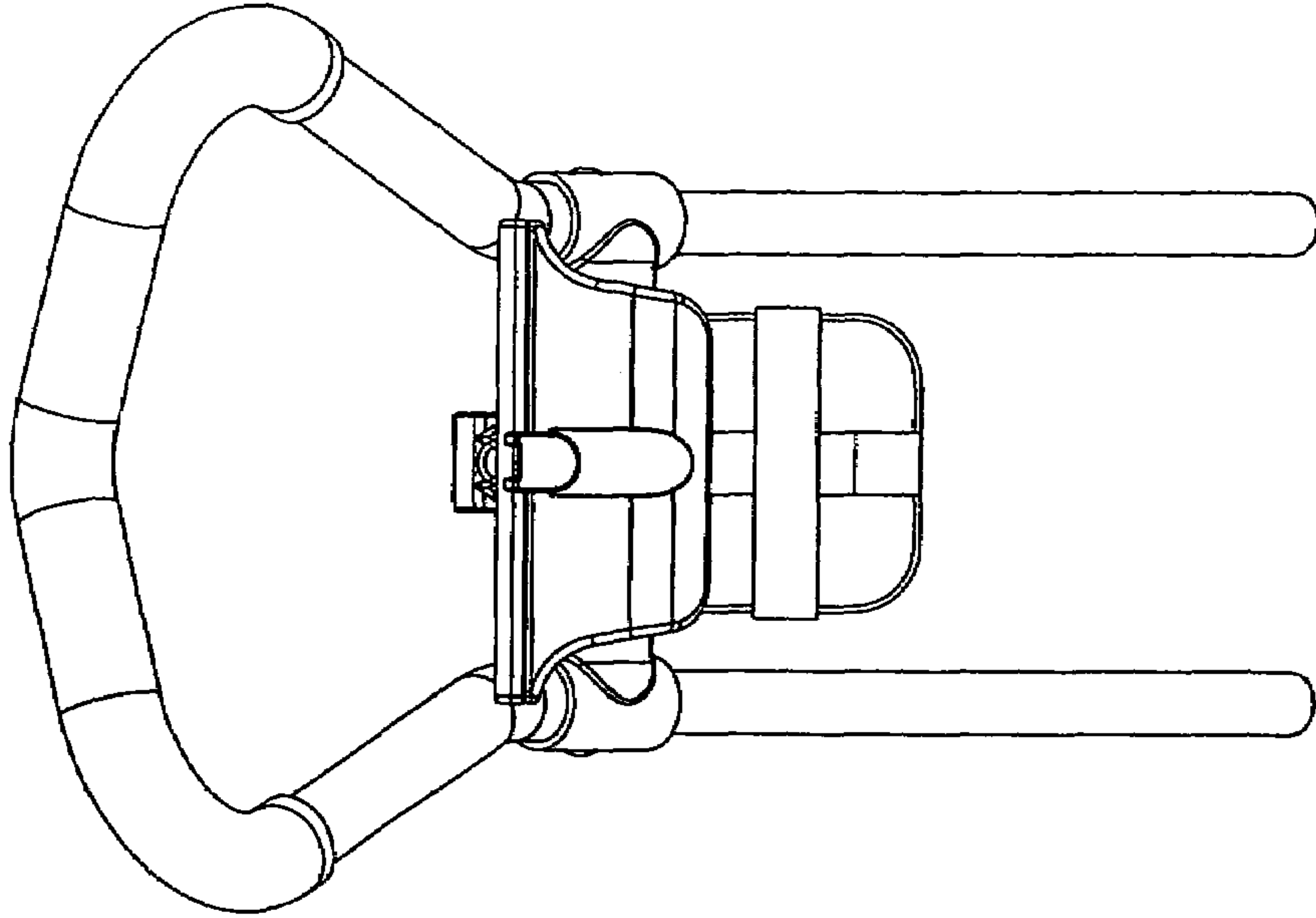


FIG. 3

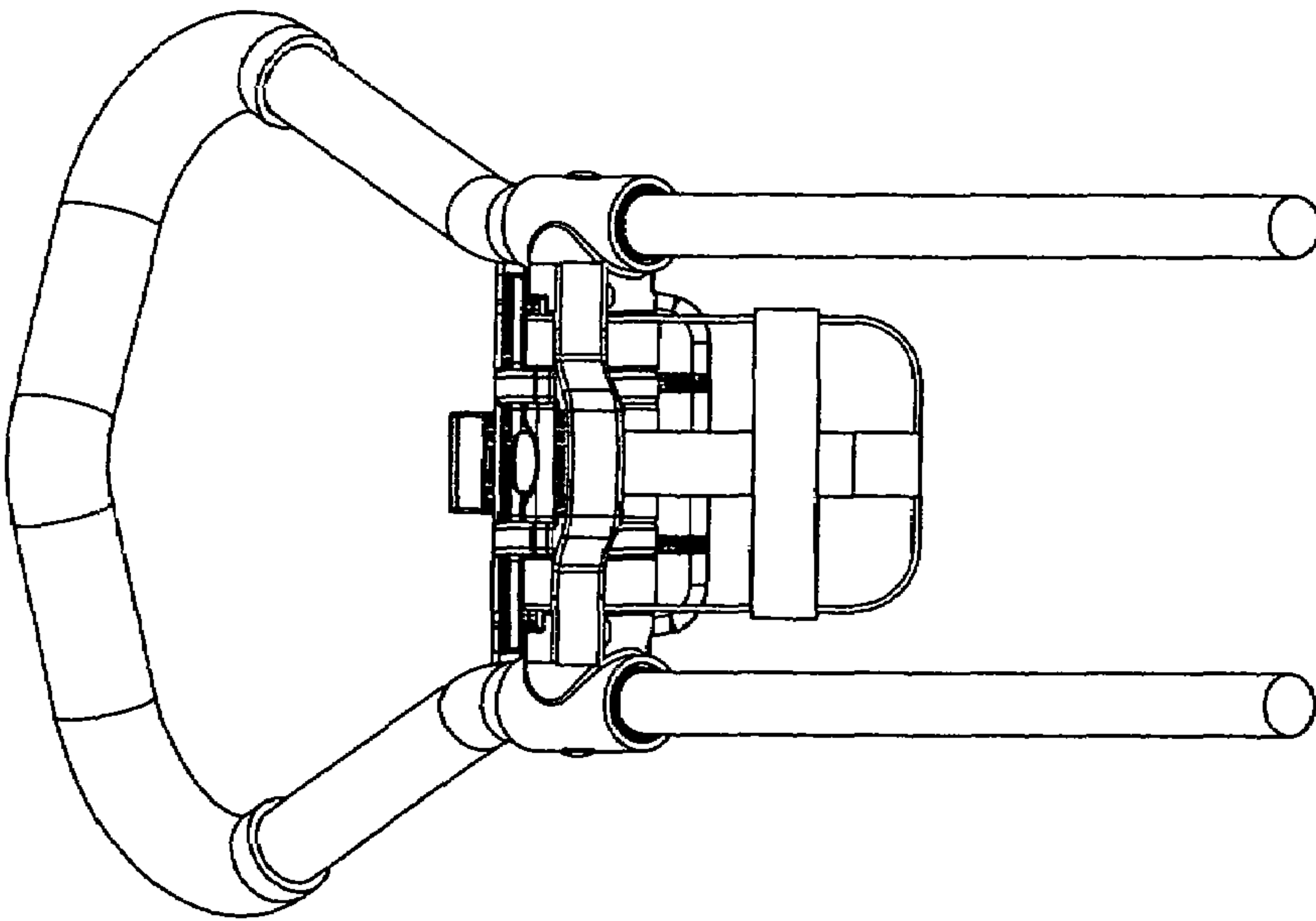
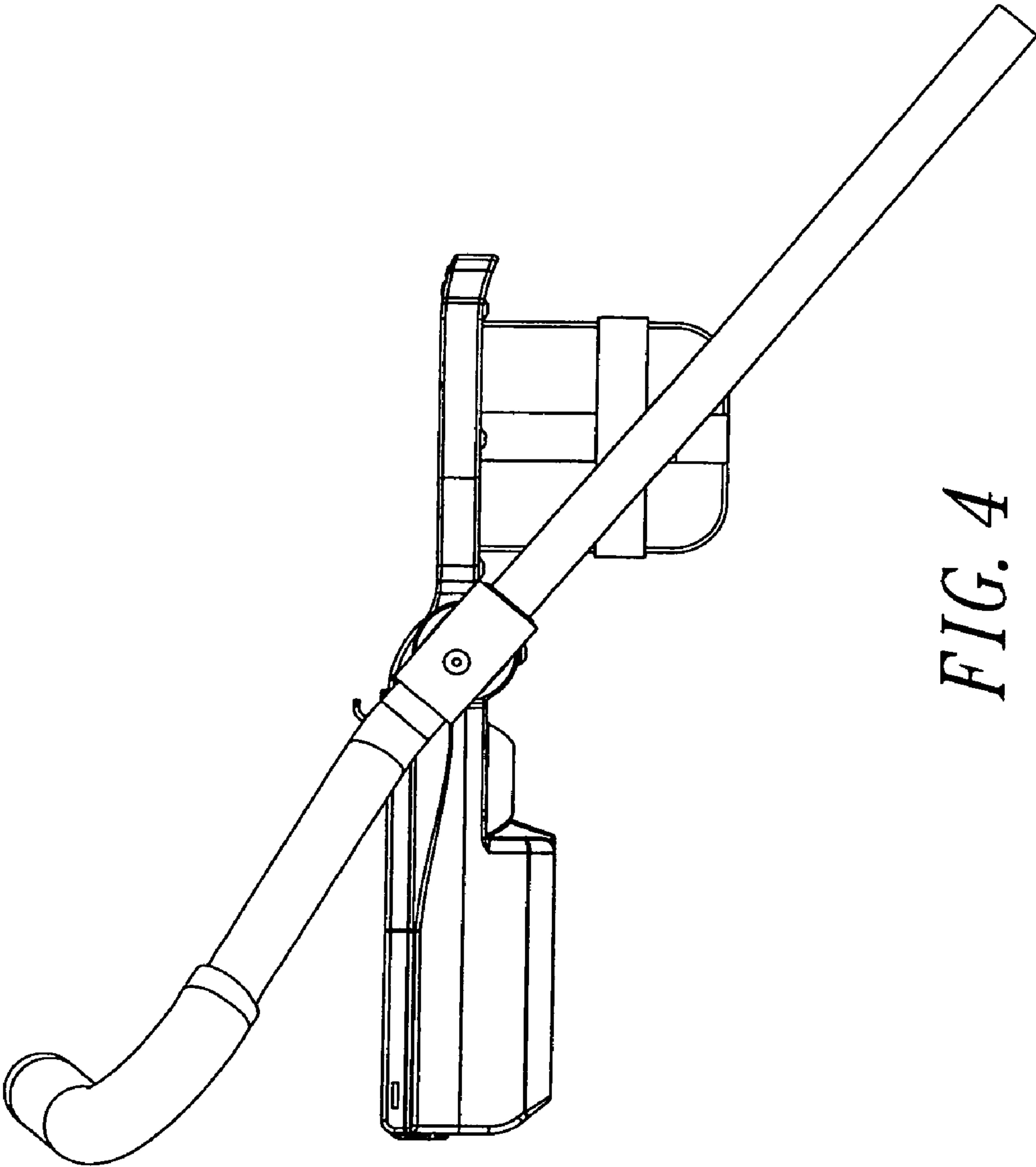


FIG. 2



*FIG. 4*

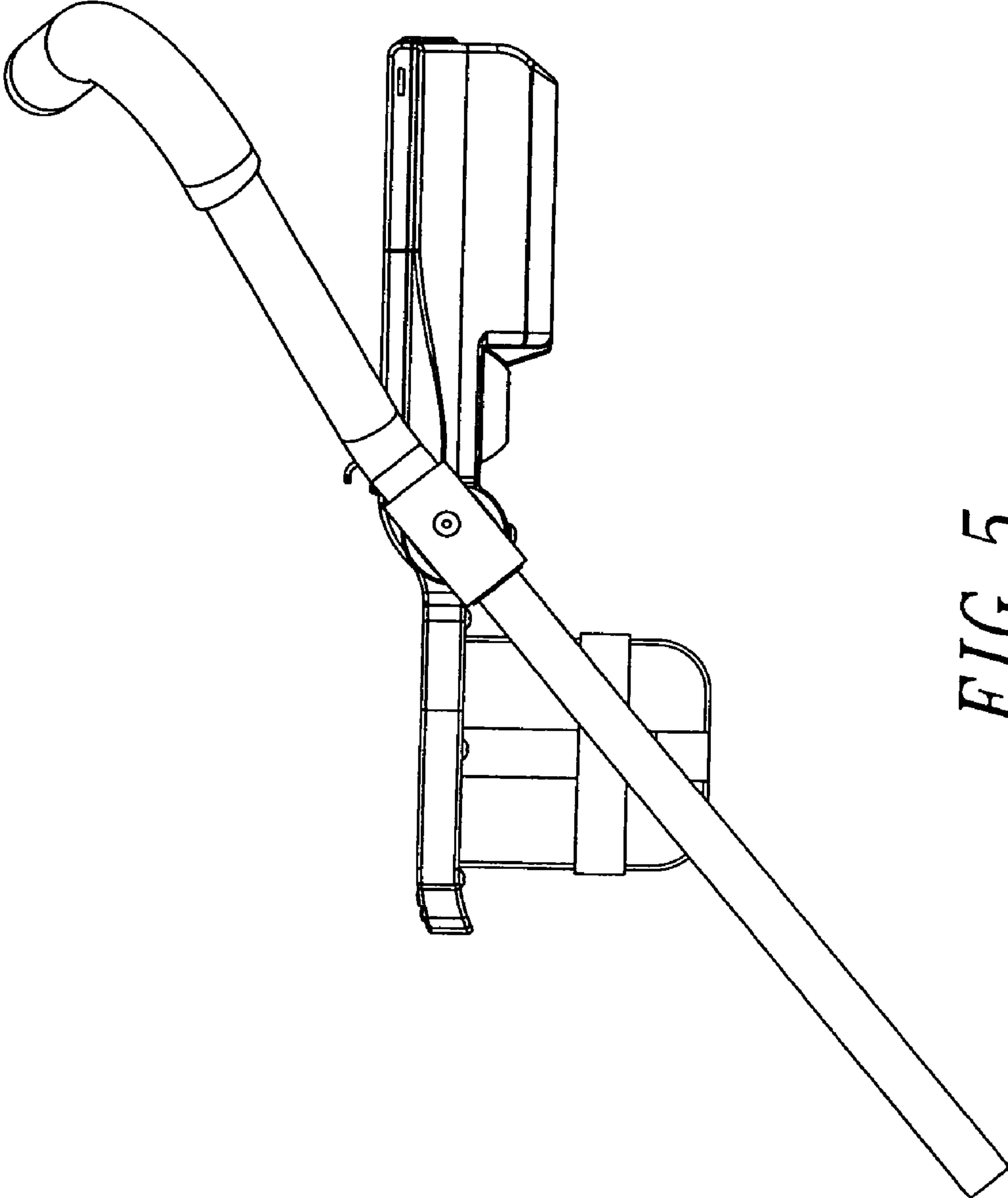


FIG. 5

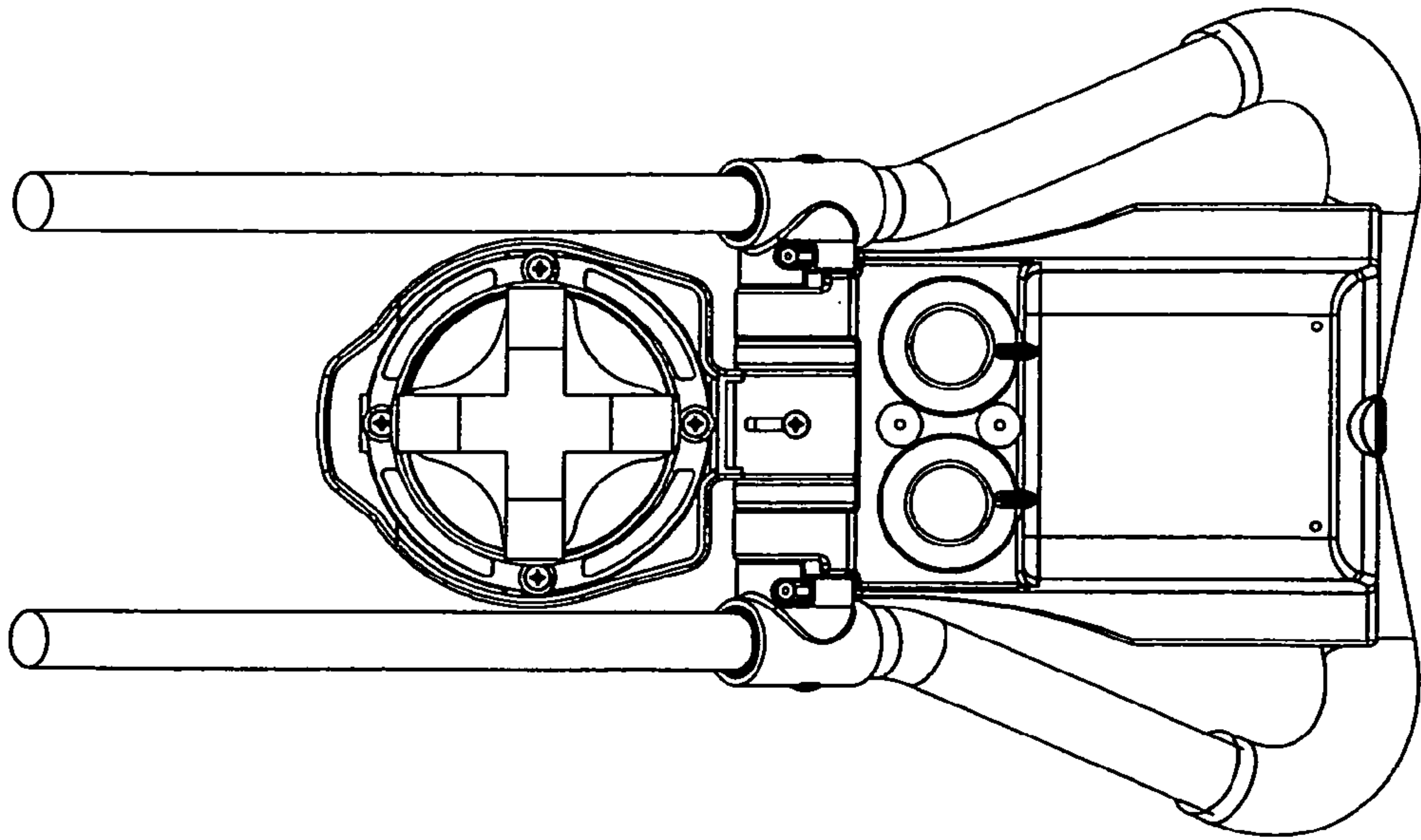


FIG. 7

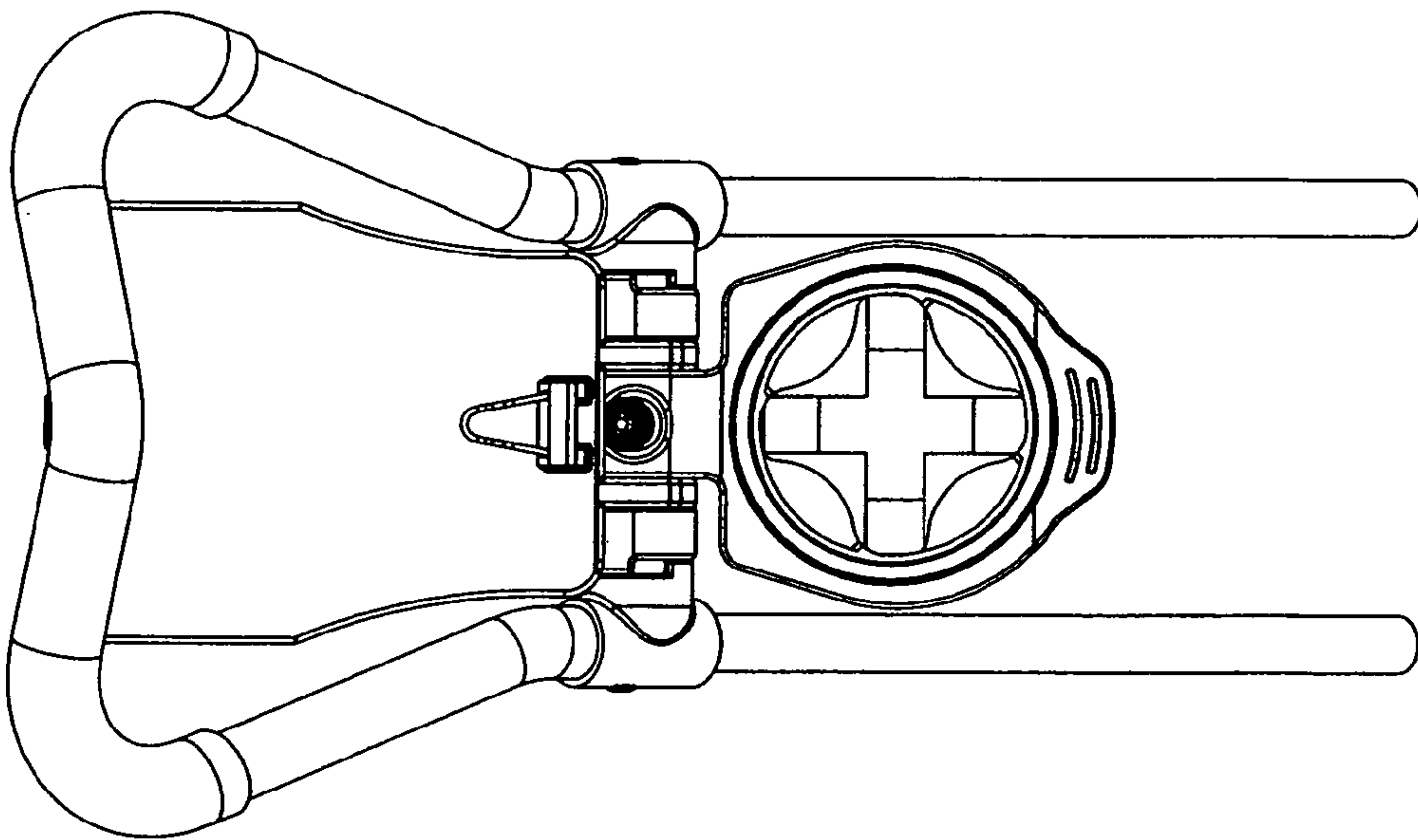


FIG. 6



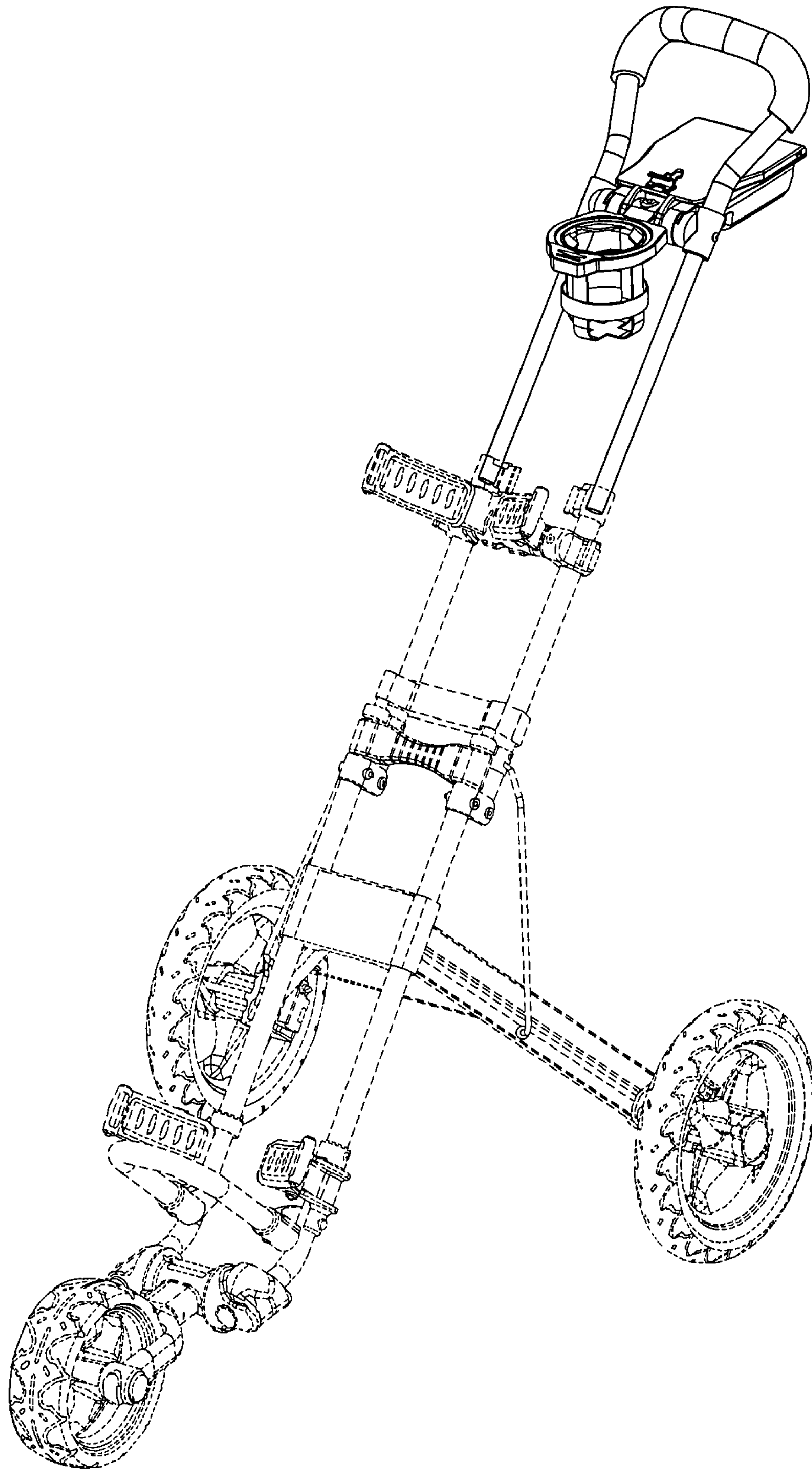


FIG. 8