

US00D547921S

(12) **United States Design Patent** (10) **Patent No.:** **US D547,921 S**
Perelli et al. (45) **Date of Patent:** **** Jul. 31, 2007**

(54) **LADDER CART**

(75) Inventors: **Thomas Perelli**, Winchester, VA (US);
Carl R. Schulz, Winchester, VA (US);
Robert J. Tokash, Stephens City, VA
(US); **Adam Zambanini**, Stephens City,
VA (US)

(73) Assignee: **Rubbermaid Commercial Products
LLC**, Winchester, VA (US)

(**) Term: **14 Years**

(21) Appl. No.: **29/252,370**

(22) Filed: **Jan. 23, 2006**

(51) **LOC (8) Cl.** **12-02**

(52) **U.S. Cl.** **D34/20**

(58) **Field of Classification Search** D34/1-27;
280/47.35, 47.19, 79.2, 79.11, 79.3; 312/249.1,
312/249.11

See application file for complete search history.

(56) **References Cited**

U.S. PATENT DOCUMENTS

2,430,179	A	11/1947	Lanchester	
D219,913	S *	2/1971	Malna	D34/19
3,684,055	A	8/1972	Rice	
3,715,148	A *	2/1973	Beals	312/209
3,750,844	A	8/1973	Pandjiris et al.	
4,106,590	A	8/1978	Tarran	
4,174,021	A	11/1979	Barlock	
4,448,282	A	5/1984	Giezendanner	
D323,051	S *	1/1992	Baggott	D34/19
D335,736	S	5/1993	Isom	
5,294,136	A	3/1994	Dick et al.	
5,566,780	A	10/1996	Bambrough	
5,664,853	A *	9/1997	Nickolaus, Jr.	312/249.12
5,765,842	A *	6/1998	Phaneuf et al.	280/47.35

5,971,424	A	10/1999	Ingalls	
6,050,660	A *	4/2000	Gurley	312/249.1
6,068,356	A *	5/2000	Giuseppe	312/290
6,109,628	A	8/2000	Scheper	
7,147,290	B2 *	12/2006	Arent et al.	312/249.9
D535,452	S *	1/2007	Lim et al.	D34/19
2005/0212239	A1 *	9/2005	Carter	280/47.35

FOREIGN PATENT DOCUMENTS

DE	83 15 331 U1	10/1983
FR	2598133	11/1987

* cited by examiner

Primary Examiner—Cynthia E. Ramirez

(74) *Attorney, Agent, or Firm*—Foley & Lardner LLP

(57) **CLAIM**

The ornamental design for a ladder cart, as shown and described.

DESCRIPTION

FIG. 1 is a top frontal perspective view of a ladder cart according to my new design;

FIG. 2 is a front view of the ladder cart shown in FIG. 1;

FIG. 3 is a back view of the ladder cart shown in FIG. 1;

FIG. 4 is a left side view of the ladder cart shown in FIG. 1;

FIG. 5 is a right side view of the ladder cart shown in FIG. 1;

FIG. 6 is a top view of the ladder cart shown in FIG. 1; and,

FIG. 7 is a bottom view of the ladder cart shown in FIG. 1.

The ornamental design that is claimed is shown in solid lines in the drawings. The broken lines in the drawings are for illustrative purposes only and form no part of the claimed design.

1 Claim, 7 Drawing Sheets

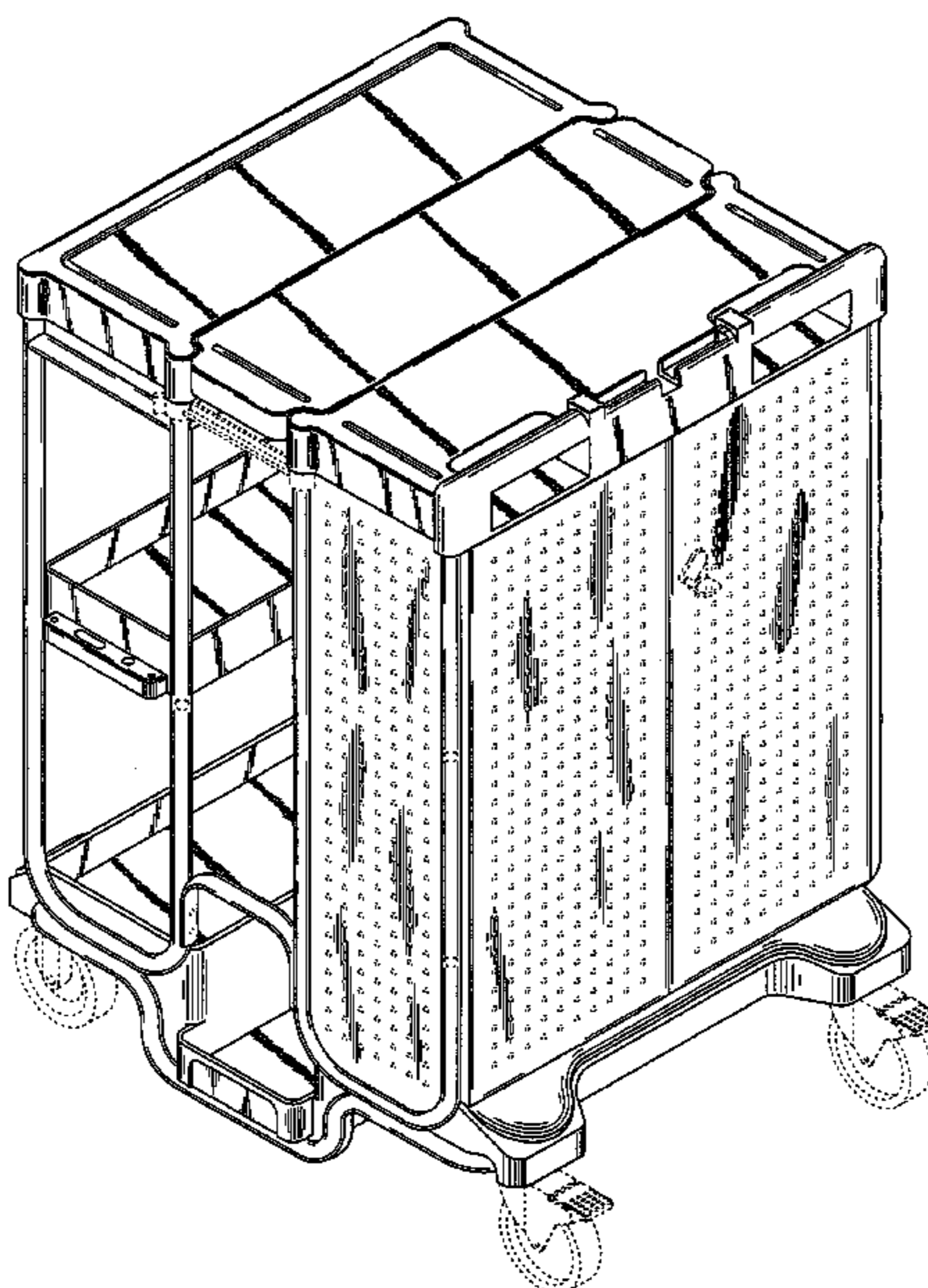


Fig. 1

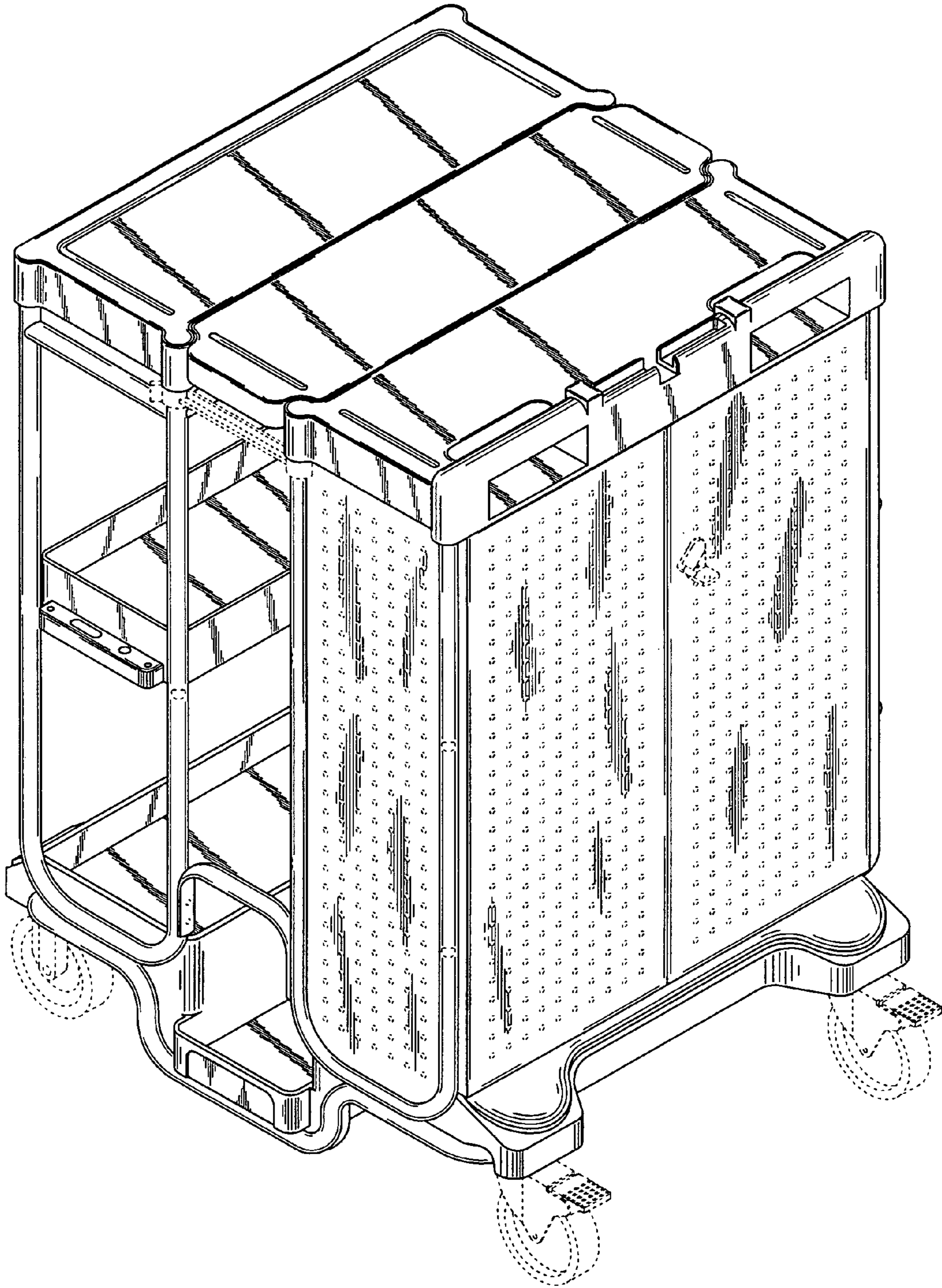


Fig. 2

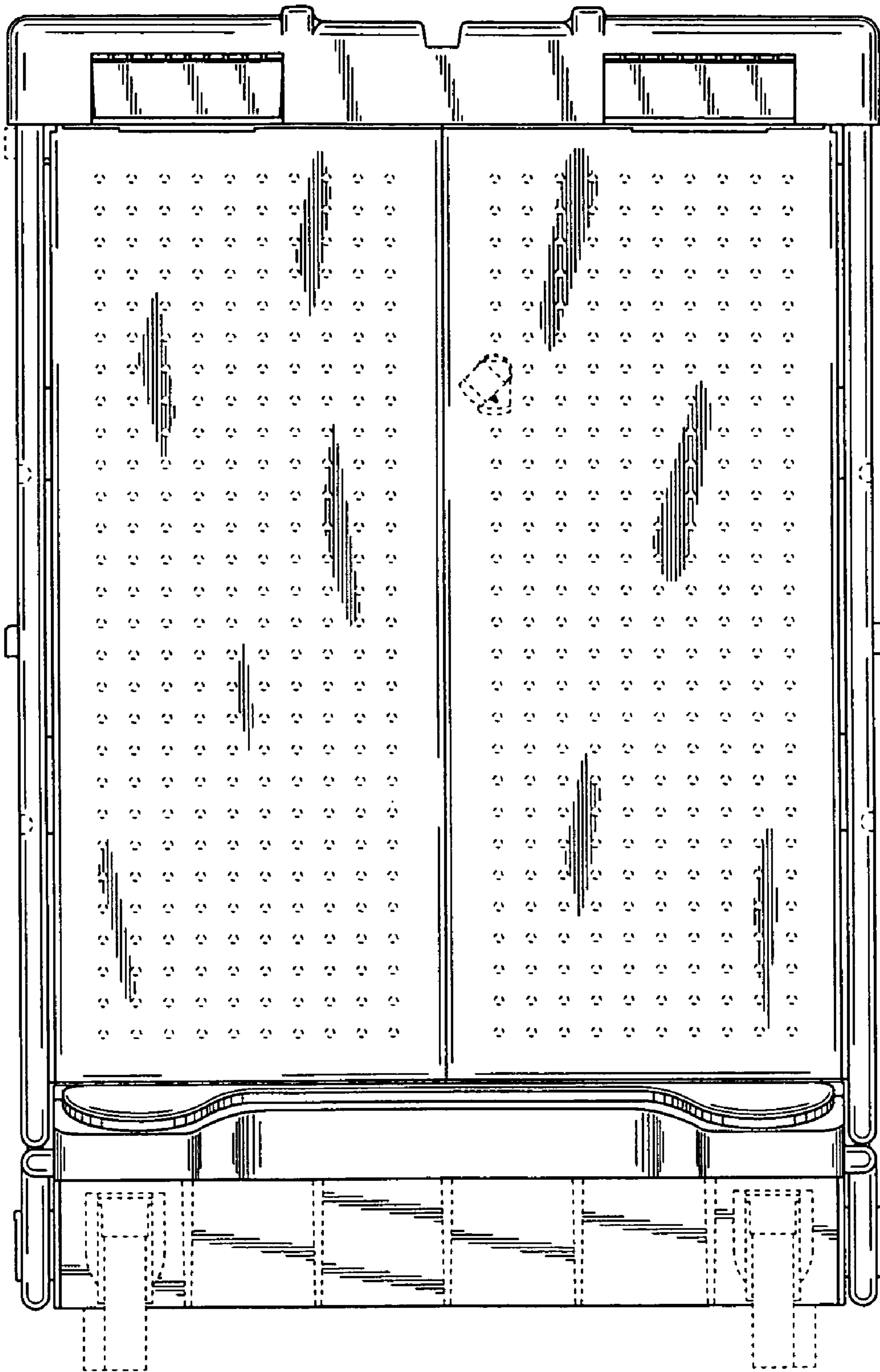


Fig. 3

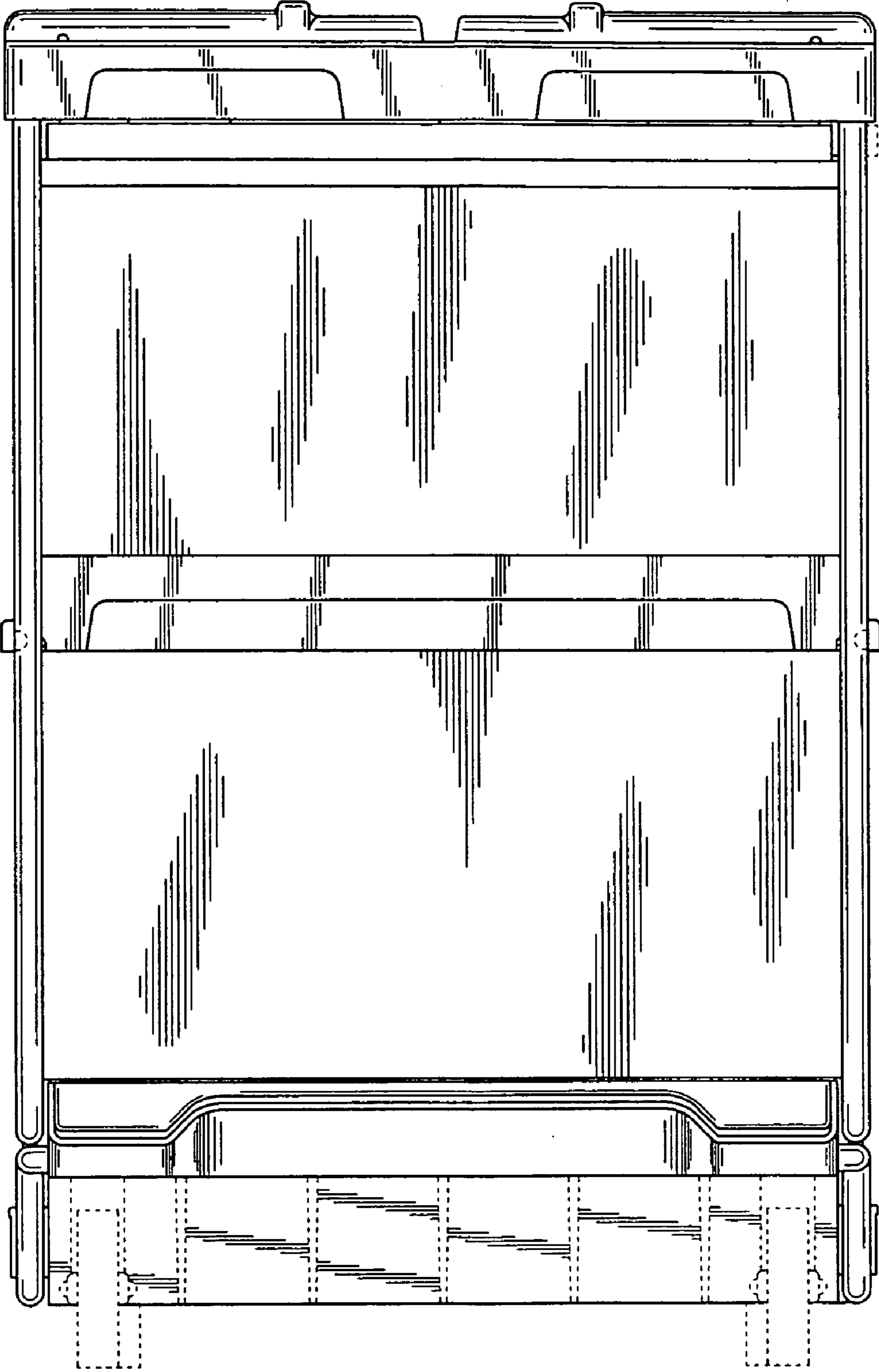


Fig. 4

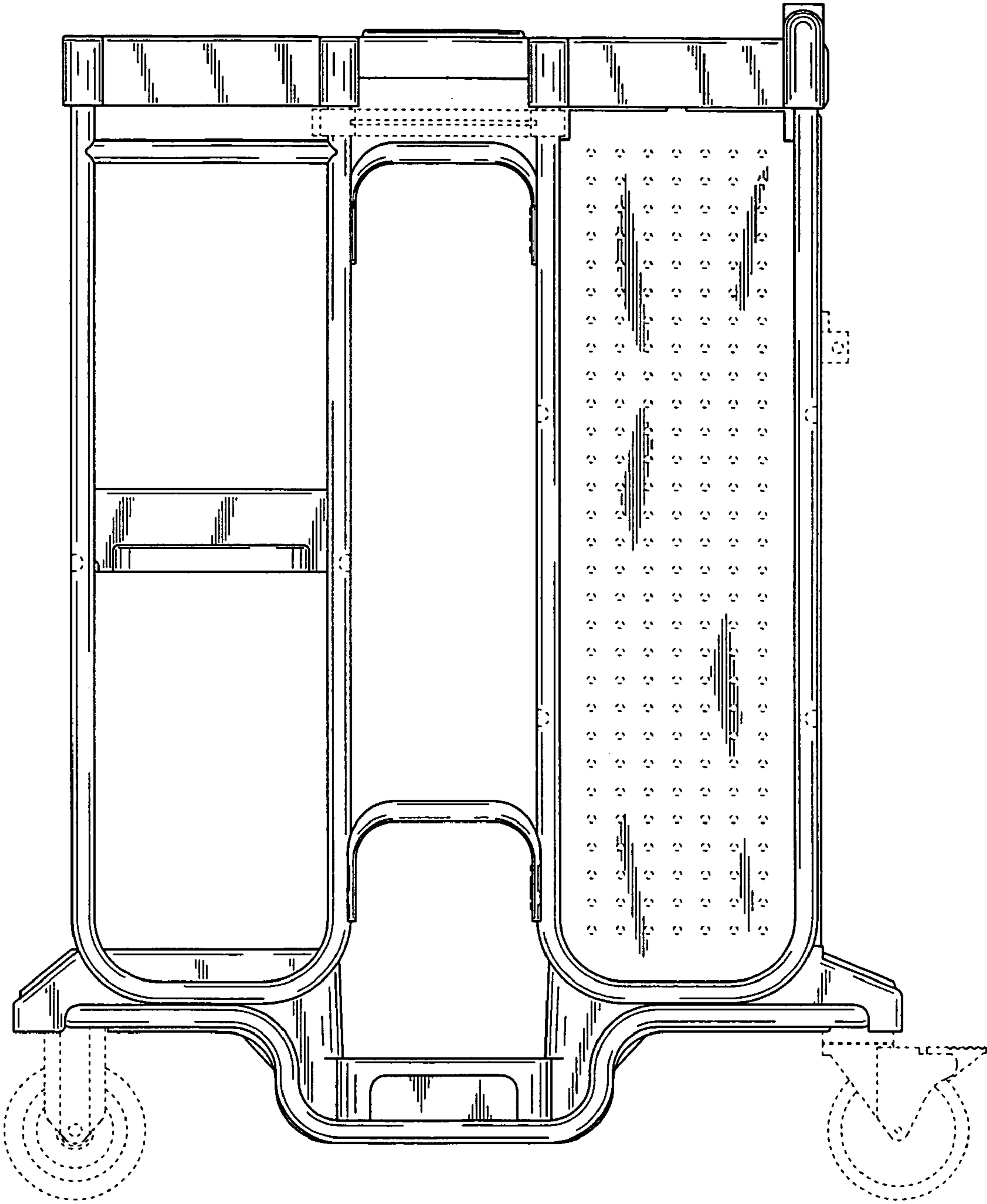


Fig. 5

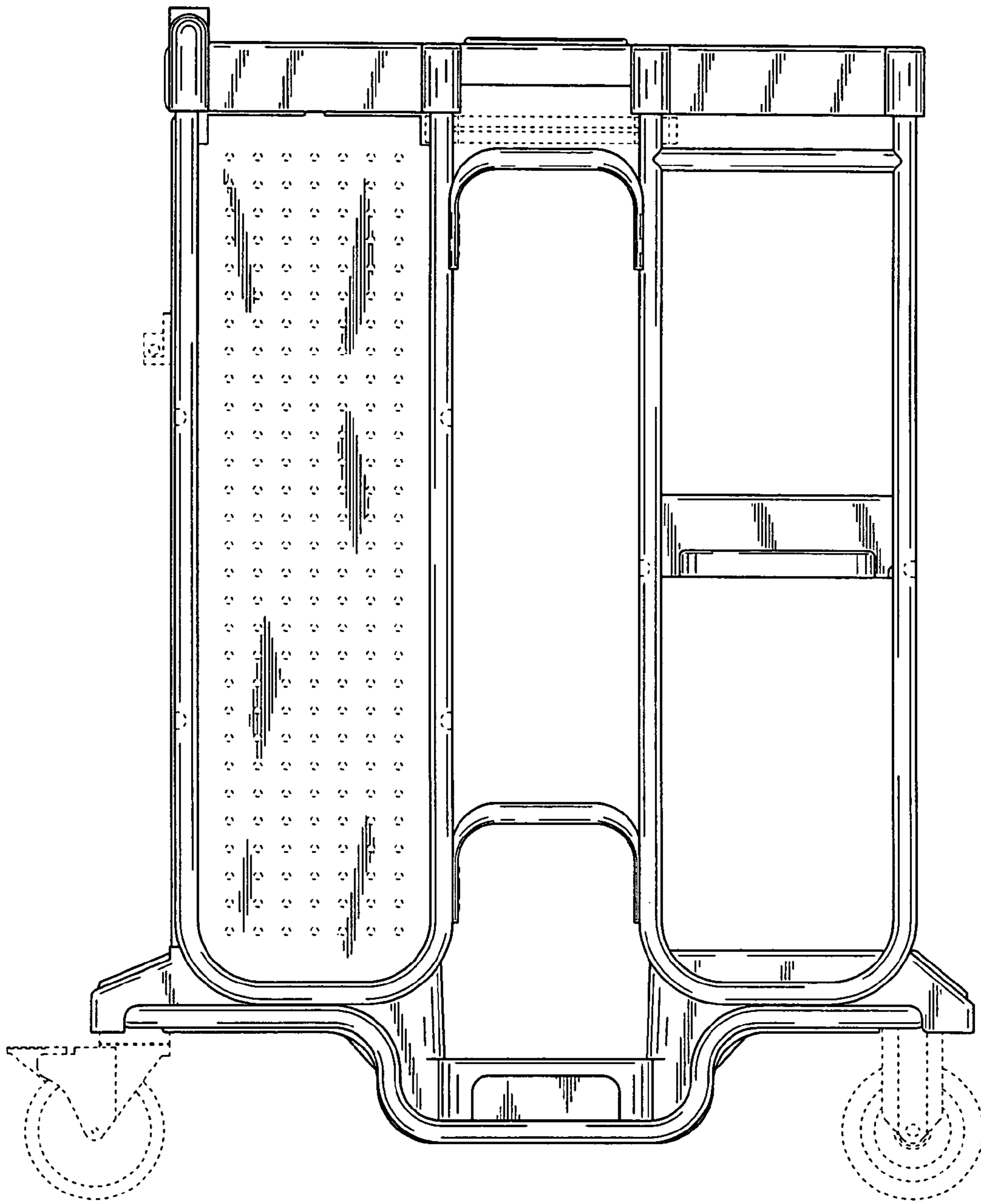


Fig. 6

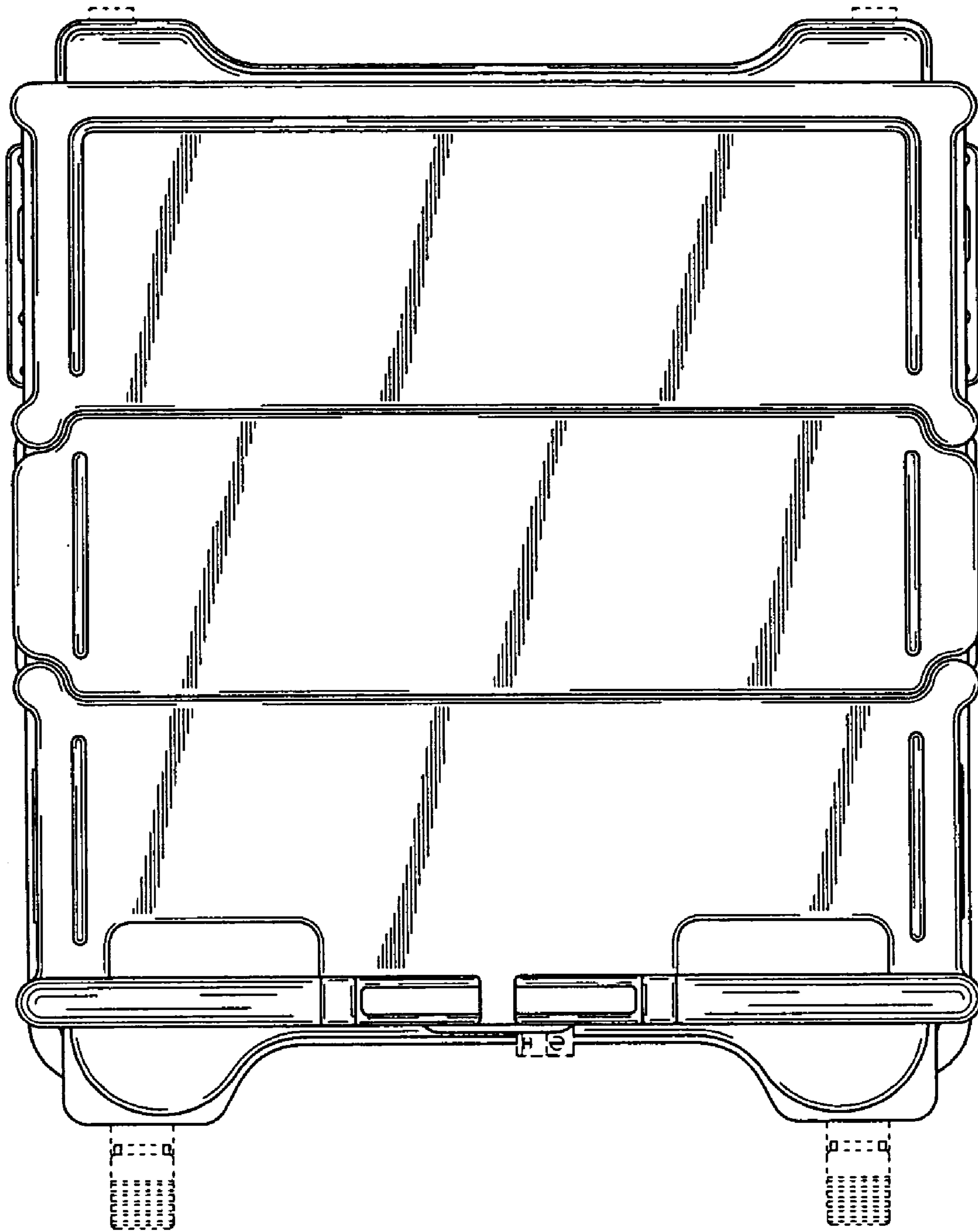


Fig. 7

