



US00D547920S

(12) **United States Design Patent**  
**Kinsley et al.**

(10) **Patent No.: US D547,920 S**  
(45) **Date of Patent: \*\* Jul. 31, 2007**

(54) **COMPUTER CART**

(75) Inventors: **Mark Anthony Kinsley**, Elmhurst, IL (US); **Philip John Sopicki**, Glenview, IL (US)

(73) Assignee: **Bretford Manufacturing, Inc.**, Franklin Park, IL (US)

(\*\*) Term: **14 Years**

(21) Appl. No.: **29/257,361**

(22) Filed: **Apr. 3, 2006**

(51) **LOC (8) Cl.** ..... **12-02**

(52) **U.S. Cl.** ..... **D34/19**

(58) **Field of Classification Search** ..... D34/12-27;  
280/47.35, 47.19, 79.2, 79.11; 312/249.1,  
312/249.11

See application file for complete search history.

(56) **References Cited**

U.S. PATENT DOCUMENTS

D219,913 S *	2/1971	Malna	.....	D34/19
3,715,148 A *	2/1973	Beals	.....	312/209
D323,051 S *	1/1992	Baggott	.....	D34/19
5,664,853 A *	9/1997	Nickolaus, Jr.	.....	312/249.12
5,765,842 A *	6/1998	Phaneuf et al.	.....	280/47.35
6,050,660 A *	4/2000	Gurley	.....	312/249.1
6,068,356 A *	5/2000	Giuseppe	.....	312/290
7,147,290 B2 *	12/2006	Arent et al.	.....	312/249.9
D535,452 S *	1/2007	Lim et al.	.....	D34/19
2003/0141687 A1	7/2003	Wixted et al.		
2005/0212239 A1 *	9/2005	Carter	.....	280/47.35

\* cited by examiner

*Primary Examiner*—Cynthia E. Ramirez

(74) *Attorney, Agent, or Firm*—John C. Gorecki

(57) **CLAIM**

The ornamental design for a computer cart, as shown and described.

**DESCRIPTION**

FIG. 1 is a front perspective view of a computer cart embodying our novel design;

FIG. 2 is an elevation view of the front of the computer cart of FIG. 1;

FIG. 3 is an elevation view of the left side of the computer cart of FIG. 1;

FIG. 4 is an elevation view of the right side of the computer cart of FIG. 1;

FIG. 5 is an elevation view of the back of the computer cart of FIG. 1;

FIG. 6 is a top plan view of the computer cart of FIG. 1;

FIG. 7 is a bottom plan view of the computer cart of FIG. 1;

FIG. 8 is a front perspective view of another embodiment of a computer cart embodying our novel design, the difference being the narrower front dimension of the computer cart;

FIG. 9 is an elevation view of the front of the computer cart of FIG. 8;

FIG. 10 is an elevation view of the left side of the computer cart of FIG. 8;

FIG. 11 is an elevation view of the right side of the computer cart of FIG. 8;

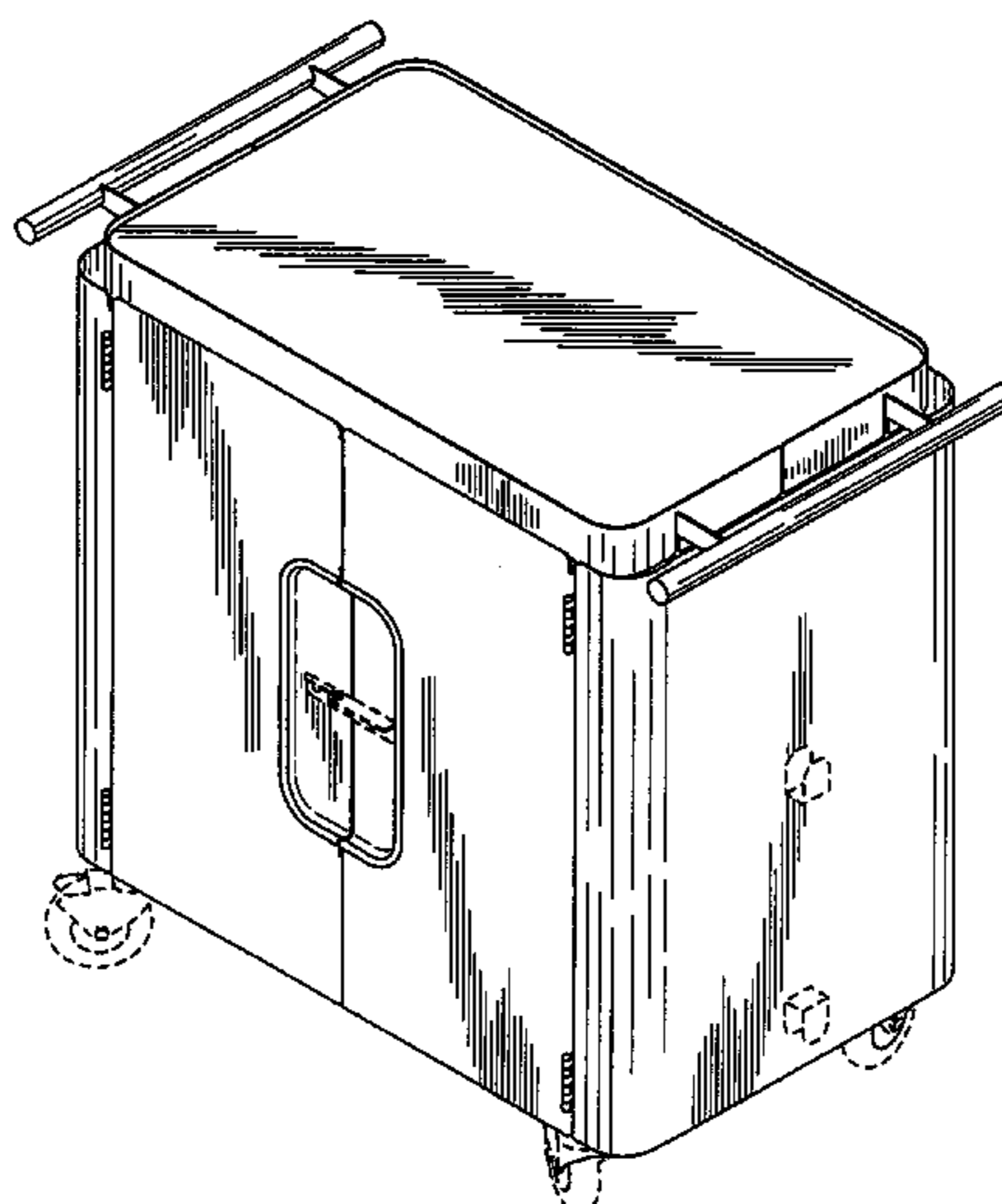
FIG. 12 is an elevation view of the back of the computer cart of FIG. 8;

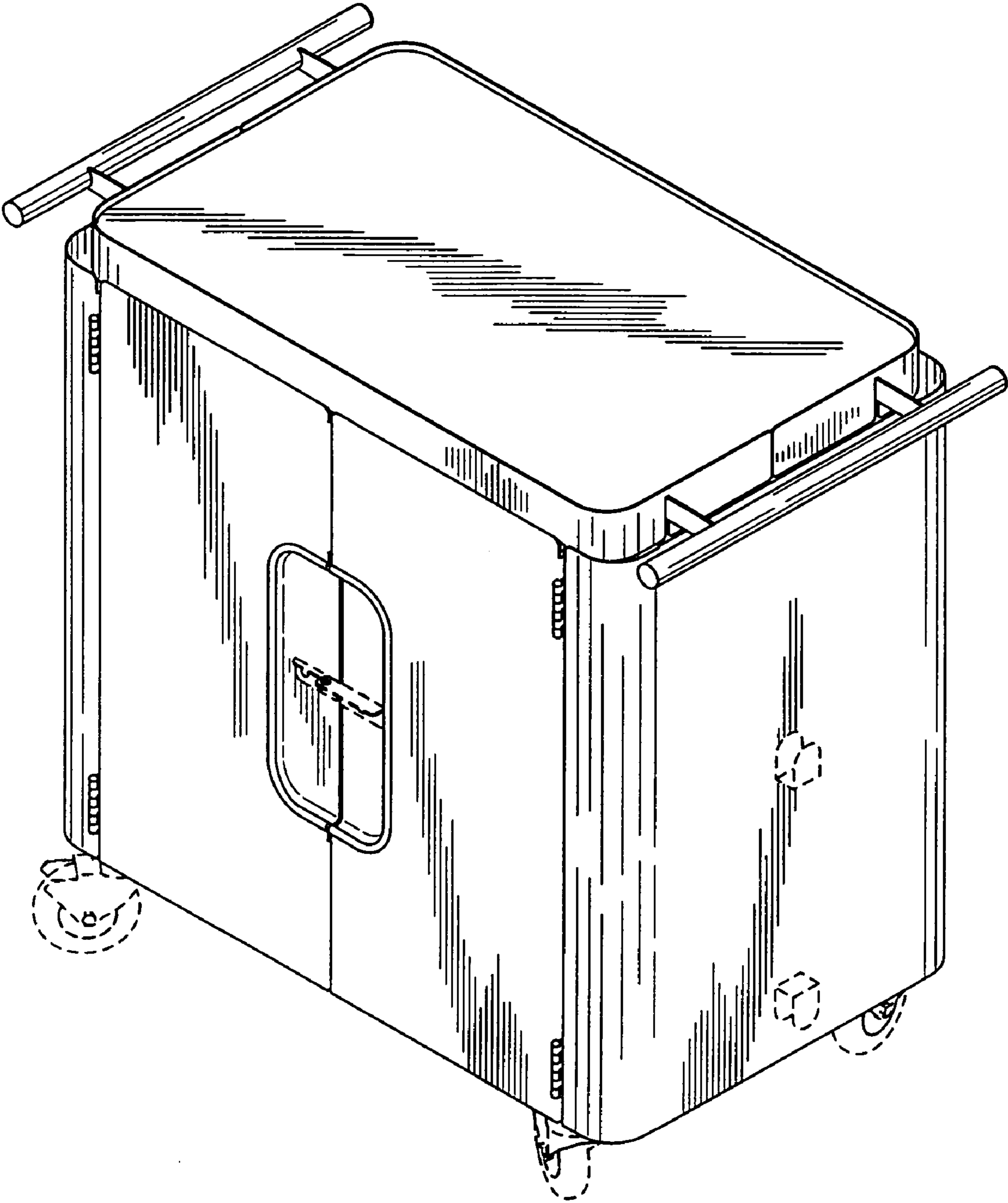
FIG. 13 is a top plan view of the computer cart of FIG. 8; and,

FIG. 14 is a bottom plan view of the computer cart of FIG. 8.

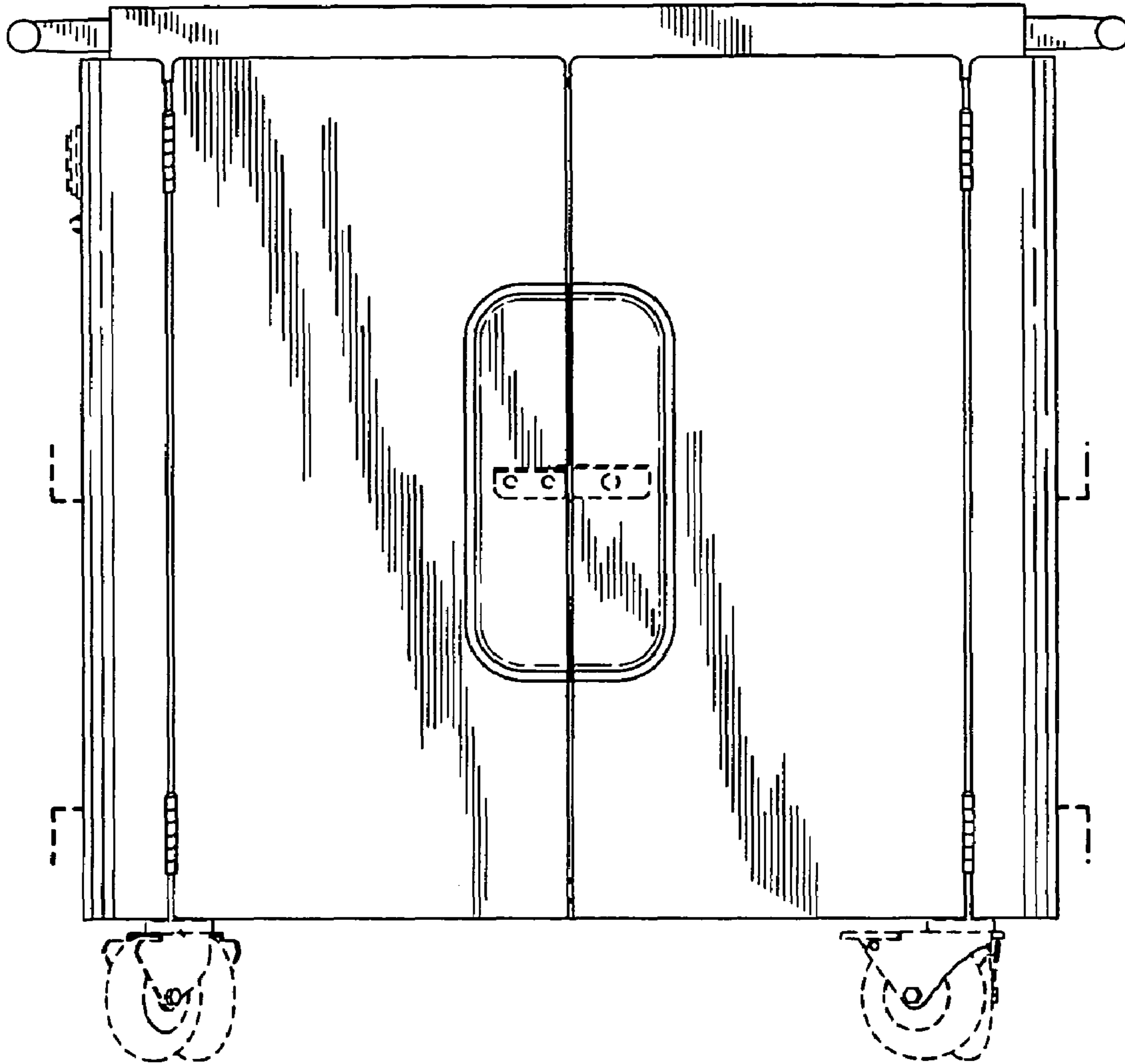
The broken lines shown in the drawings are for illustrative purposes only and form no part of the claimed design.

**1 Claim, 14 Drawing Sheets**

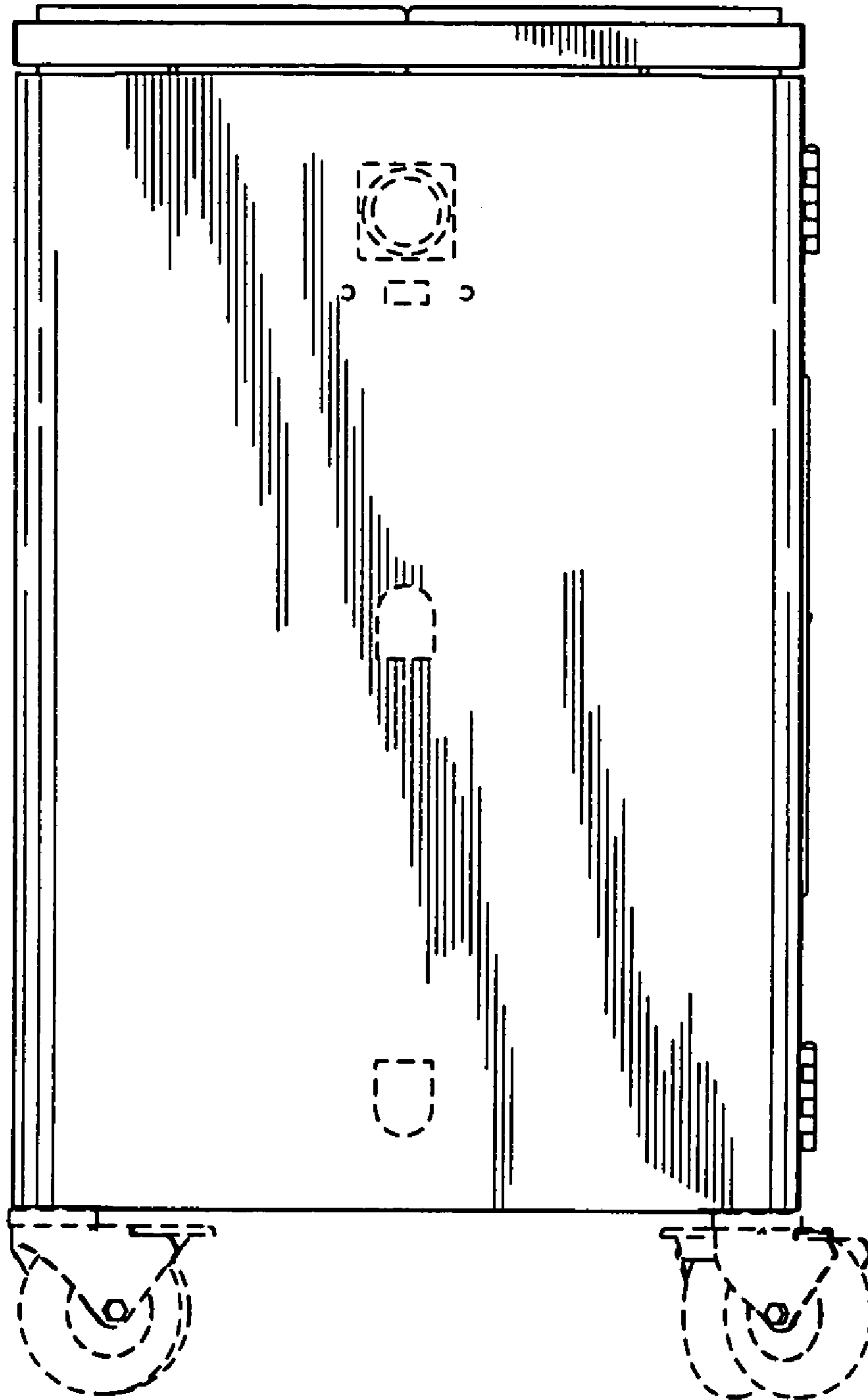




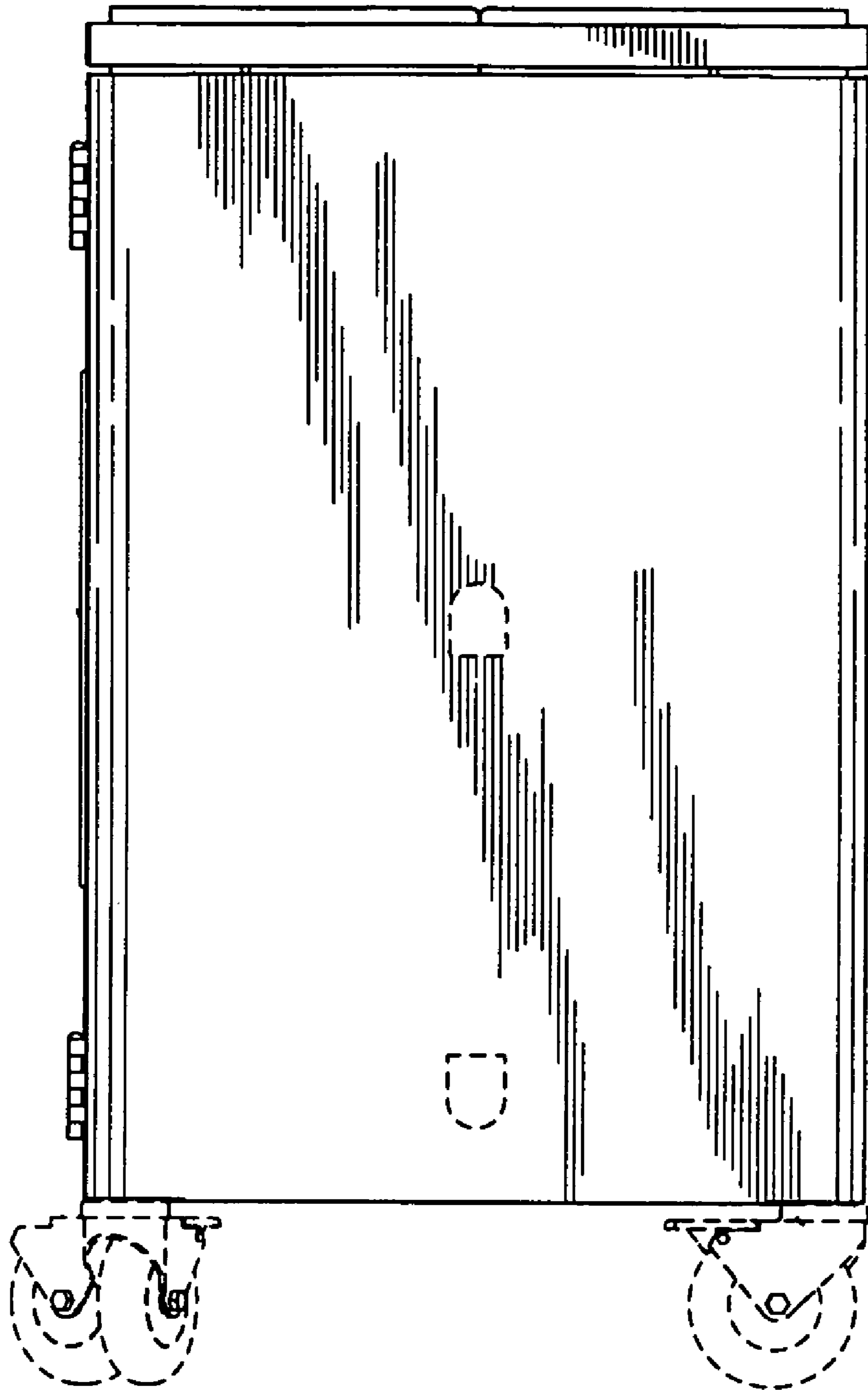
**FIG. 1**



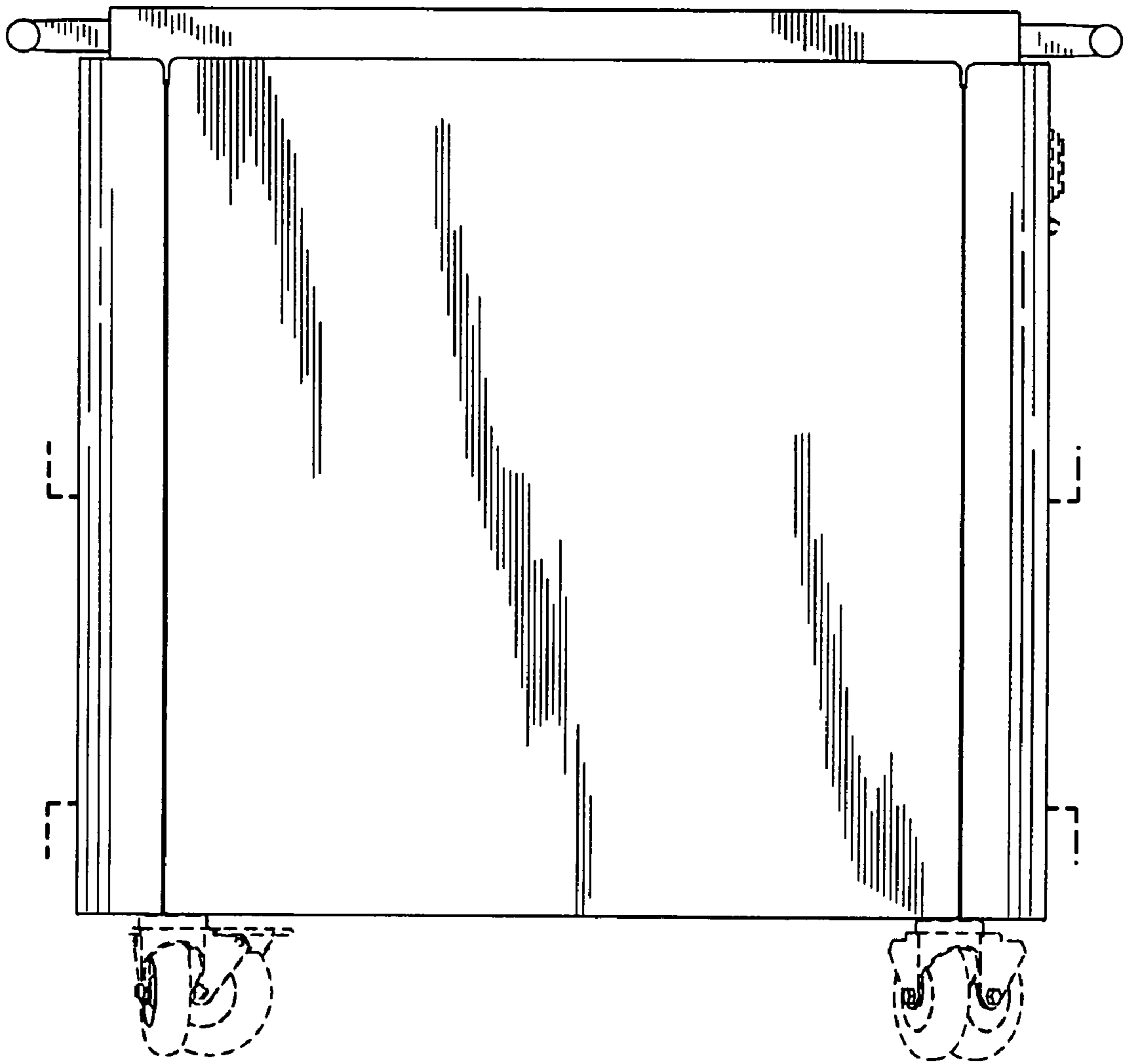
**FIG. 2**



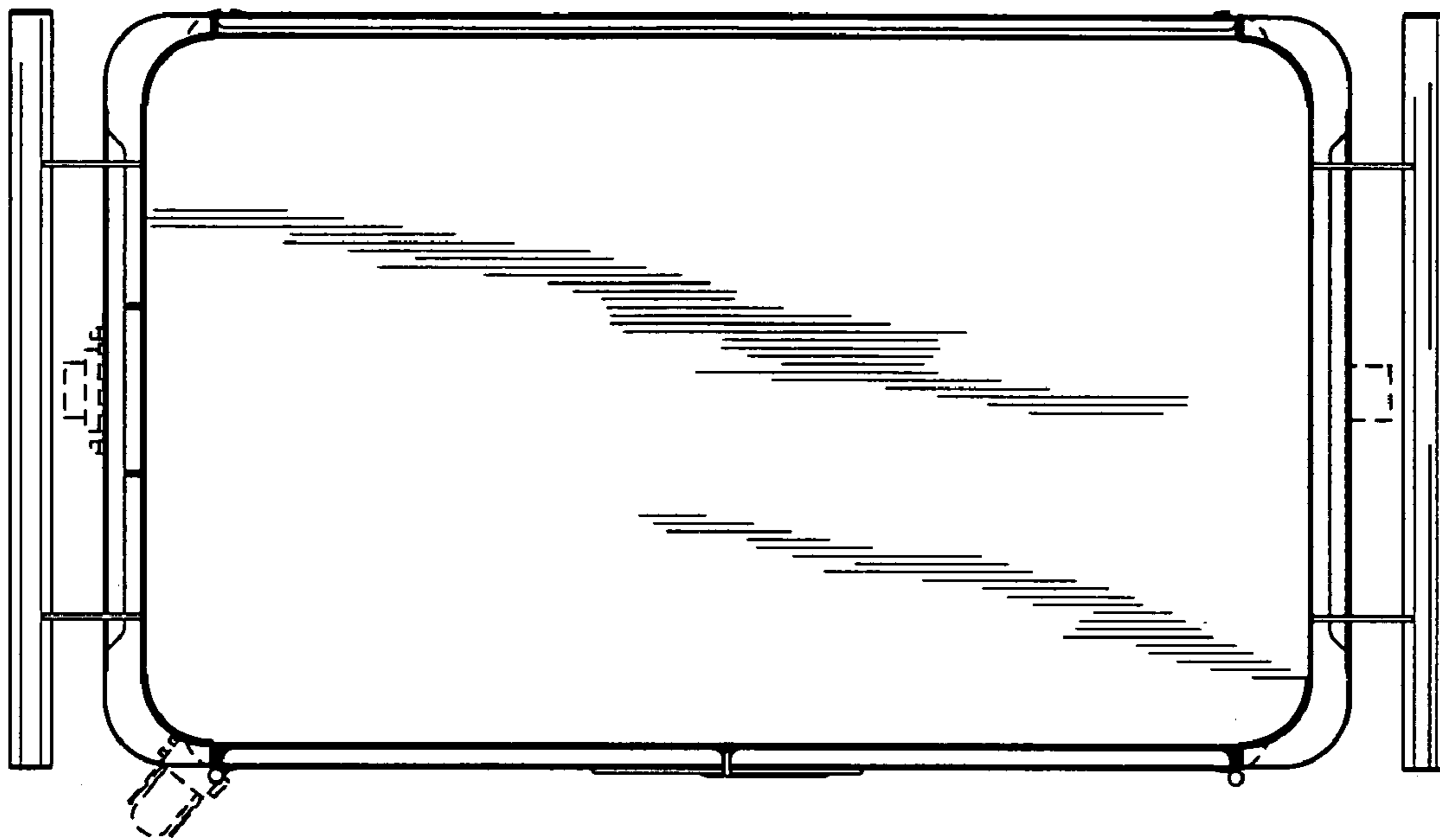
**FIG. 3**



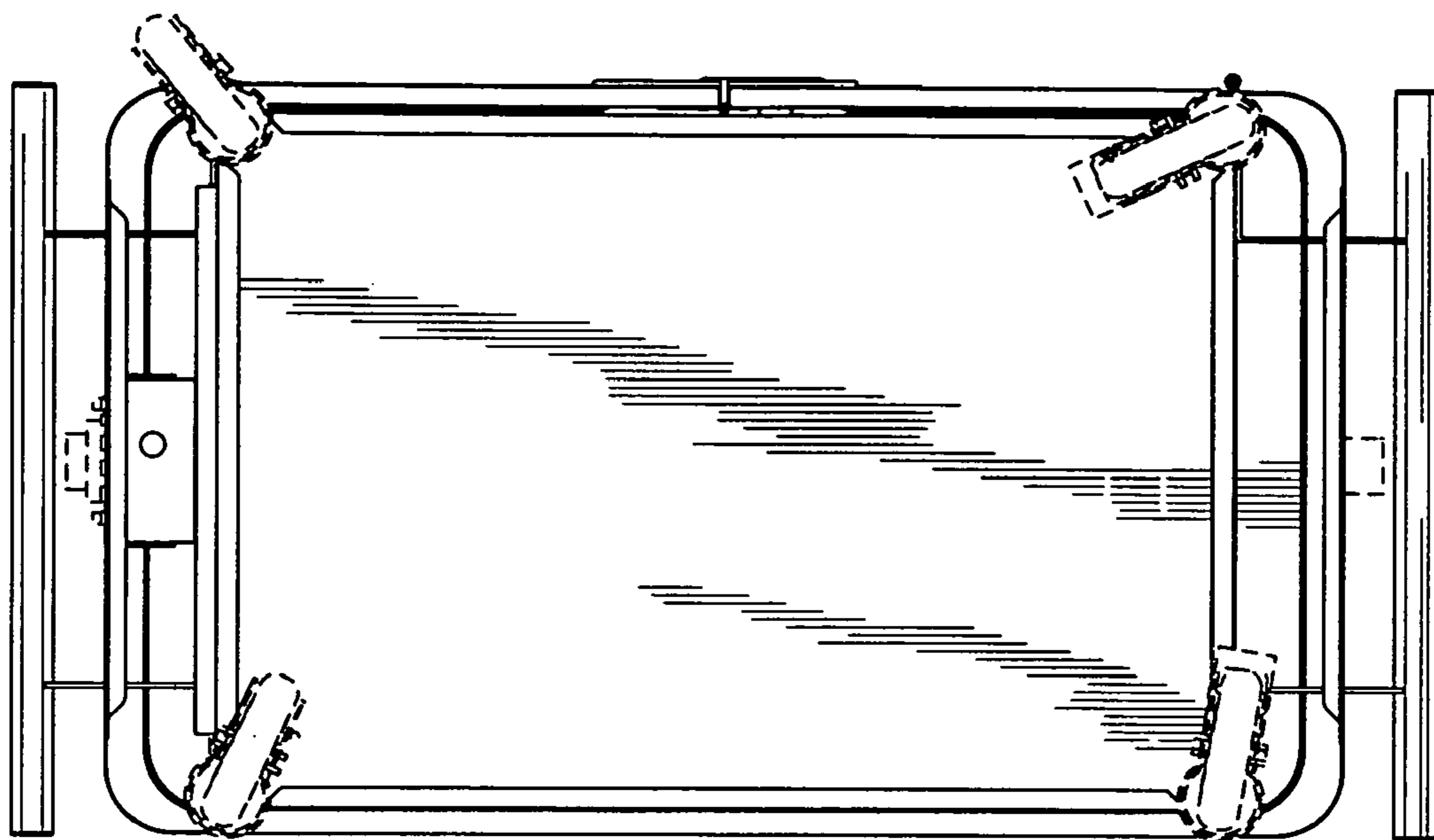
**FIG. 4**



**FIG. 5**

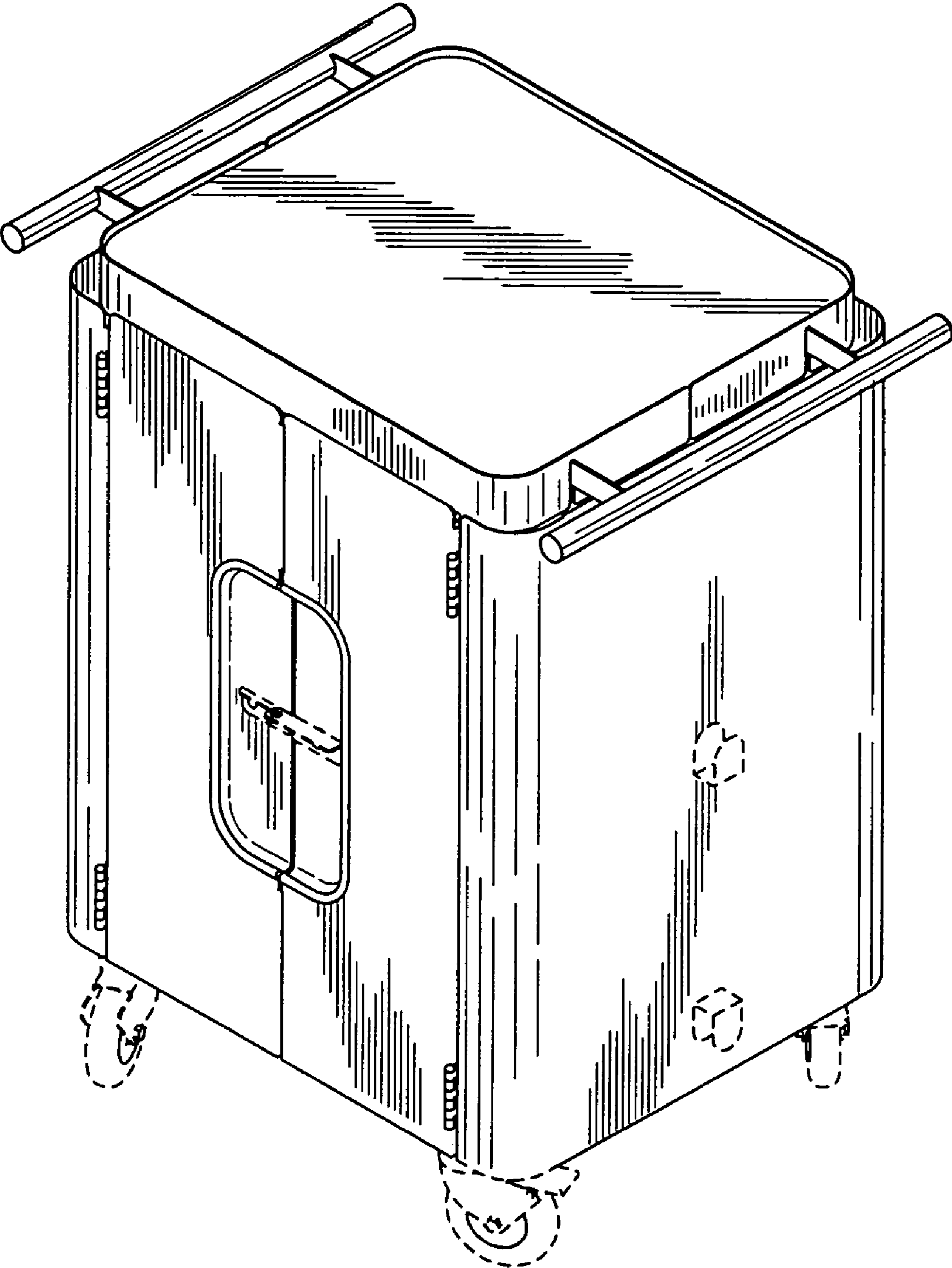


**FIG. 6**

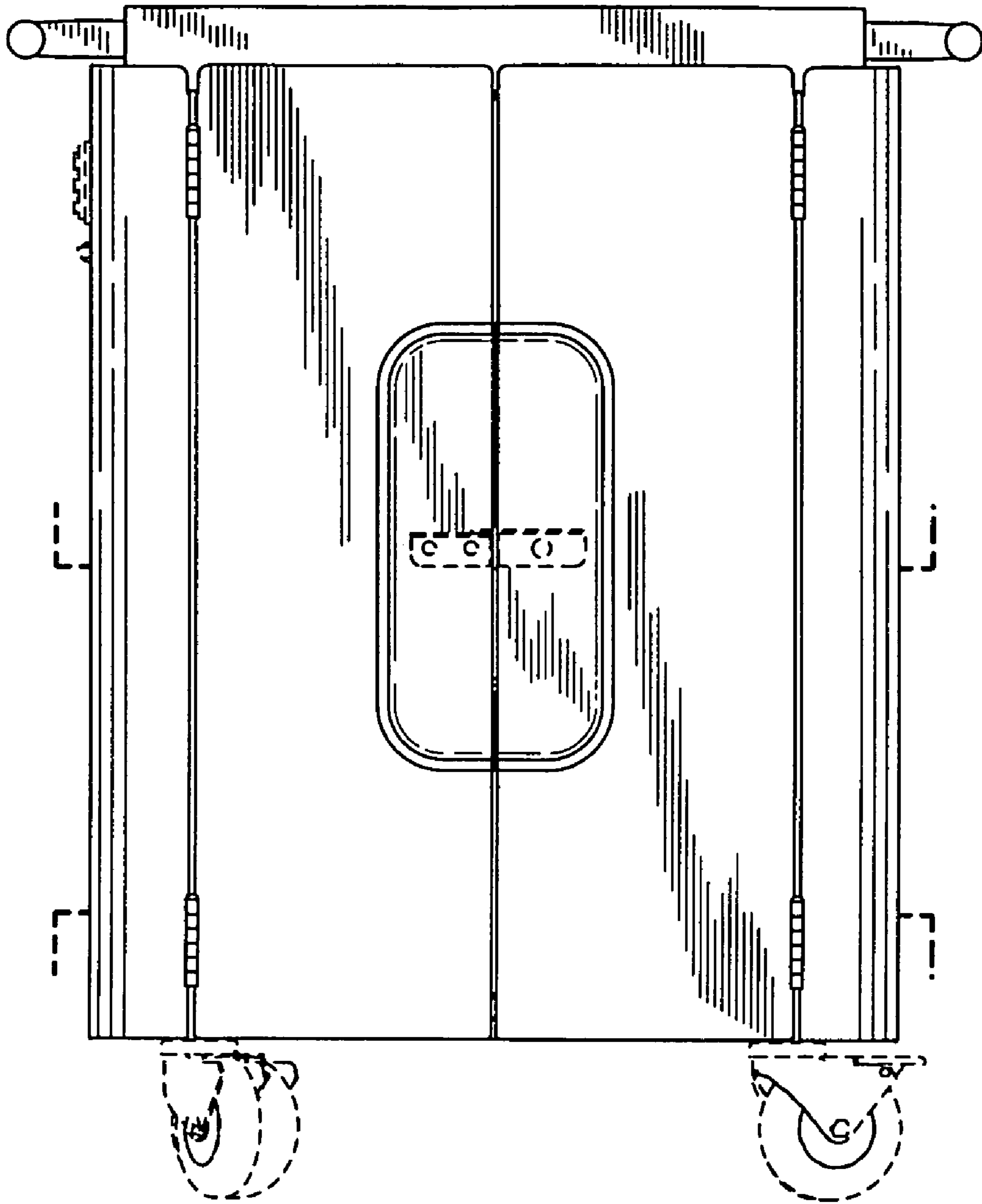


**FIG. 7**

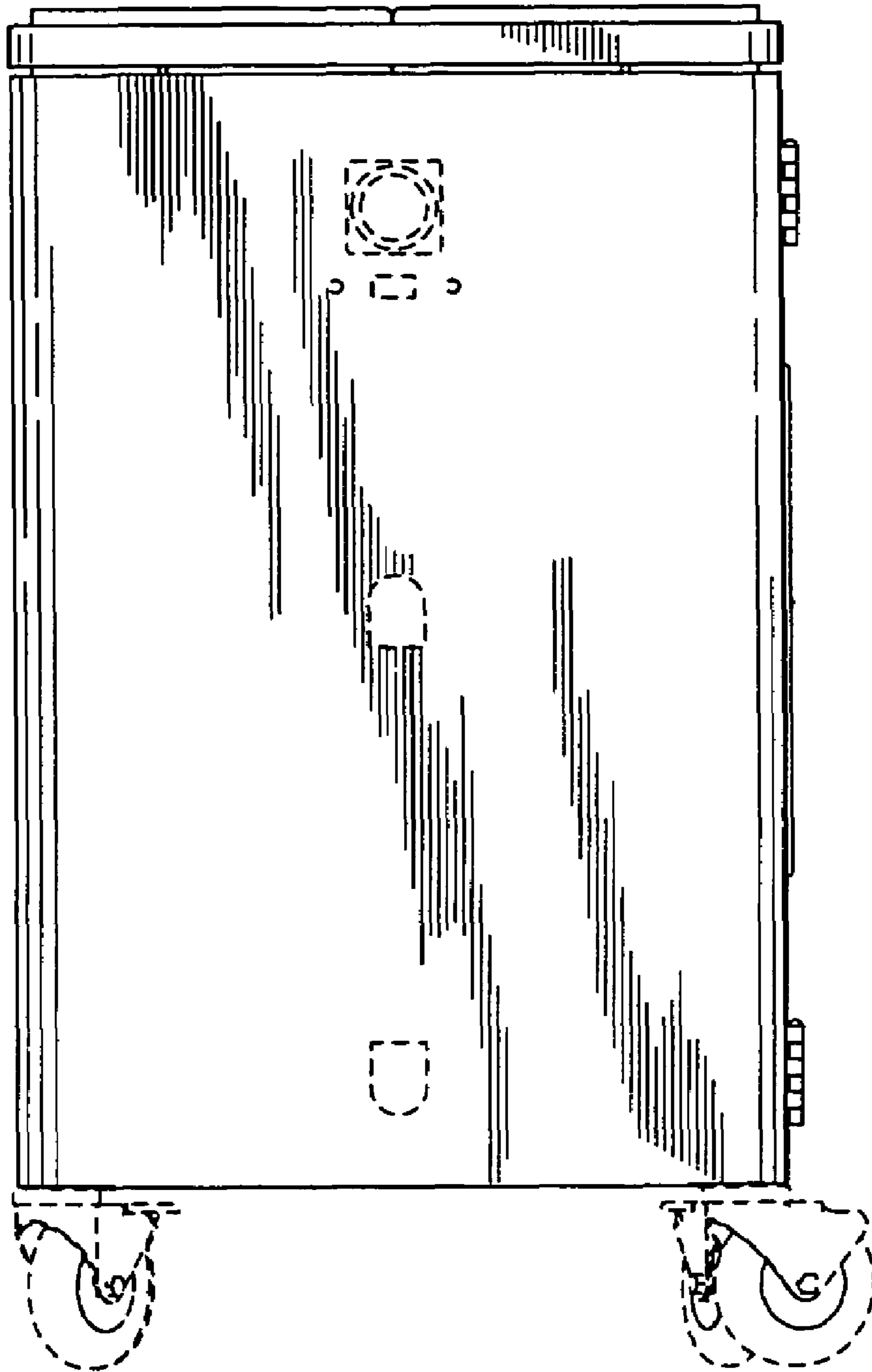




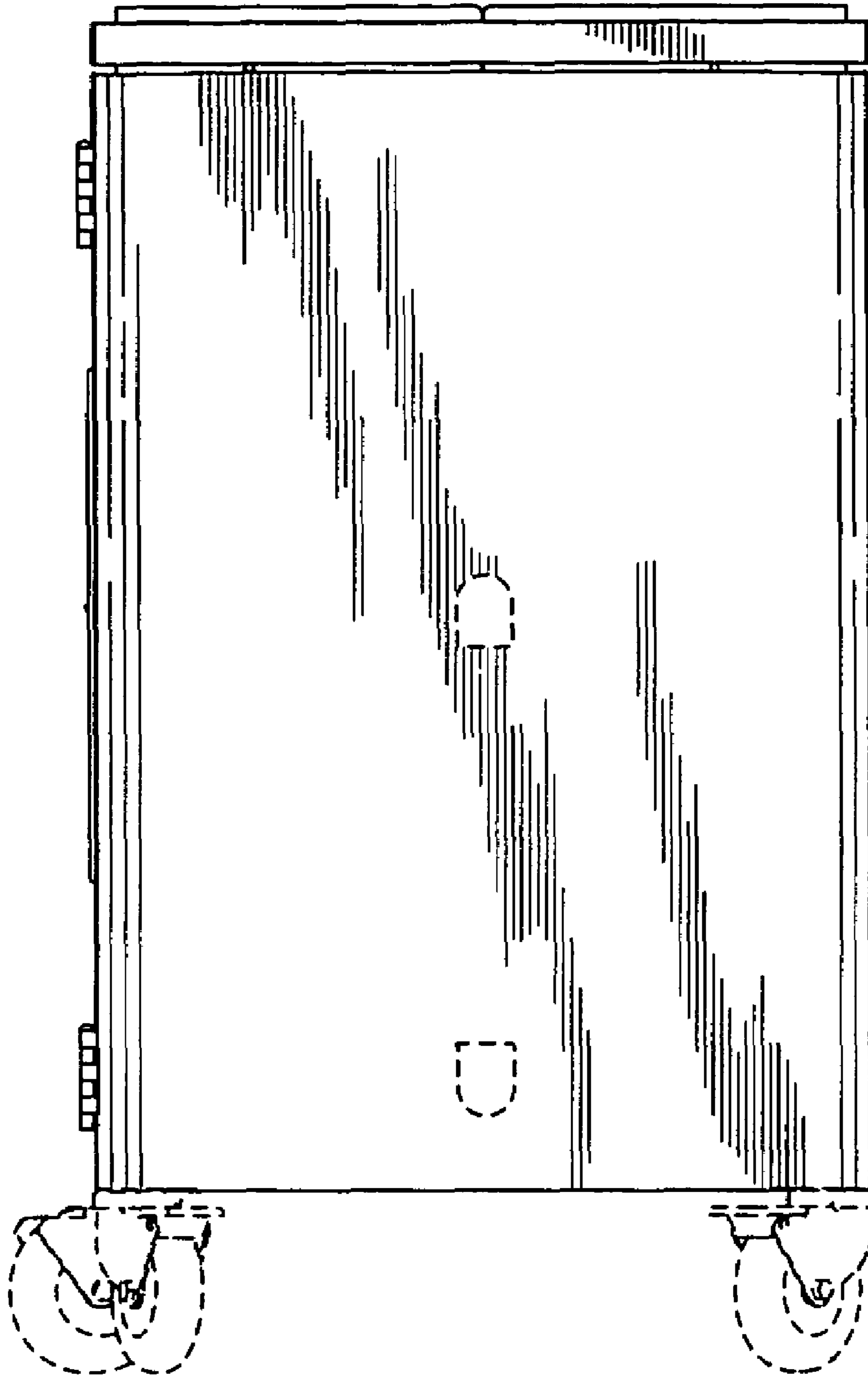
**FIG. 8**



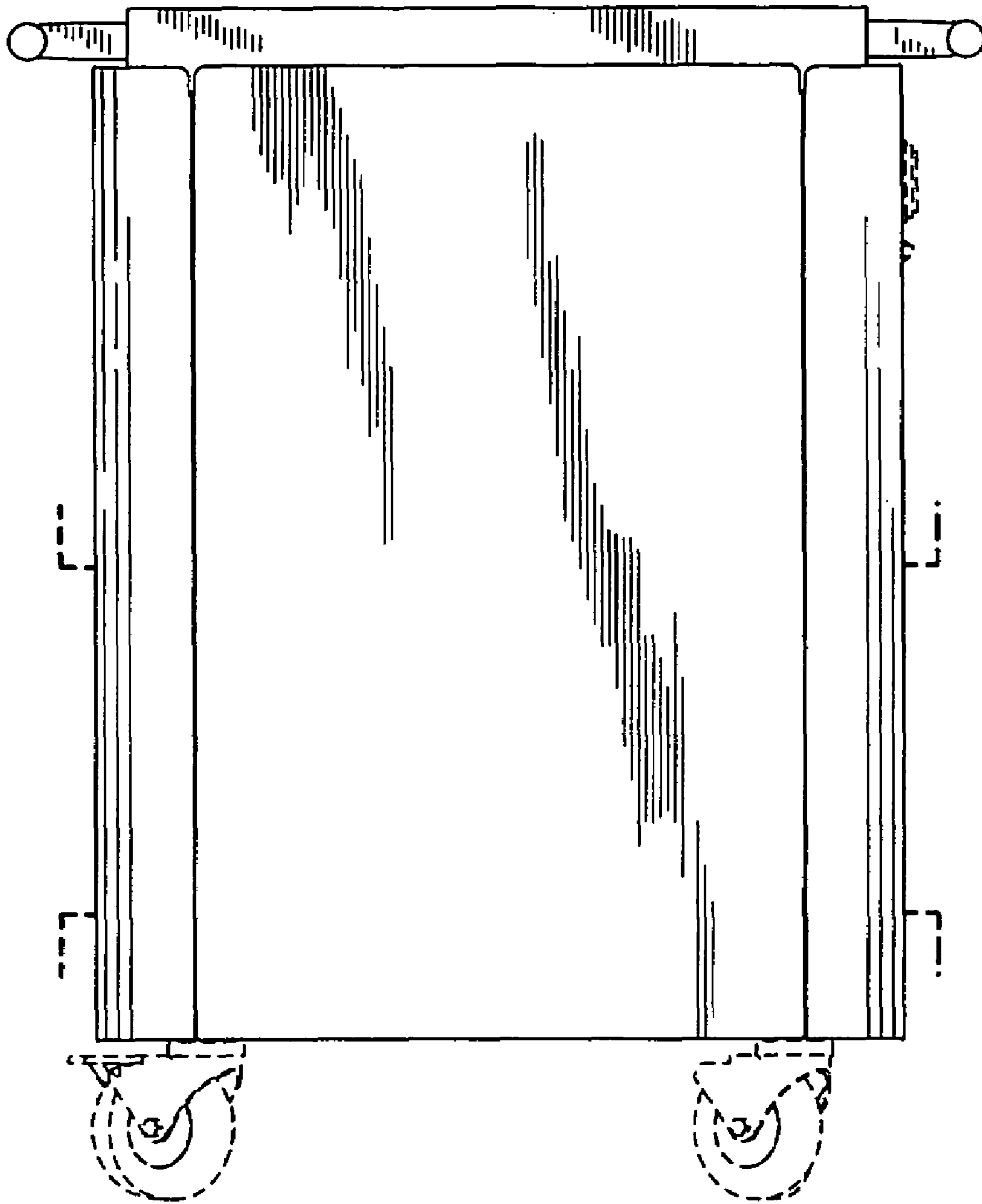
**FIG. 9**



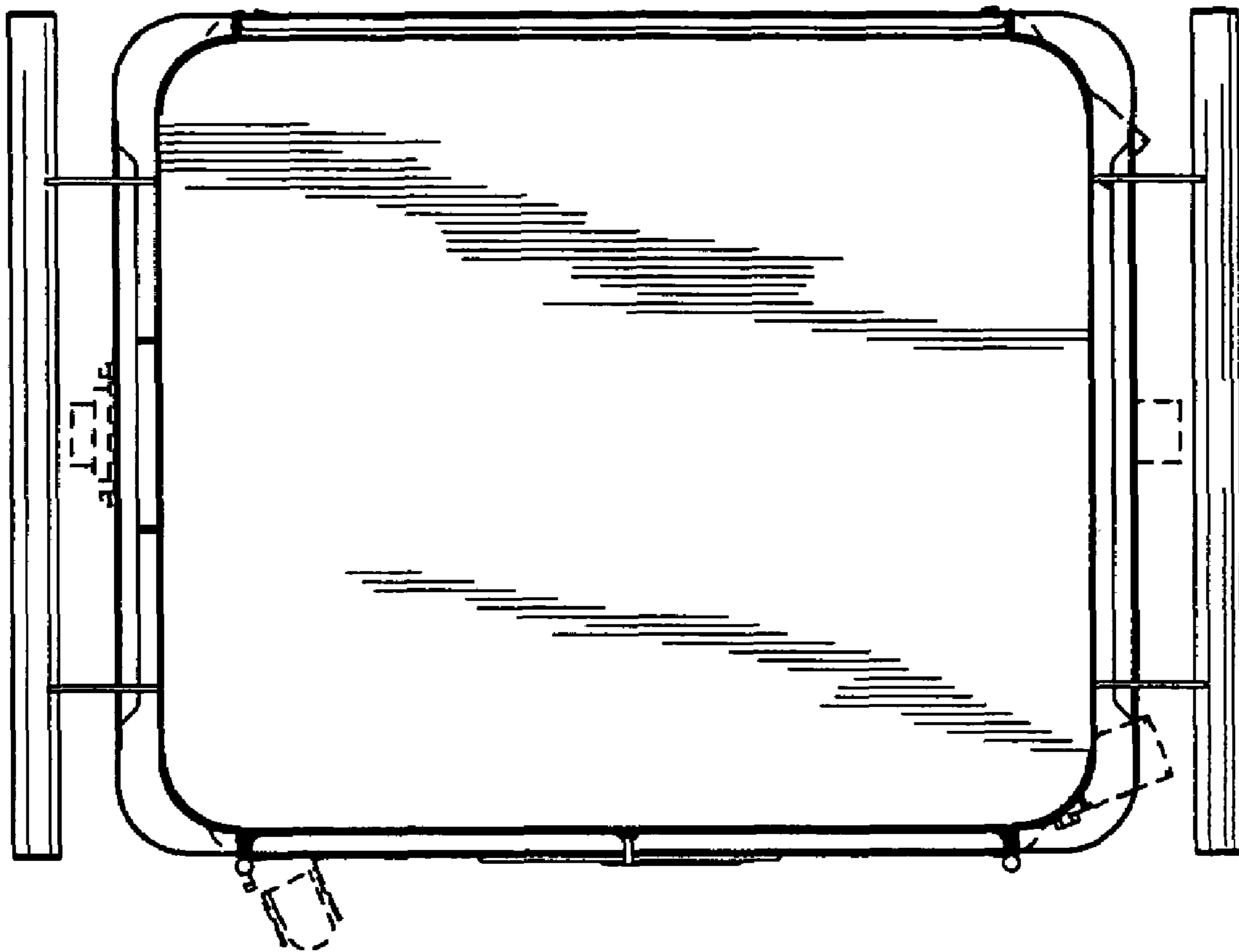
**FIG. 10**



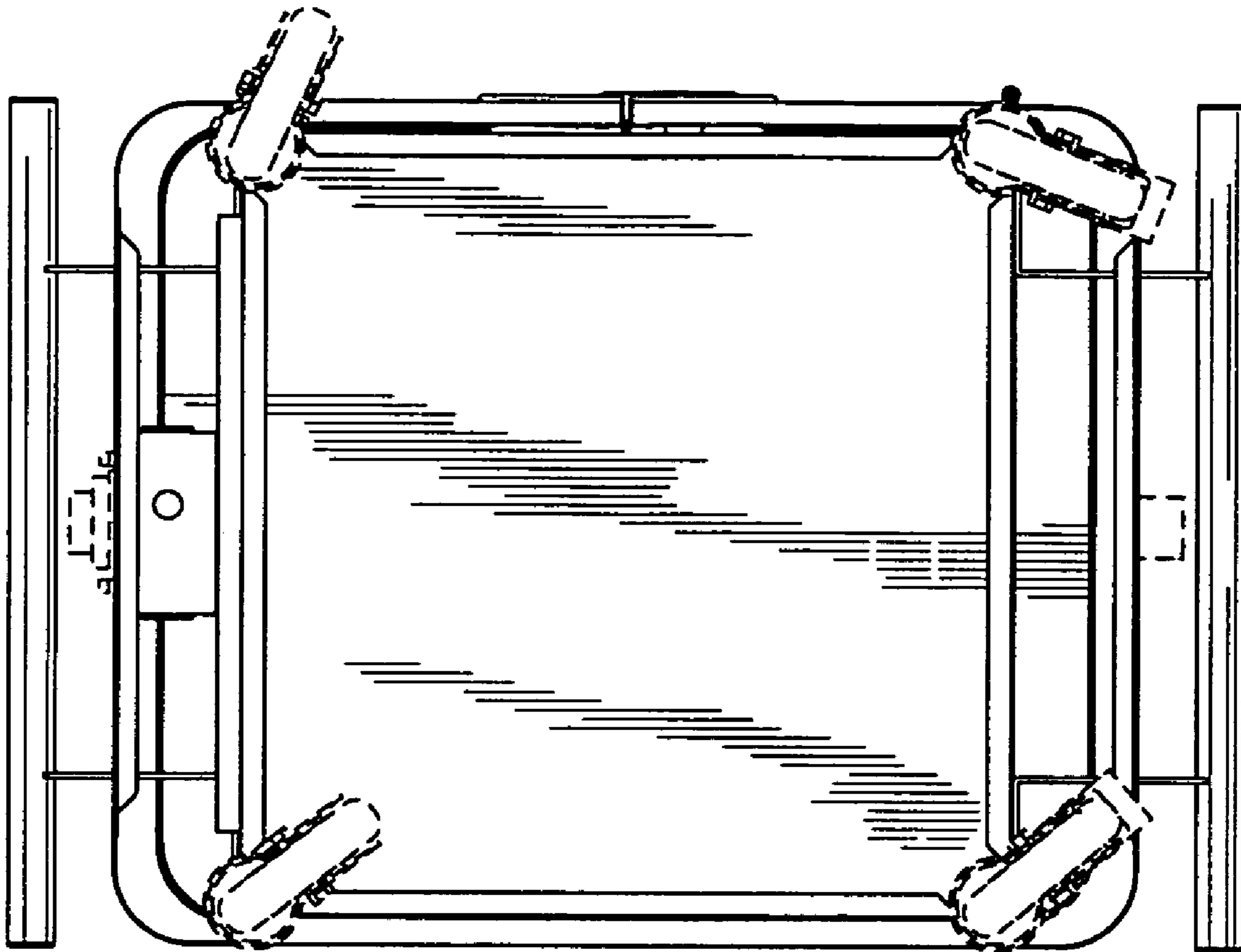
**FIG. 11**



**FIG. 12**



**FIG. 13**



**FIG. 14**