



US00D547918S

(12) **United States Design Patent**
Denbeste

(10) **Patent No.:** **US D547,918 S**

(45) **Date of Patent:** **** Jul. 31, 2007**

(54) **SPRING-LOADED CLOSURE LID FOR A HAZARDOUS WASTE CONTAINER**

D513,179 S * 12/2005 Gavin et al. D9/435
2003/0146230 A1* 8/2003 Eaton et al. 220/826

(76) Inventor: **William M. Denbeste**, 810 Denbeste Ct., Windsor, CA (US) 95492

* cited by examiner

Primary Examiner—Cynthia E. Ramirez

(74) *Attorney, Agent, or Firm*—Willie Krawitz

(**) Term: **14 Years**

(21) Appl. No.: **29/260,887**

(57) **CLAIM**

(22) Filed: **Jun. 1, 2006**

The ornamental design for a spring-loaded closure lid for a hazardous waste container, as shown and described.

(51) **LOC (8) Cl.** **09-09**

(52) **U.S. Cl.** **D34/11**

(58) **Field of Classification Search** D34/1, D34/5, 6, 7, 8, 9, 10, 11; 220/908-913, 262-264
See application file for complete search history.

DESCRIPTION

FIG. 1 is an upper perspective view of a spring-loaded closure lid for a hazardous waste container, showing my design;

FIG. 2 is a right side elevation view thereof;

FIG. 3 is a left side elevation view thereof;

FIG. 4 is a front end elevation view thereof;

FIG. 5 is a rear end elevation view thereof;

FIG. 6 is a top plan view thereof; and,

FIG. 7 is a bottom plan view thereof.

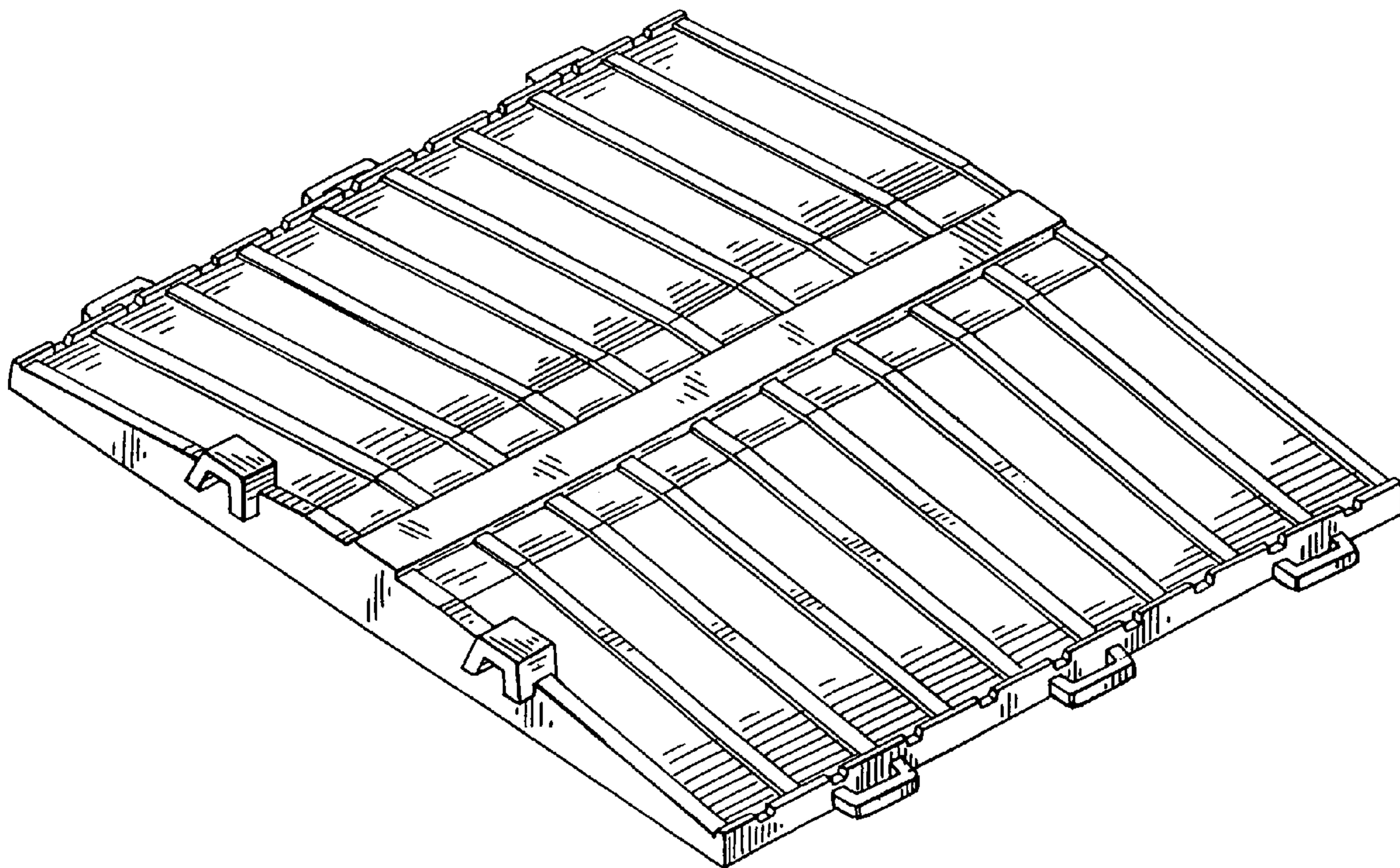
The broken line showing of a container in FIG. 3 is included for the purpose of illustrating environmental structure and forms no part of the claimed design.

(56) **References Cited**

U.S. PATENT DOCUMENTS

4,158,424	A *	6/1979	Carmack	220/826
4,520,945	A *	6/1985	Hodge	220/315
4,771,940	A *	9/1988	Taylor	220/832
4,949,866	A *	8/1990	Sanders	220/810
4,955,501	A *	9/1990	Hodge	220/315
D319,326	S *	8/1991	Taylor	D34/11
D326,943	S *	6/1992	Taylor	D34/11
D340,560	S *	10/1993	Taylor	D34/11
D362,325	S *	9/1995	Taylor	D34/11
D363,584	S *	10/1995	Goodwin	D34/11

1 Claim, 5 Drawing Sheets



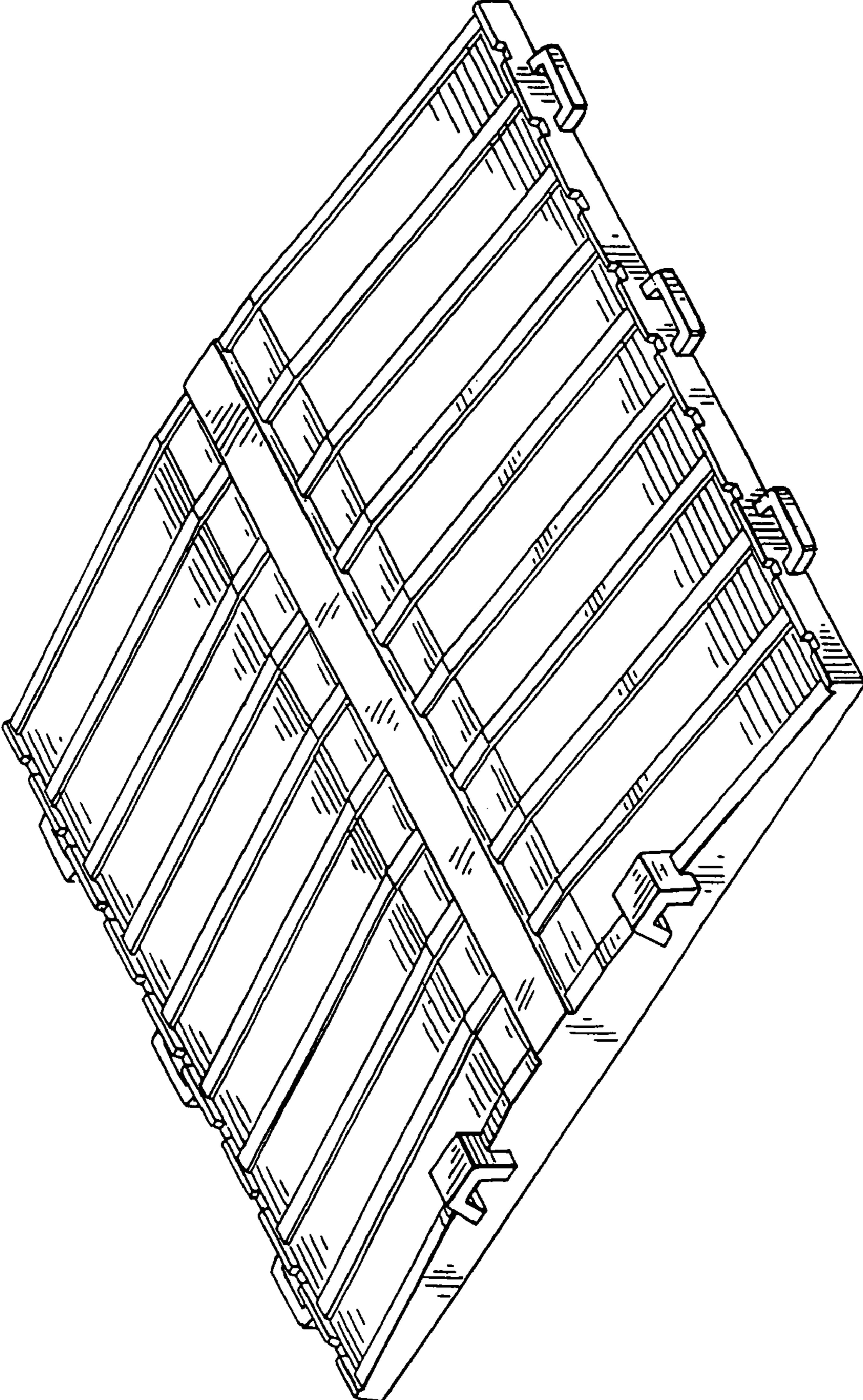


FIG. 1

FIG. 2

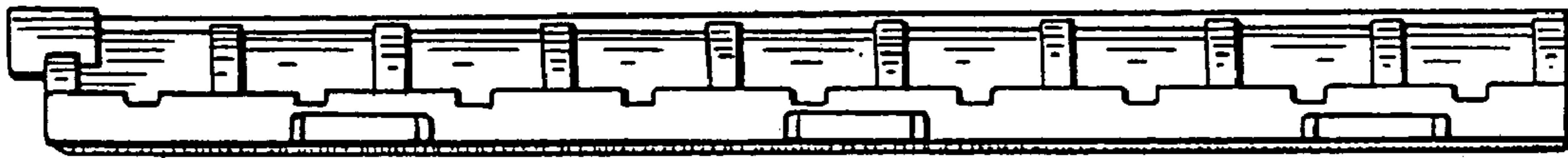
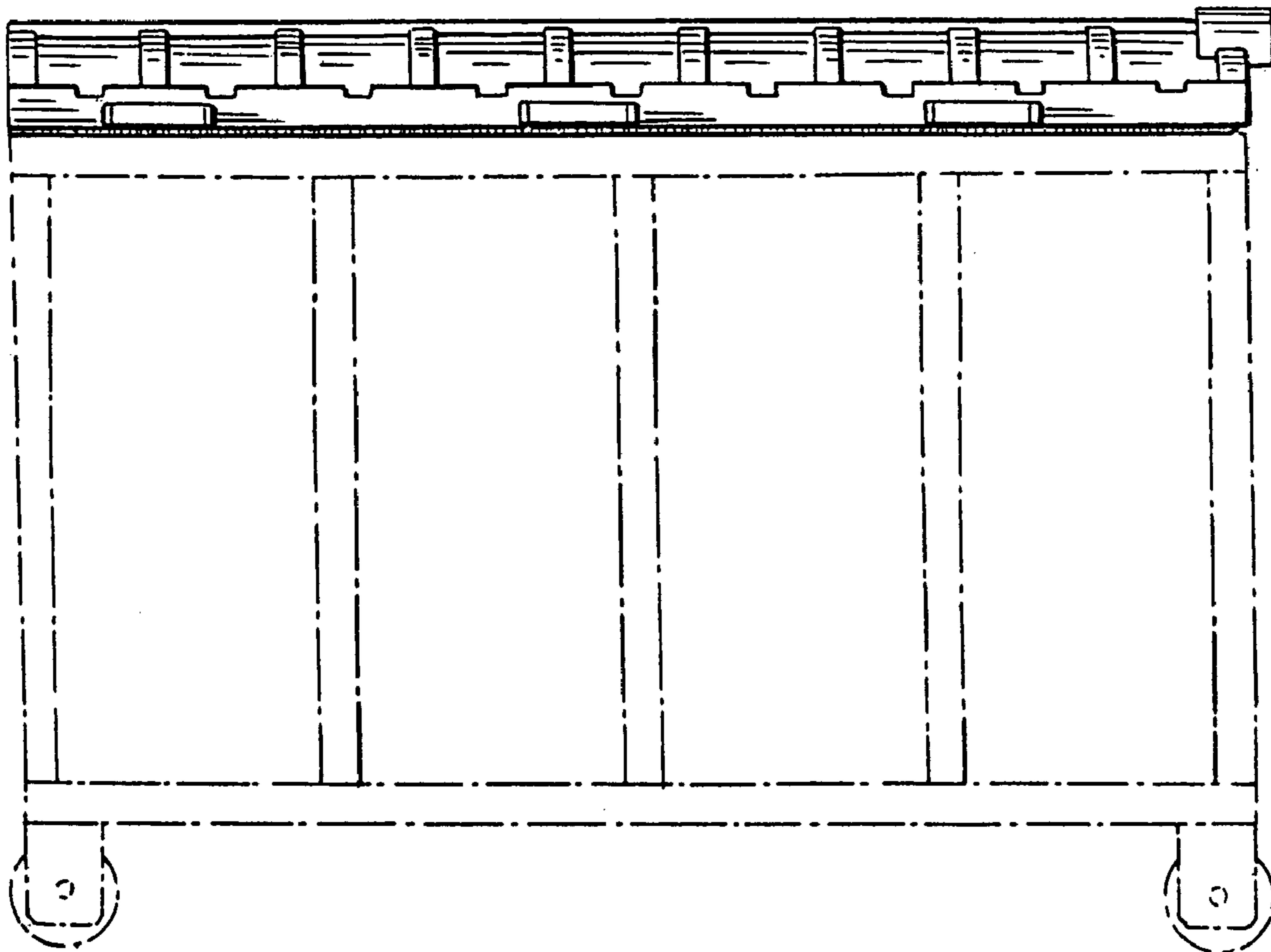


FIG. 3



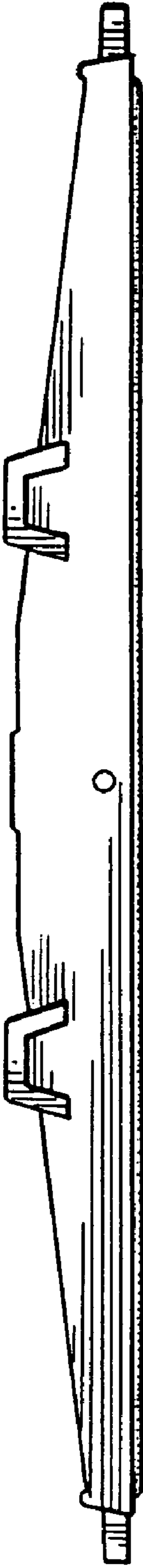


FIG. 4

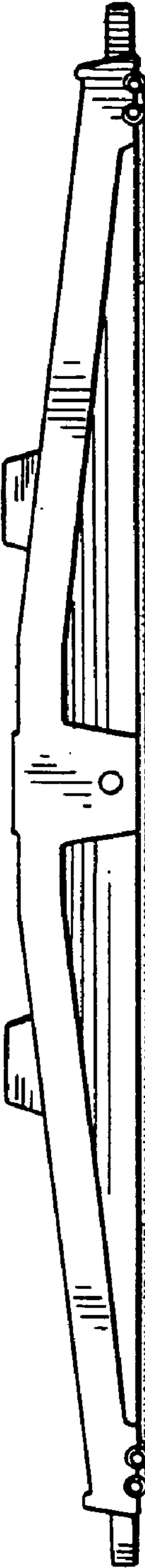


FIG. 5

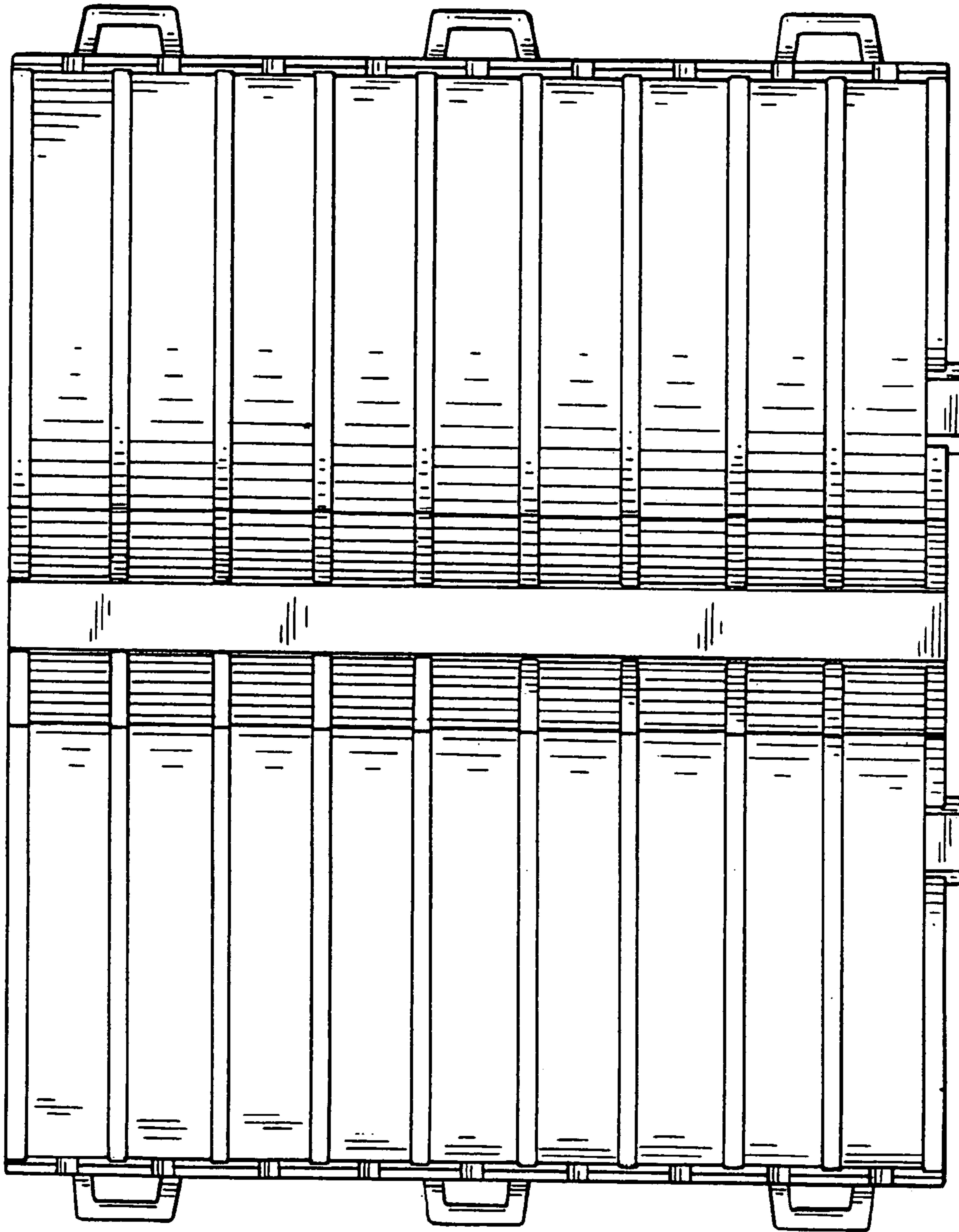


FIG. 6

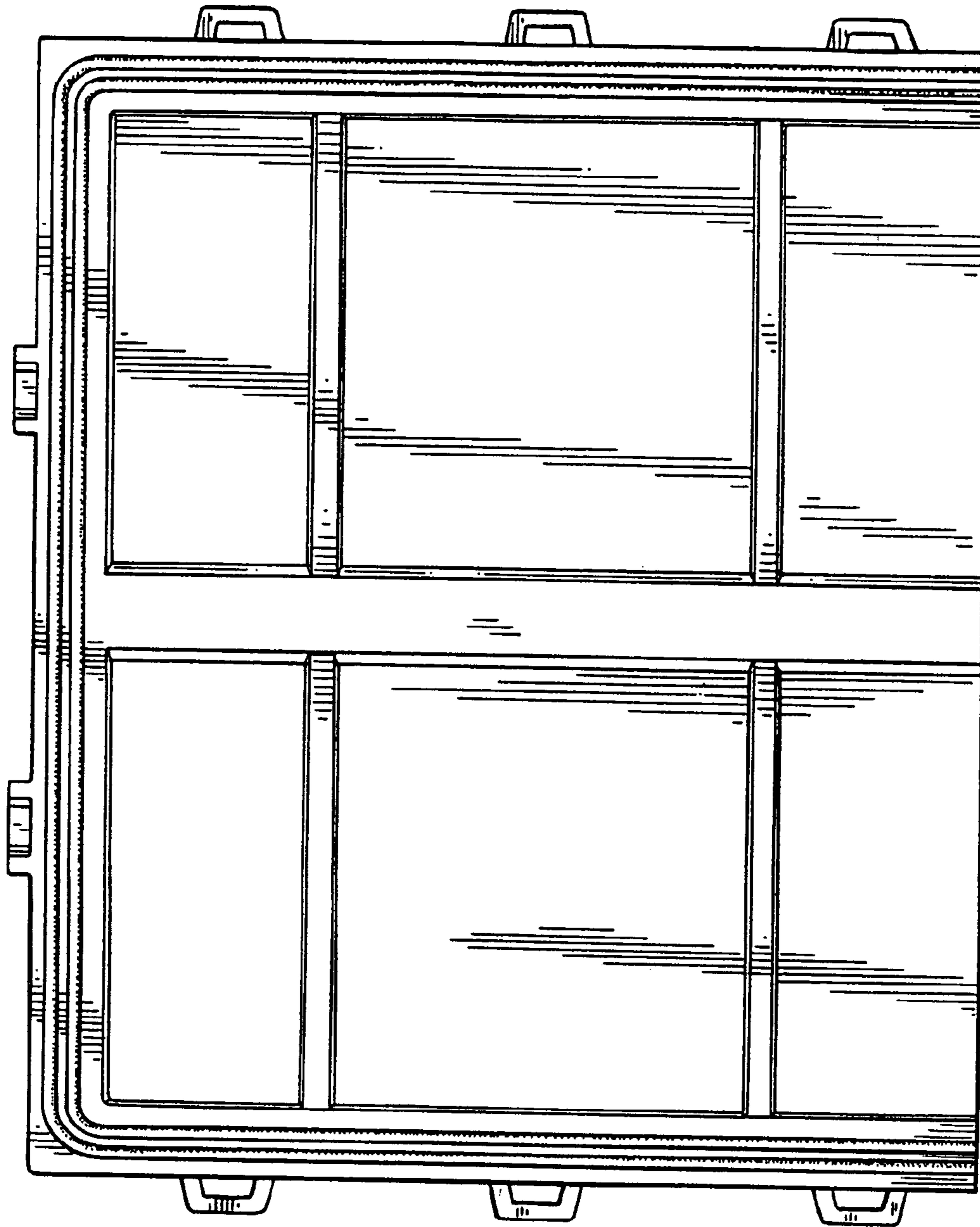


FIG. 7