

US00D547912S

(12) **United States Design Patent**
Brandt

(10) **Patent No.:** **US D547,912 S**

(45) **Date of Patent:** **** Jul. 31, 2007**

(54) **DISPENSING CONTAINER**

(75) Inventor: **Guido Brandt**, Mt Waverley (AU)

(73) Assignee: **Reckitt Benckiser N.V.**, Hoofddorp (NL)

(**) Term: **14 Years**

(21) Appl. No.: **29/235,684**

(22) Filed: **Aug. 4, 2005**

(30) **Foreign Application Priority Data**

Feb. 11, 2005 (EM) 000294855

(51) **LOC (8) Cl.** **15-05**

(52) **U.S. Cl.** **D32/3**

(58) **Field of Classification Search** D32/2,
D32/3, 28, 5, 6, 8, 25, 30, 1, 29.1; D7/348-349,
D7/405-406; 134/113, 201; 312/31; D23/200,
D23/205, 207

See application file for complete search history.

(56) **References Cited**

U.S. PATENT DOCUMENTS

D238,322 S * 1/1976 Kulhanjian D6/545
D304,102 S * 10/1989 Lakhan et al. D32/1
D308,739 S * 6/1990 Nystuen D32/3

D346,890 S * 5/1994 Panesar D32/29.1
D376,230 S * 12/1996 McCall et al. D32/29.1
D457,596 S * 5/2002 Guzman et al. D23/209
D513,928 S * 1/2006 Birdsell et al. D7/397
D529,128 S * 9/2006 Lee D23/209

* cited by examiner

Primary Examiner—Louis S. Zarfaz

Assistant Examiner—Kathleen Sims

(74) *Attorney, Agent, or Firm*—Norris McLaughlin & Marcus, PA

(57) **CLAIM**

The ornamental design for dispensing container, as shown and described.

DESCRIPTION

FIG. 1 is an elevated, front perspective of dispensing container

FIG. 2 is an elevated view of a side thereof;

FIG. 3 is an elevated view of the front thereof;

FIG. 4 is an elevated view of the rear thereof;

FIG. 5 is a plan view of the top thereof; and,

FIG. 6 is a plan view of the bottom thereof.

1 Claim, 3 Drawing Sheets

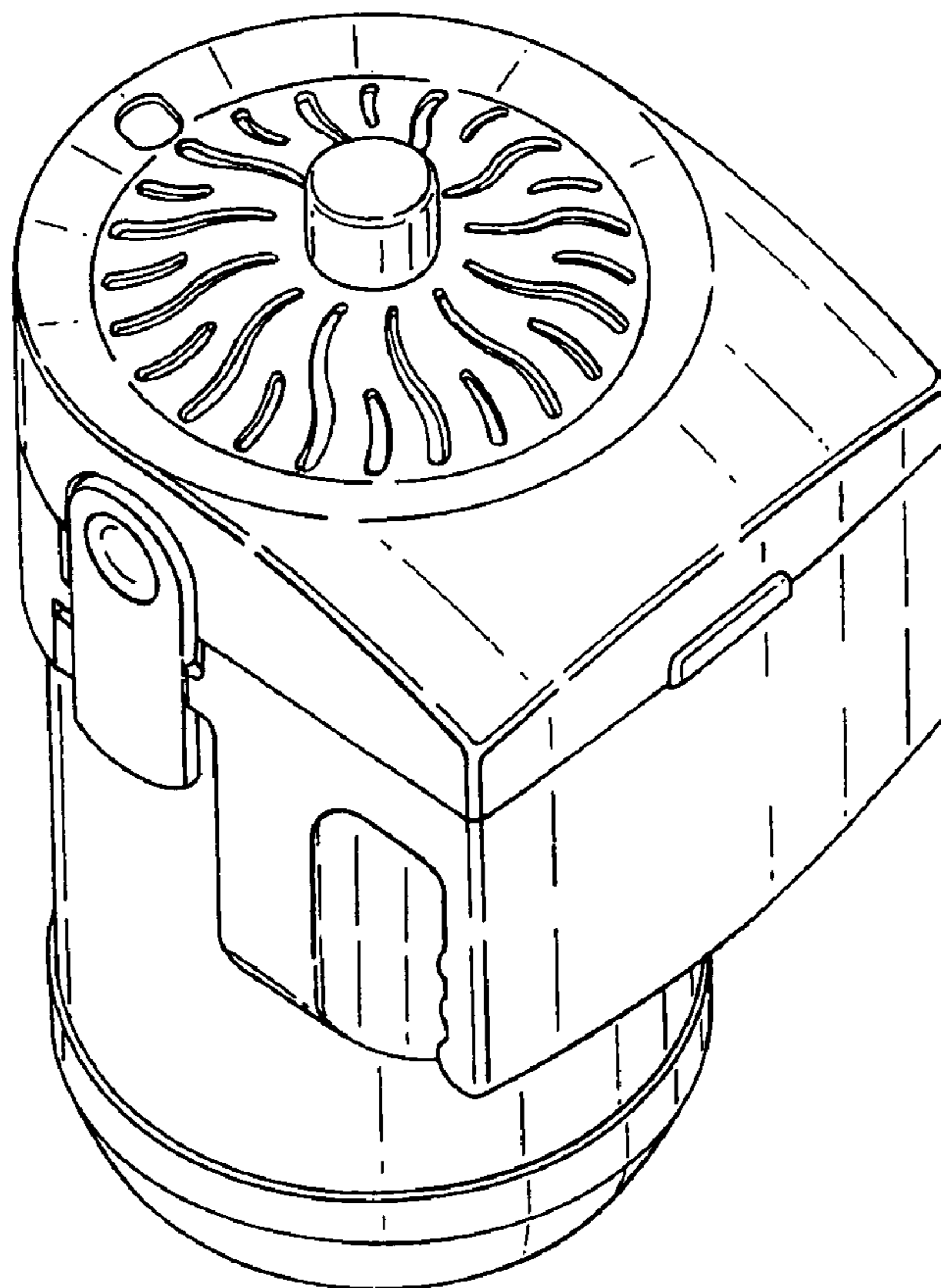


Fig. 1.

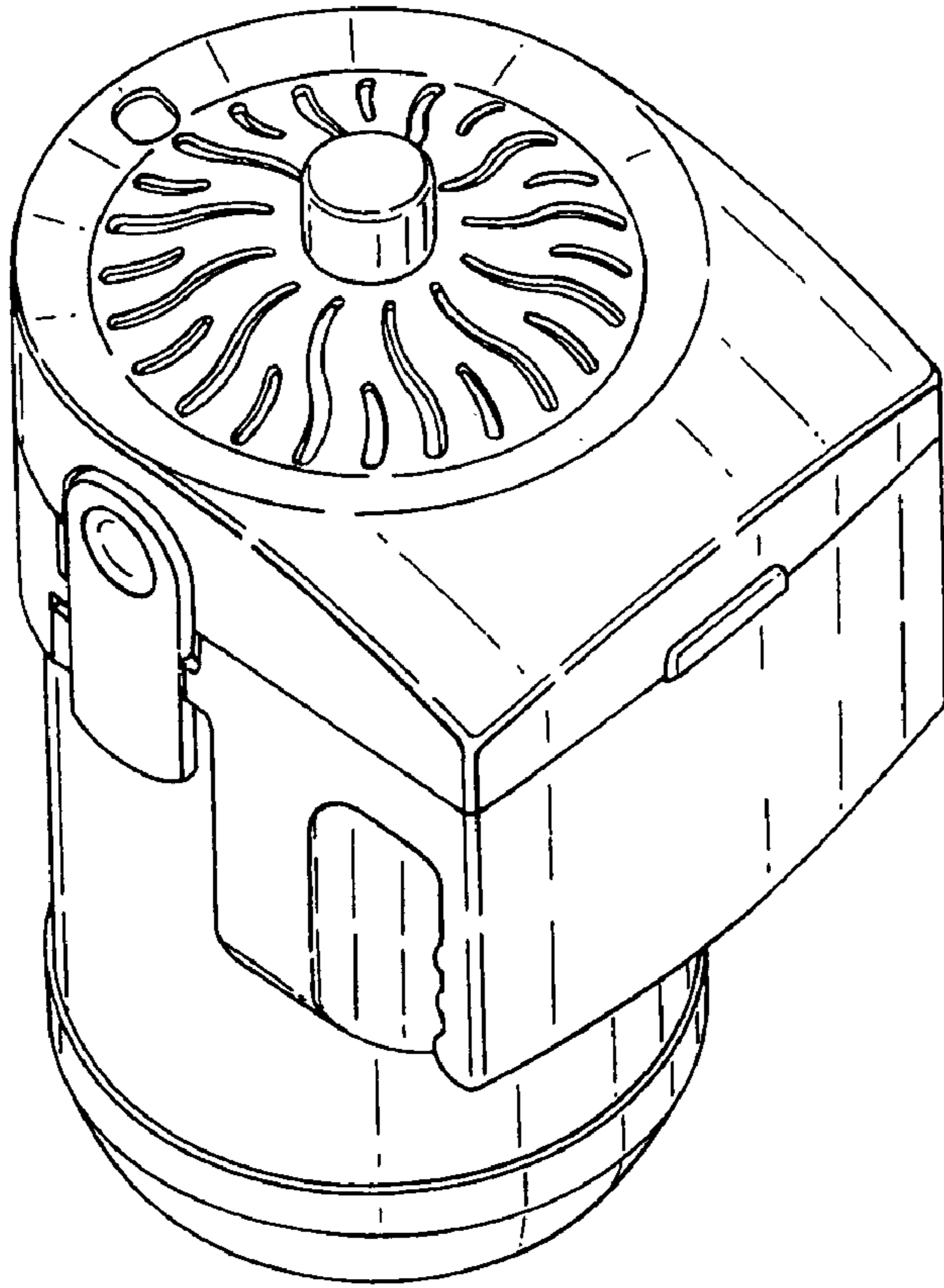


Fig. 2.

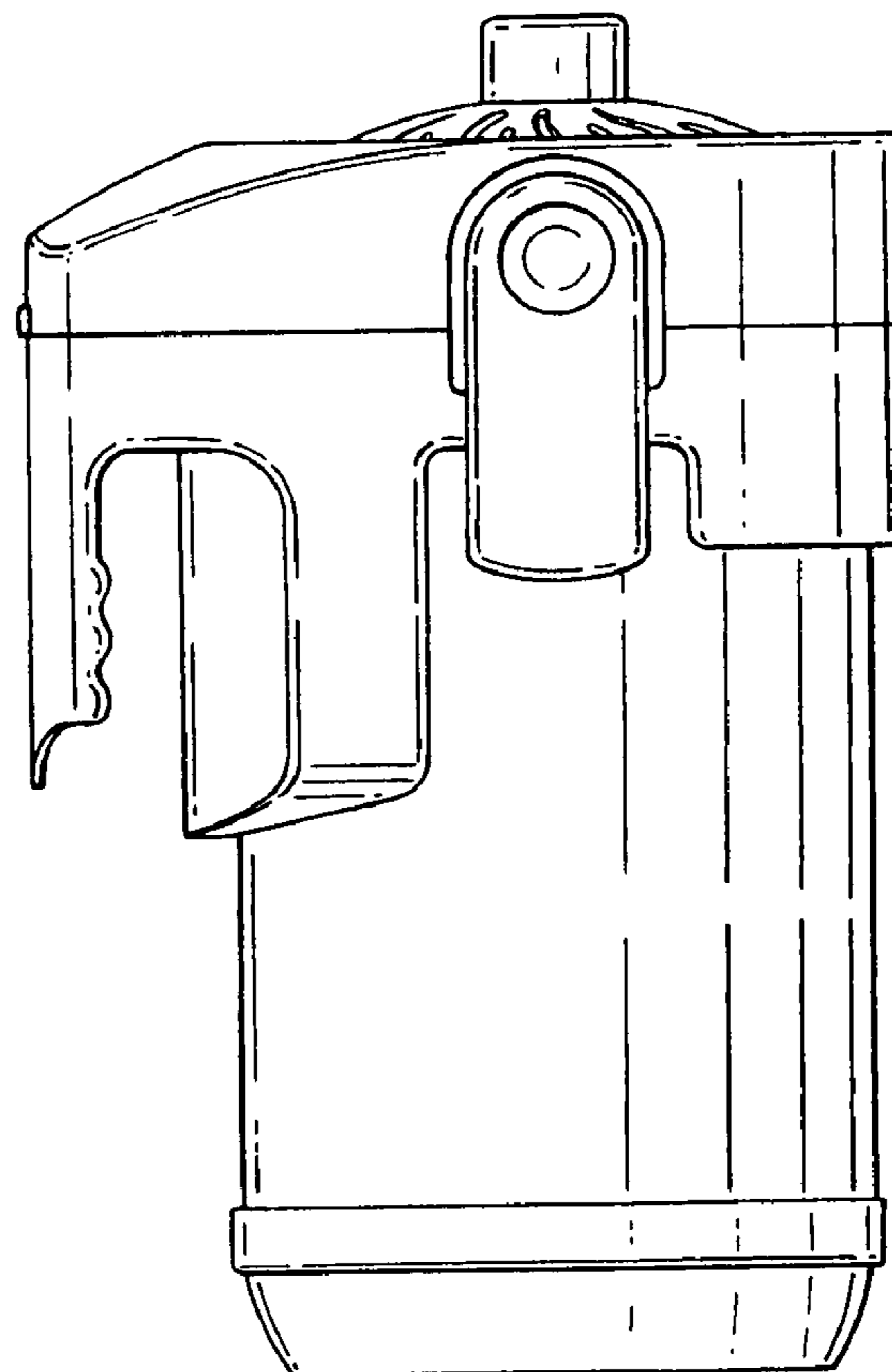


Fig.3.

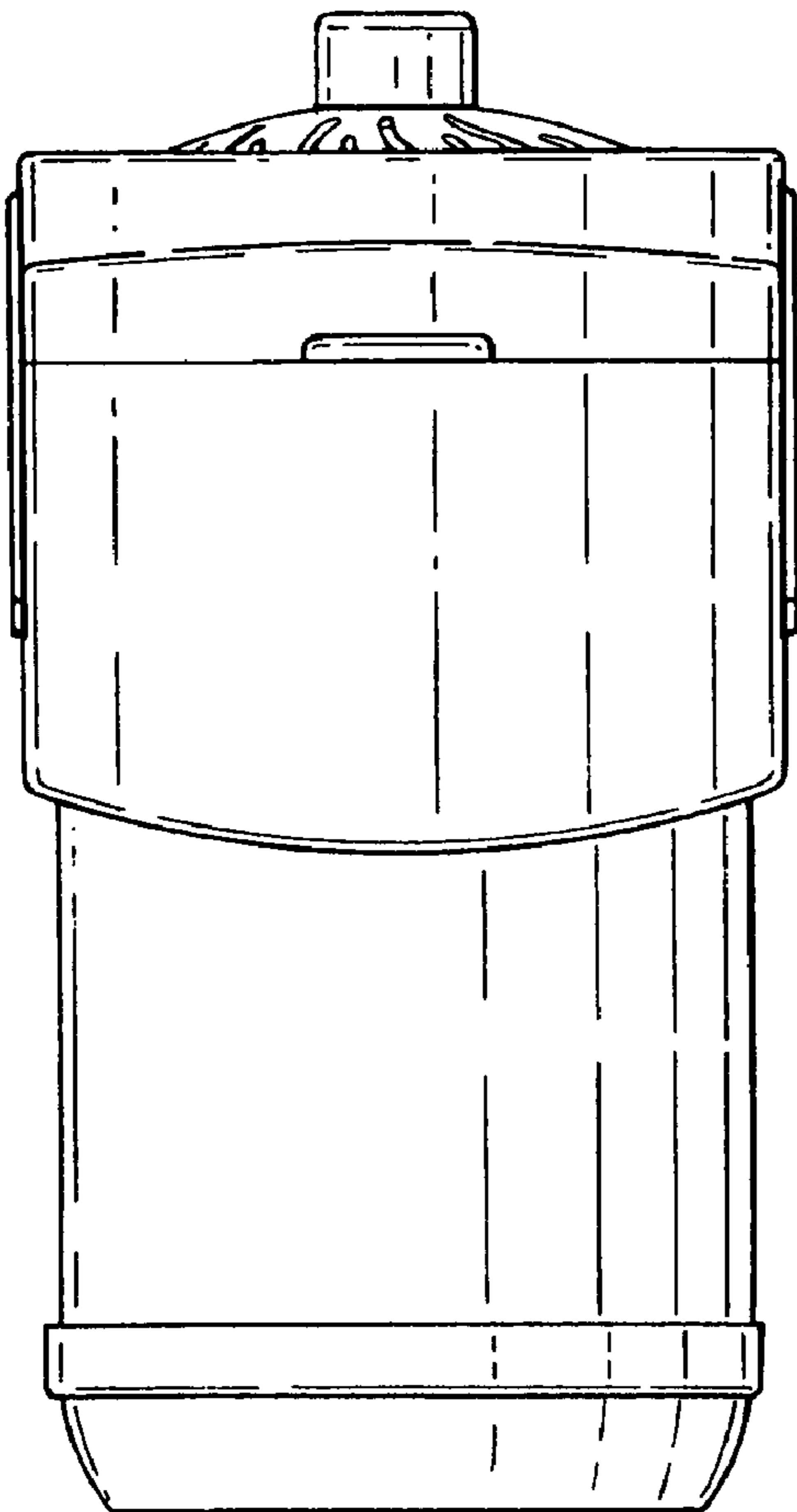


Fig.4.

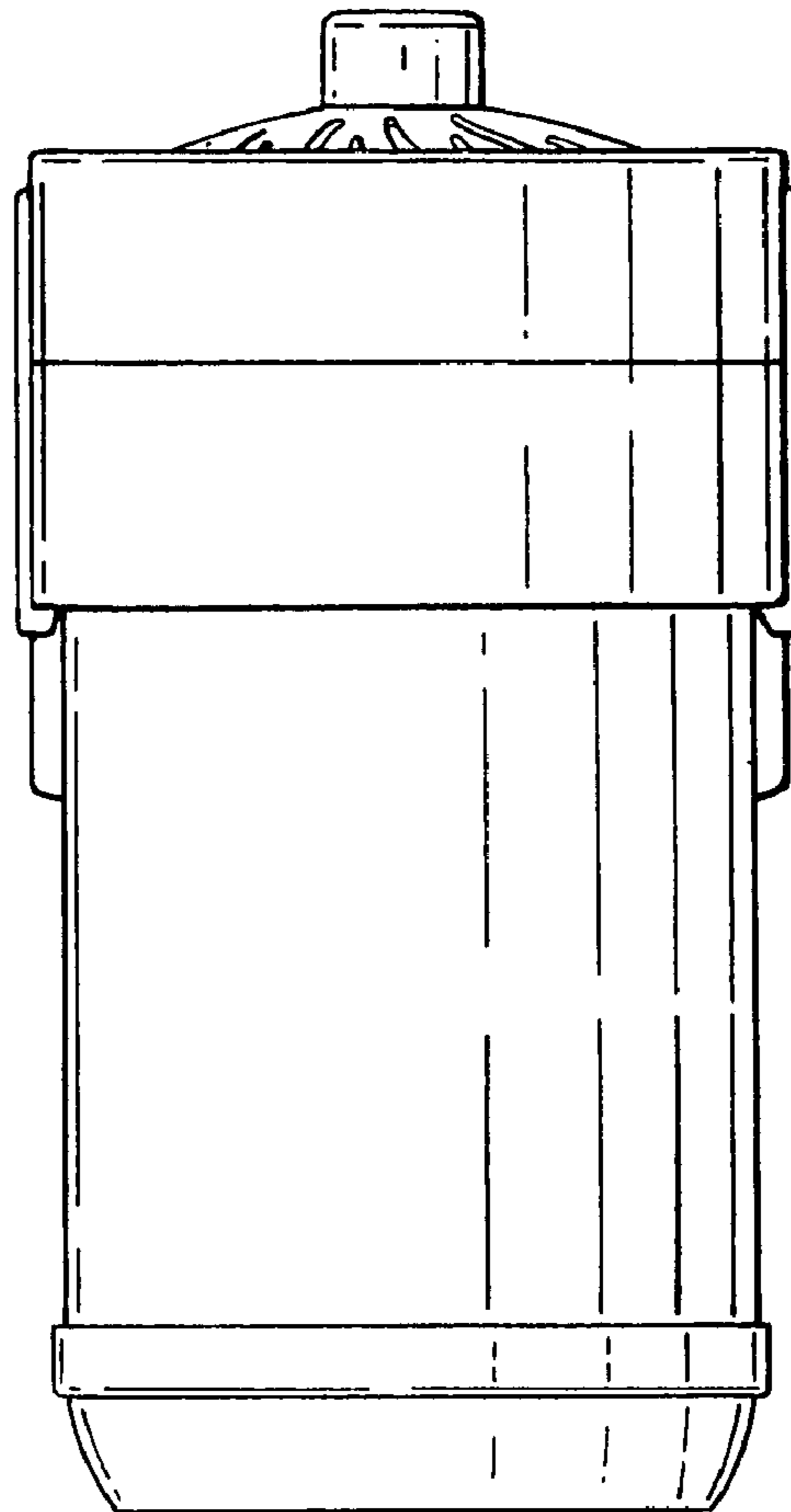


Fig.5.

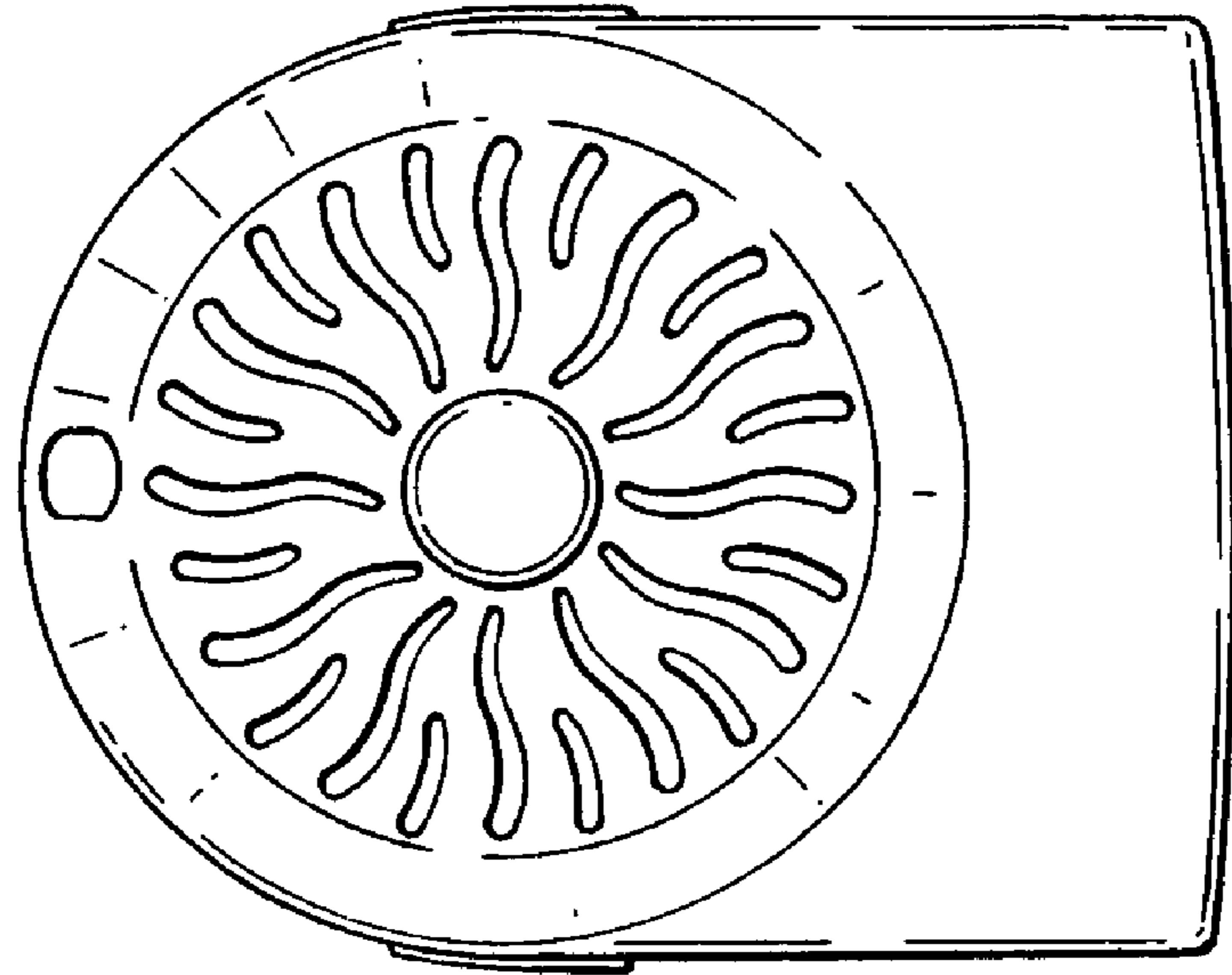


Fig.6.

