



US00D547908S

(12) **United States Design Patent**
Wise et al.

(10) **Patent No.:** **US D547,908 S**

(45) **Date of Patent:** **** Jul. 31, 2007**

(54) **SPORTS HELMET**

(75) Inventors: **Robert Wise**, Petaluma, CA (US);
Peter Muller, Woodside, CA (US)

(73) Assignee: **Robert W. Wise**, Petaluma, CA (US)

(**) Term: **14 Years**

(21) Appl. No.: **29/246,816**

(22) Filed: **May 11, 2006**

(51) **LOC (8) Cl.** **29-02**

(52) **U.S. Cl.** **D29/105**

(58) **Field of Classification Search** D29/102,
D29/104-107, 122; 2/410-411, 414-421,
2/423-425

See application file for complete search history.

(56) **References Cited**

U.S. PATENT DOCUMENTS

D186,652 S *	11/1959	Hale	D29/104
D367,548 S *	2/1996	Jeng	D29/102
D387,500 S *	12/1997	Wen-Tsai	D29/102
D447,604 S *	9/2001	Watters et al.	D29/102
D449,135 S *	10/2001	Martin et al.	D29/102
D464,174 S *	10/2002	Lu	D29/102
D518,241 S *	3/2006	Finguel	D29/105
D535,059 S *	1/2007	Lam	D29/102

* cited by examiner

Primary Examiner—Ruth McInroy

(74) *Attorney, Agent, or Firm*—Michael A. Glenn; Glenn Patent Group

(57) **CLAIM**

We claim the ornamental design for a sports helmet, as shown and described.

DESCRIPTION

FIG. 1 shows a bottom view of a design for a sports helmet according to the invention.

FIG. 2 shows a right side view of a design for a sports helmet according to the invention.

FIG. 3 shows a left side view of a design for a sports helmet according to the invention.

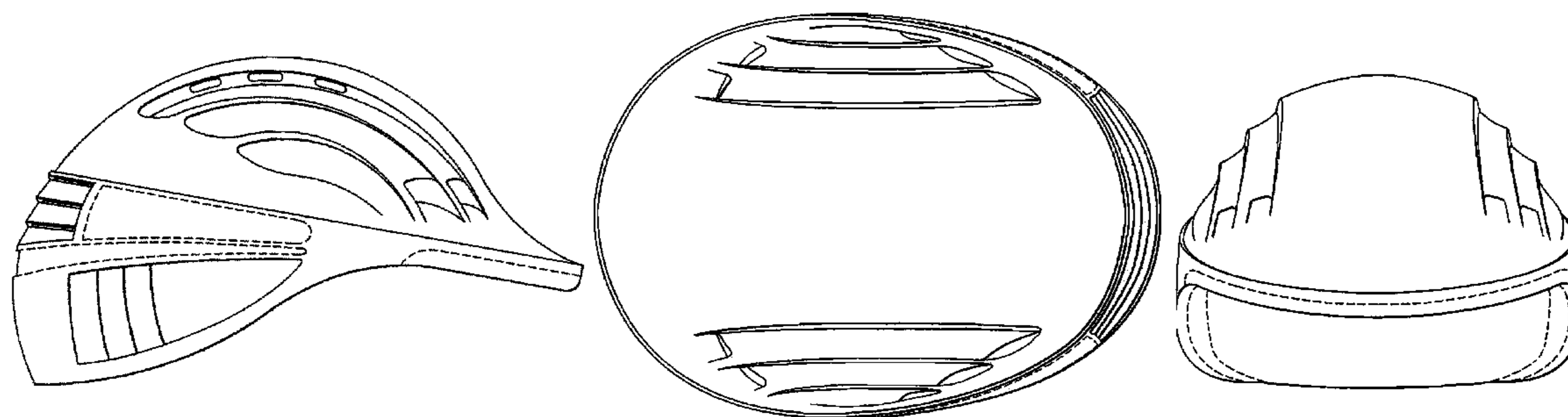
FIG. 4 shows a top view a design for a sports helmet according to the invention.

FIG. 5 shows a front view of a design for a sports helmet according to the invention; and,

FIG. 6 shows a rear view of a design for a sports helmet according to the invention.

The details shown in broken lines form no part of the claimed design.

1 Claim, 3 Drawing Sheets



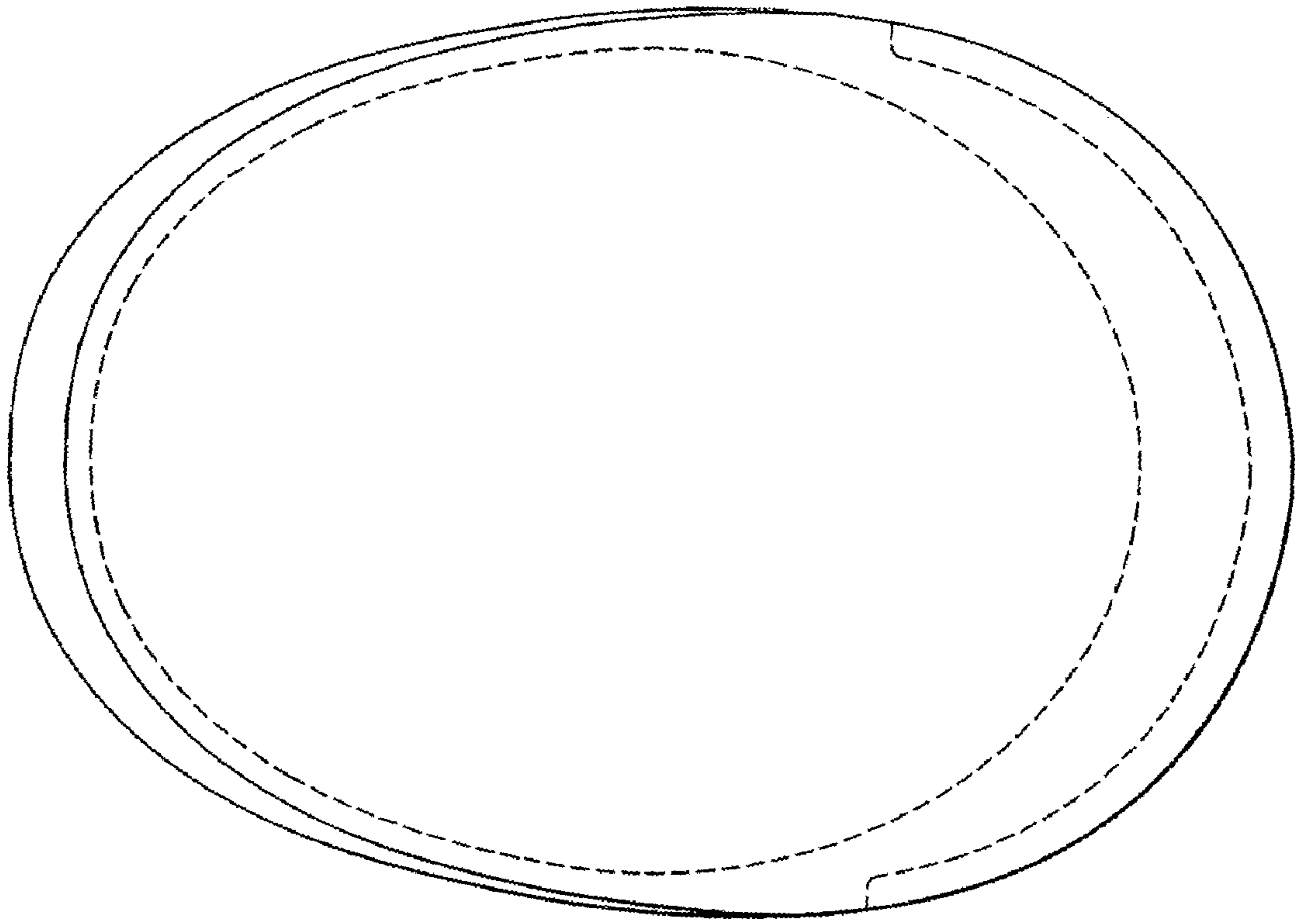


Fig. 1

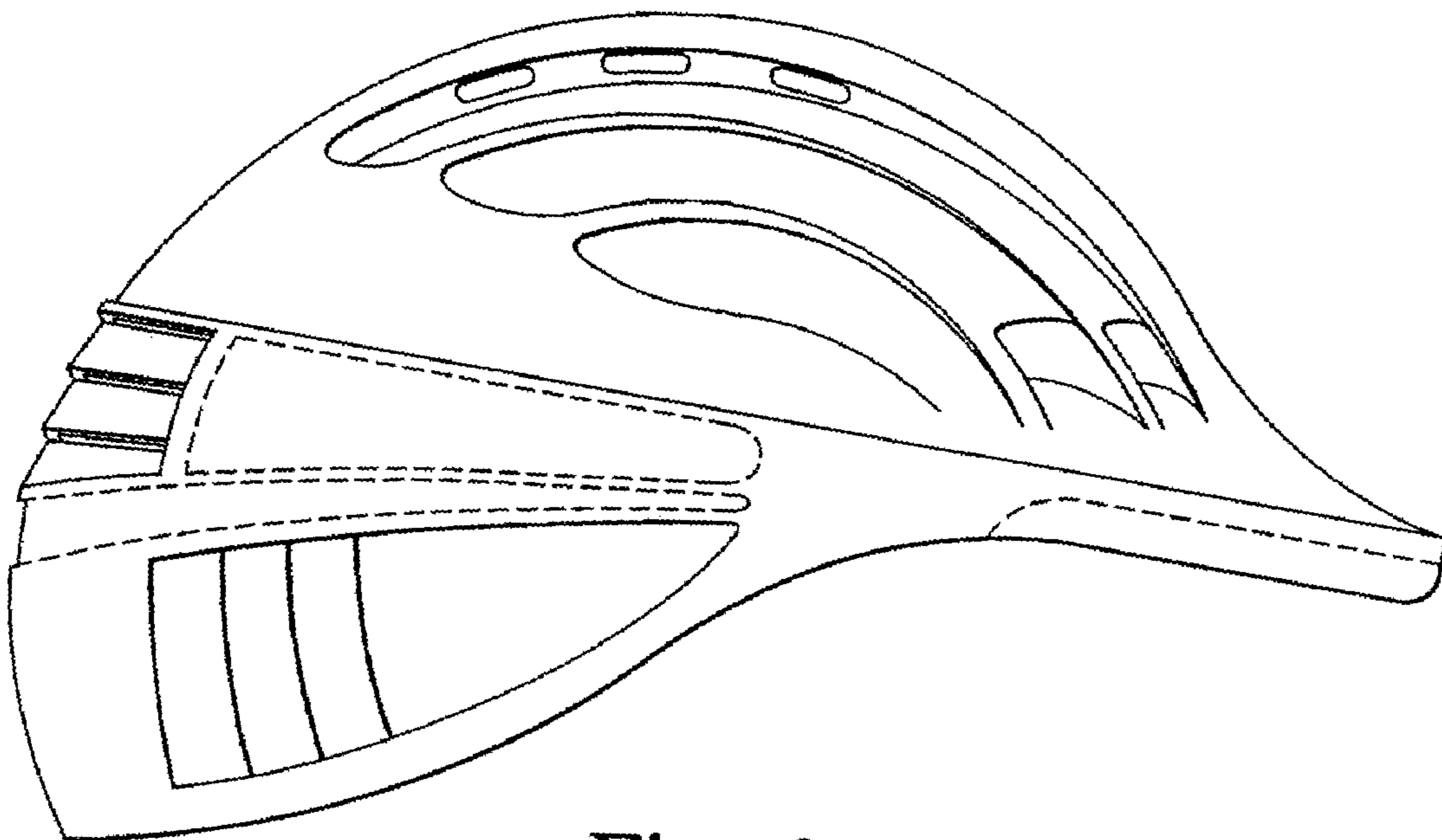


Fig. 2

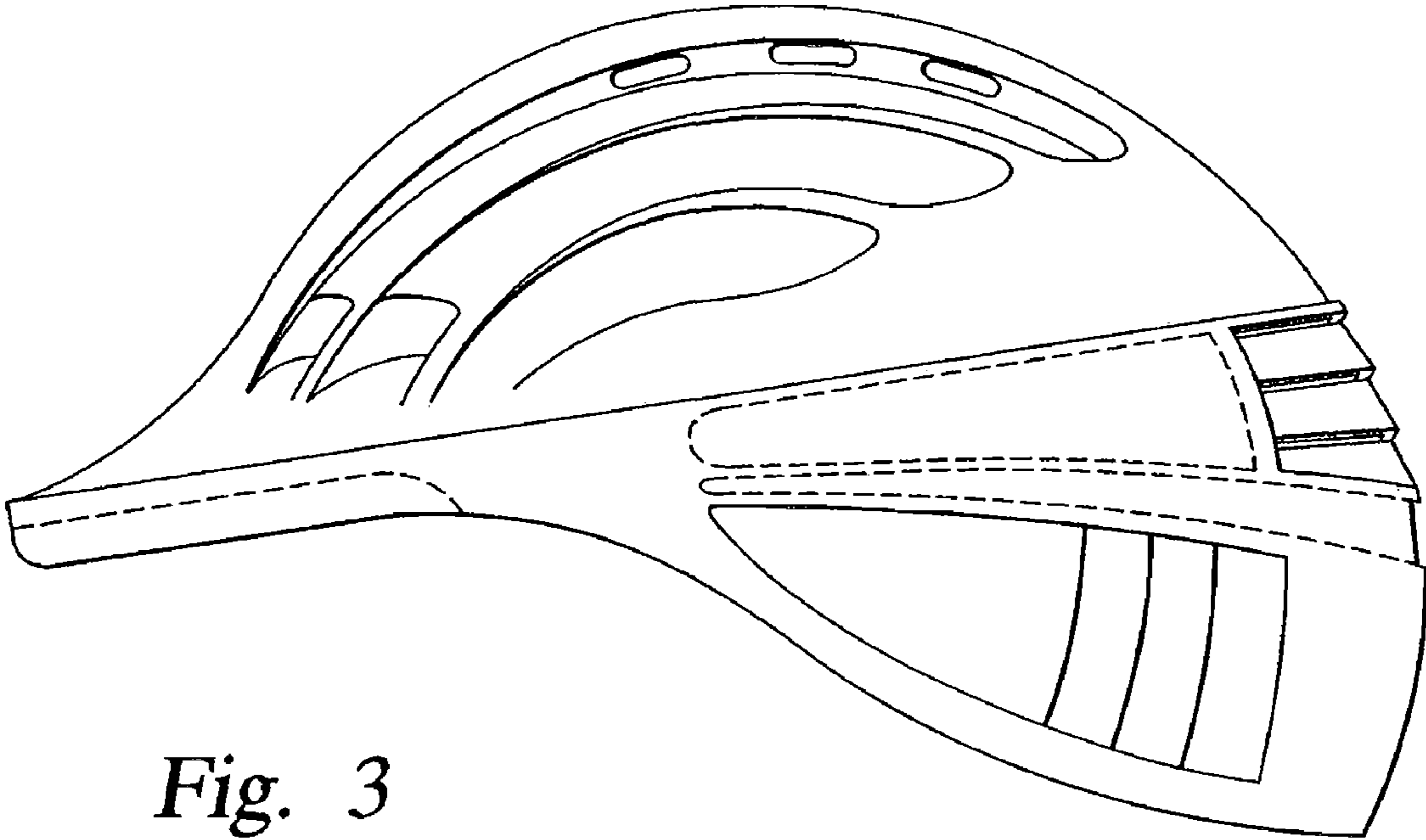


Fig. 3

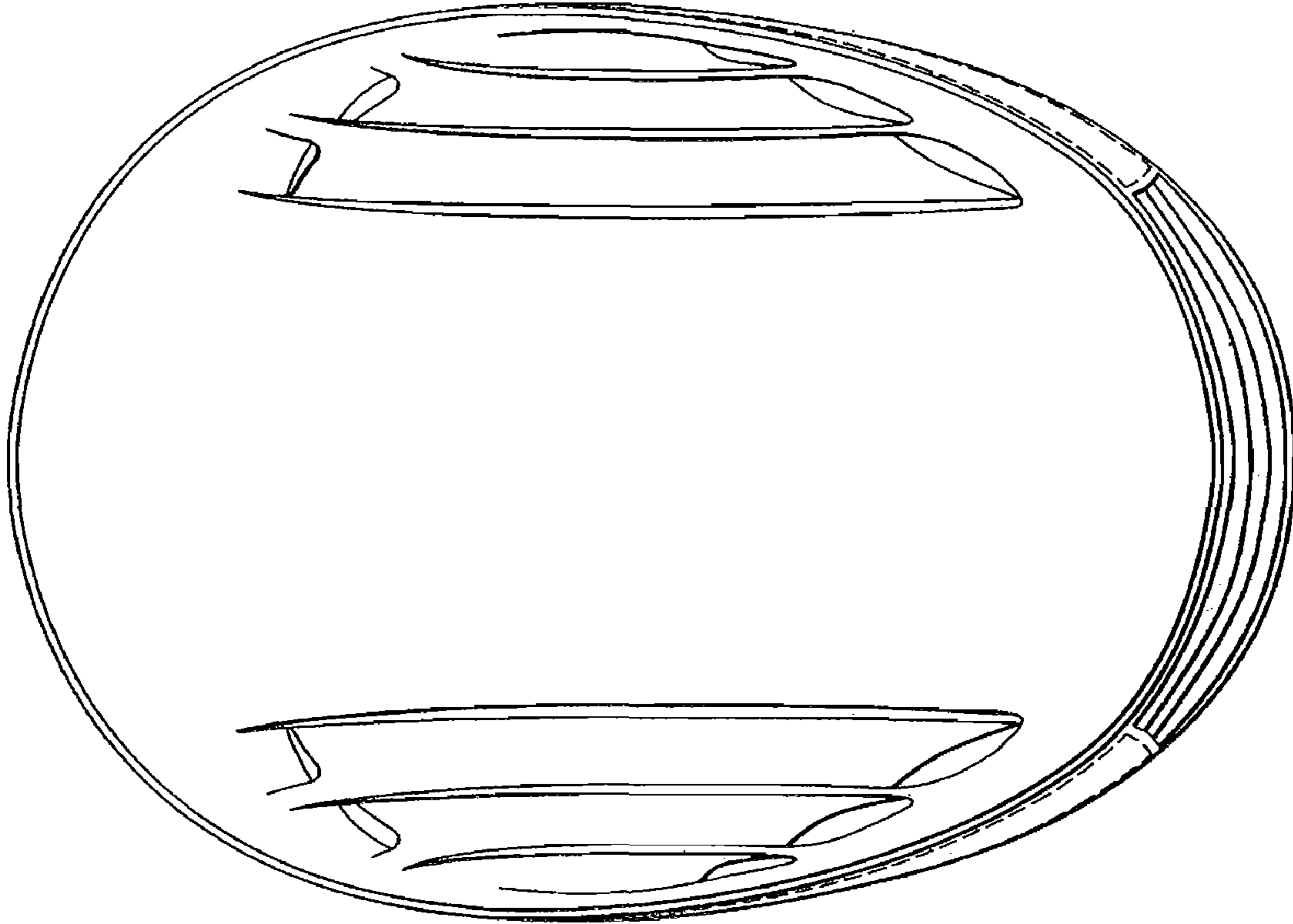


Fig. 4

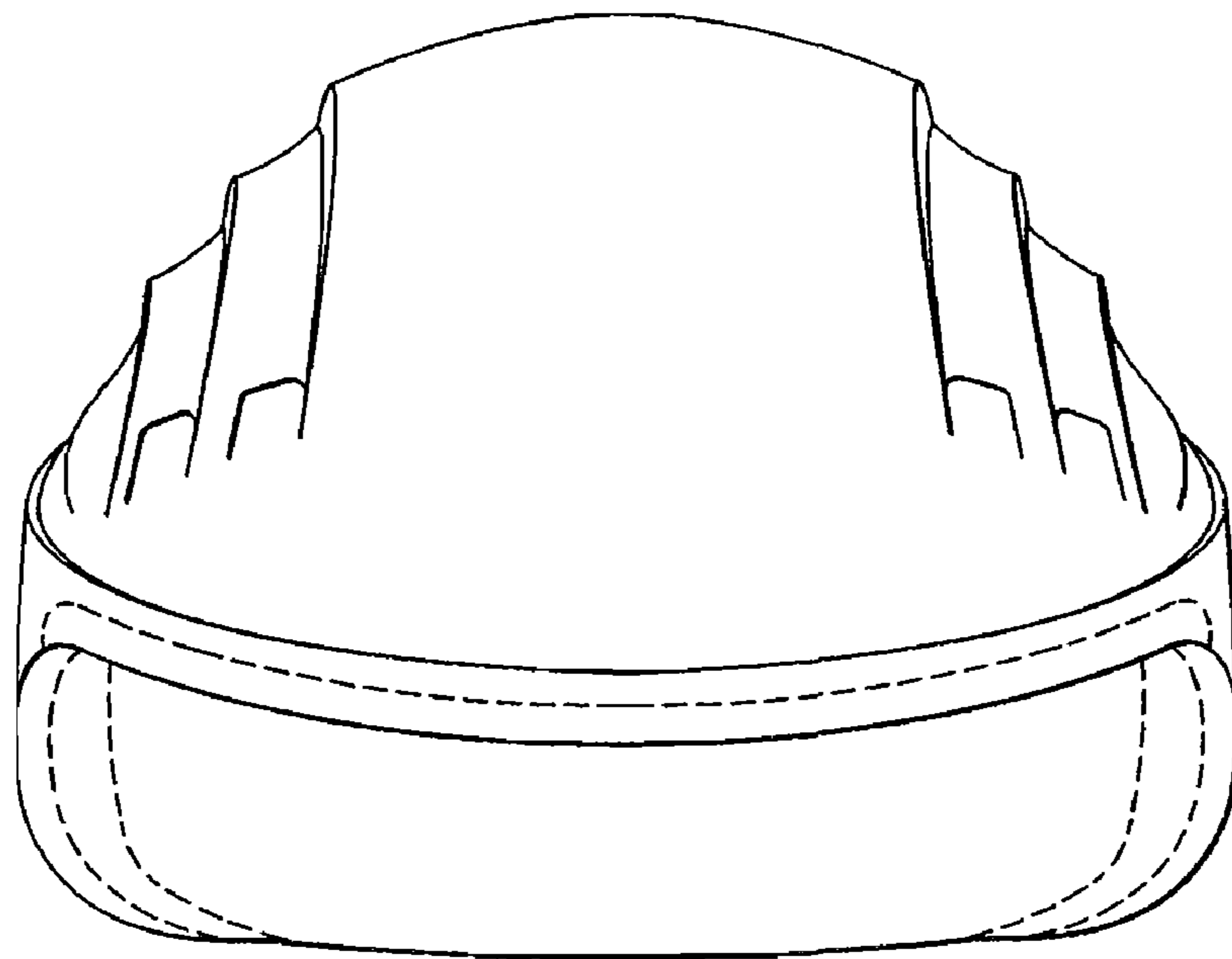


Fig. 5

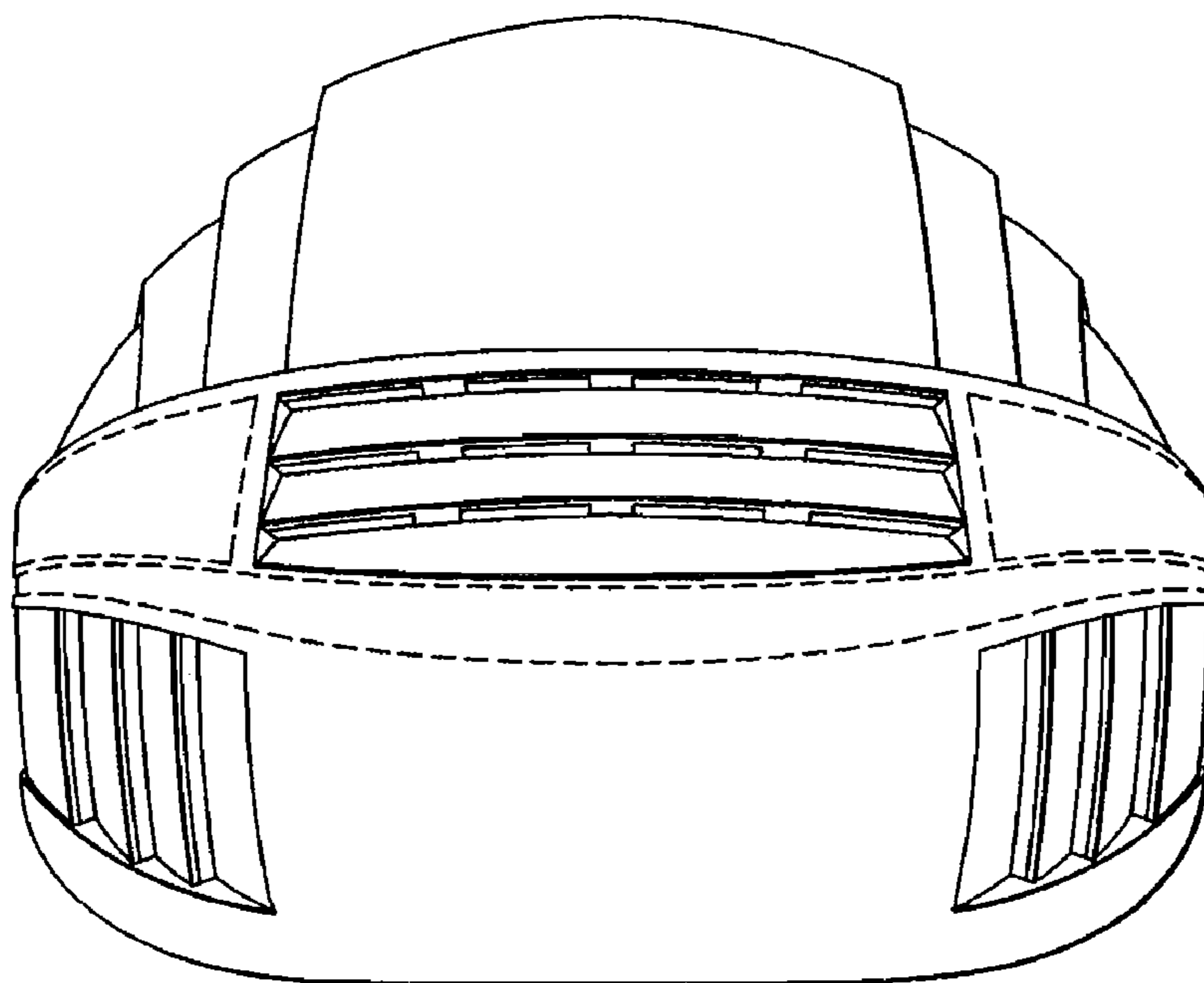


Fig. 6