

US00D547906S

(12) **United States Design Patent**  
**Chue**

(10) **Patent No.:** **US D547,906 S**

(45) **Date of Patent:** **\*\* Jul. 31, 2007**

(54) **SYRINGE SHAPED NAIL CLIPPER**

(75) Inventor: **Lap Fu Chue**, Tai Po (HK)

(73) Assignee: **Kenki (H.K.) Ltd.**, Kowloon (HK)

(\*\*) Term: **14 Years**

(21) Appl. No.: **29/268,240**

(22) Filed: **Nov. 2, 2006**

(51) **LOC (8) Cl.** ..... **28-03**

(52) **U.S. Cl.** ..... **D28/60**

(58) **Field of Classification Search** ..... 132/73,  
132/73.5, 75, 75.4-75.6, 76.2; D28/59, 60;  
30/26-29

See application file for complete search history.

(56) **References Cited**

**U.S. PATENT DOCUMENTS**

857,790 A \* 6/1907 Carroll ..... 30/29  
D307,195 S \* 4/1990 Suppes ..... D28/60  
D507,850 S \* 7/2005 Christianson ..... D28/59

7,131,448 B2 \* 11/2006 Lund et al. .... 132/73.5

\* cited by examiner

*Primary Examiner*—Jennifer Rivard

(74) *Attorney, Agent, or Firm*—Rabin & Berdo, P.C.

(57) **CLAIM**

The ornamental design for a syringe shaped nail clipper, as shown and described.

**DESCRIPTION**

FIG. 1 is a front view of a syringe shaped nail clipper showing my new design;

FIG. 2 is a rear view thereof;

FIG. 3 is a left side view thereof;

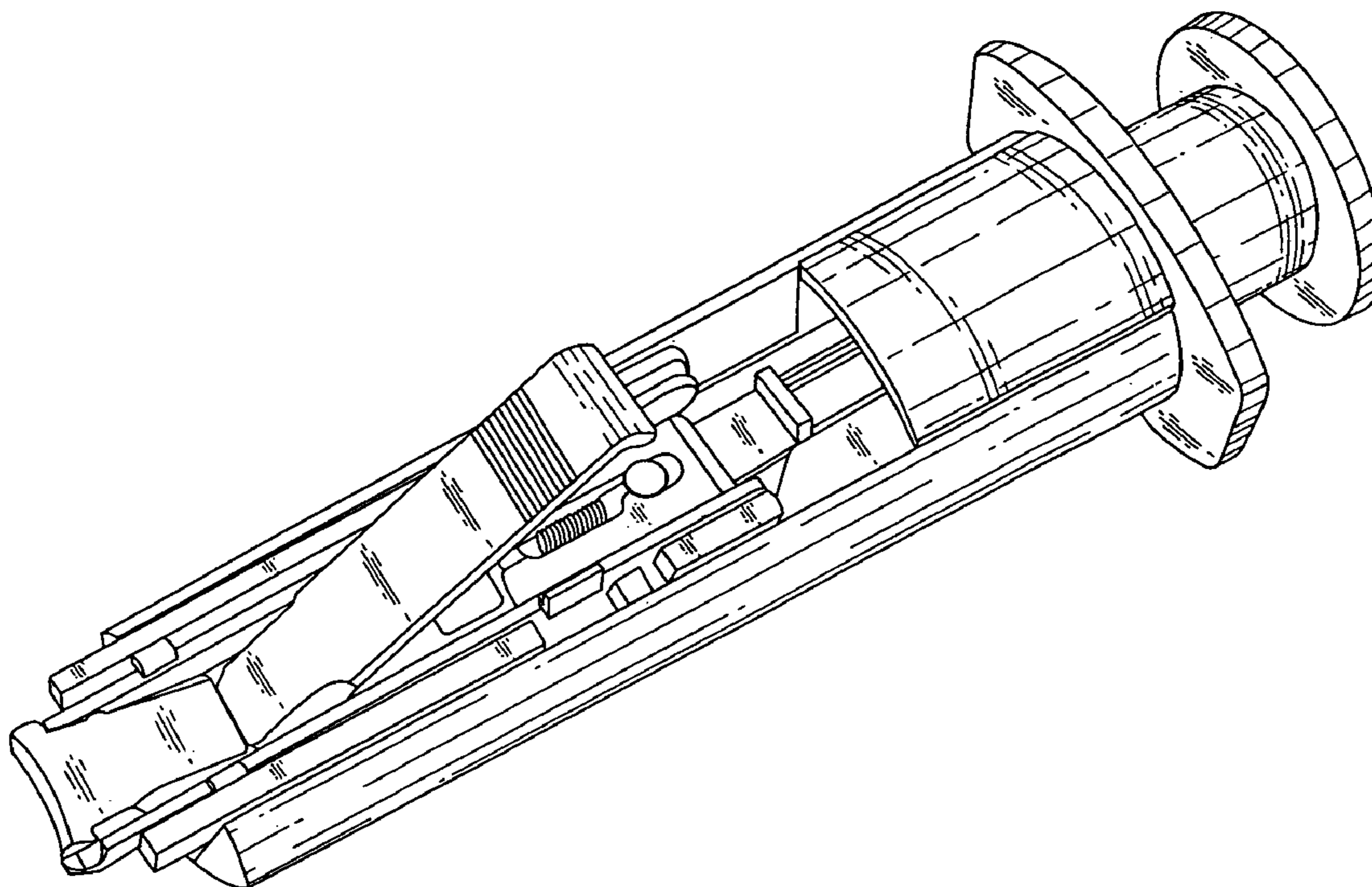
FIG. 4 is a right side view thereof;

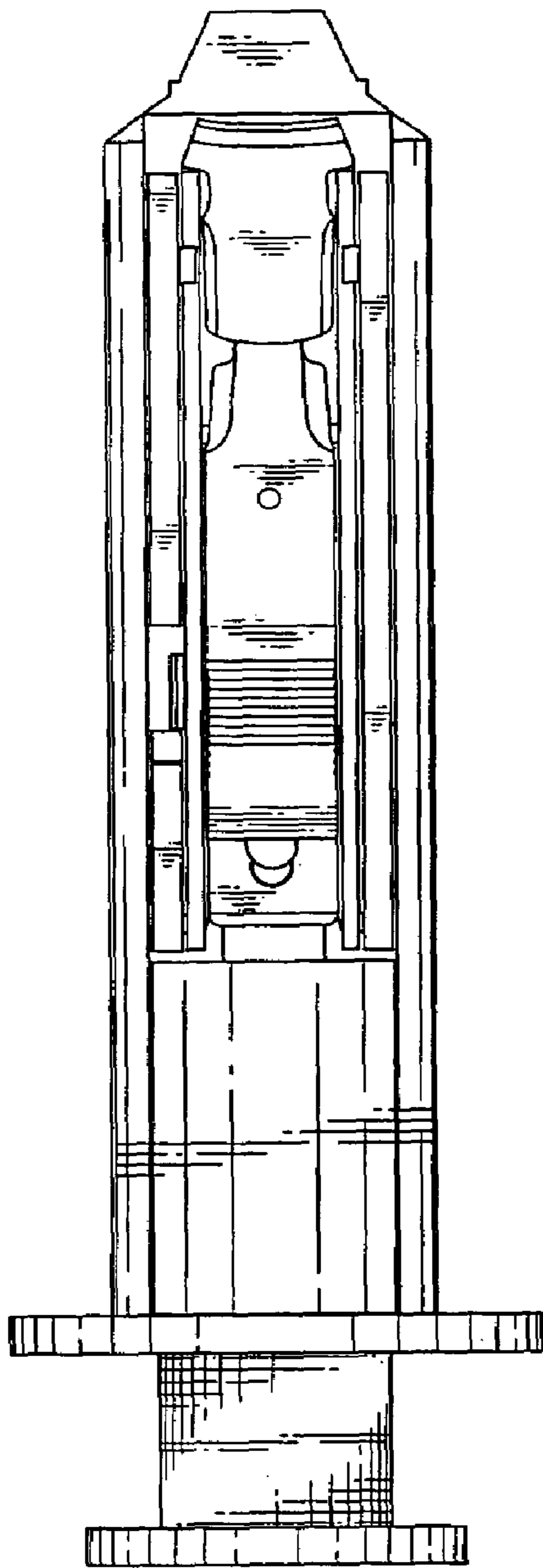
FIG. 5 is a top view thereof;

FIG. 6 is a bottom view thereof; and,

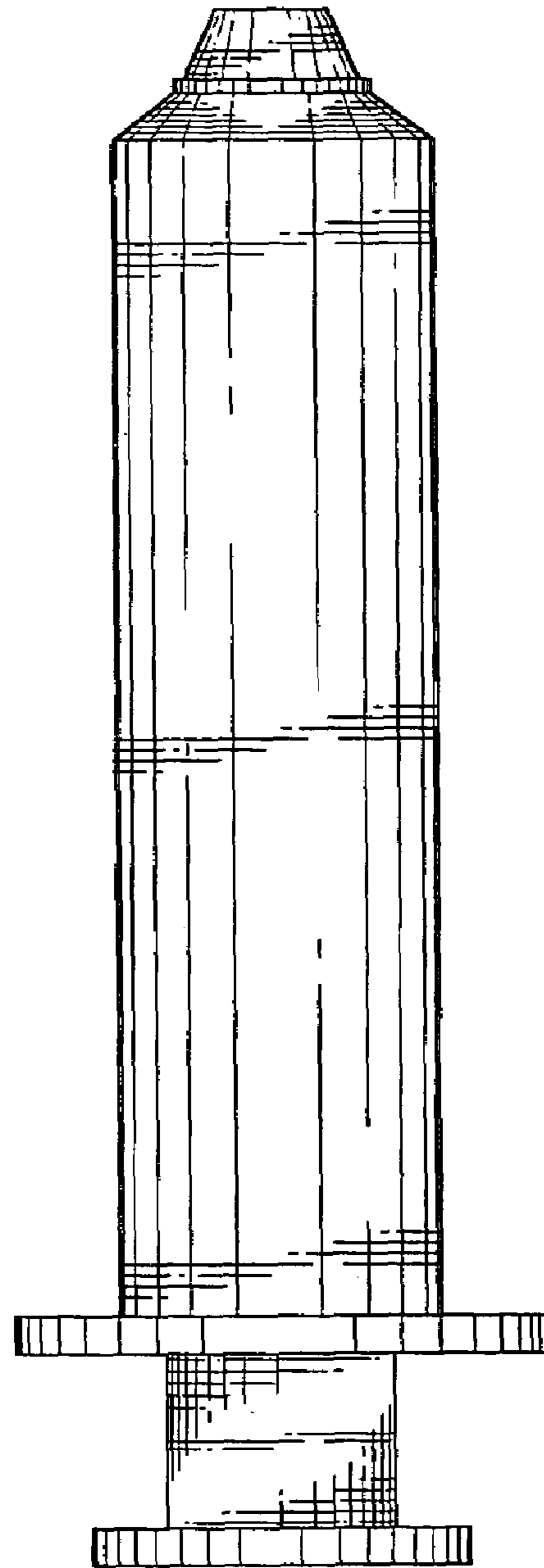
FIG. 7 is a perspective view thereof.

**1 Claim, 4 Drawing Sheets**

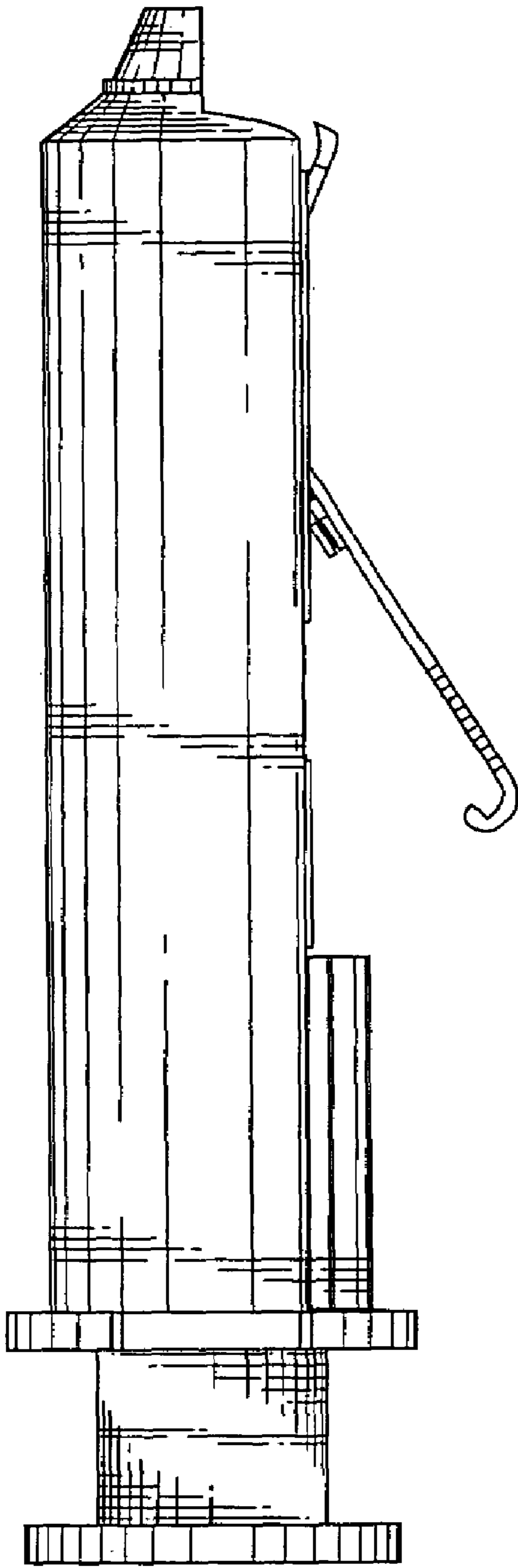




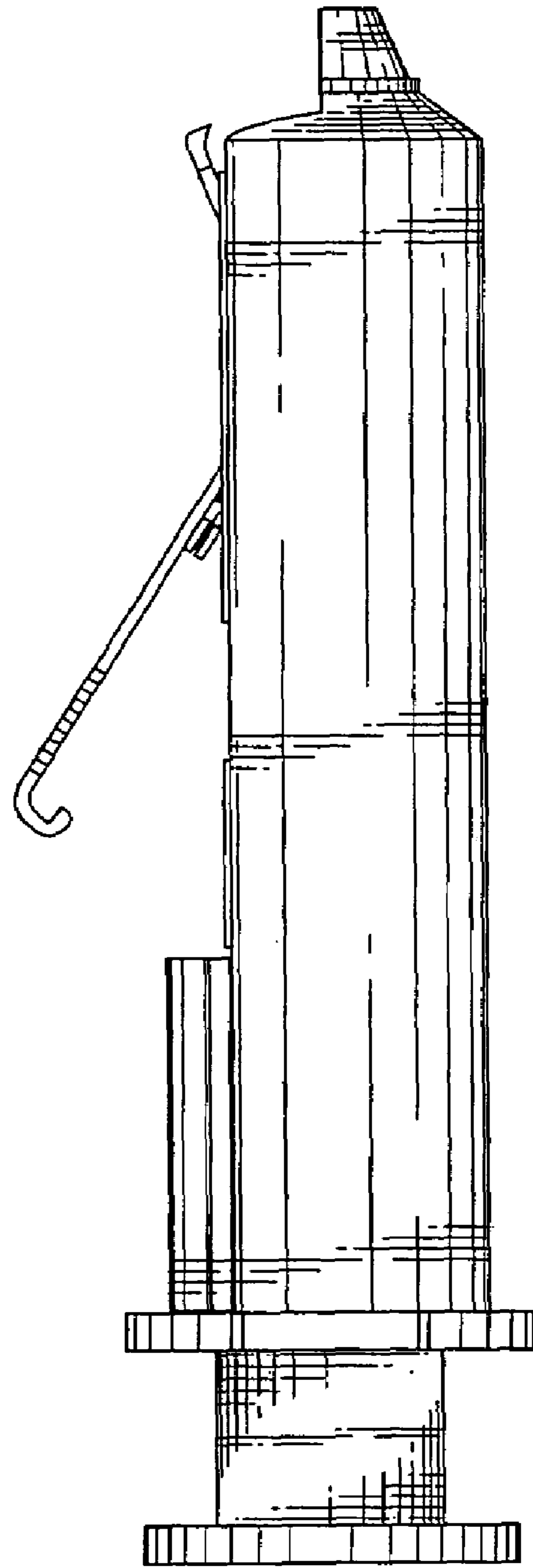
*Fig. 1*



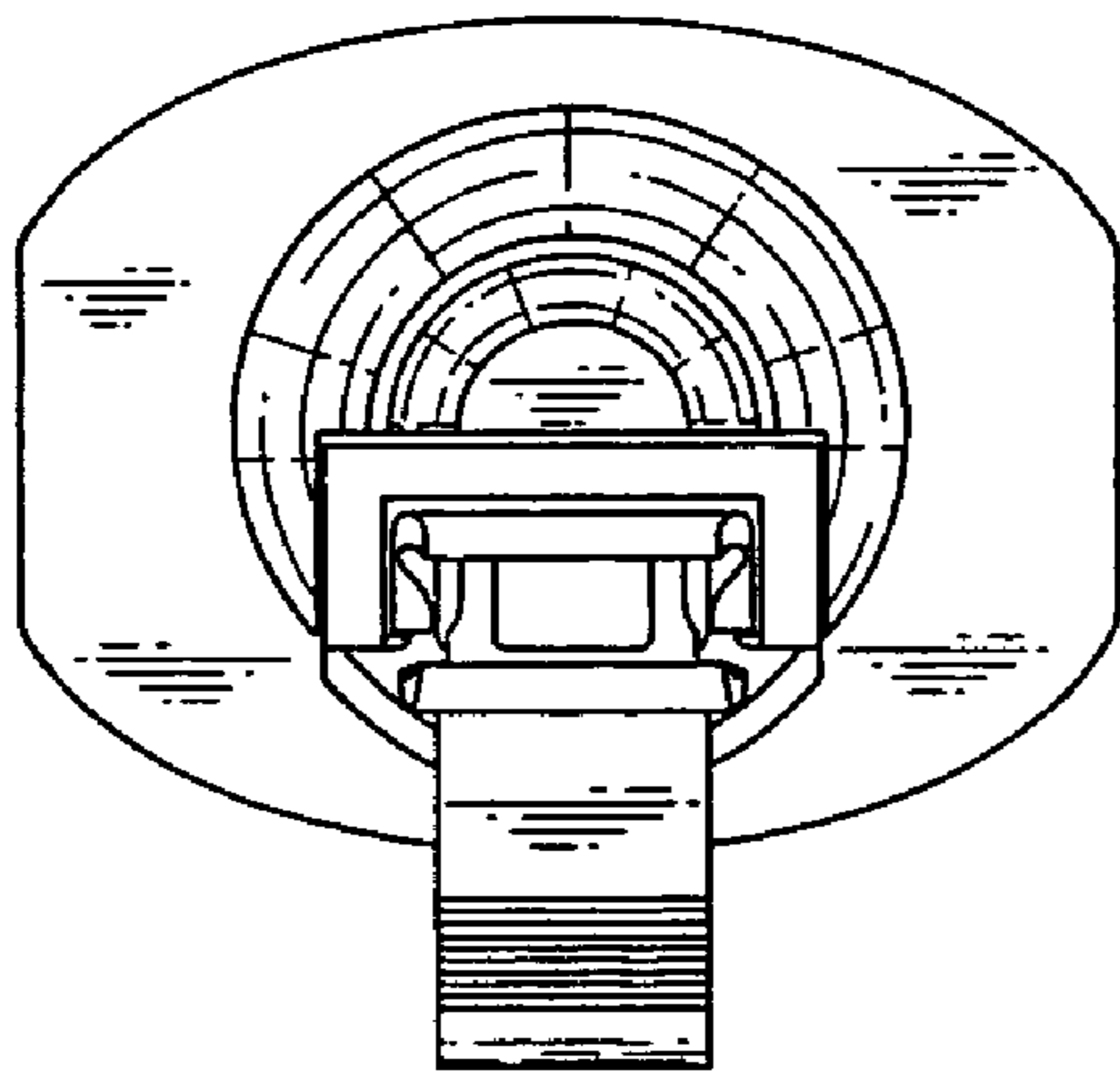
*Fig. 2*



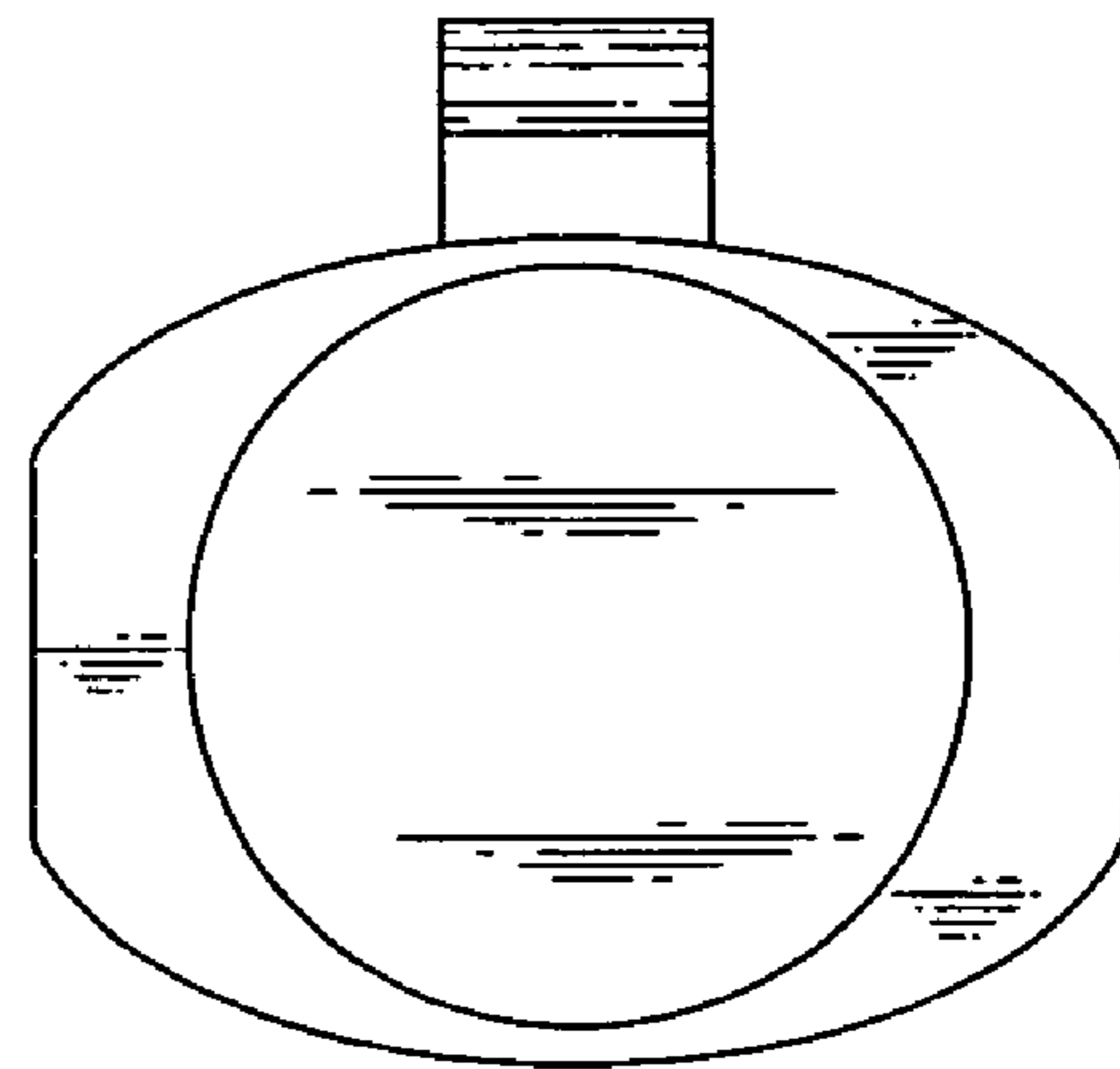
*Fig. 3*



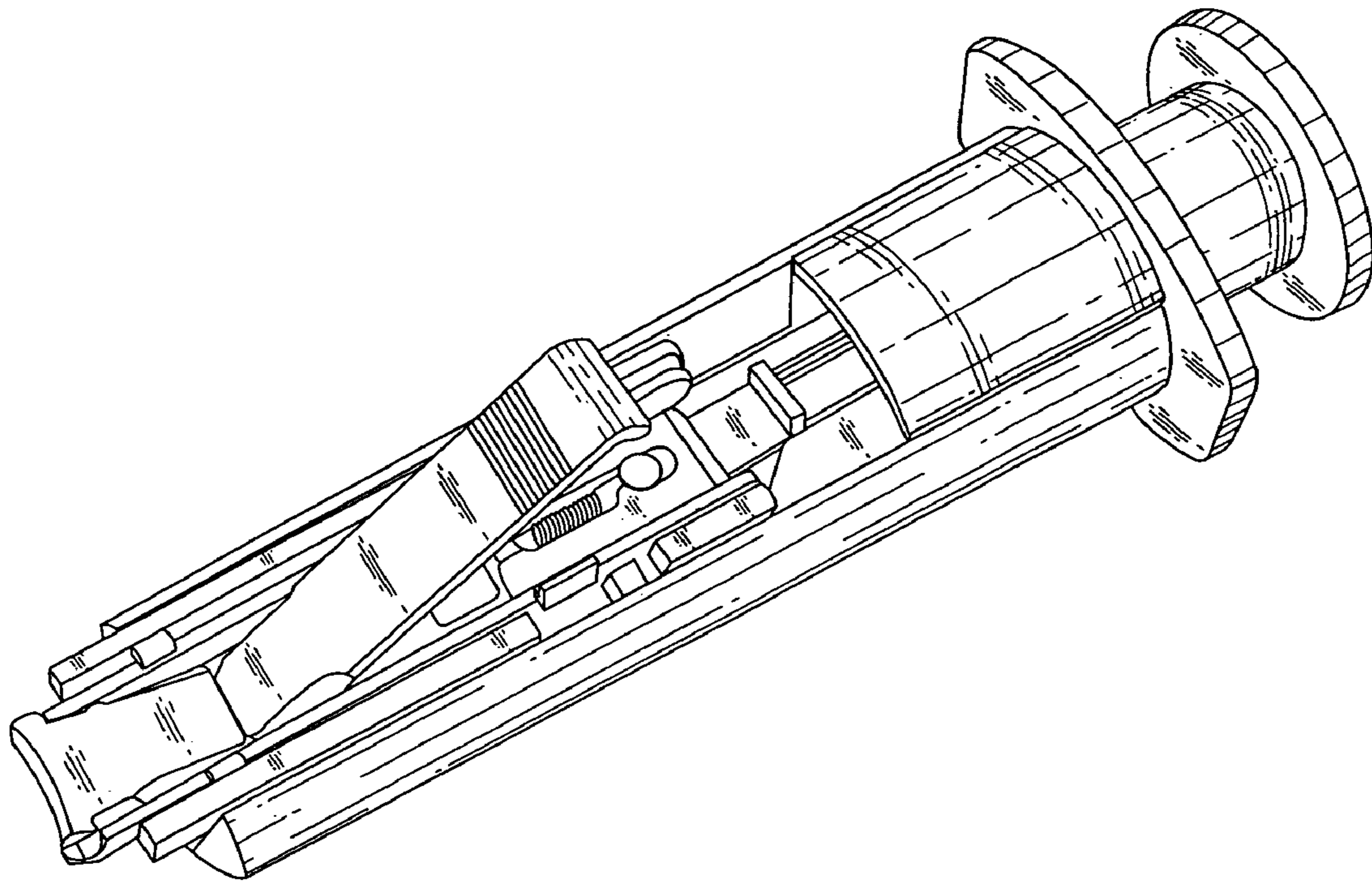
*Fig. 4*



*Fig. 5*



*Fig. 6*



*Fig. 7*