



US00D547900S

(12) **United States Design Patent**
Deron

(10) **Patent No.:** **US D547,900 S**

(45) **Date of Patent:** **** Jul. 31, 2007**

(54) **BACKPLATE FOR A WALL LIGHT FIXTURE**

(75) Inventor: **Ivo O. Deron**, Inman, SC (US)

(73) Assignee: **Hubbell Incorporated**, Orange, CT (US)

(**) Term: **14 Years**

(21) Appl. No.: **29/270,033**

(22) Filed: **Dec. 14, 2006**

Related U.S. Application Data

(62) Division of application No. 29/230,989, filed on May 31, 2005, now Pat. No. Des. 539,461.

(51) **LOC (8) Cl.** **26-99**

(52) **U.S. Cl.** **D26/142; D26/87**

(58) **Field of Classification Search** D26/138,
D26/142-145, 87, 92; 362/432; D8/350,
D8/352, 353

See application file for complete search history.

(56) **References Cited**

U.S. PATENT DOCUMENTS

D20,680 S	4/1891	Blair	
D31,237 S	7/1899	Duffner	
D33,553 S	11/1900	McHenry	
D37,967 S	4/1906	Mygatt	
D44,428 S *	7/1913	White	D26/142
D47,136 S	3/1915	Hotchkin	
D47,335 S	5/1915	Kopp	
D48,153 S	11/1915	Frary	
D48,158 S	11/1915	Morrell	
D52,412 S	9/1918	Strahan	
D63,285 S	11/1923	Dahl	
D66,854 S *	3/1925	Kahns	D26/142
D120,157 S *	4/1940	Giannini	D26/142
D164,908 S	10/1951	Folley	
D173,849 S *	1/1955	Ohno	D8/352
D280,239 S	8/1985	Burket	
D285,123 S	8/1986	Schwartz	

D328,364 S *	7/1992	Dordick	D26/142
D360,274 S	7/1995	Emmerling	
D367,936 S	3/1996	Kay	
D371,432 S *	7/1996	Lobermeier	D8/353
D419,714 S	1/2000	Diaz-Azcuy	
D426,140 S *	6/2000	Ming-Hsiao	D8/352
D428,182 S	7/2000	Dolan	
D428,511 S	7/2000	Hsieh	
D441,488 S	5/2001	Benghozi	
D446,339 S	8/2001	Yang	
D461,587 S *	8/2002	Lee	D26/142
D464,458 S	10/2002	Lee	
D501,058 S	1/2005	Parres	
D523,733 S *	6/2006	Atkinson	D8/353

* cited by examiner

Primary Examiner—Clare E Heflin

(74) *Attorney, Agent, or Firm*—Marcus R. Mickney; Mark S. Bicks; Alfred N. Goodman

(57) **CLAIM**

The ornamental design for a backplate for a wall light fixture, as shown and described.

DESCRIPTION

FIG. 1 is a perspective view of a backplate according to an exemplary embodiment of the present invention, the lamp and connecting arm being illustrated in broken lines;

FIG. 2 is a front elevational view of the backplate illustrated in FIG. 1;

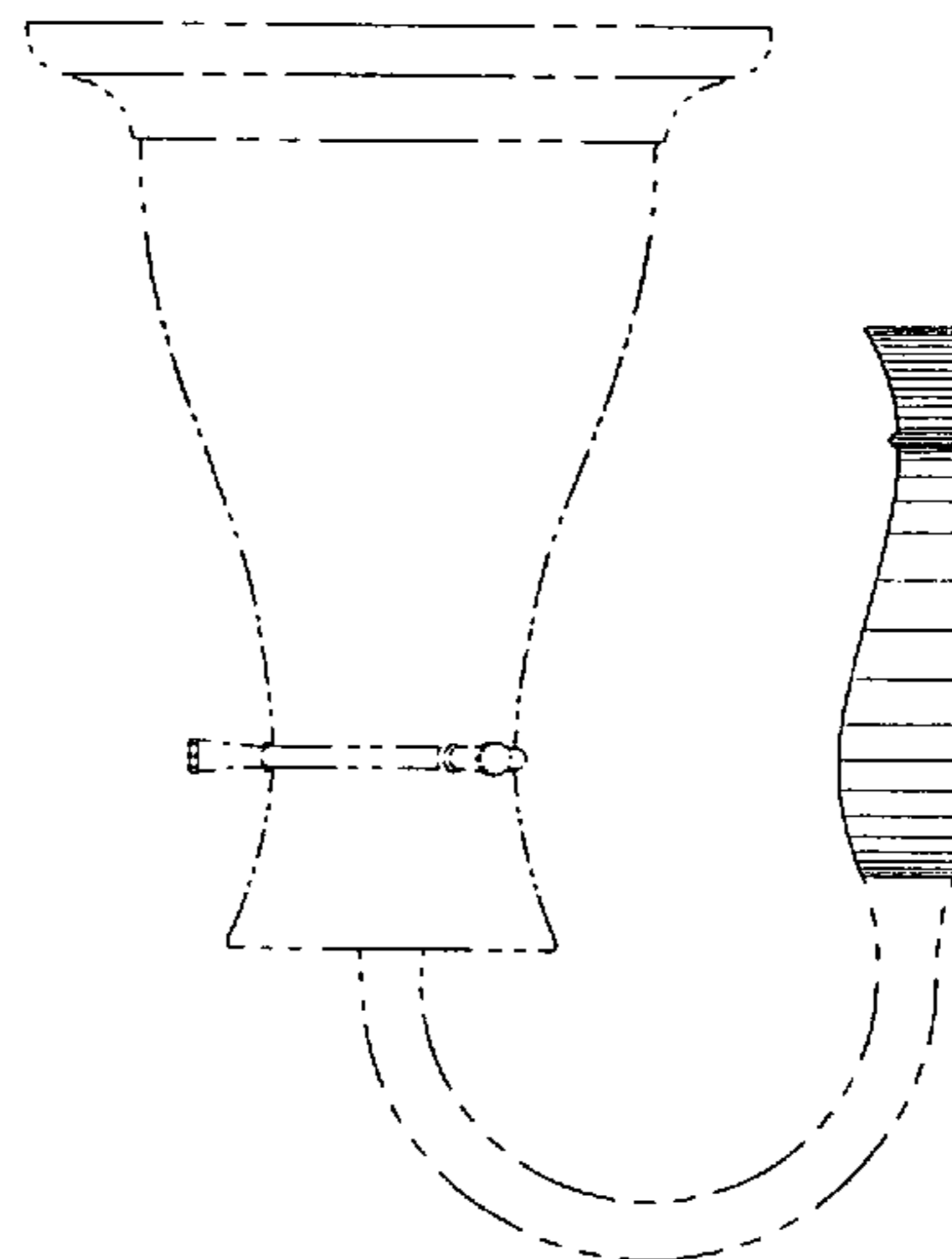
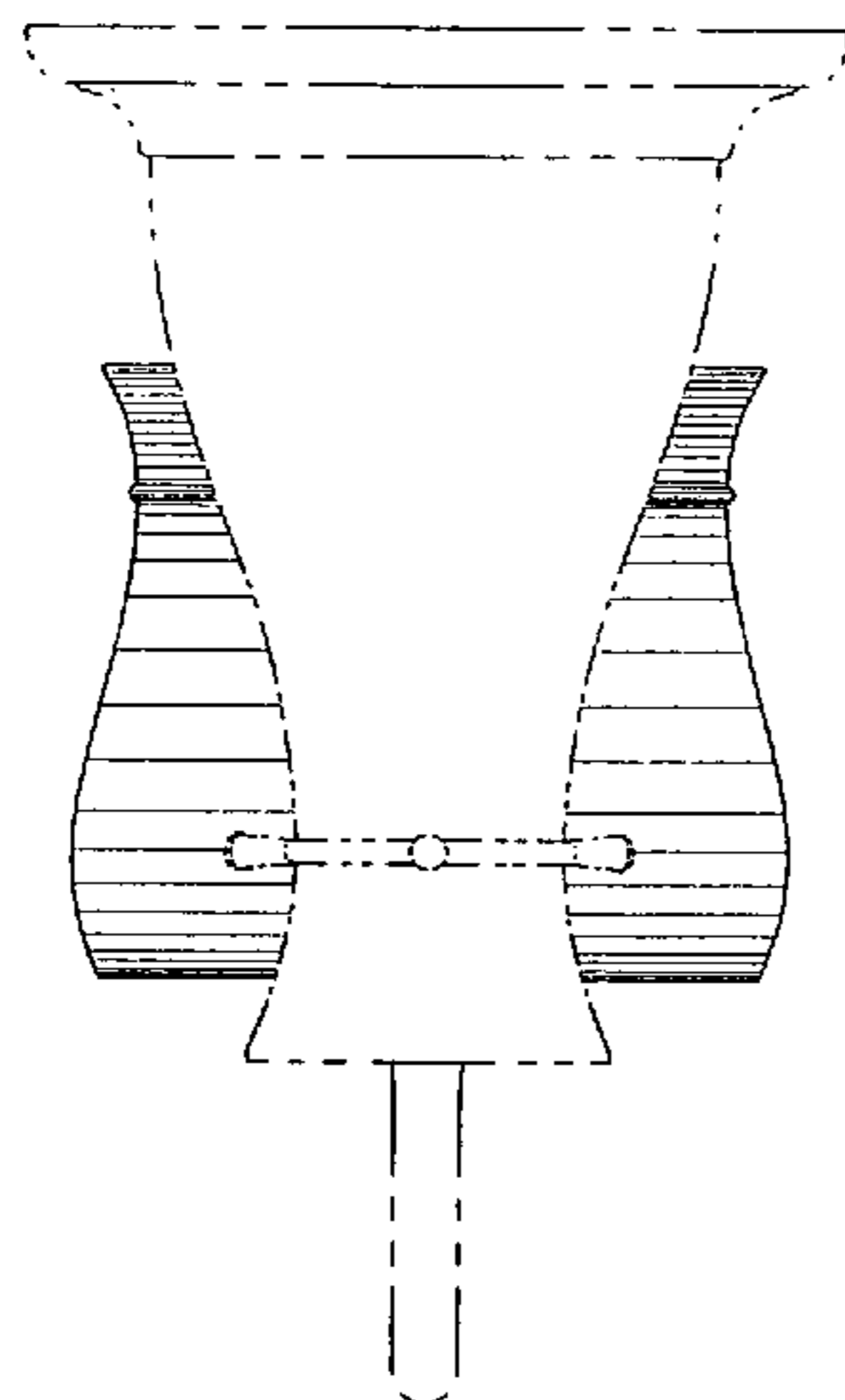
FIG. 3 is a right side elevational view of the backplate illustrated in FIGS. 1-2, the left side being a mirror image thereof;

FIG. 4 is a top plan view of the backplate illustrated in FIGS. 1-3; and,

FIG. 5 is a bottom plan view of the backplate illustrated in FIGS. 1-4.

The broken lines are shown for illustrative purposes only and form no part of the claimed design.

1 Claim, 3 Drawing Sheets



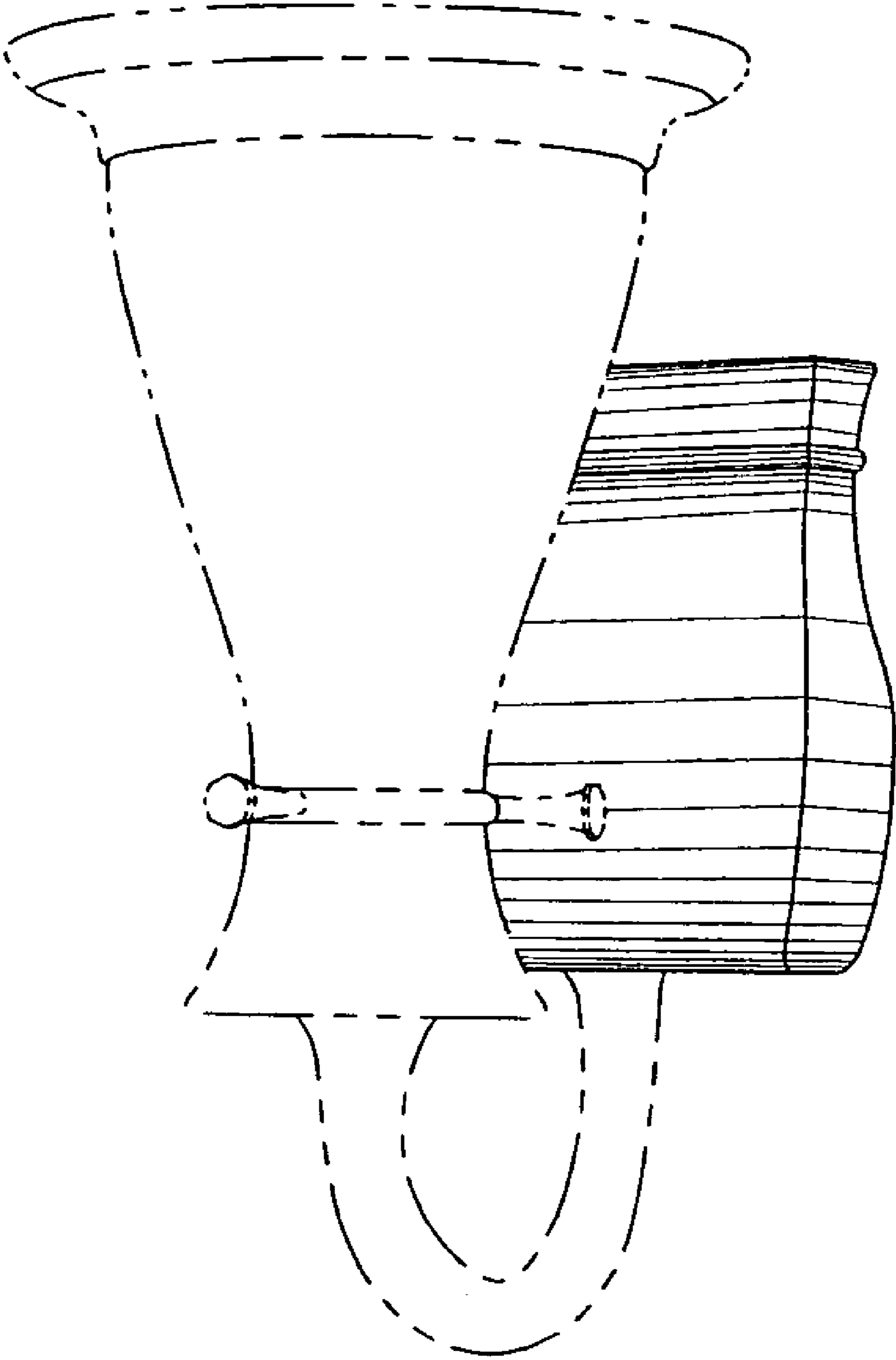


FIG. 1

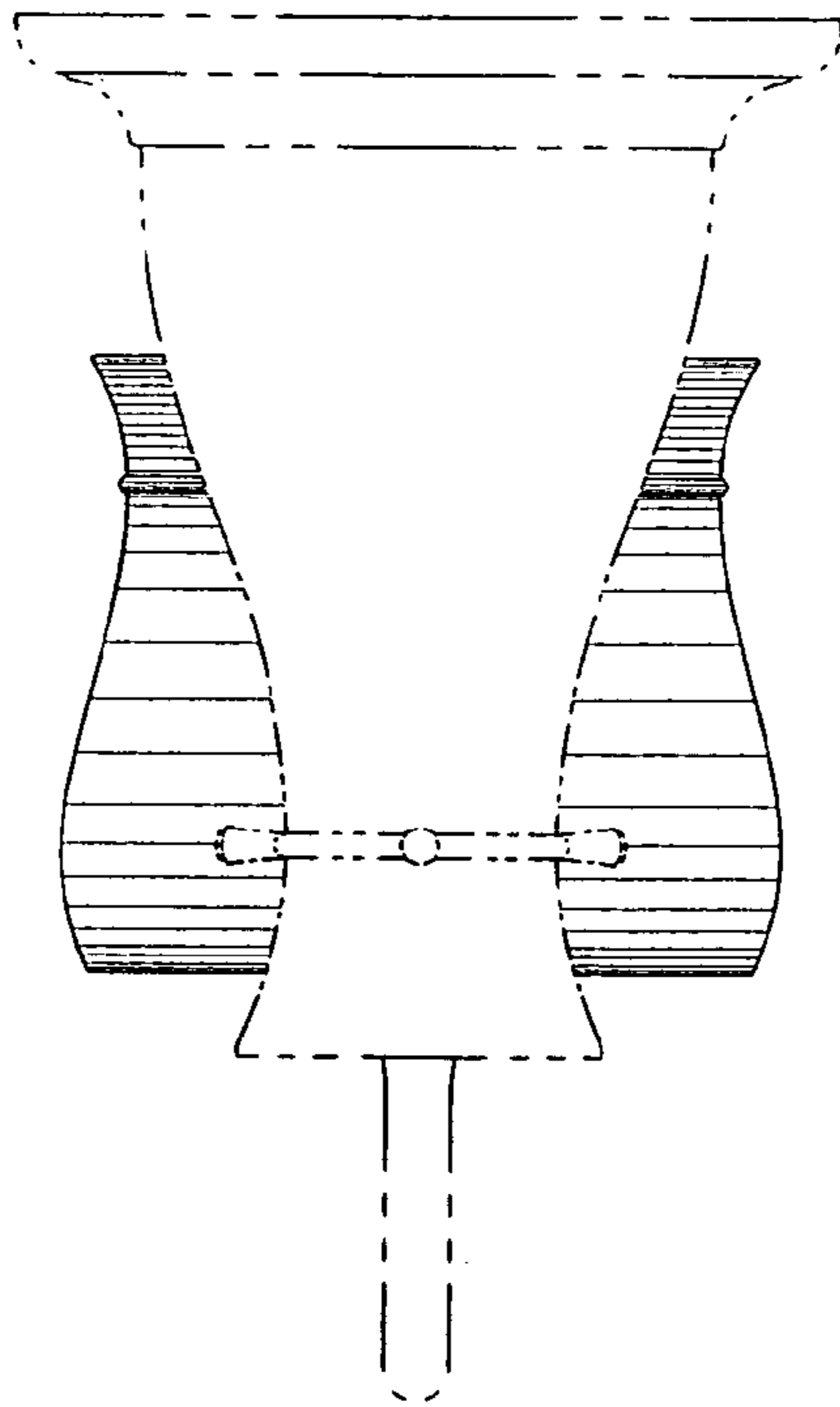


FIG. 2

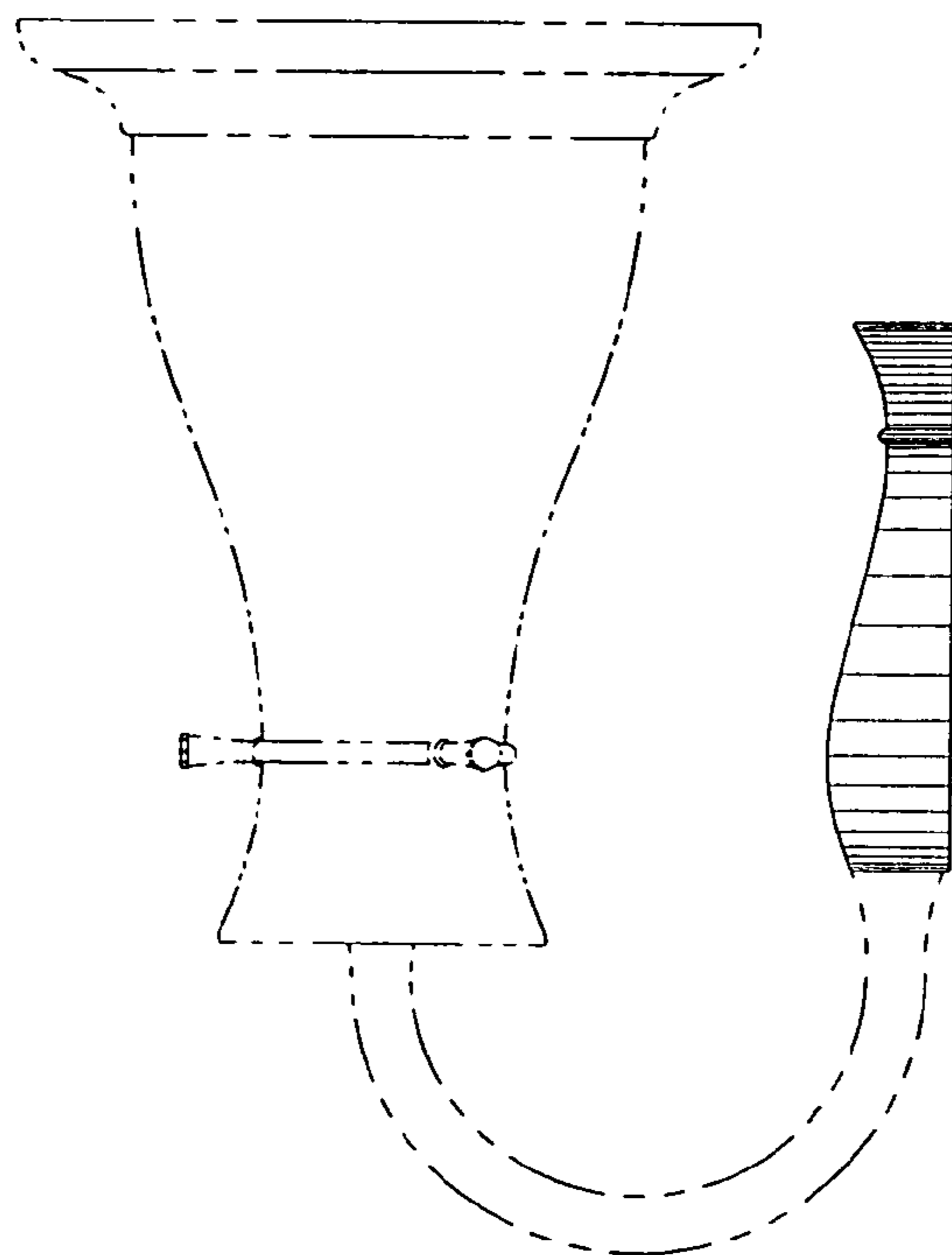


FIG. 3

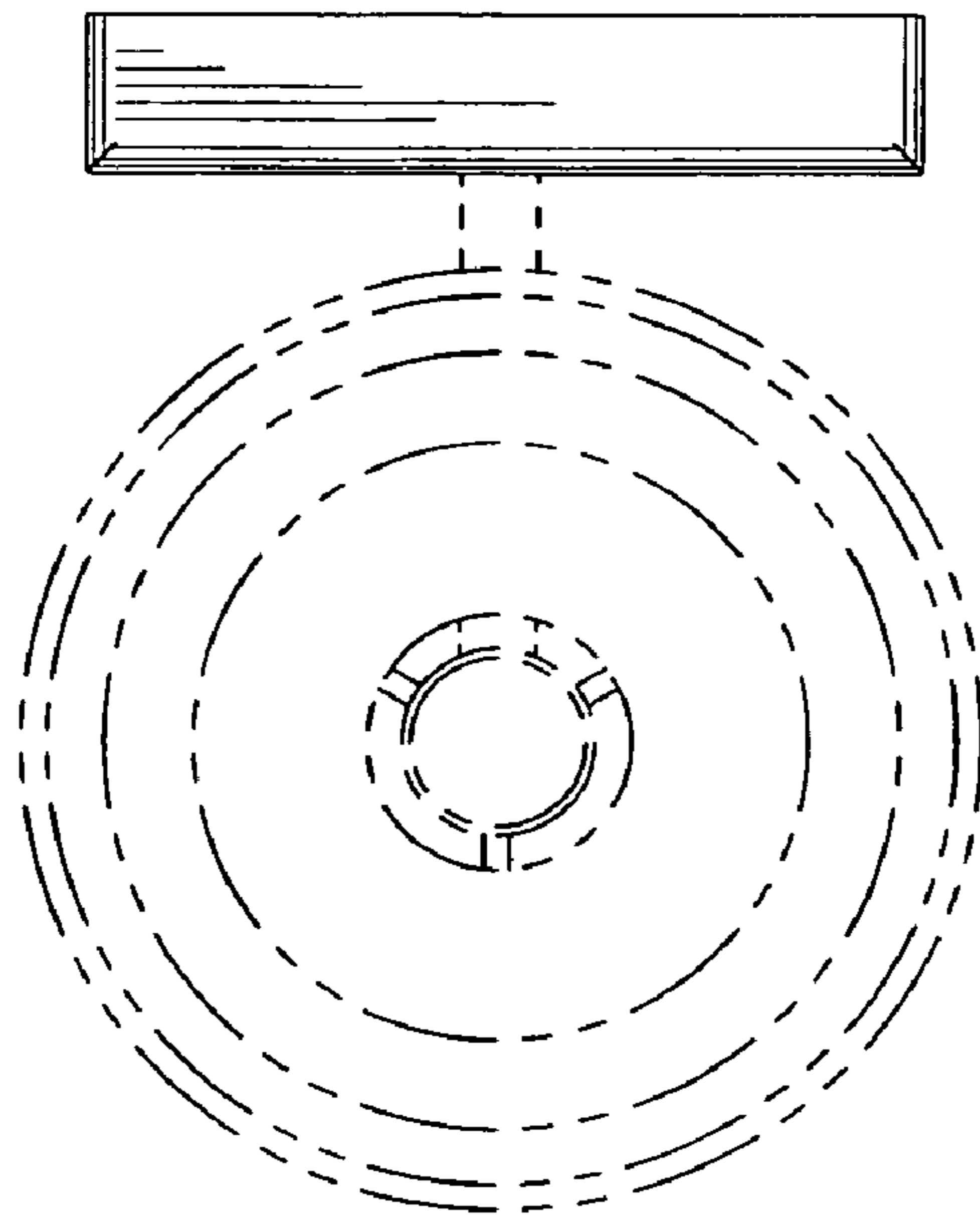


FIG. 4

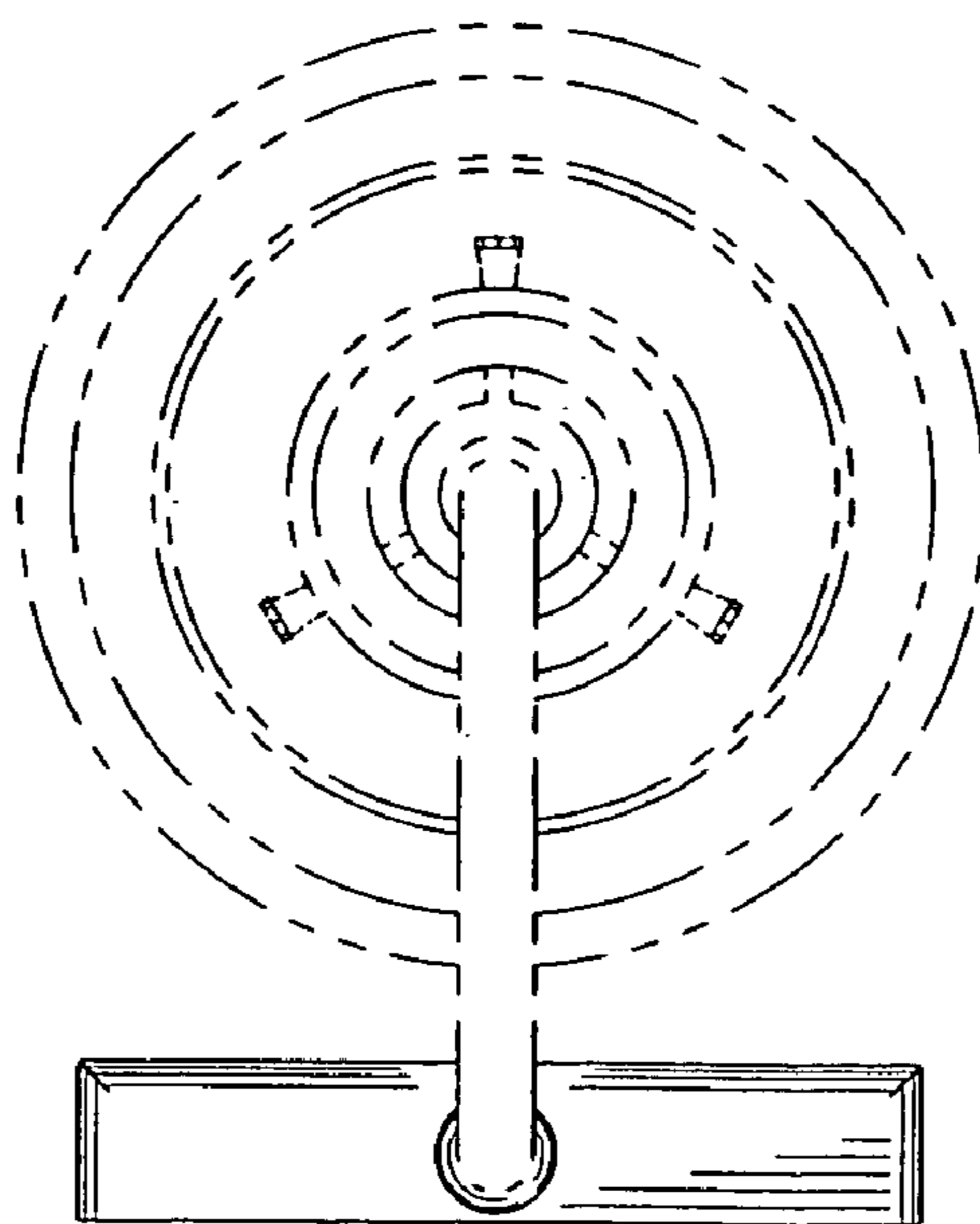


FIG. 5