

US00D547897S

(12) **United States Design Patent** (10) **Patent No.:** **US D547,897 S**  
**Willmorth et al.** (45) **Date of Patent:** **\*\* Jul. 31, 2007**

(54) **LIGHTING FIXTURE**

(75) Inventors: **Kevin L. Willmorth**, Germantown, WI (US); **Michael A. Arndt**, Franklin, WI (US); **Christopher G. Arns**, Milwaukee, WI (US)

(73) Assignee: **Oldenburg Group Incorporated**, Glendale, WI (US)

(\*\*) Term: **14 Years**

(21) Appl. No.: **29/237,541**

(22) Filed: **Sep. 1, 2005**

(51) **LOC (8) Cl.** ..... **26-03**

(52) **U.S. Cl.** ..... **D26/76; D26/75**

(58) **Field of Classification Search** ..... D26/72, D26/74-79; 362/217-225, 283, 147, 363  
See application file for complete search history.

(56) **References Cited**

**U.S. PATENT DOCUMENTS**

D127,823	S	*	6/1941	Biller	.....	D26/78
D130,059	S	*	10/1941	Herr	.....	D26/78
D163,762	S	*	6/1951	McCann	.....	D26/76
D177,232	S	*	3/1956	Harling	.....	D26/24
3,069,537	A	*	12/1962	Dayton et al.	.....	362/222
D206,286	S	*	11/1966	Ostyn	.....	D26/76
D280,346	S	*	8/1985	Aspenwall	.....	D26/75
D291,928	S	*	9/1987	Morten	.....	D26/76
D330,269	S	*	10/1992	Hong	.....	D26/76
D348,947	S	*	7/1994	Holcomb	.....	D26/76
D371,858	S	*	7/1996	Waldmann	.....	D26/76
D396,122	S	*	7/1998	Noh	.....	D26/76
D424,230	S	*	5/2000	Noh	.....	D26/76
D438,326	S	*	2/2001	Kan	.....	D26/76
D451,228	S	*	11/2001	Poon	.....	D26/76
6,382,817	B1	*	5/2002	Chelf	.....	362/322
D496,486	S	*	9/2004	Kan	.....	D26/76
D498,867	S	*	11/2004	Keller	.....	D26/78
D502,565	S	*	3/2005	Hetfield	.....	D26/76
D523,165	S	*	6/2006	Schultz	.....	D26/76

\* cited by examiner

*Primary Examiner*—Louis S. Zarfes

*Assistant Examiner*—Susan E Krakower

(74) *Attorney, Agent, or Firm*—Reinhart Boerner Van Deuren S.C.

(57) **CLAIM**

The ornamental design for a lighting fixture, as shown and described.

**DESCRIPTION**

FIG. 1 is a perspective view of a first embodiment of the lighting fixture of the present invention shown from the front and the side, thereof;

FIG. 2 is an end elevational view of the lighting fixture illustrated in FIG. 1, the opposite end of the lighting fixture illustrated in FIG. 1 and the ends of a second embodiment of the lighting fixture of the present invention as illustrated in FIGS. 6-9 being identical thereto;

FIG. 3 is a front plan view of the lighting fixture illustrated in FIGS. 1 and 2;

FIG. 4 is a side elevational view of the lighting fixture illustrated in FIGS. 1-3, the opposite side of the lighting fixture illustrated in FIGS. 1-3 being identical thereto;

FIG. 5 is a back plan view of the lighting fixture illustrated in FIGS. 1-4;

FIG. 6 is a perspective view of a second embodiment of the lighting fixture of the present invention shown from the front and side, thereof;

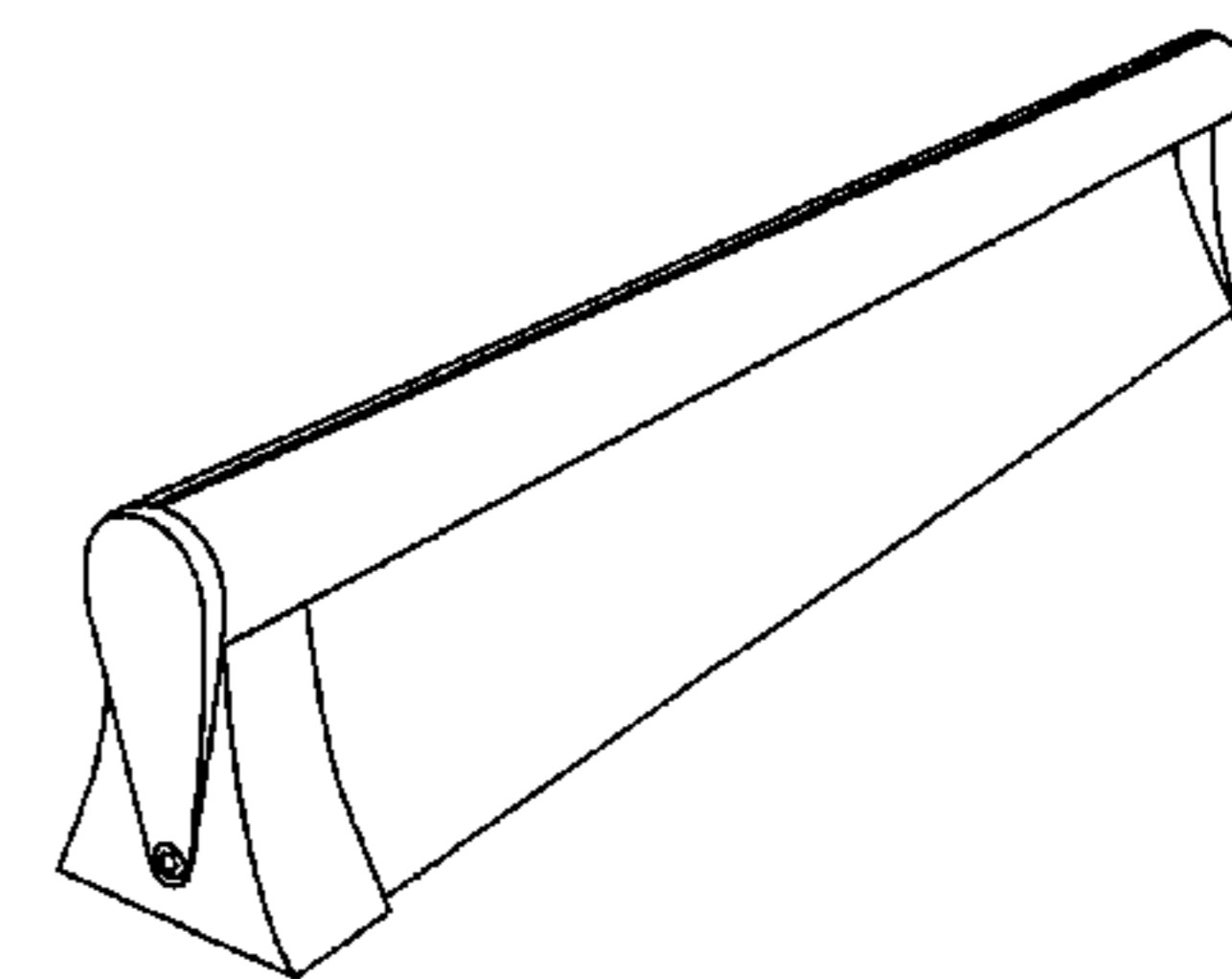
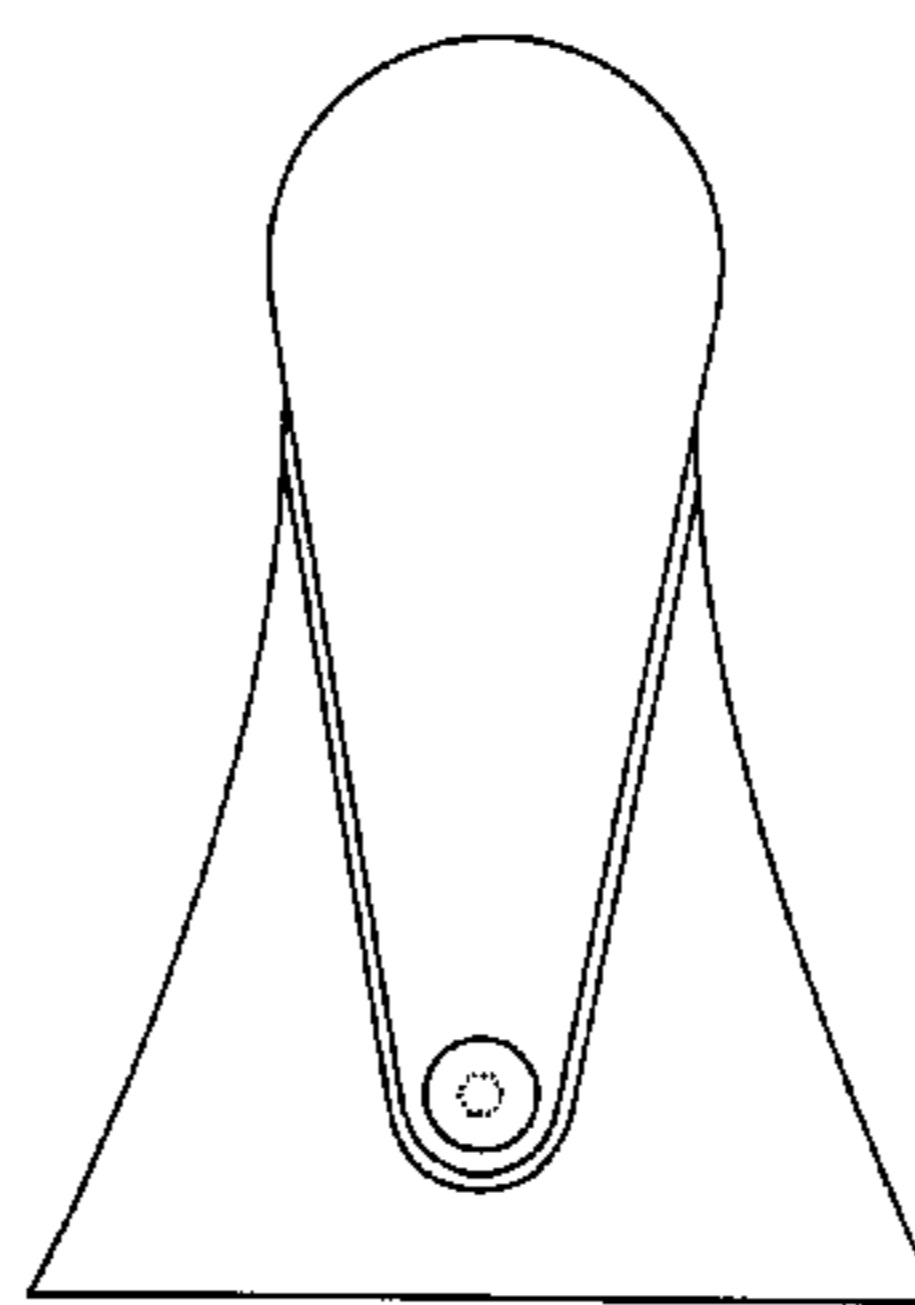
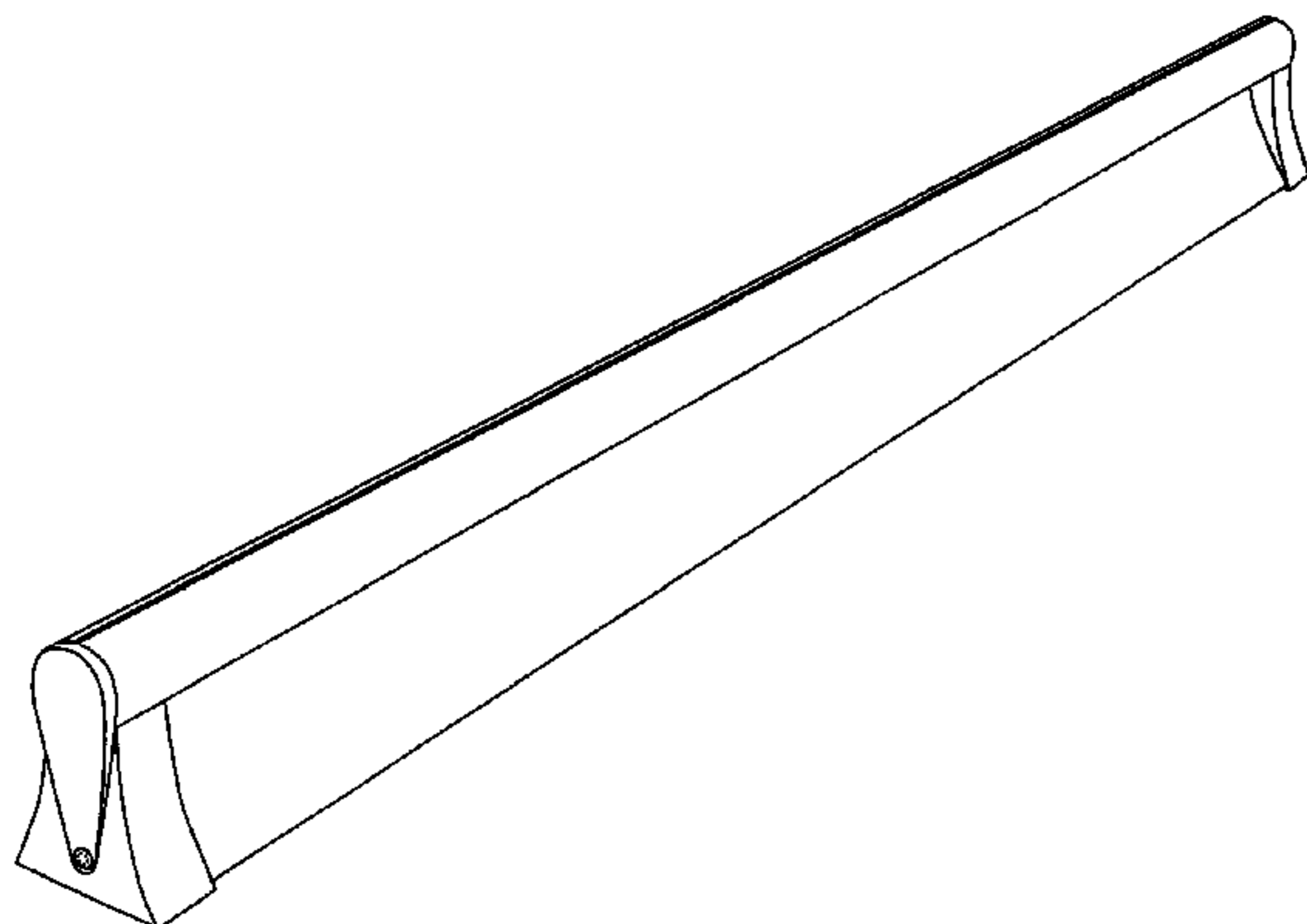
FIG. 7 is a front plan view of the lighting fixture illustrated in FIG. 6;

FIG. 8 is a side elevational view of the lighting fixture illustrated in FIGS. 6-7, the opposite side of the lighting fixture illustrated in FIGS. 6-7 being identical thereto; and,

FIG. 9 is a back plan view of the lighting fixture illustrated in FIGS. 6-8.

The broken line representations of fastener structures in FIGS. 1 and 2 and mounting structures in FIGS. 5 and 9 are for the purpose of illustration only, and form no part of the claimed design.

**1 Claim, 9 Drawing Sheets**



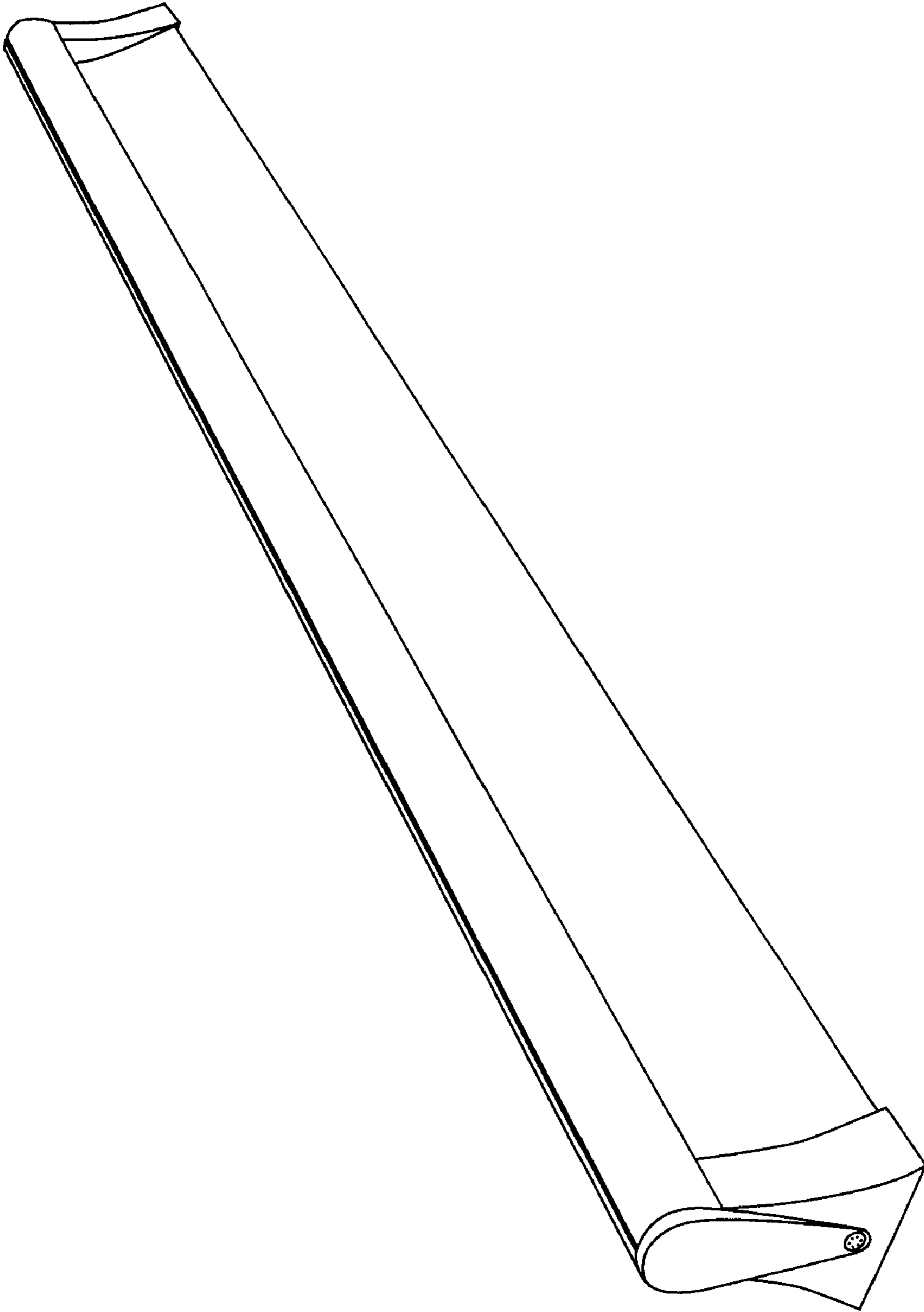


FIG. 1

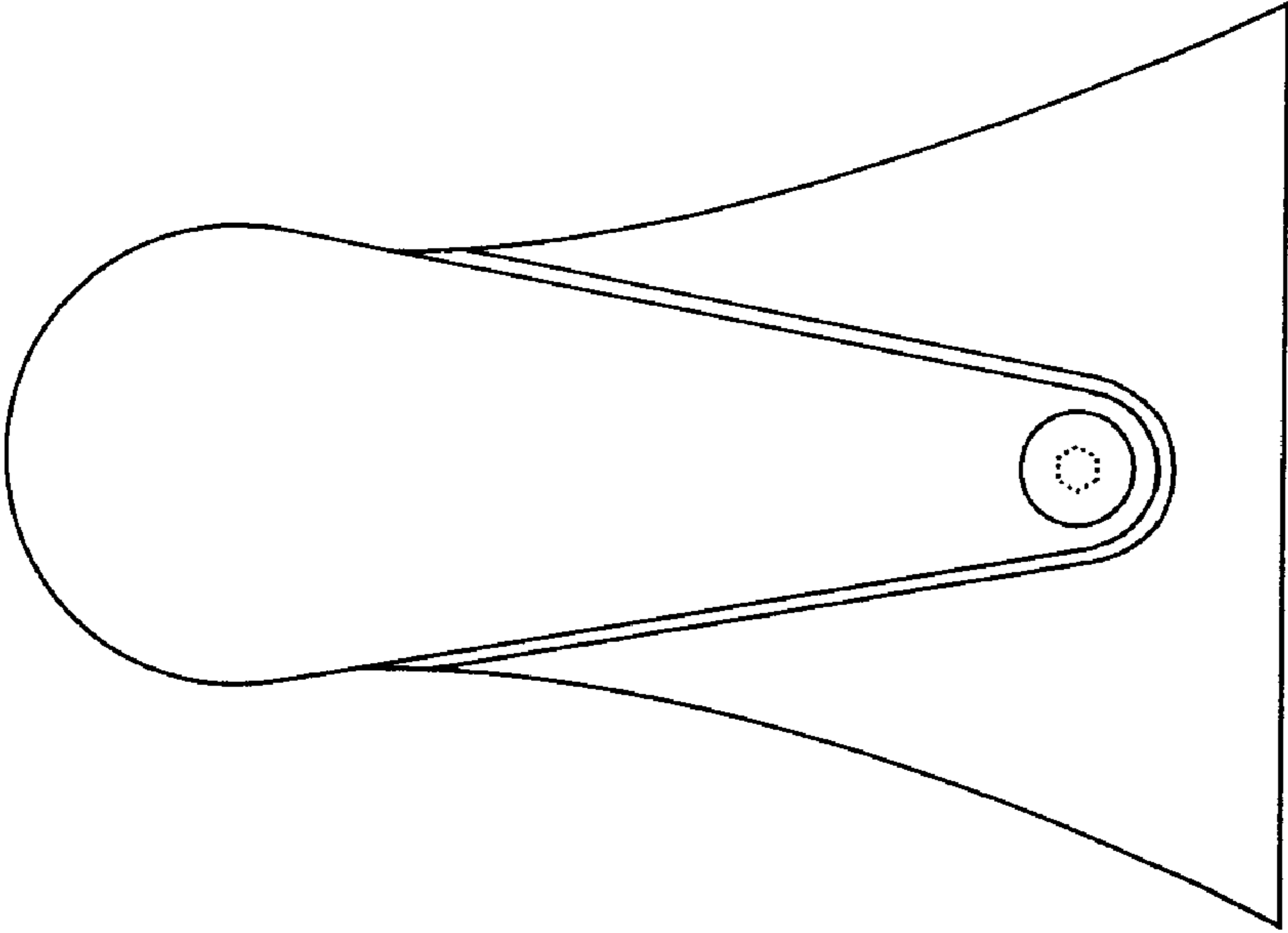


FIG. 2

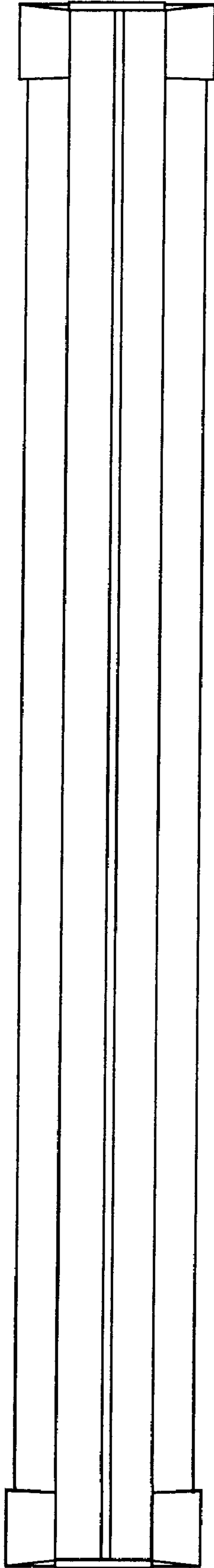


FIG. 3

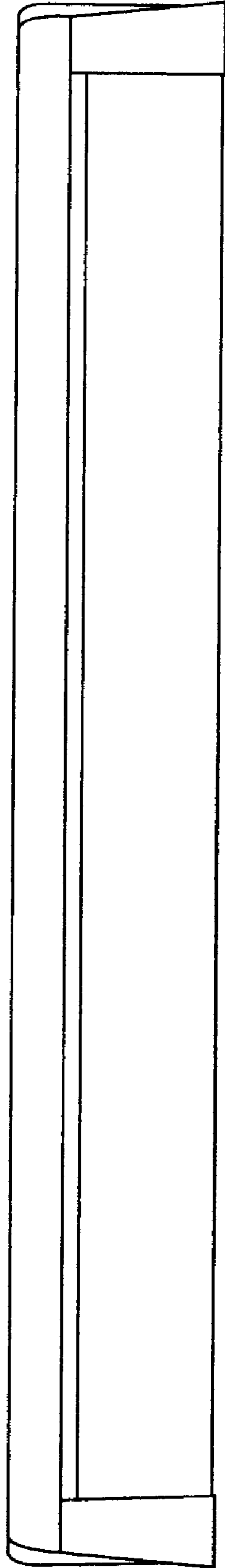


FIG. 4

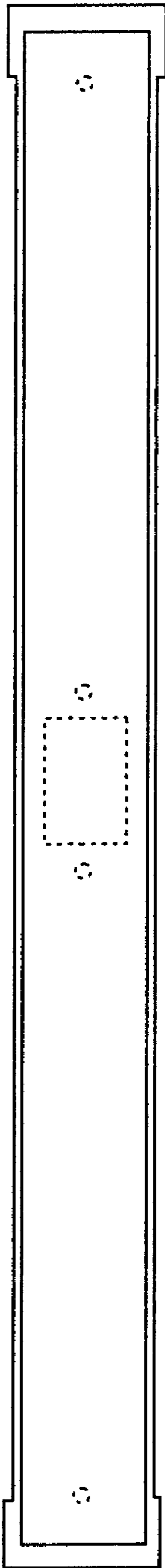


FIG. 5

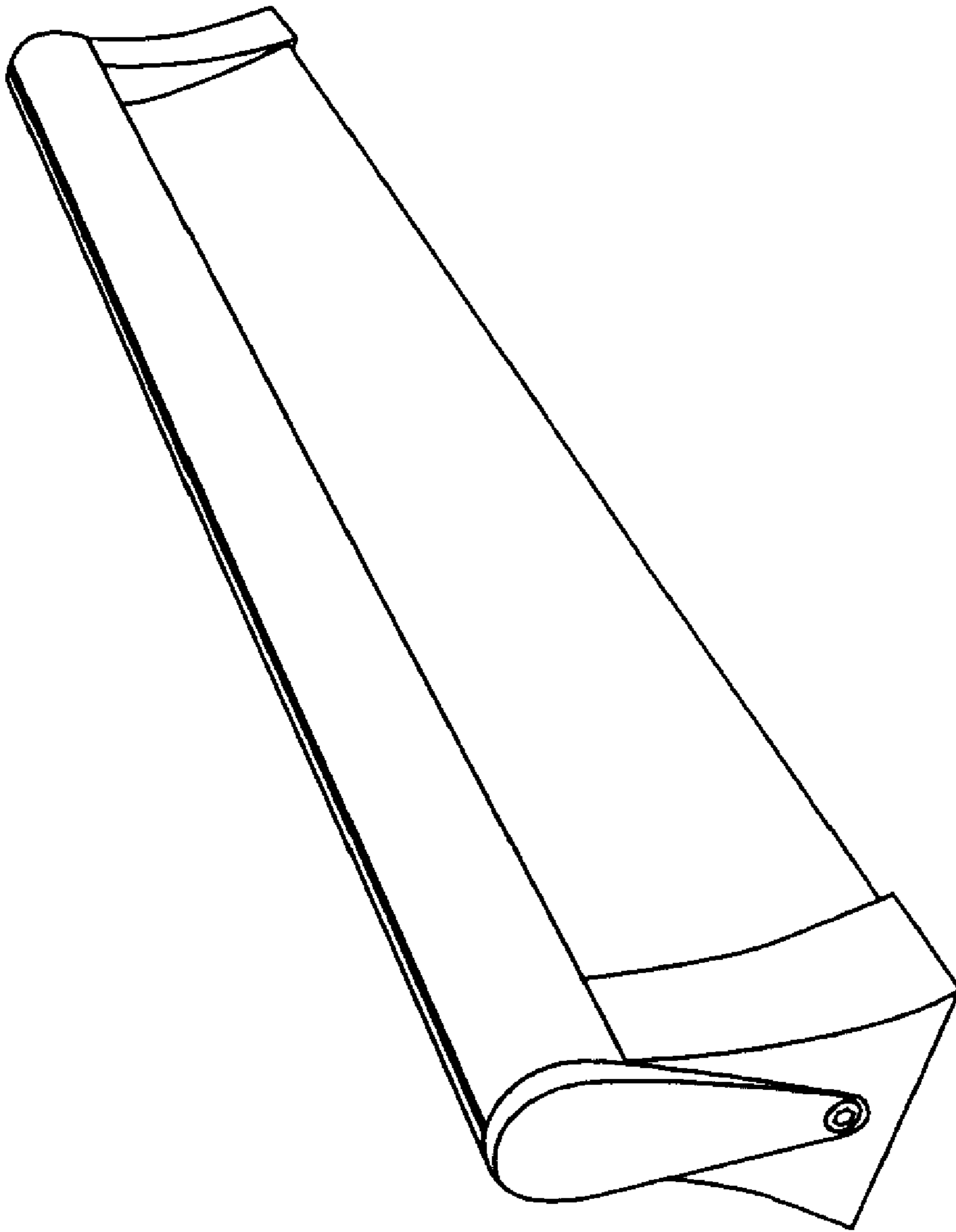


FIG. 6

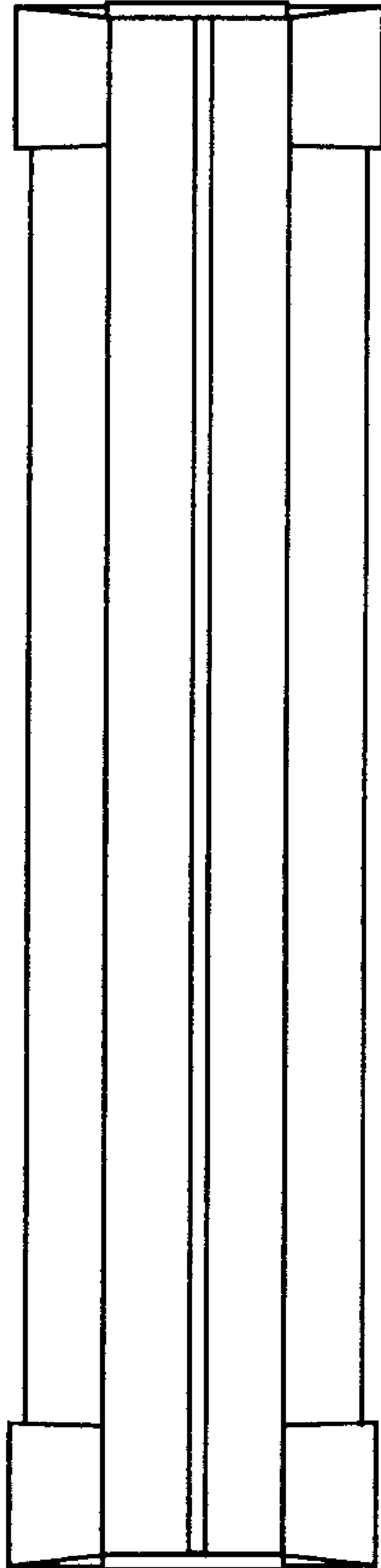


FIG. 7



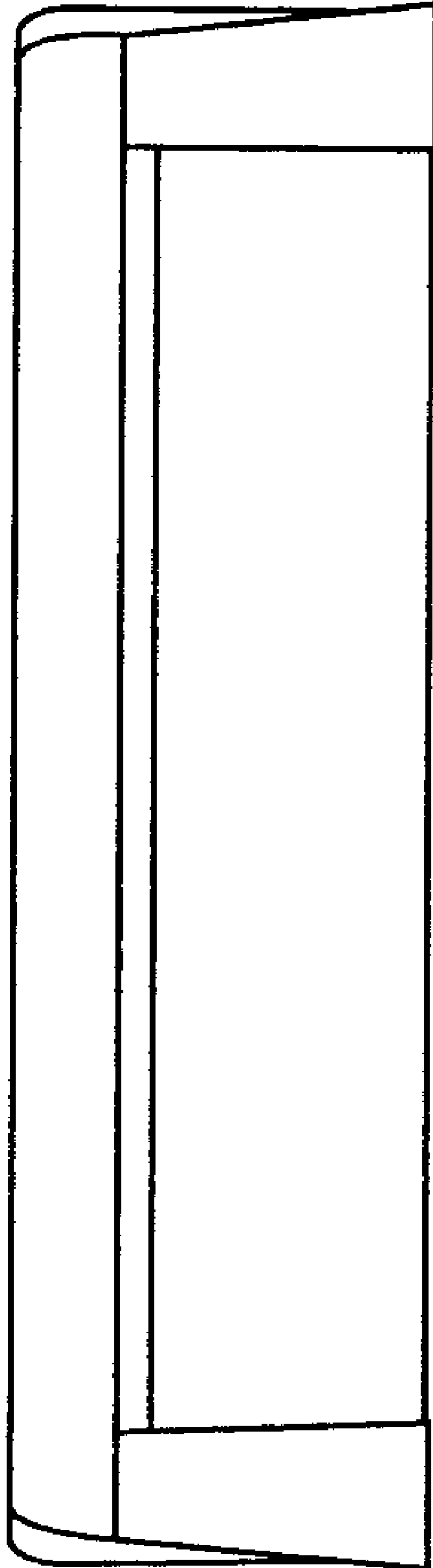


FIG. 8

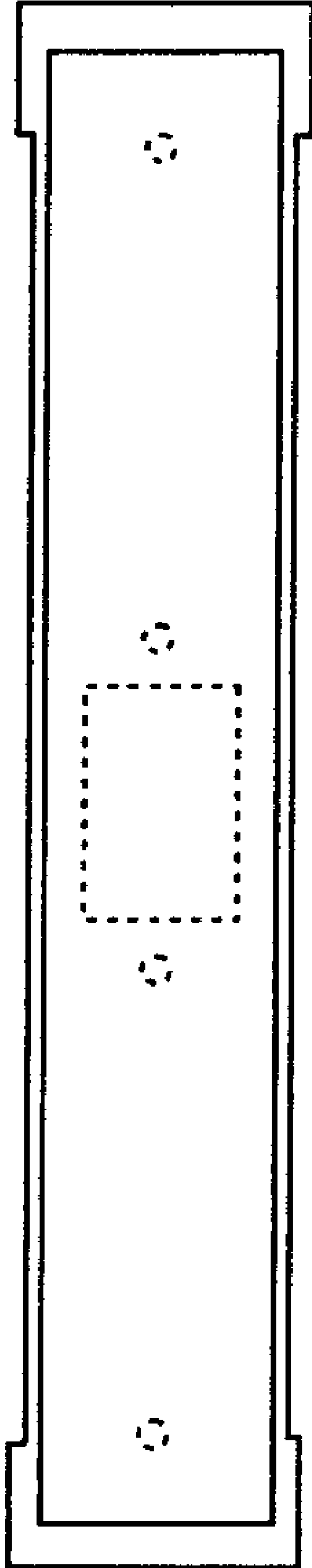


FIG. 9