



US00D547896S

(12) **United States Design Patent**
Yifei

(10) **Patent No.:** **US D547,896 S**

(45) **Date of Patent:** **** Jul. 31, 2007**

(54) **STUDIO FLASH LIGHT**

(75) Inventor: **Pu Yifei**, Mianyang (CN)

(73) Assignee: **Ningbo Jinhui Photographic Equipment Co., Ltd.** (CN)

(**) Term: **14 Years**

(21) Appl. No.: **29/250,994**

(22) Filed: **Dec. 8, 2006**

(51) **LOC (8) Cl.** **26-05**

(52) **U.S. Cl.** **D26/63**

(58) **Field of Classification Search** D26/61-66;
362/269-270, 275-278, 281, 283-286, 345,
362/401-402, 423-427

See application file for complete search history.

(56) **References Cited**

U.S. PATENT DOCUMENTS

D358,225 S * 5/1995 Lin D26/63

D360,959 S * 8/1995 Donato et al. D26/63

D438,320 S * 2/2001 Tang D26/63

D482,476 S * 11/2003 Kwong D26/63

* cited by examiner

Primary Examiner—Marcus A. Jackson

(74) *Attorney, Agent, or Firm*—Bose McKinney & Evans LLP

(57) **CLAIM**

The ornamental design for a studio flash light, as shown and described.

DESCRIPTION

FIG. 1 is a first side elevational view of a studio flash light of the present invention;

FIG. 2 is a top plan view thereof;

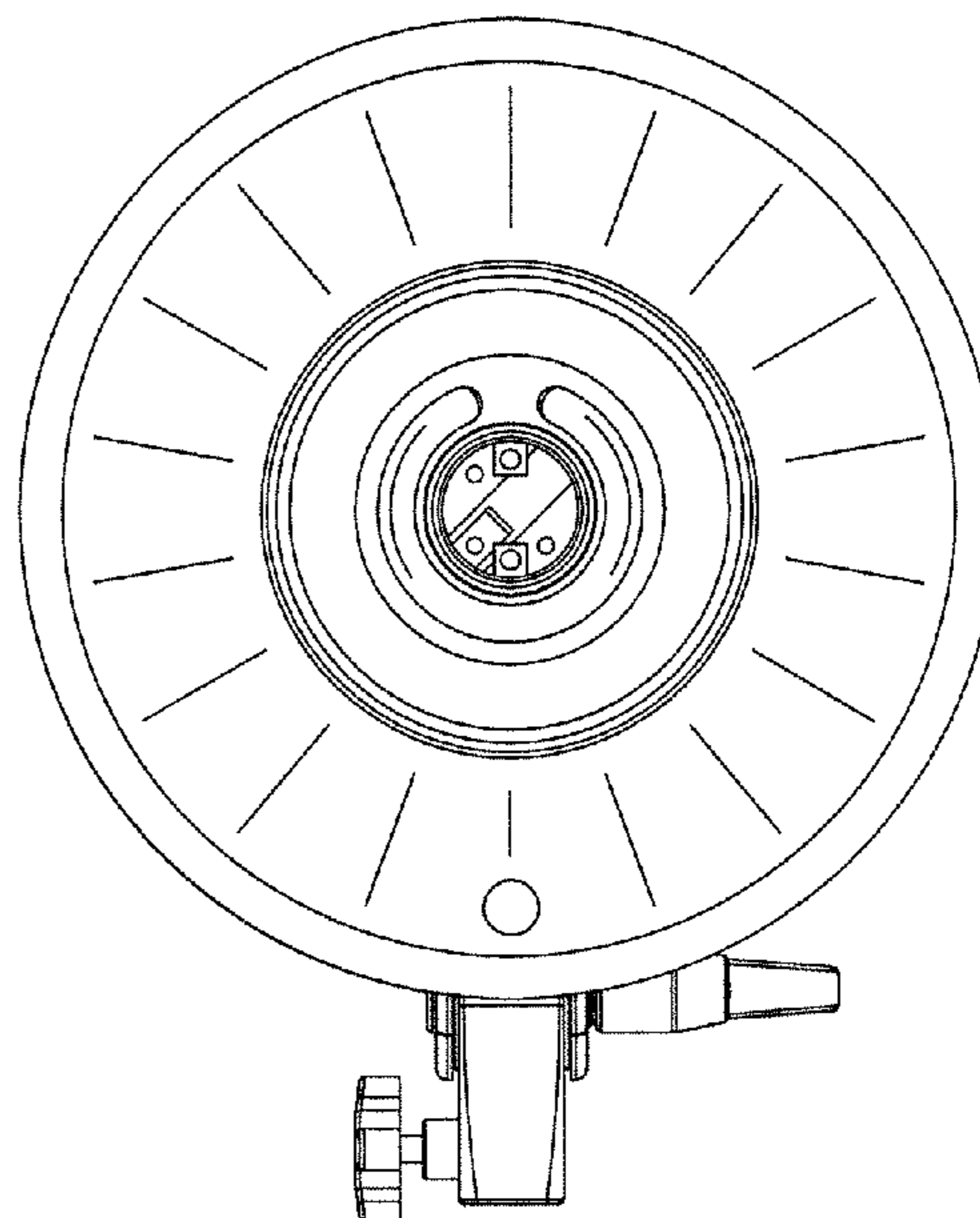
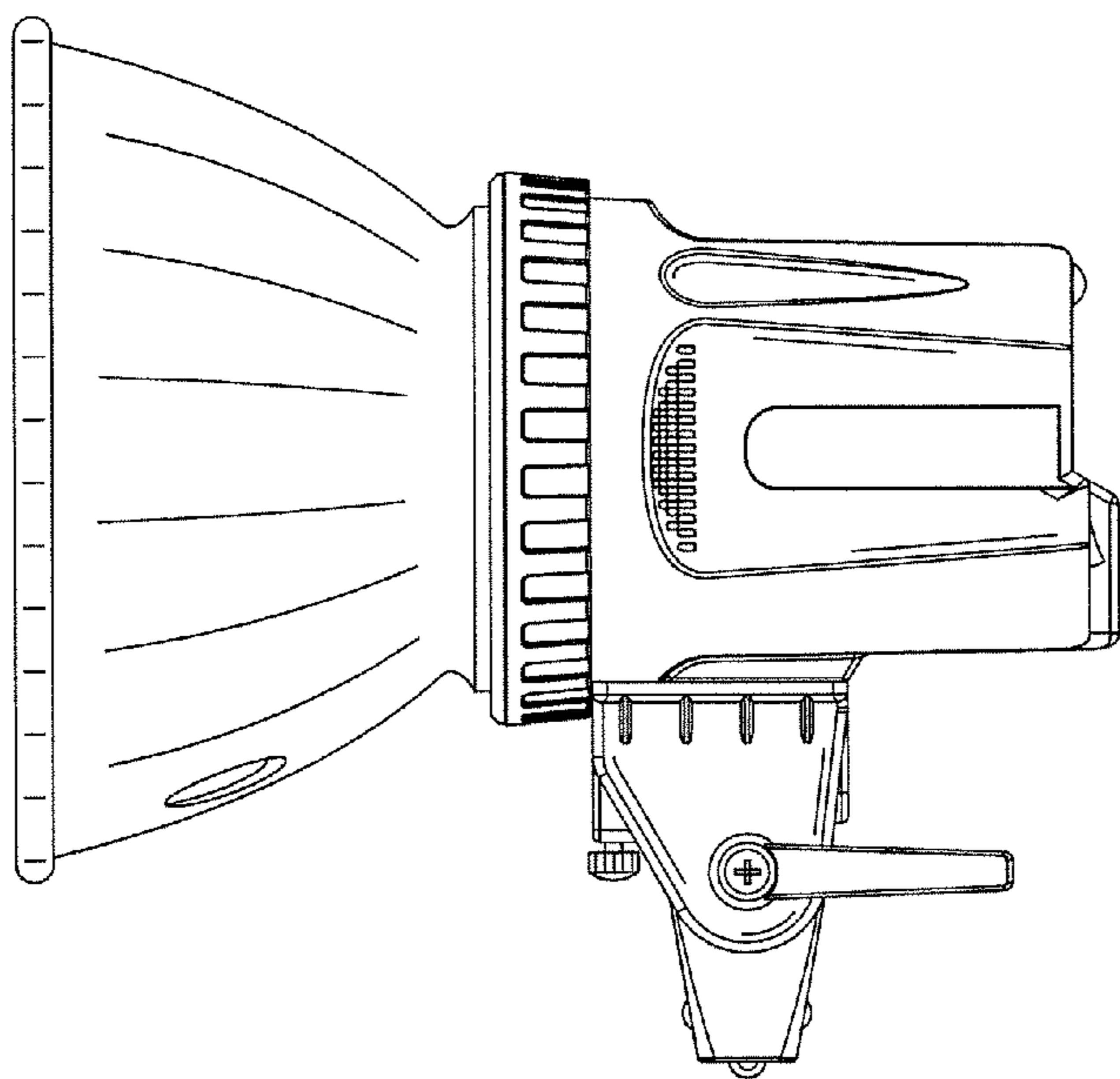
FIG. 3 is a bottom plan view thereof;

FIG. 4 is a second side elevational view thereof;

FIG. 5 is a rear elevational view thereof; and,

FIG. 6 is a front elevational view thereof.

1 Claim, 4 Drawing Sheets



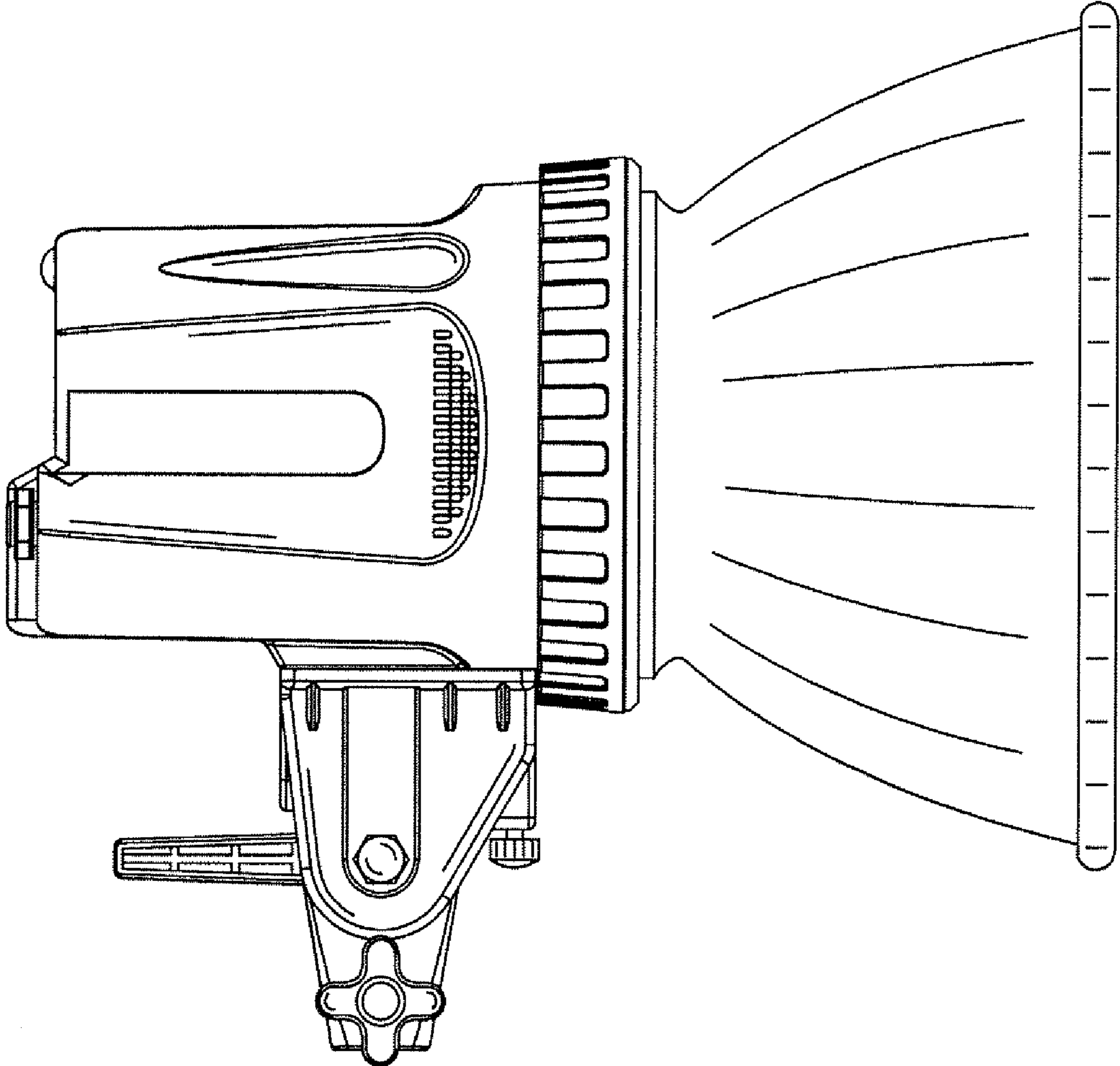


FIG. 1

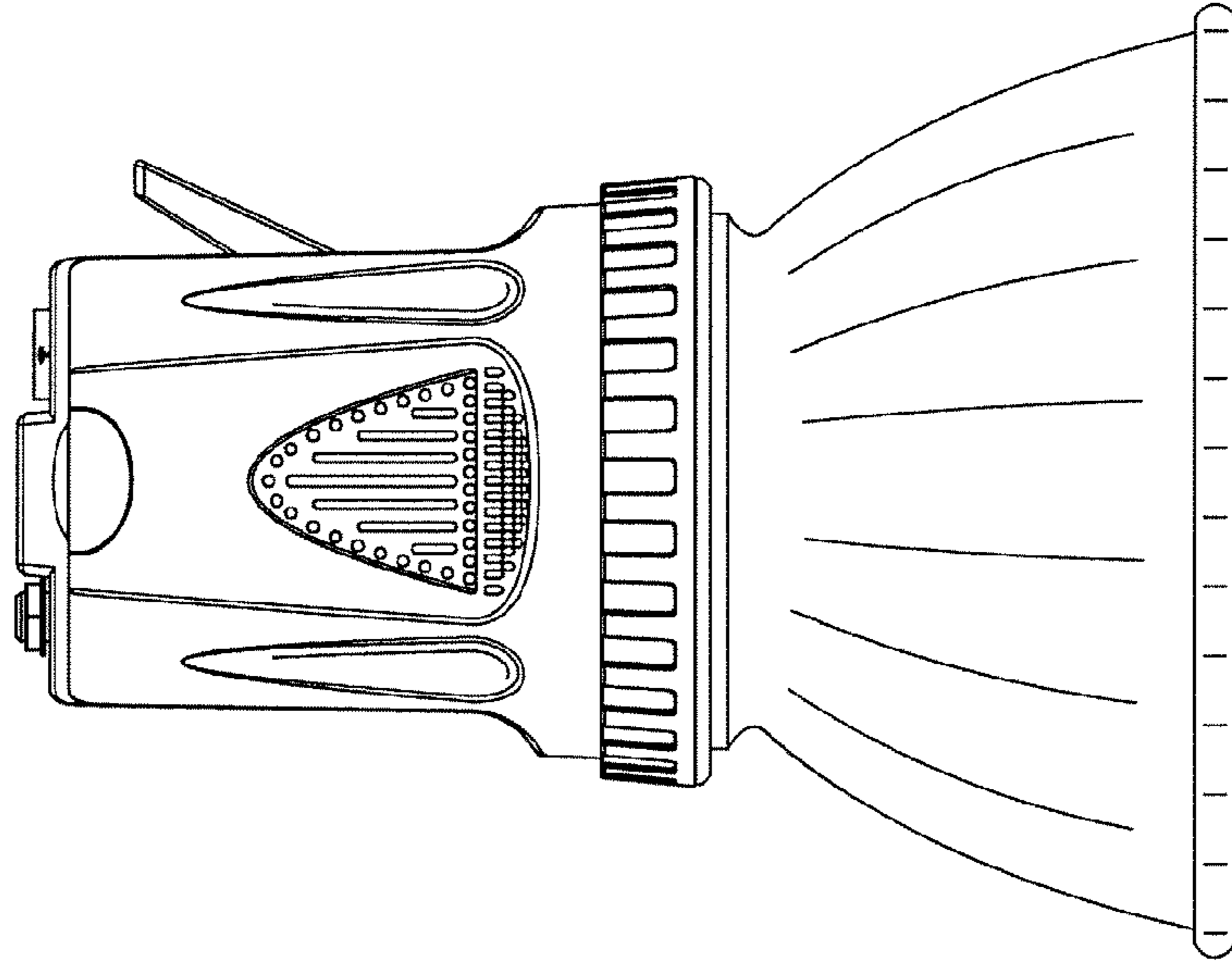


FIG. 2

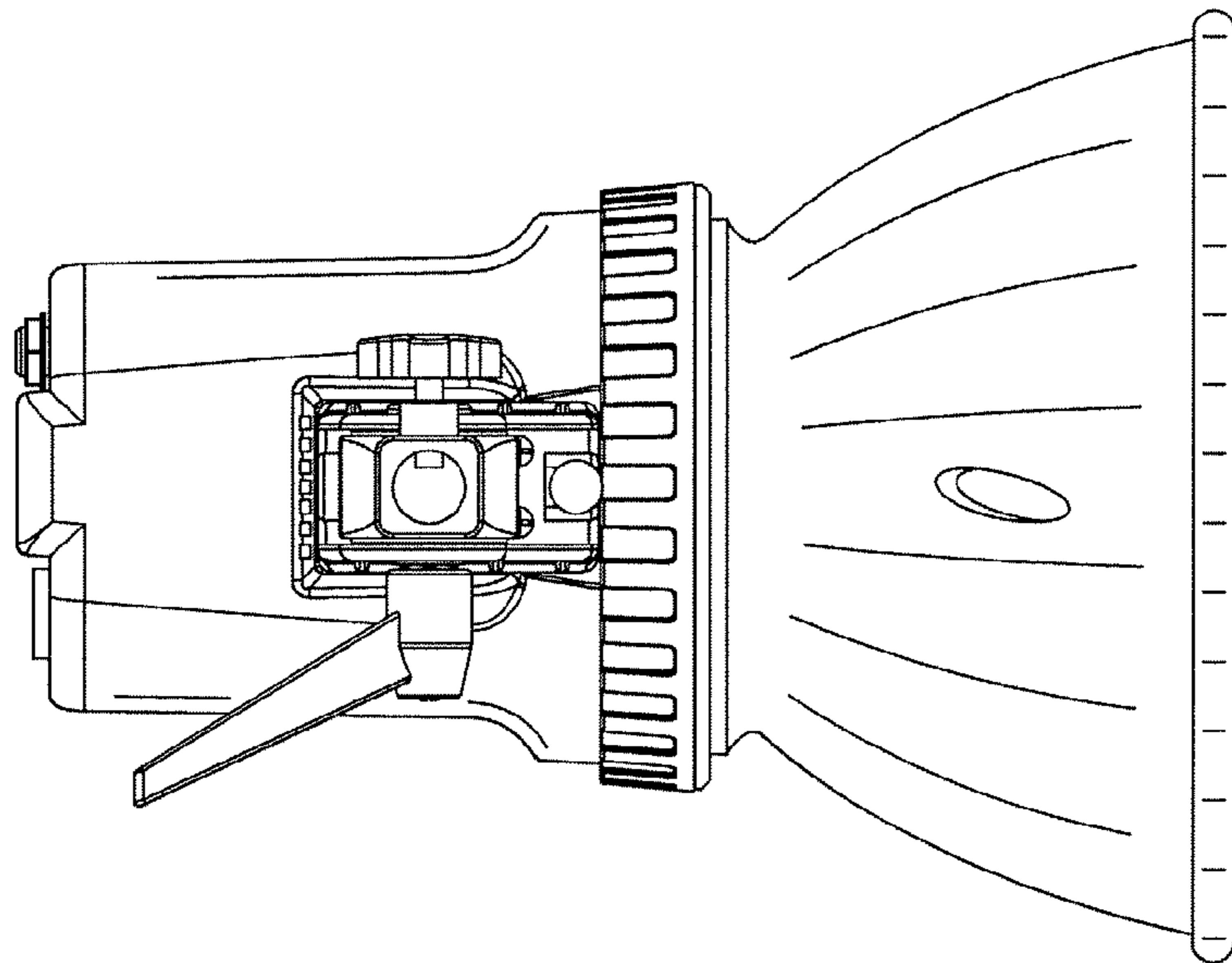


FIG. 3

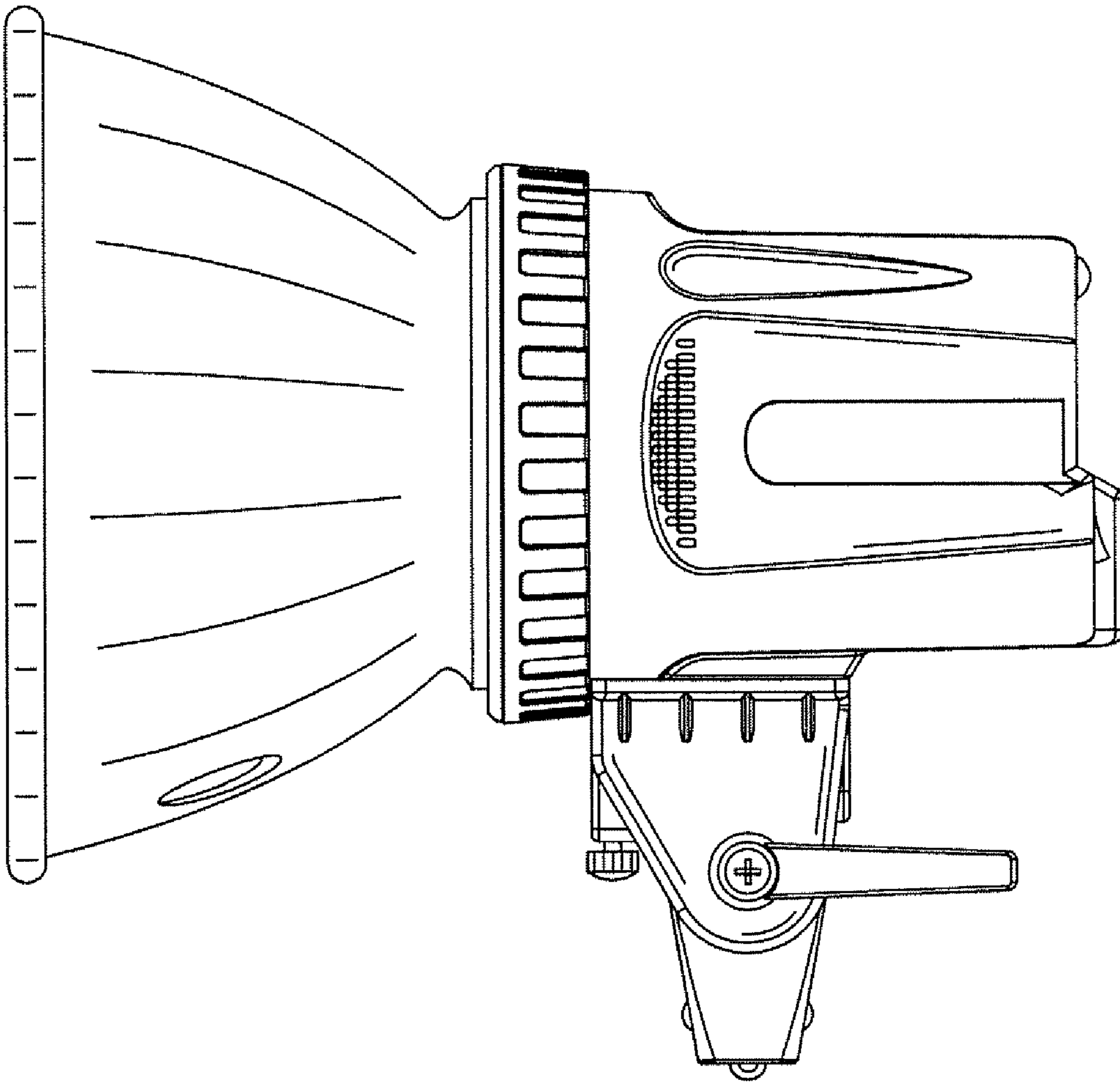


FIG. 4

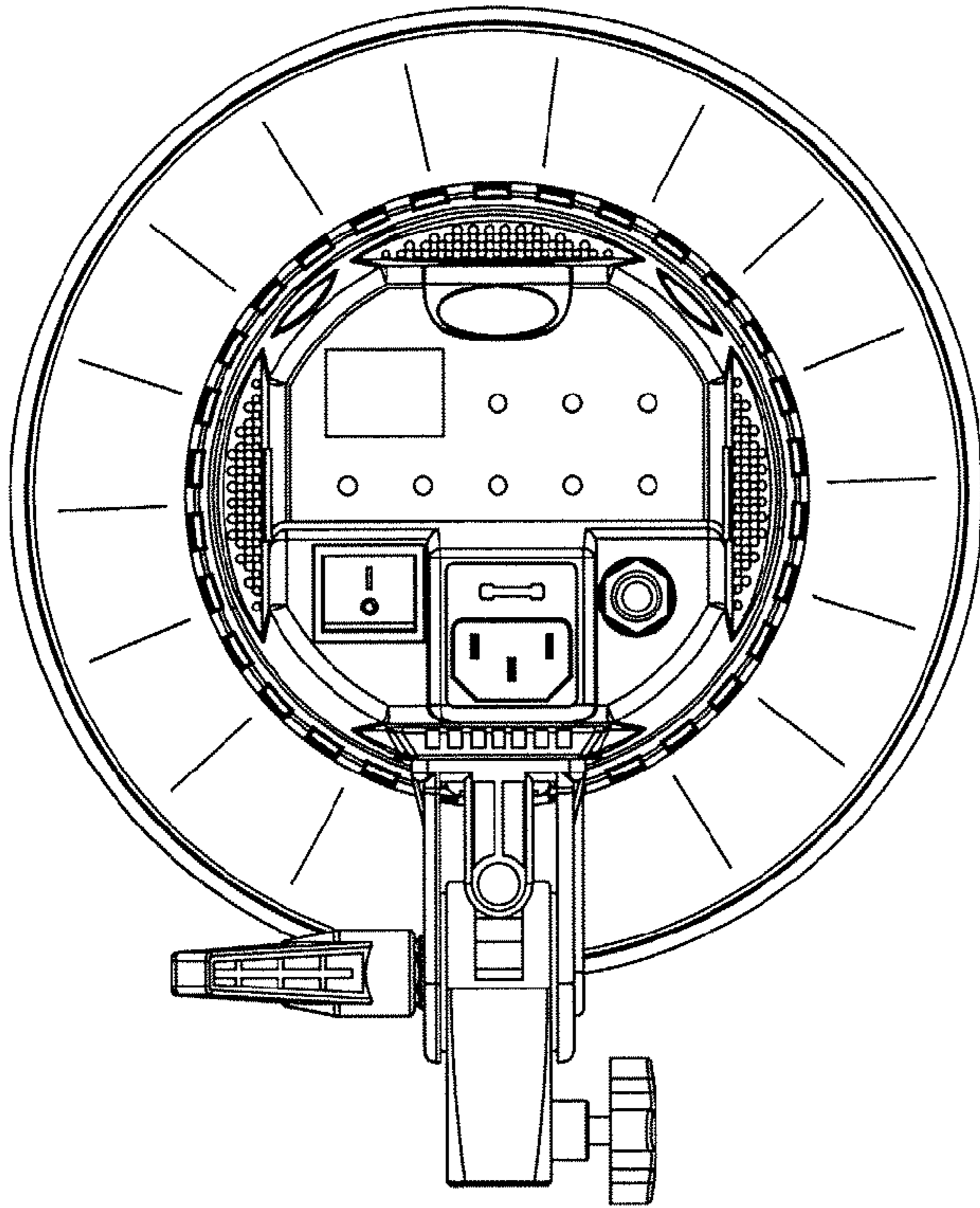


FIG. 5

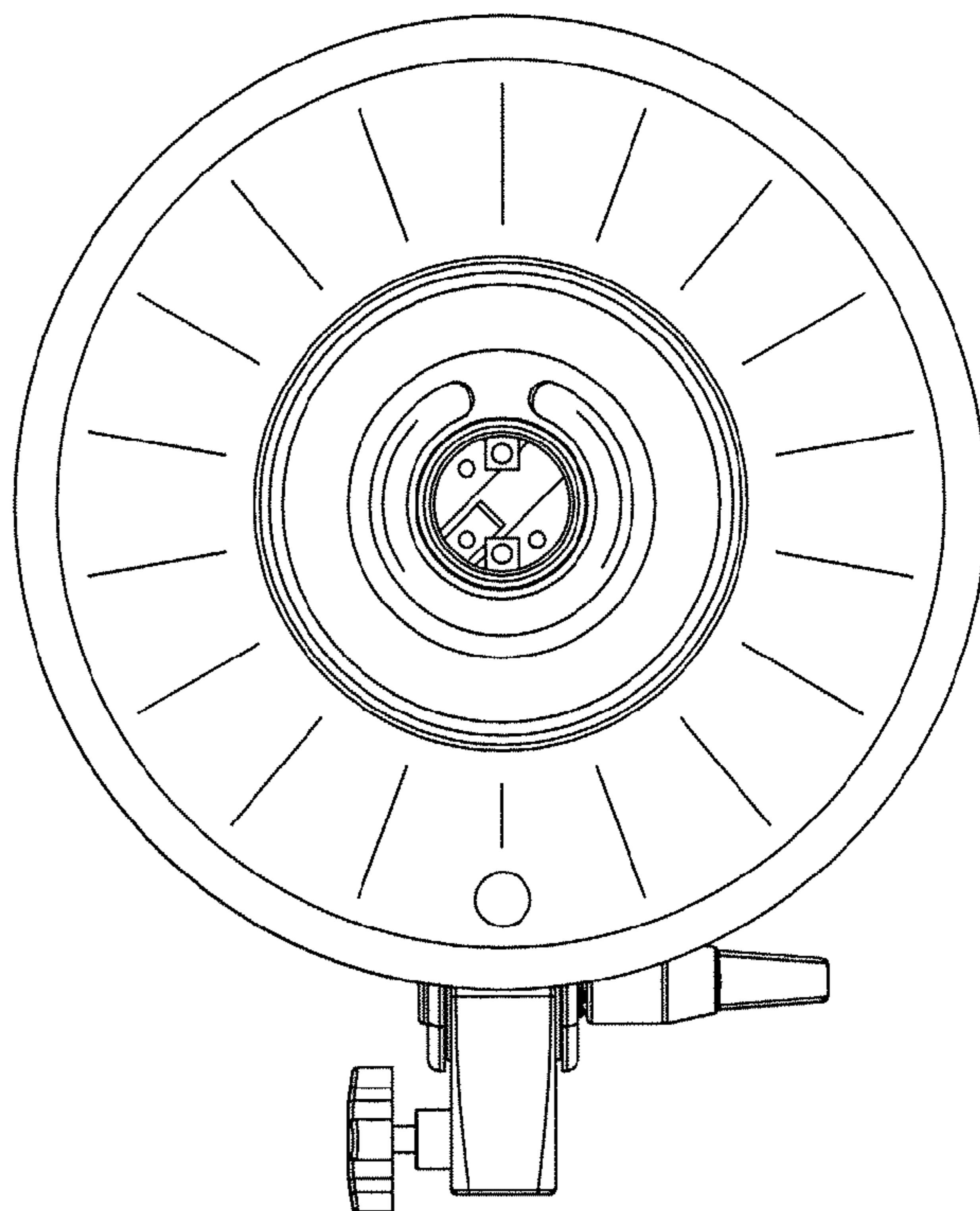


FIG. 6