



US00D547894S

(12) **United States Design Patent**  
**Hu**

(10) **Patent No.:** **US D547,894 S**

(45) **Date of Patent:** **\*\* Jul. 31, 2007**

(54) **STUDIO FLASH LIGHT**

(75) Inventor: **Fang Hu**, Fenghua (CN)

(73) Assignee: **Ningbo Jinhui Photographic Equipment Co., Ltd.** (CN)

(\*\*) Term: **14 Years**

(21) Appl. No.: **29/250,991**

(22) Filed: **Dec. 8, 2006**

(51) **LOC (8) Cl.** ..... **26-05**

(52) **U.S. Cl.** ..... **D26/63**

(58) **Field of Classification Search** ..... D26/61-66,  
D26/63; 362/269, 270, 275, 277, 278, 281,  
362/283-286, 345, 401-402, 423-427  
See application file for complete search history.

(56) **References Cited**

**U.S. PATENT DOCUMENTS**

D358,225 S \* 5/1995 Lin ..... D26/63  
D360,959 S \* 8/1995 Donato et al. .... D26/63

D438,320 S \* 2/2001 Tang ..... D26/63  
D482,476 S \* 11/2003 Kwong ..... D26/63

\* cited by examiner

*Primary Examiner*—Marcus A. Jackson

(74) *Attorney, Agent, or Firm*—Bose McKinney & Evans LLP

(57) **CLAIM**

The ornamental design for a studio flash light, as shown and described.

**DESCRIPTION**

FIG. 1 is a first side elevational view of a studio flash light of the present invention;

FIG. 2 is a top plan view thereof;

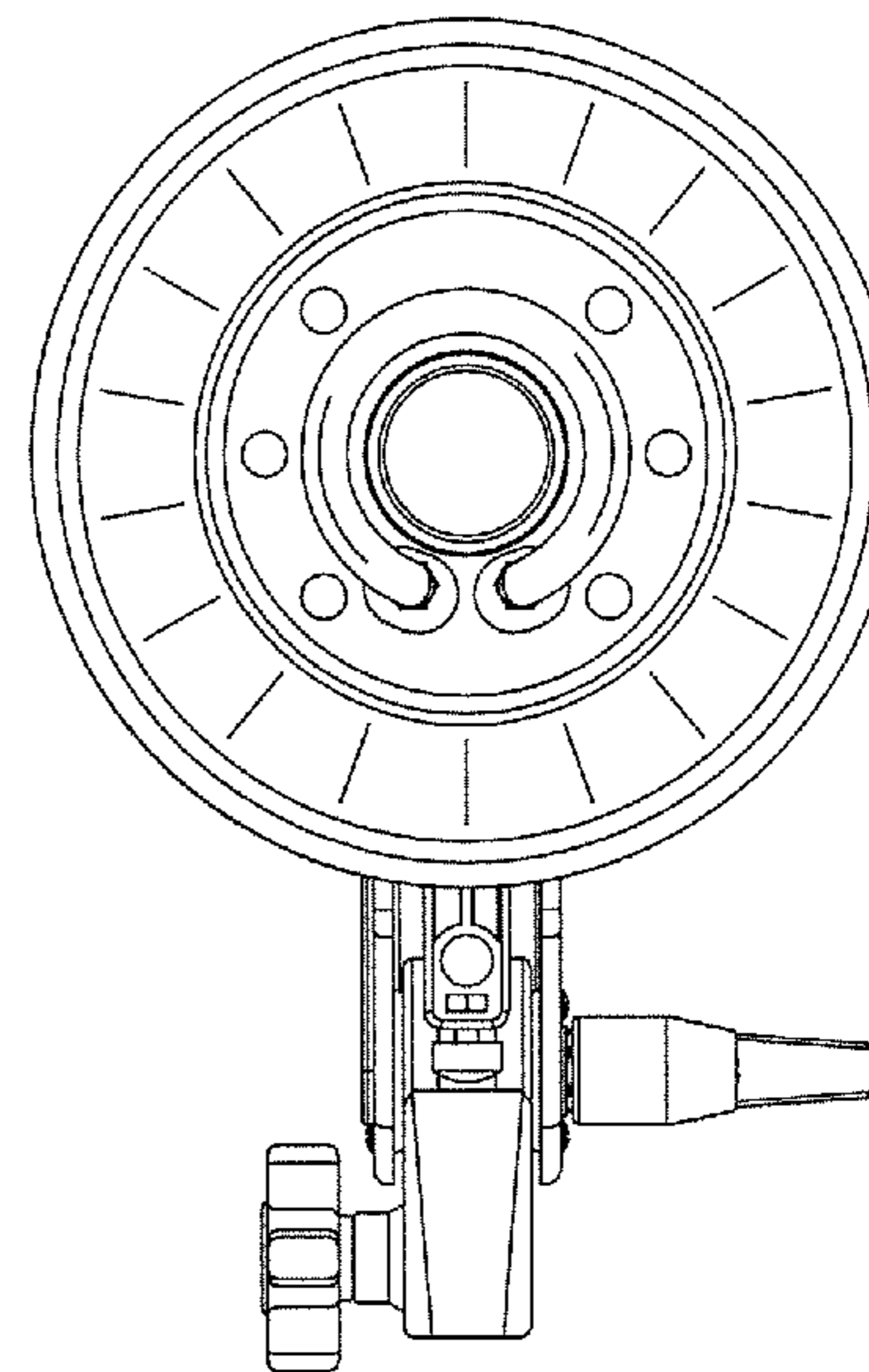
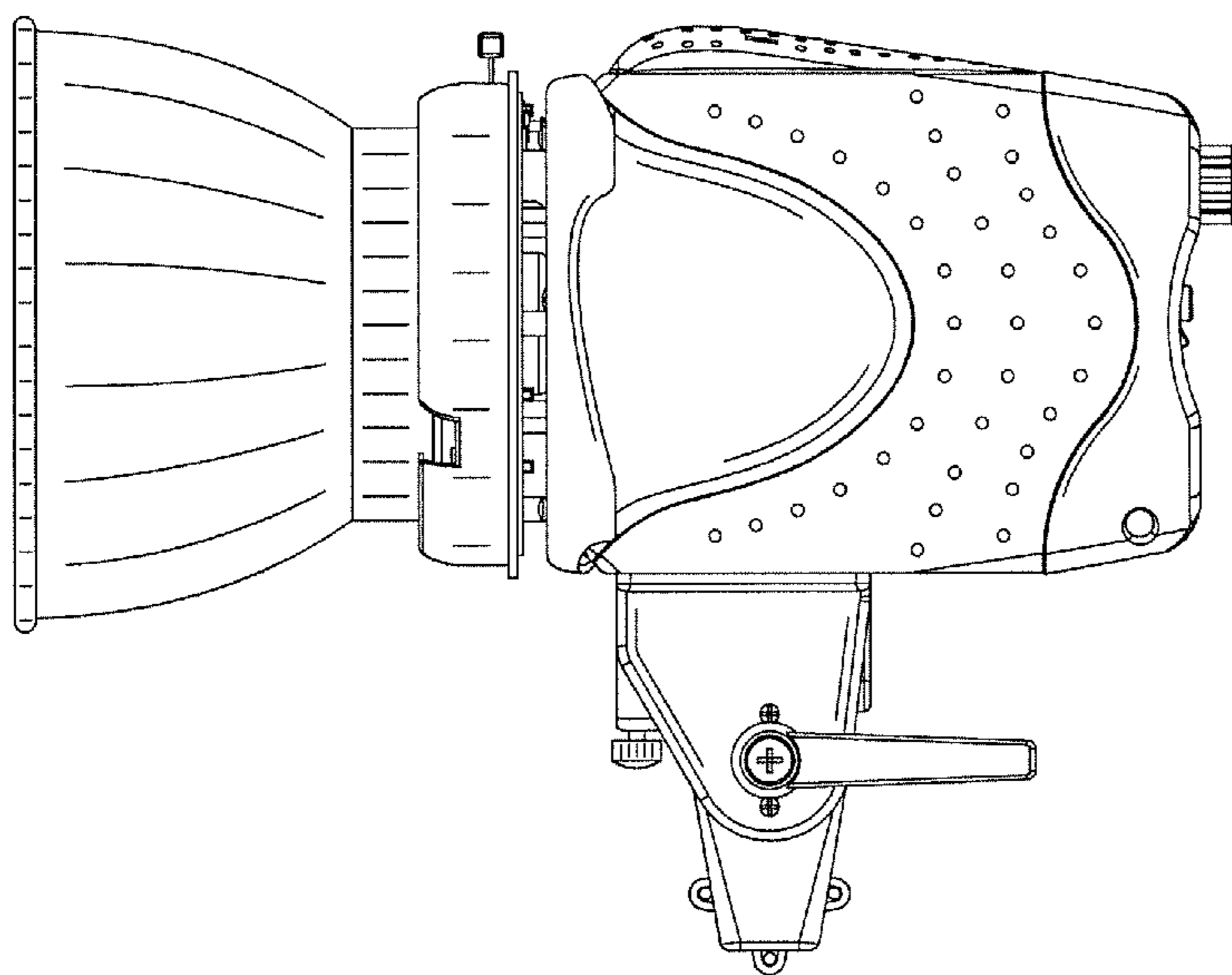
FIG. 3 is a bottom plan view thereof;

FIG. 4 is a second side elevational view thereof;

FIG. 5 is a rear elevational view thereof; and,

FIG. 6 is a front elevational view thereof.

**1 Claim, 4 Drawing Sheets**



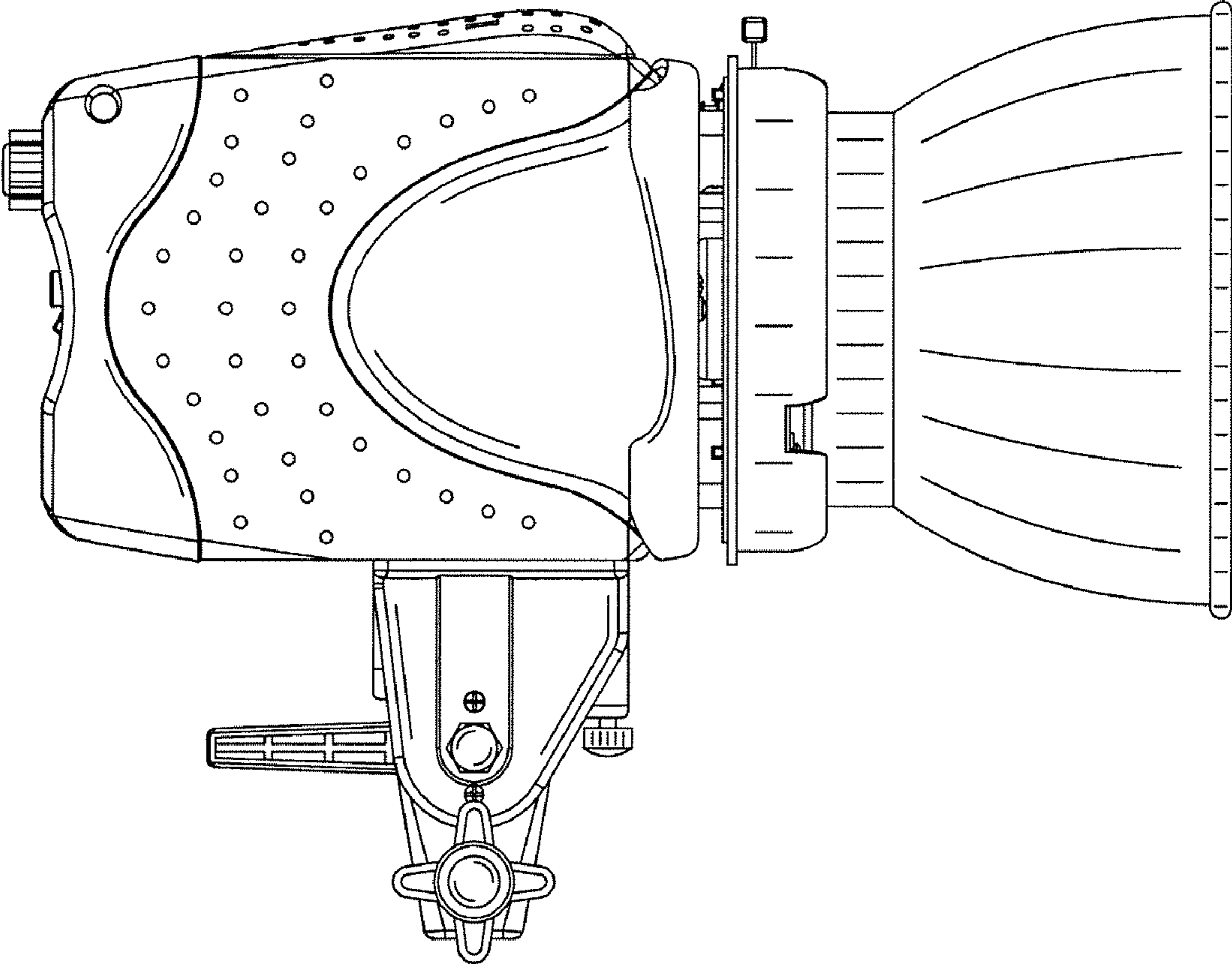


FIG. 1

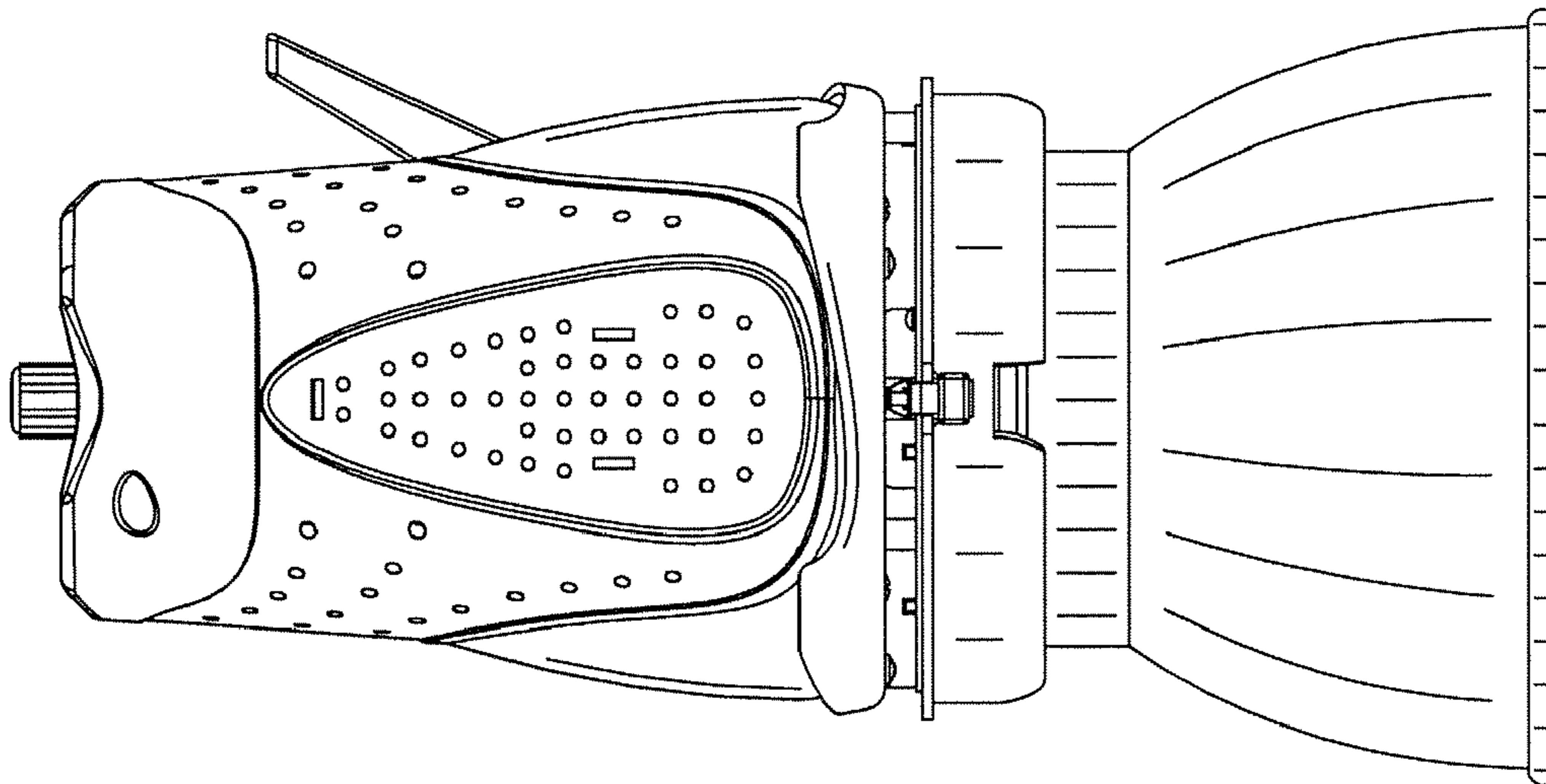


FIG. 2

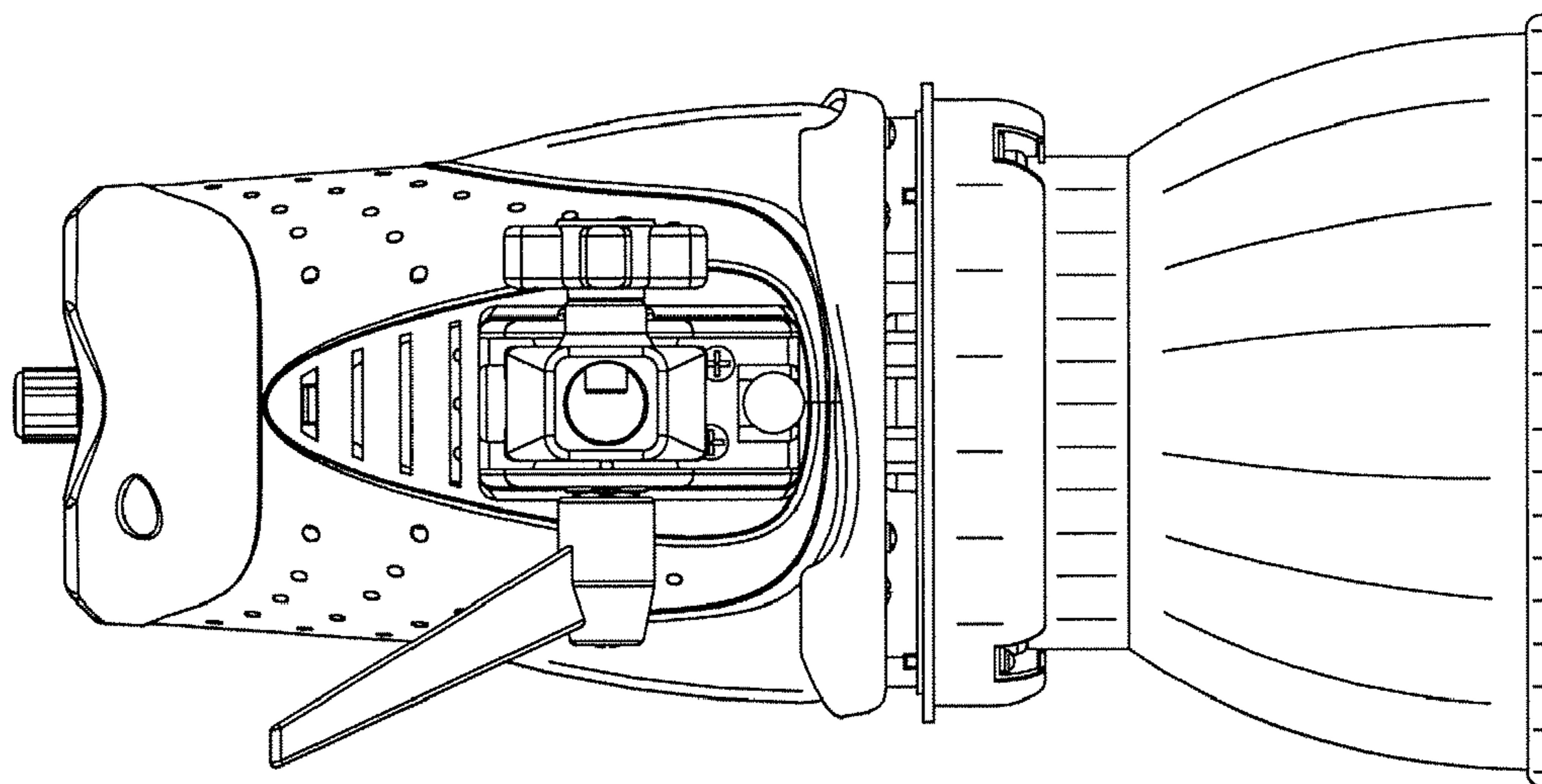


FIG. 3

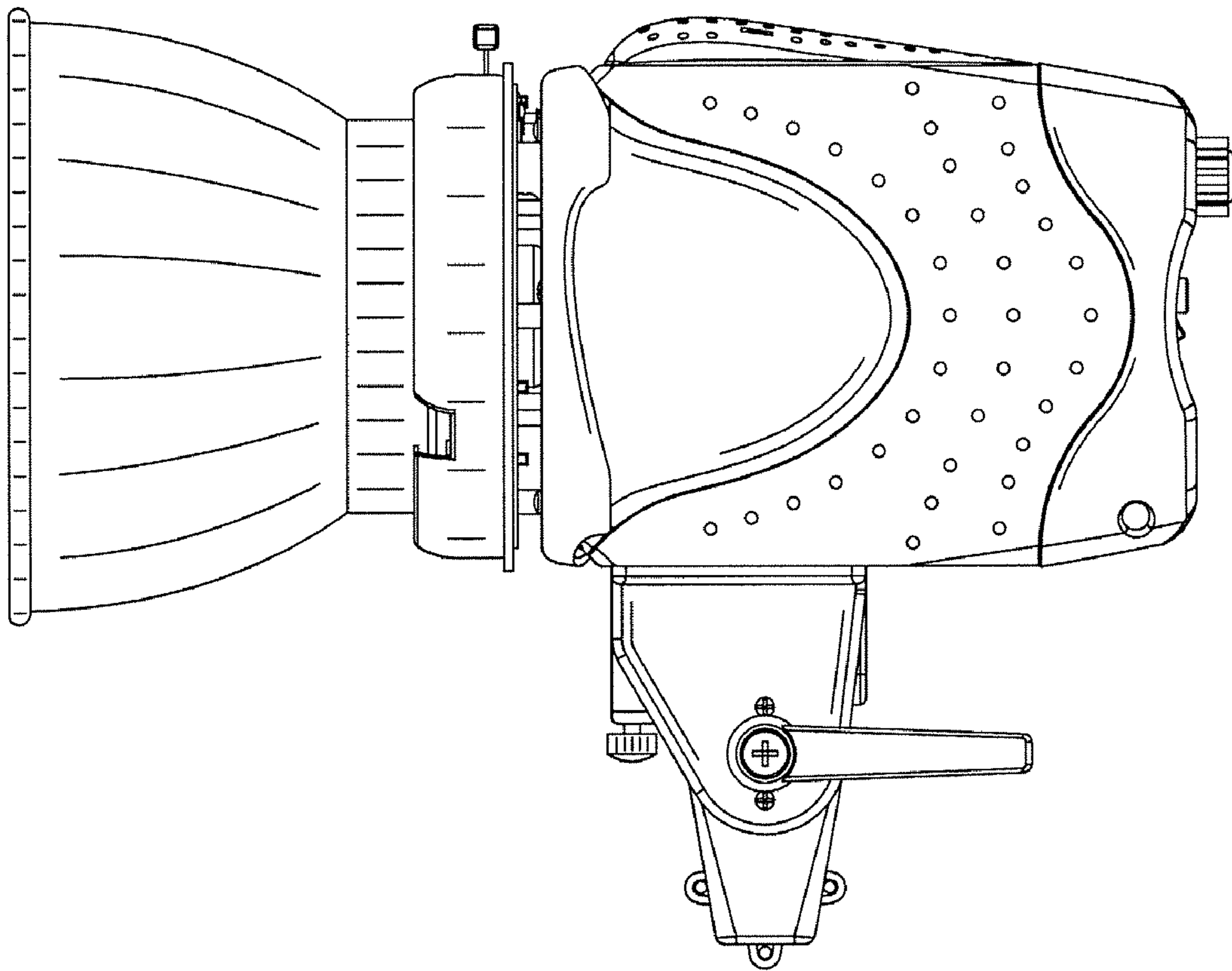


FIG. 4



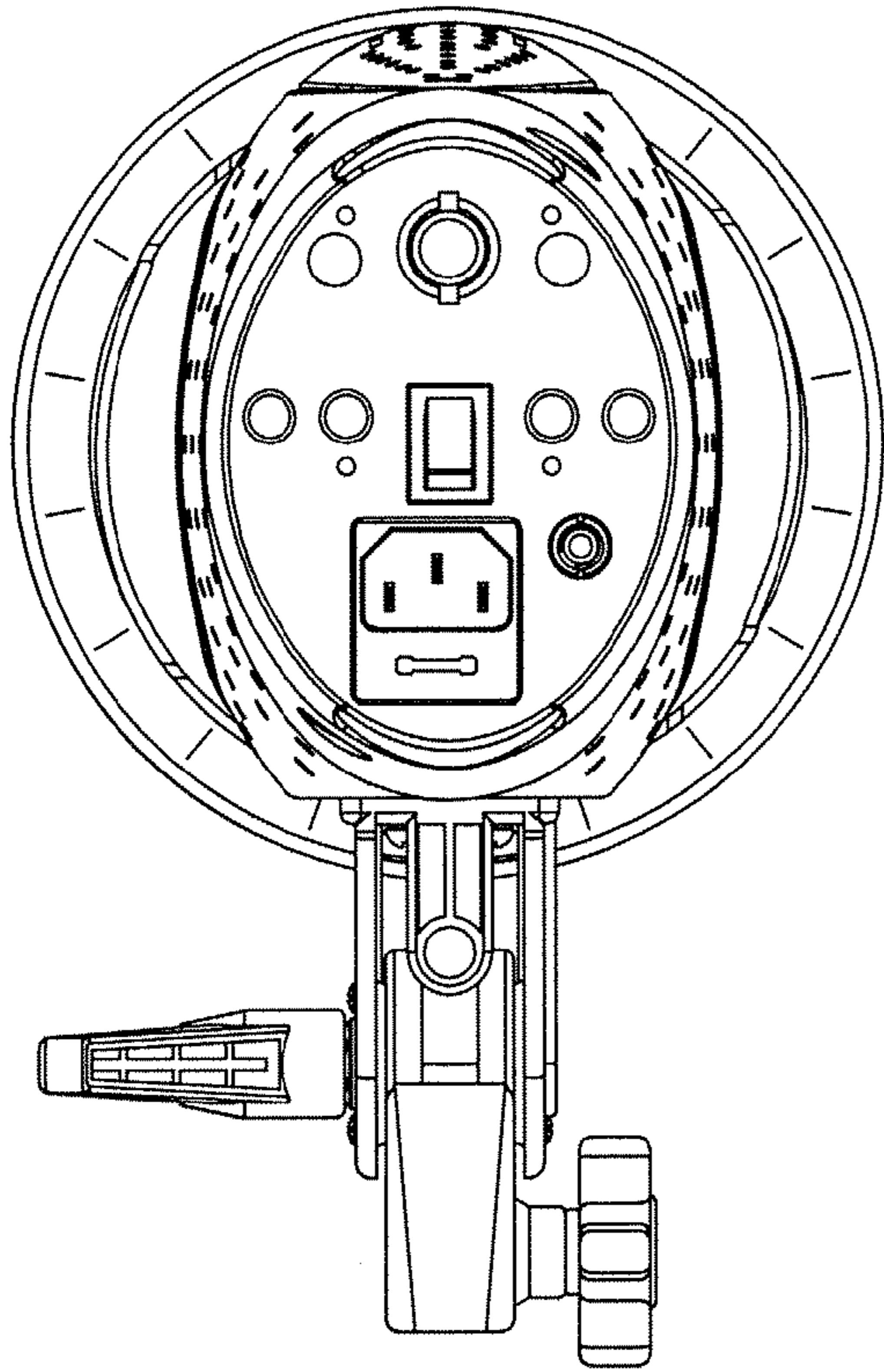


FIG. 5

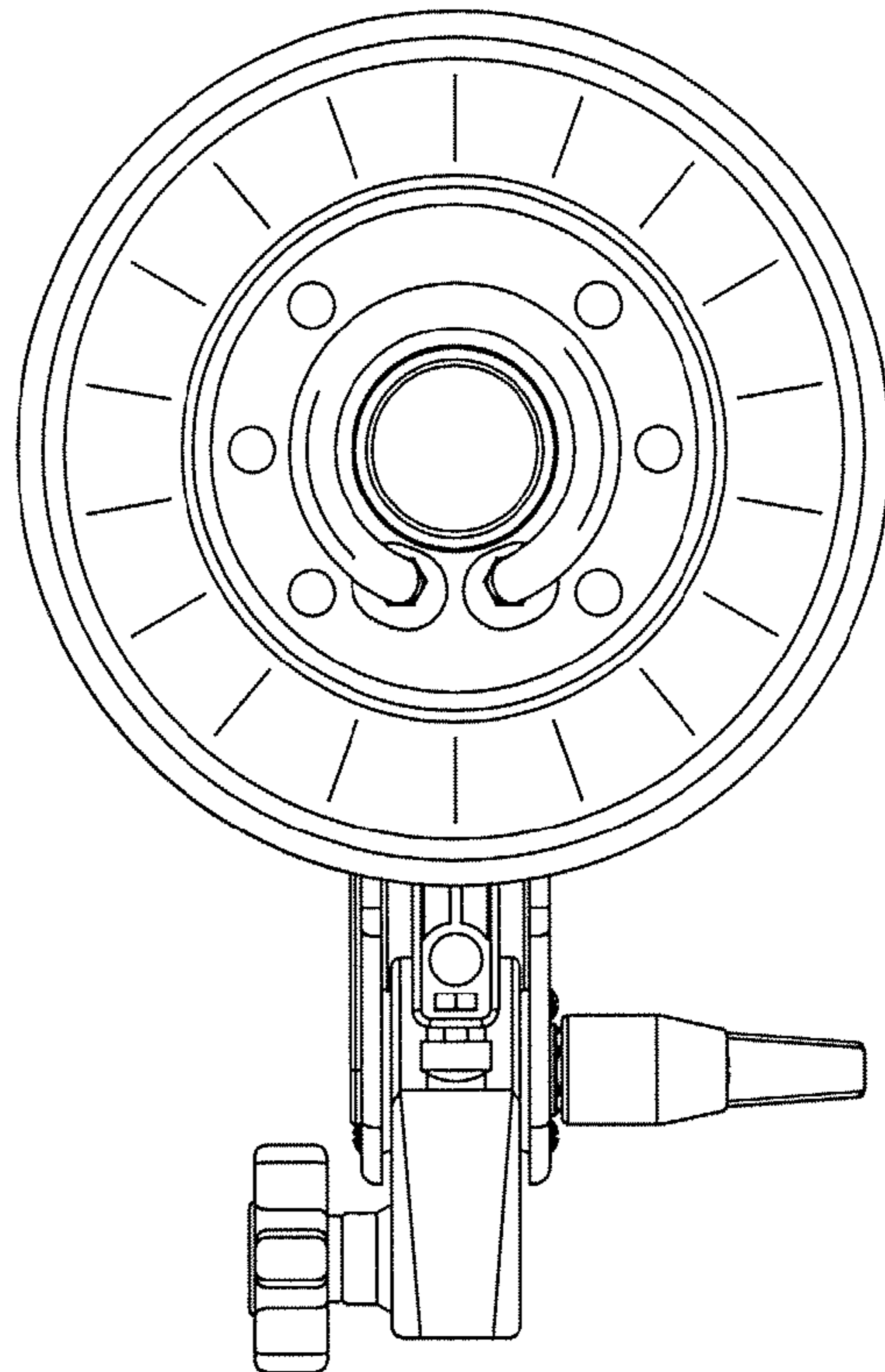


FIG. 6