



US00D547892S

(12) **United States Design Patent**
Miyamoto et al.

(10) **Patent No.:** **US D547,892 S**

(45) **Date of Patent:** **** Jul. 31, 2007**

(54) **PORTABLE LIGHTING DEVICE**

(75) Inventors: **Jyunji Miyamoto**, Fukuyama (JP);
Tetsushi Makino, Kasaoka (JP)

(73) Assignee: **Koshin Electric Corporation**, Kasaoka
(JP)

(**) Term: **14 Years**

(21) Appl. No.: **29/232,023**

(22) Filed: **Jun. 15, 2005**

(51) **LOC (8) Cl.** **26-02**

(52) **U.S. Cl.** **D26/44; D26/39; D26/60**

(58) **Field of Classification Search** D26/44,
D26/51, 60, 61; 362/157, 184, 227, 240,
362/245-248, 555, 396, 473-477; 43/17.5,
43/1, 113

See application file for complete search history.

(56) **References Cited**

U.S. PATENT DOCUMENTS

D298,058 S *	10/1988	Hosick	D26/44
D328,144 S *	7/1992	Yuen	D26/44
5,448,459 A *	9/1995	Rogers	362/191
D363,565 S *	10/1995	Sugiura et al.	D26/60
D412,589 S *	8/1999	Burns	D26/44
D496,483 S *	9/2004	Christianson	D26/60
D522,678 S *	6/2006	Wang	D26/60
D526,079 S *	8/2006	Heun	D26/60
D528,678 S *	9/2006	Yen	D26/28

* cited by examiner

Primary Examiner—Ian Simmons

Assistant Examiner—Carissa Fitts

(74) *Attorney, Agent, or Firm*—Merek, Blackmon &
Voorhees, LLC

(57) **CLAIM**

The ornamental design for a portable lighting device, as shown and described.

DESCRIPTION

FIG. 1 is a perspective view taken from the front, top and right side of a portable lighting device showing our new design;

FIG. 2 is a front elevational view thereof;

FIG. 3 is a right side elevational view thereof;

FIG. 4 is a left side elevational view thereof;

FIG. 5 is a rear elevational view thereof;

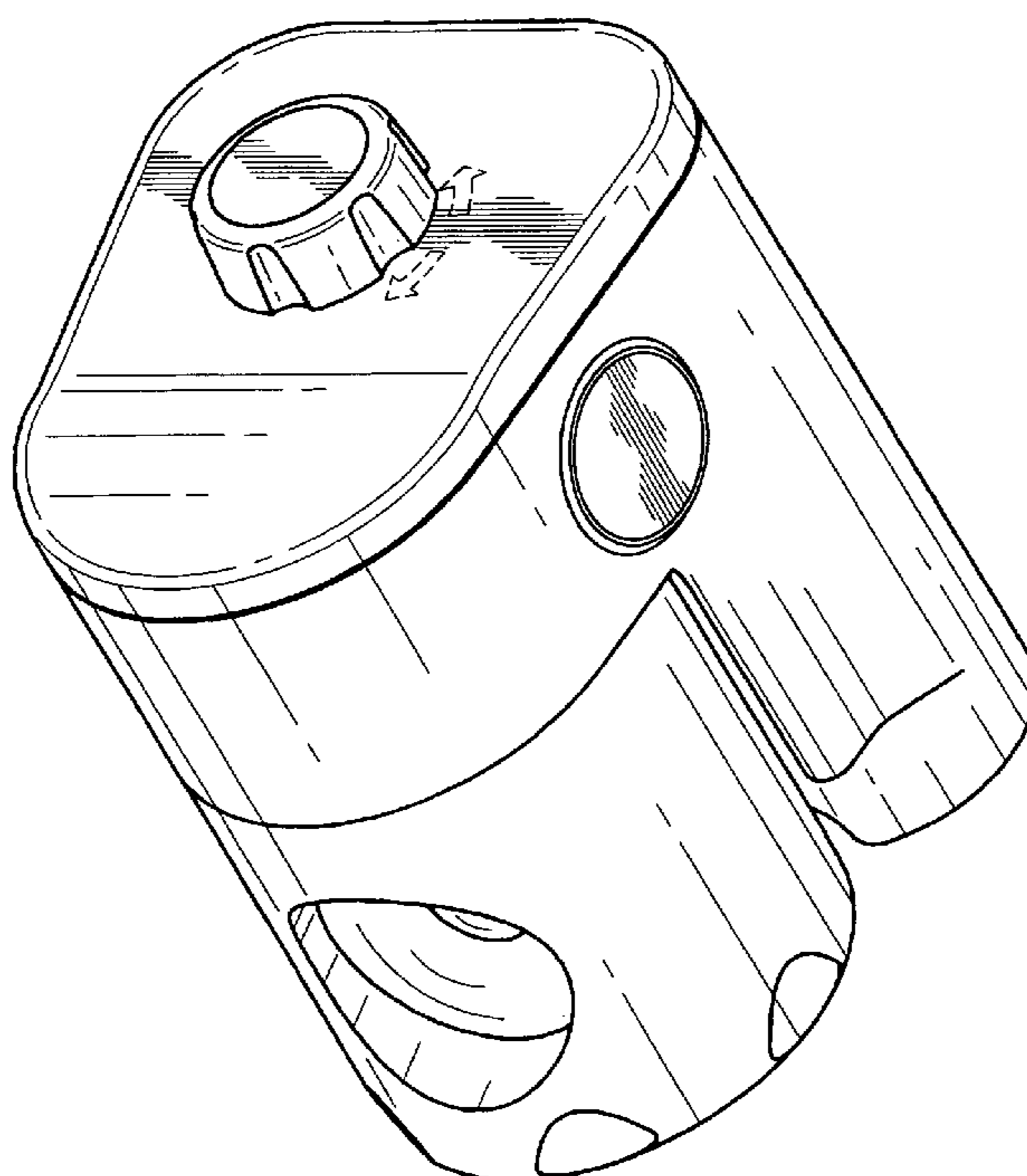
FIG. 6 is a top plan view thereof;

FIG. 7 is a bottom plan view thereof; and,

FIG. 8 is a perspective view thereof taken from the rear, top and right side thereof.

The broken line showing of the clip detail and directional arrows are for illustrative purposes only and form no part of the claimed design invention.

1 Claim, 8 Drawing Sheets



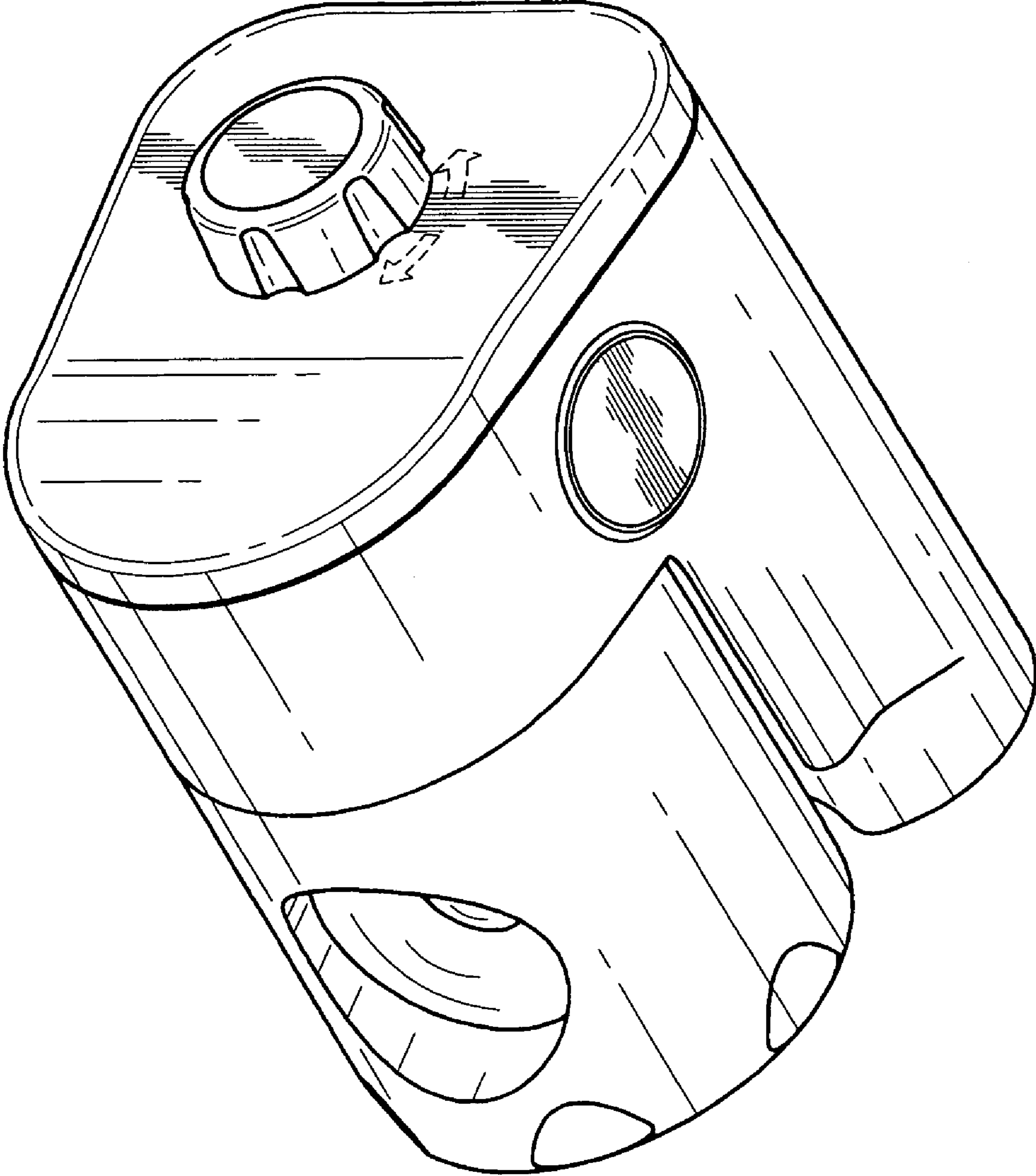


FIG. 1

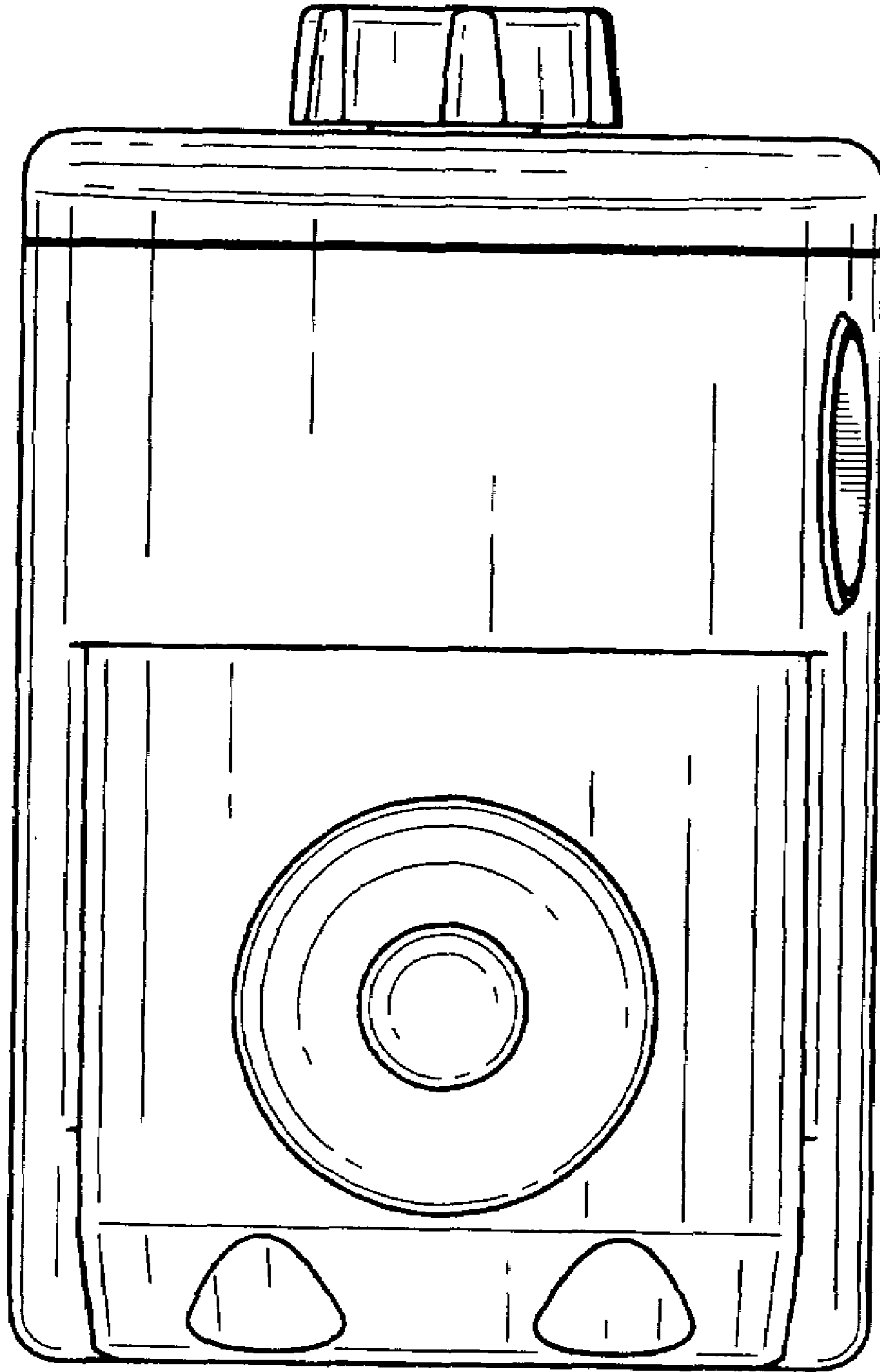


FIG. 2

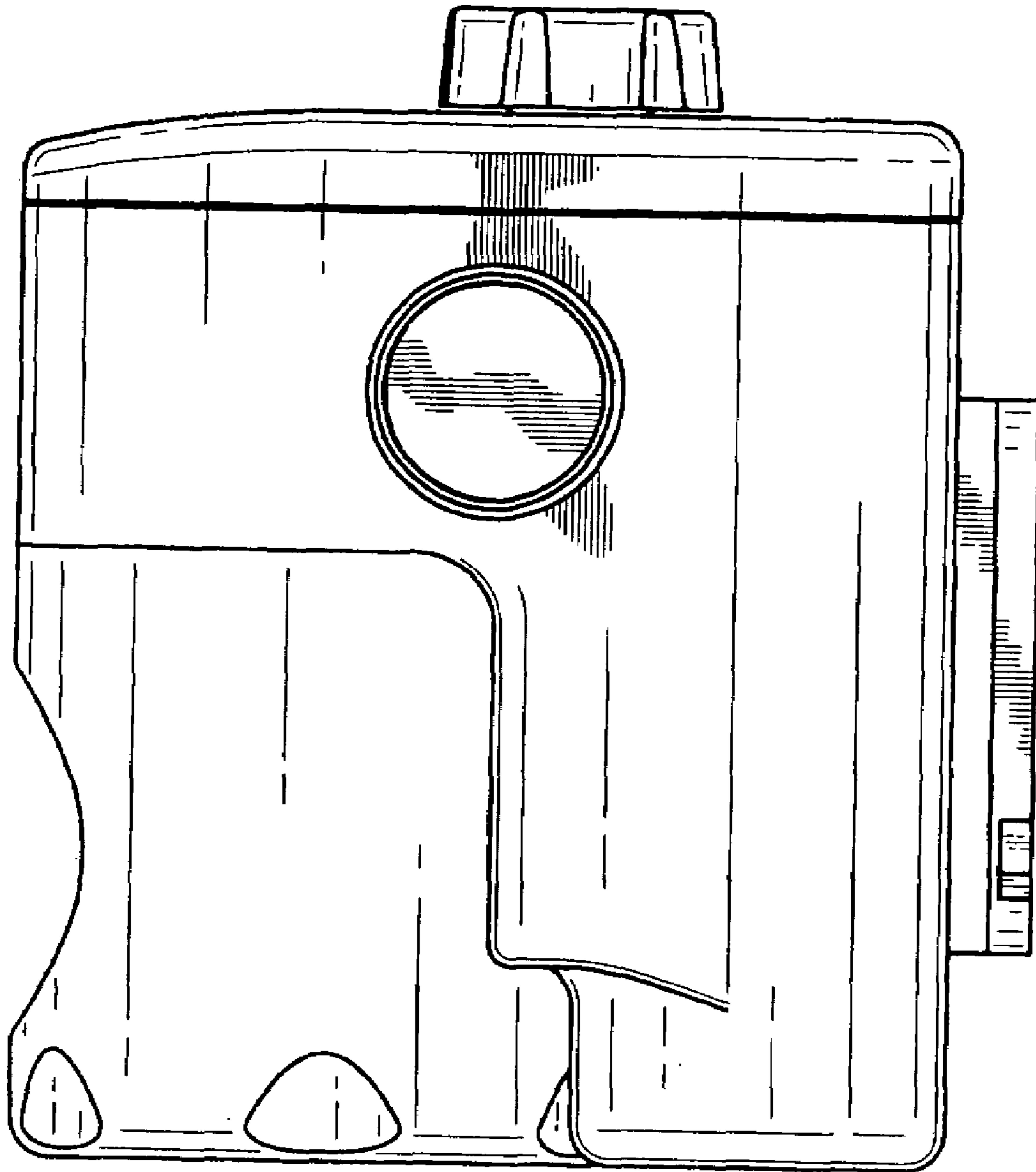


FIG. 3

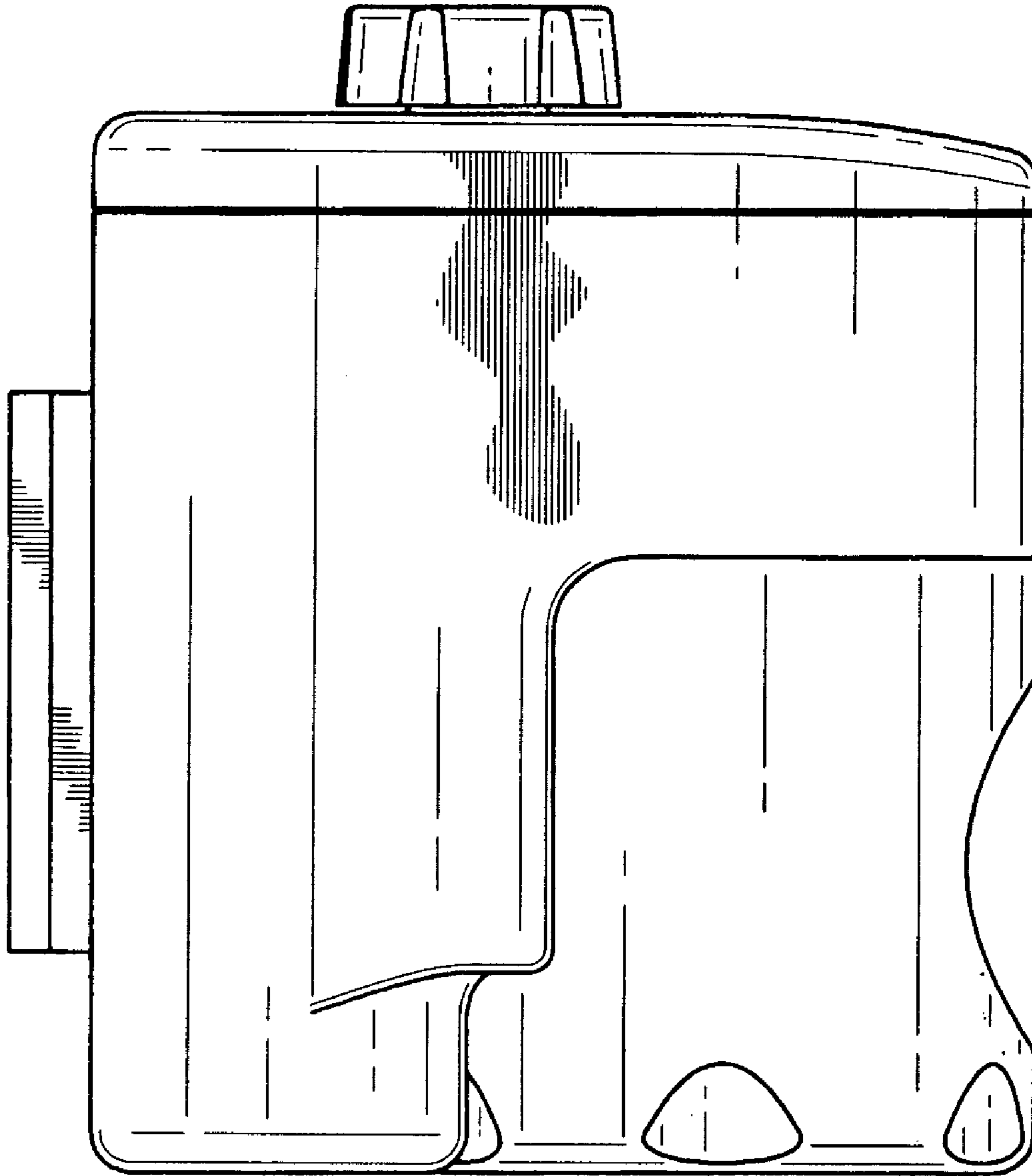


FIG. 4

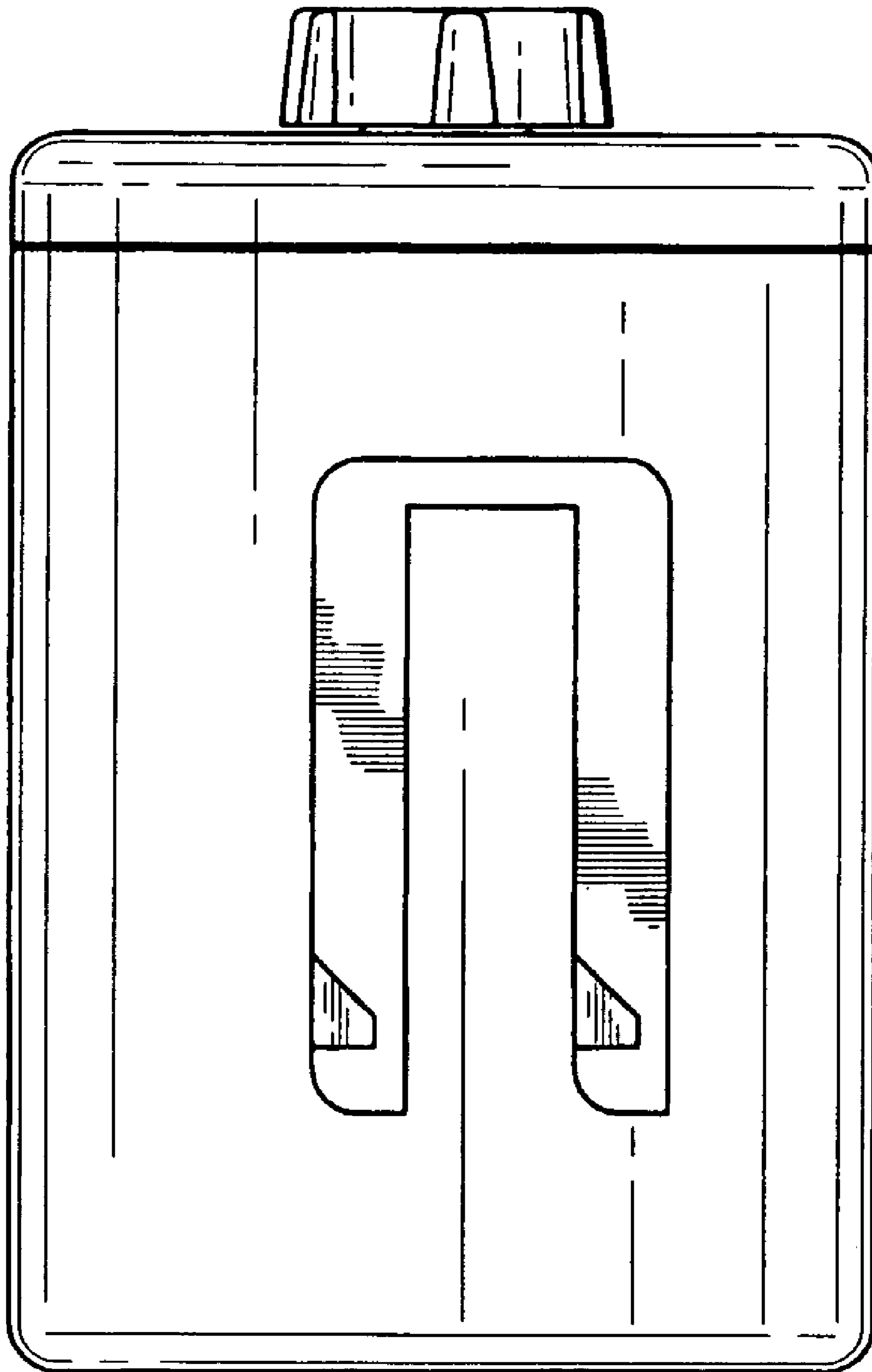


FIG. 5

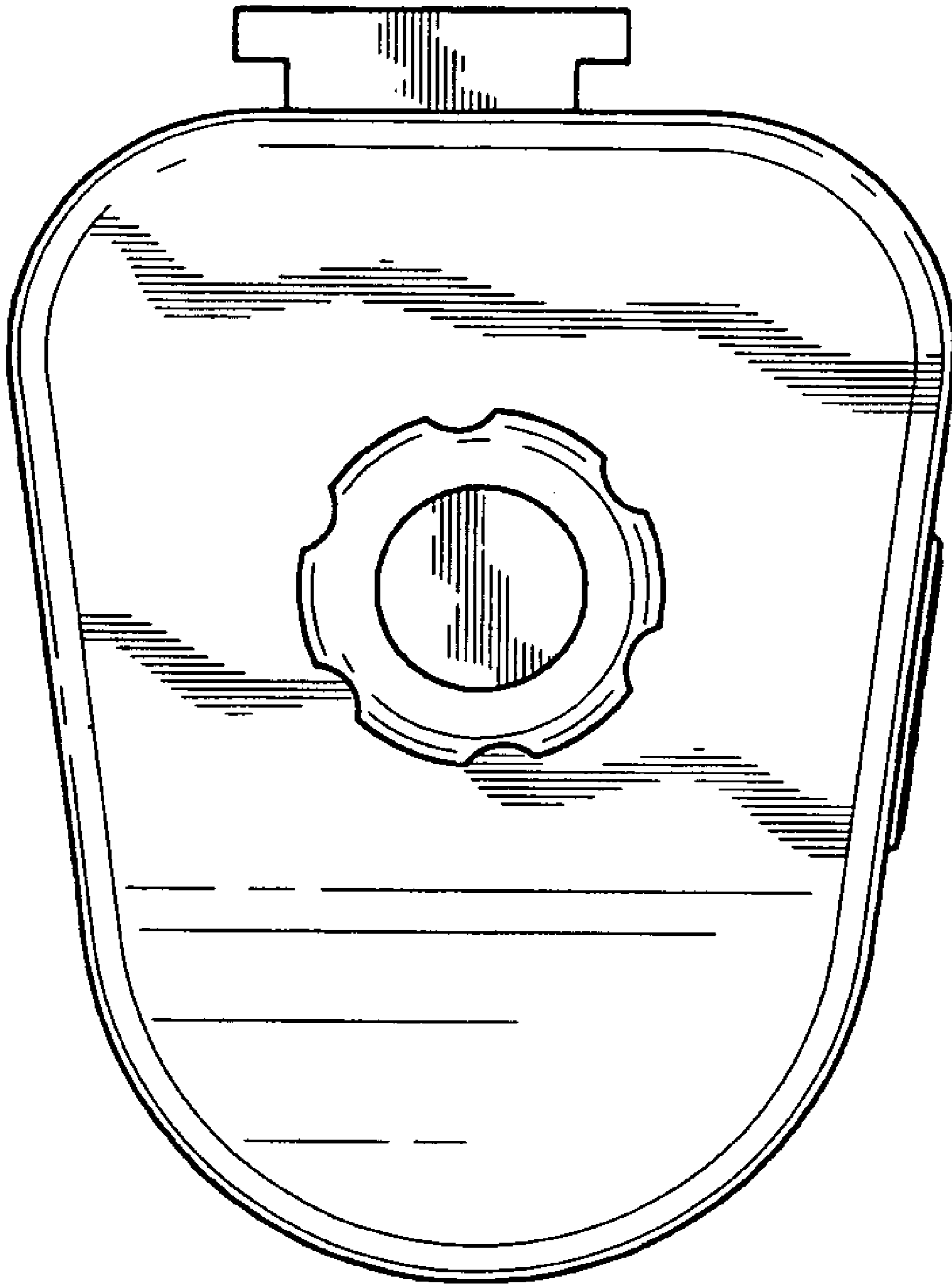


FIG. 6

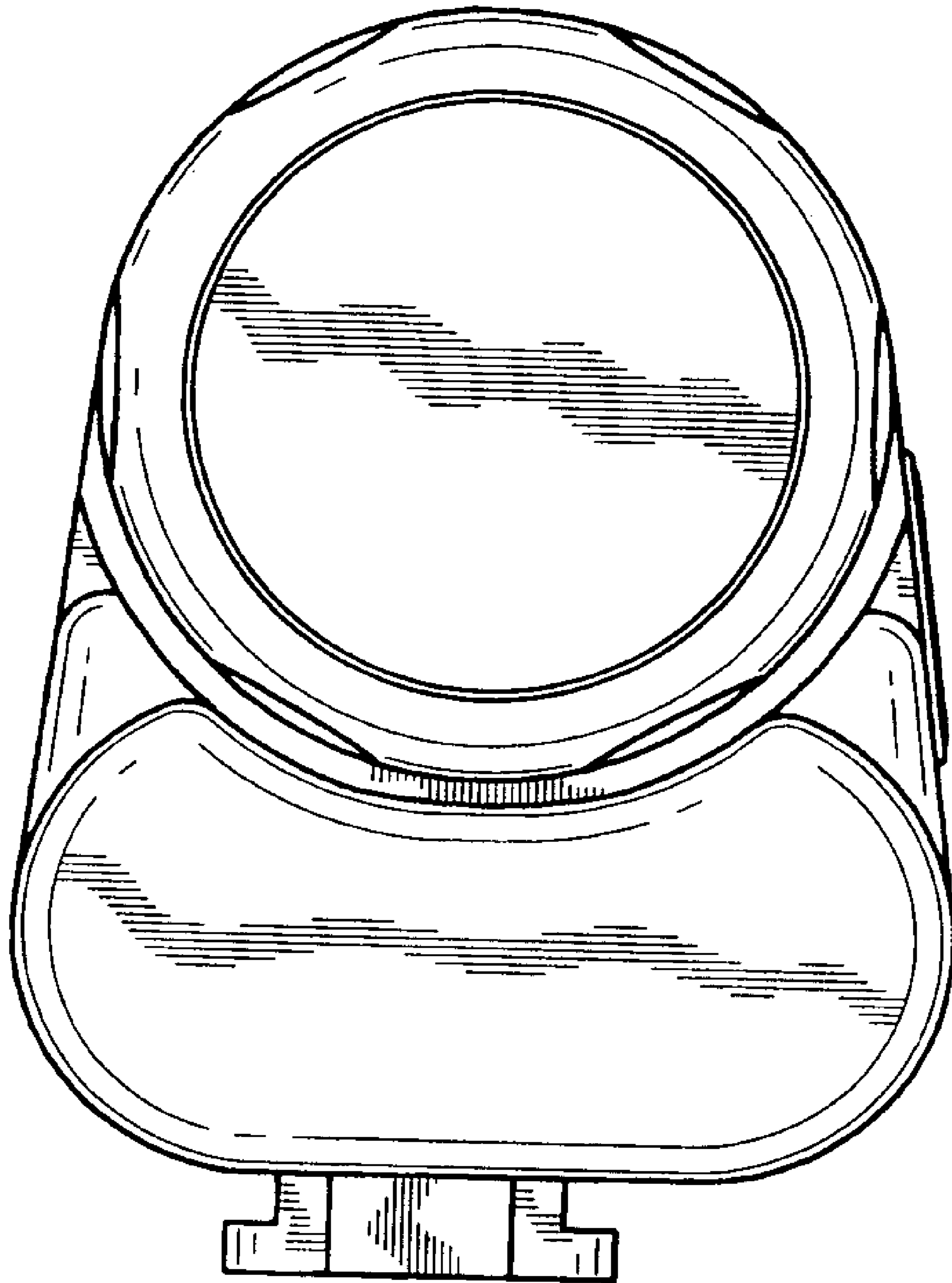


FIG. 7

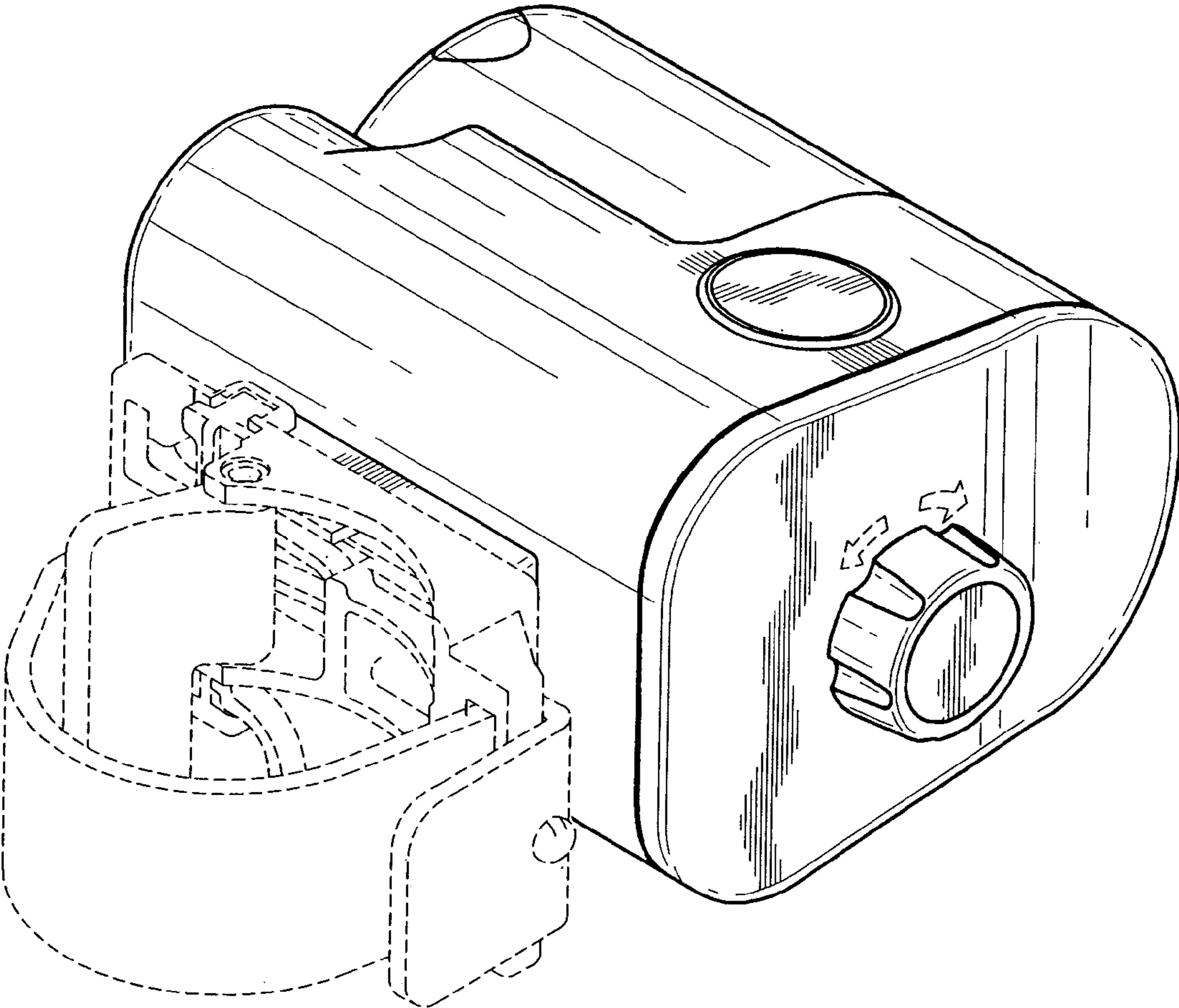


FIG. 8