

US00D547891S

(12) **United States Design Patent**
Shiu

(10) **Patent No.:** **US D547,891 S**

(45) **Date of Patent:** **** Jul. 31, 2007**

(54) **LANTERN**

(75) Inventor: **Stephanie Wai Man Shiu**, Kowloon (HK)

(73) Assignee: **Gold Coral International Limited**, San Po Kong, Kowloon (HK)

(**) Term: **14 Years**

(21) Appl. No.: **29/249,718**

(22) Filed: **Oct. 18, 2006**

(30) **Foreign Application Priority Data**

May 4, 2006 (HK) 0601208.8M001

(51) **LOC (8) Cl.** **26-02**

(52) **U.S. Cl.** **D26/40**

(58) **Field of Classification Search** D26/37-50;
362/157, 158, 171-174, 183-208
See application file for complete search history.

(56) **References Cited**

U.S. PATENT DOCUMENTS

D433,762 S * 11/2000 Yuen D26/40

D434,163 S * 11/2000 Lee D26/40

D468,039 S * 12/2002 Poon D26/40

D474,553 S * 5/2003 Poon D26/40

D483,892 S * 12/2003 Poon D26/40

D486,598 S * 2/2004 Lo D26/40

D535,419 S * 1/2007 Shiu D26/40

* cited by examiner

Primary Examiner—Marcus A. Jackson

(74) *Attorney, Agent, or Firm*—Joseph G. Swan, PC

(57) **CLAIM**

The ornamental design for a lantern, as shown and described.

DESCRIPTION

FIG. 1 is a top plan view of a lantern according to the present invention.

FIG. 2 is a right side elevational view of the lantern.

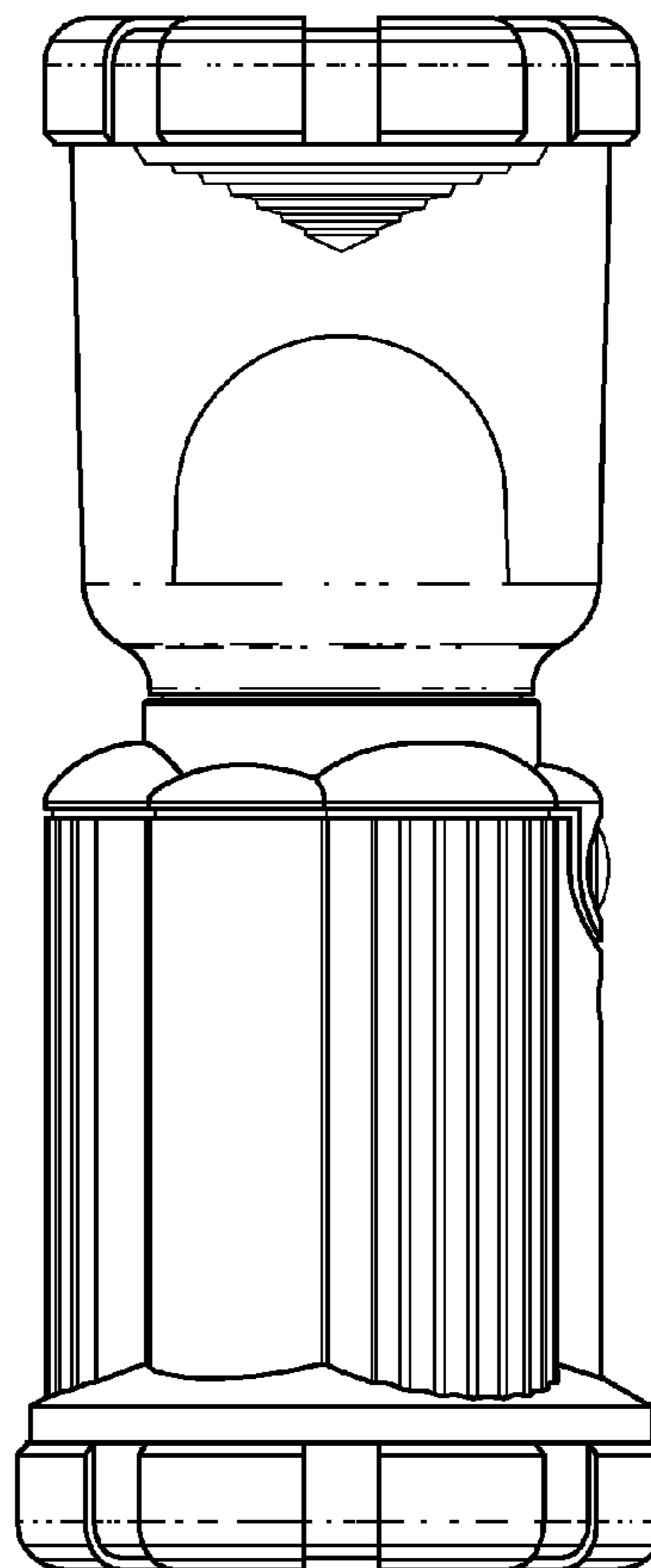
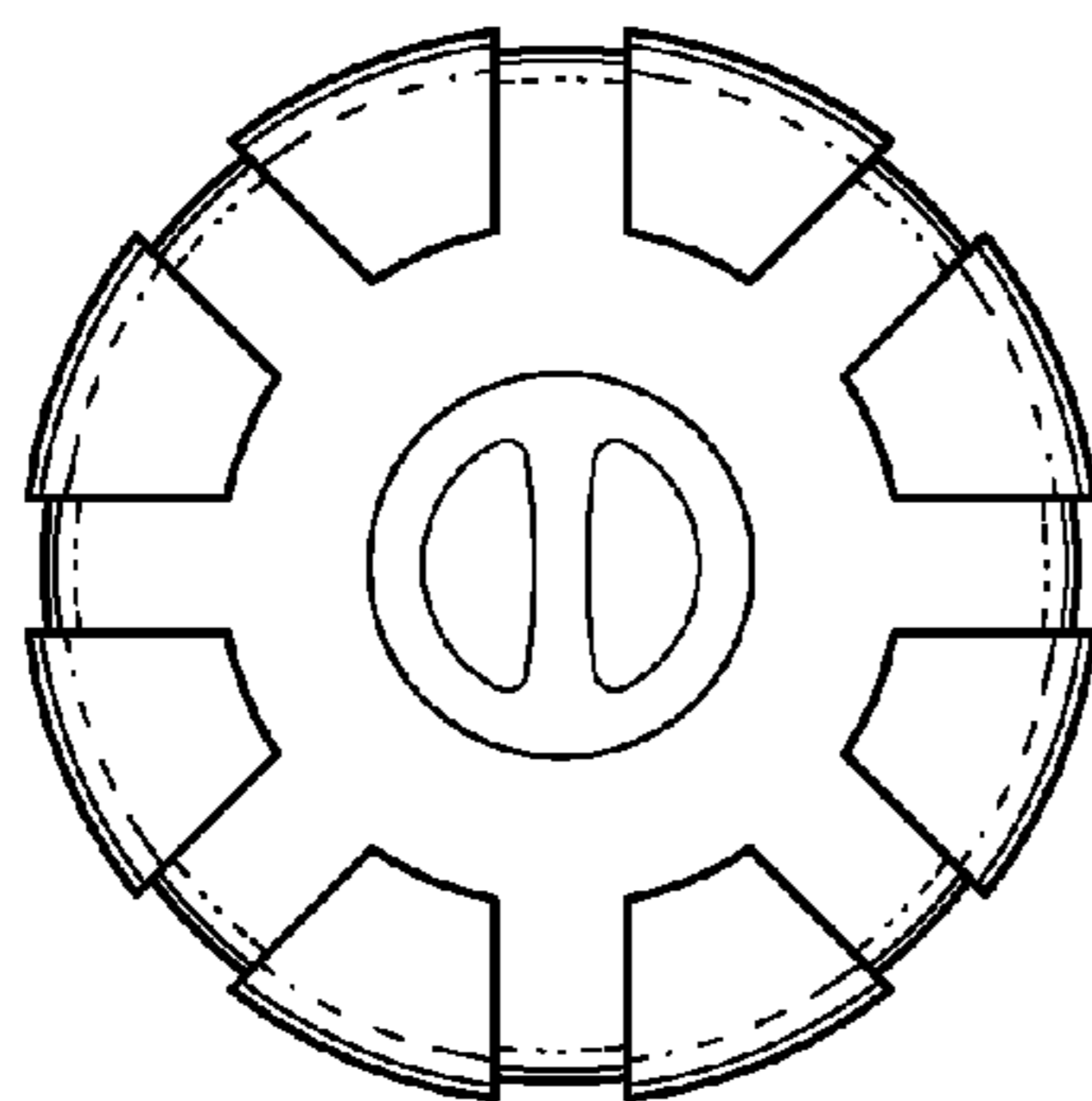
FIG. 3 is a front elevational view of the lantern.

FIG. 4 is a bottom plan view of the lantern.

FIG. 5 is a left side elevational view of the lantern; and,

FIG. 6 is a rear elevational view of the lantern.

1 Claim, 2 Drawing Sheets



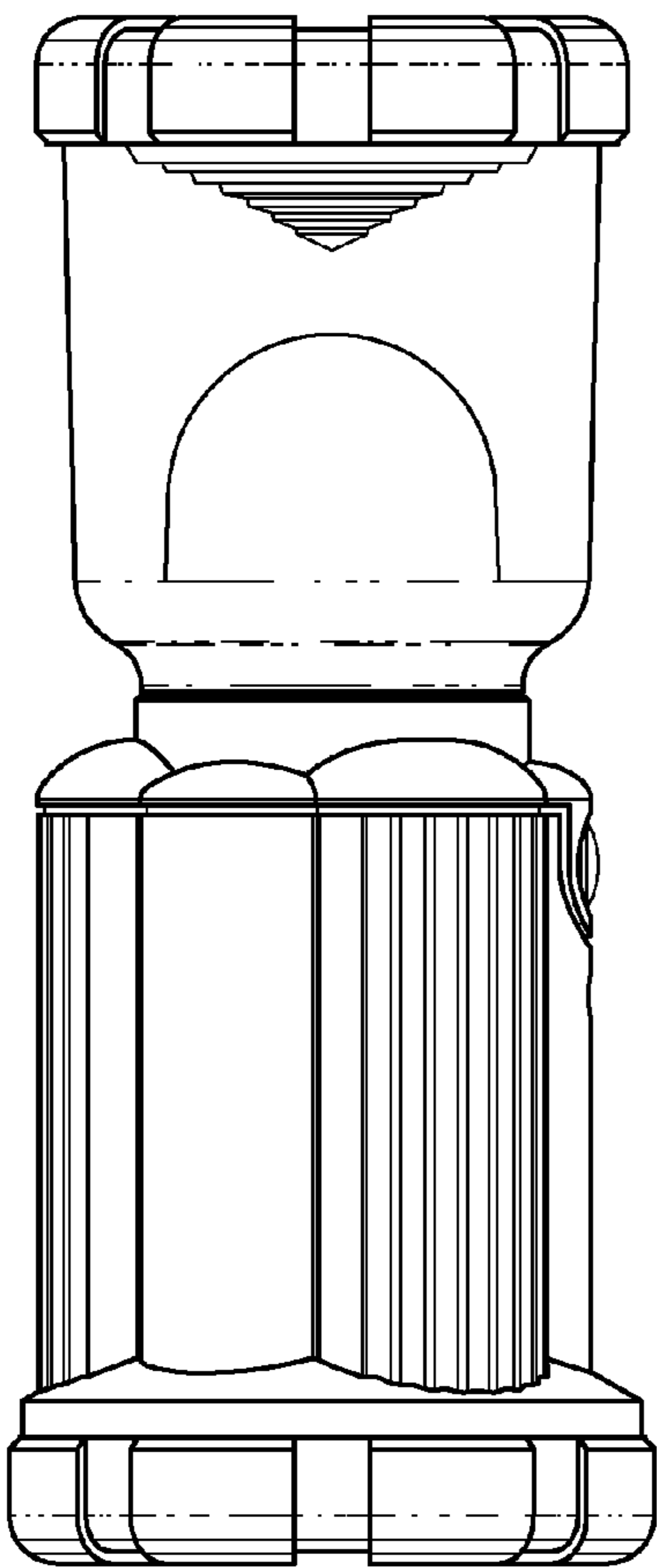
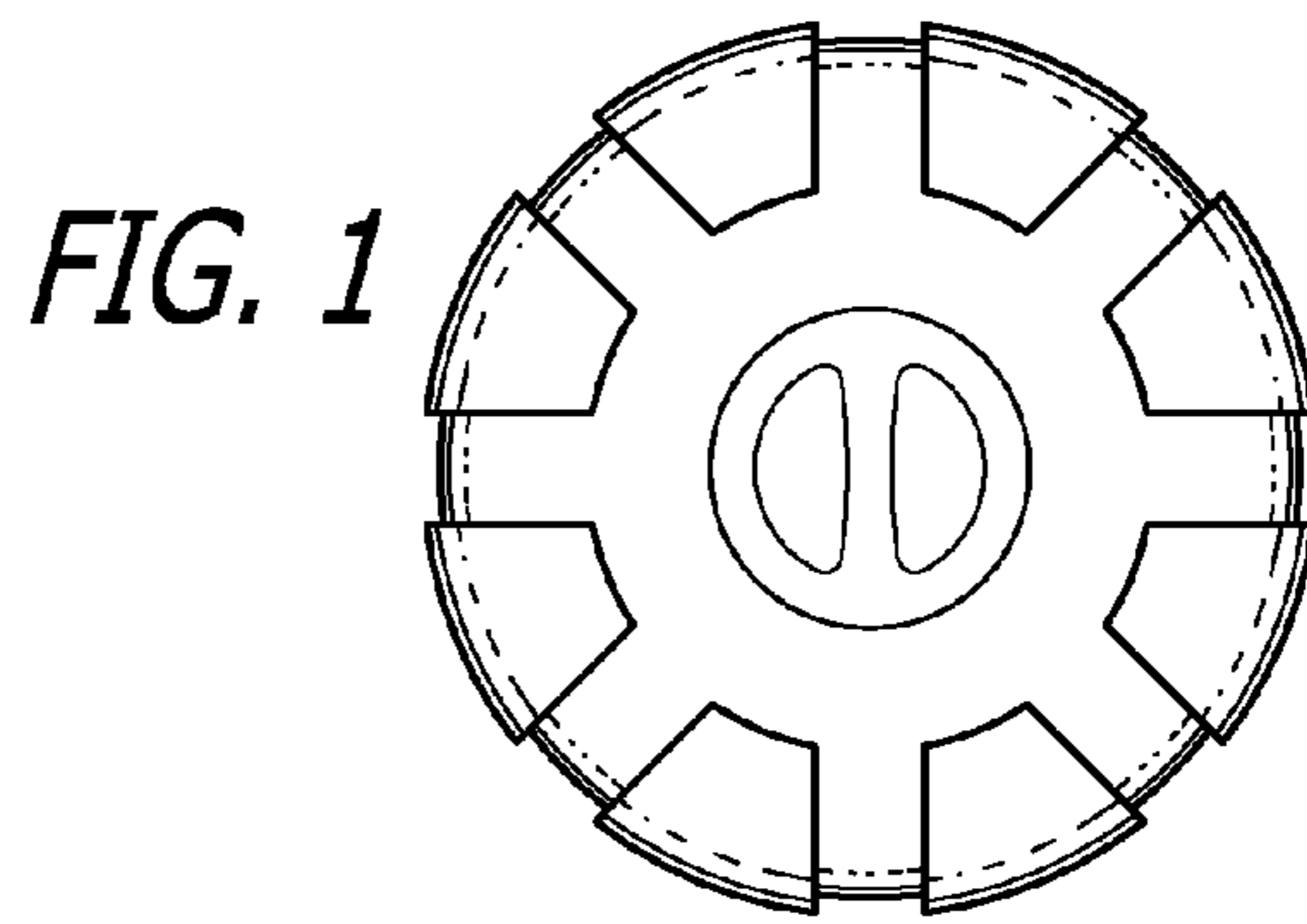
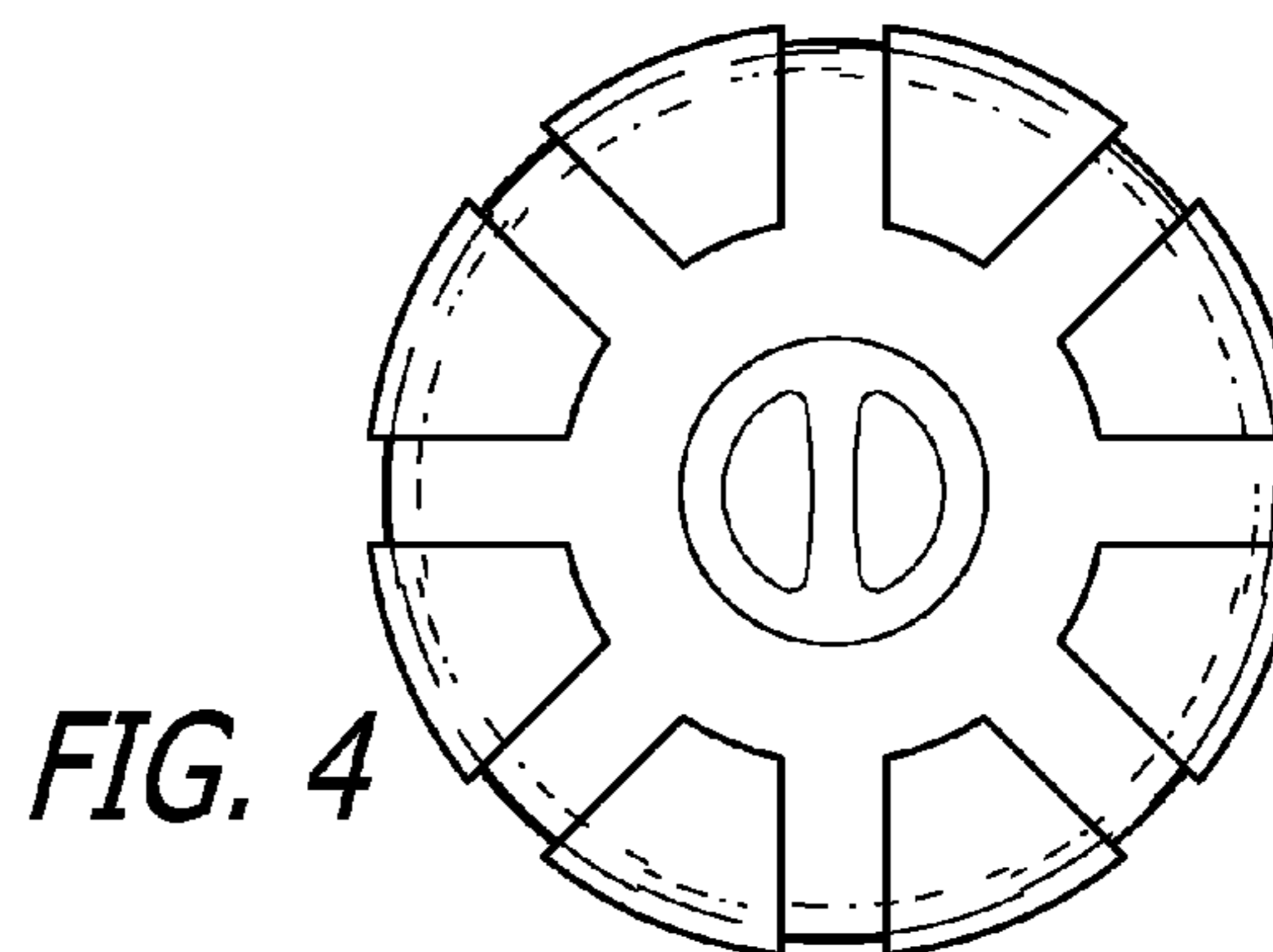
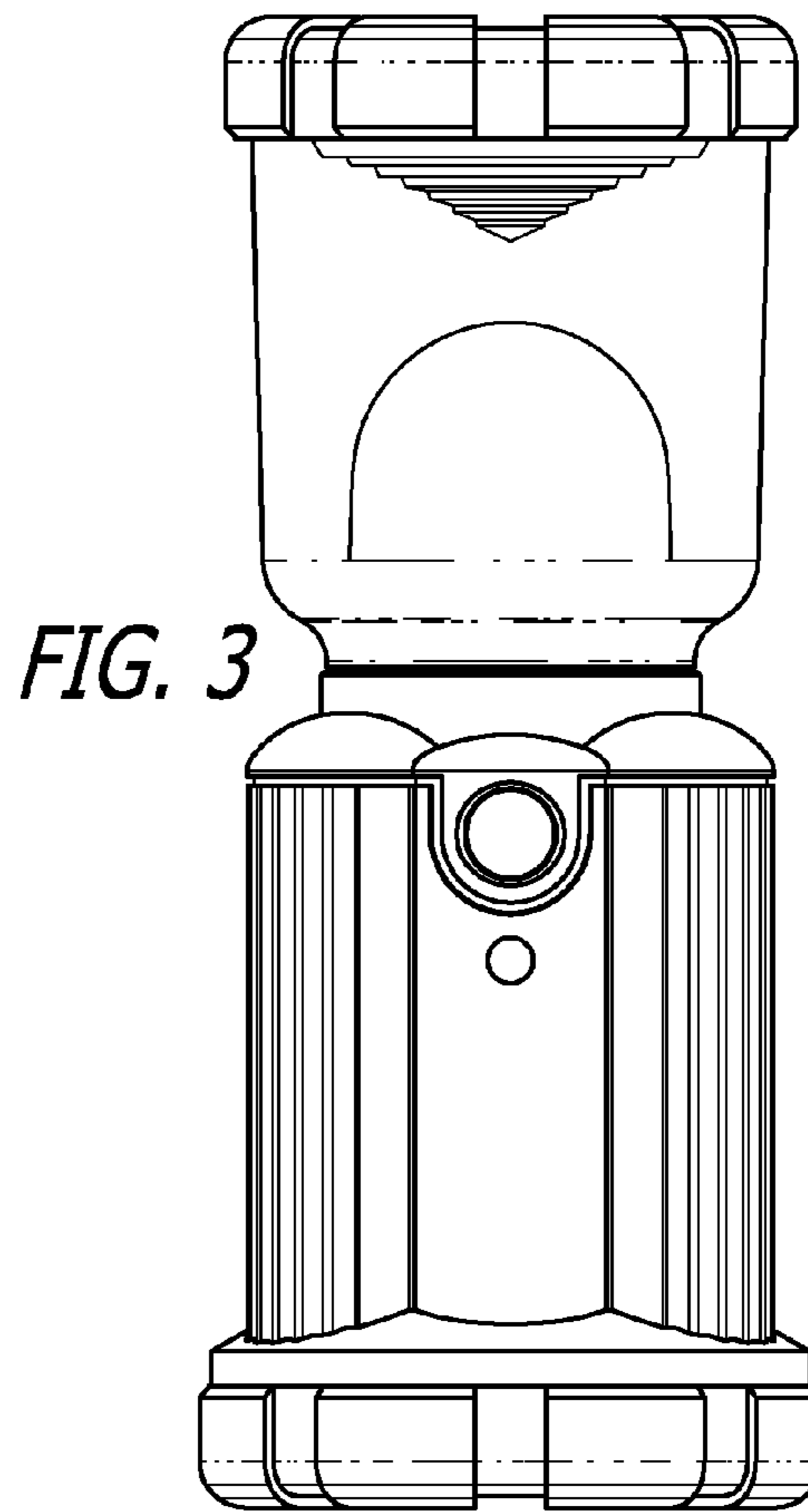


FIG. 2



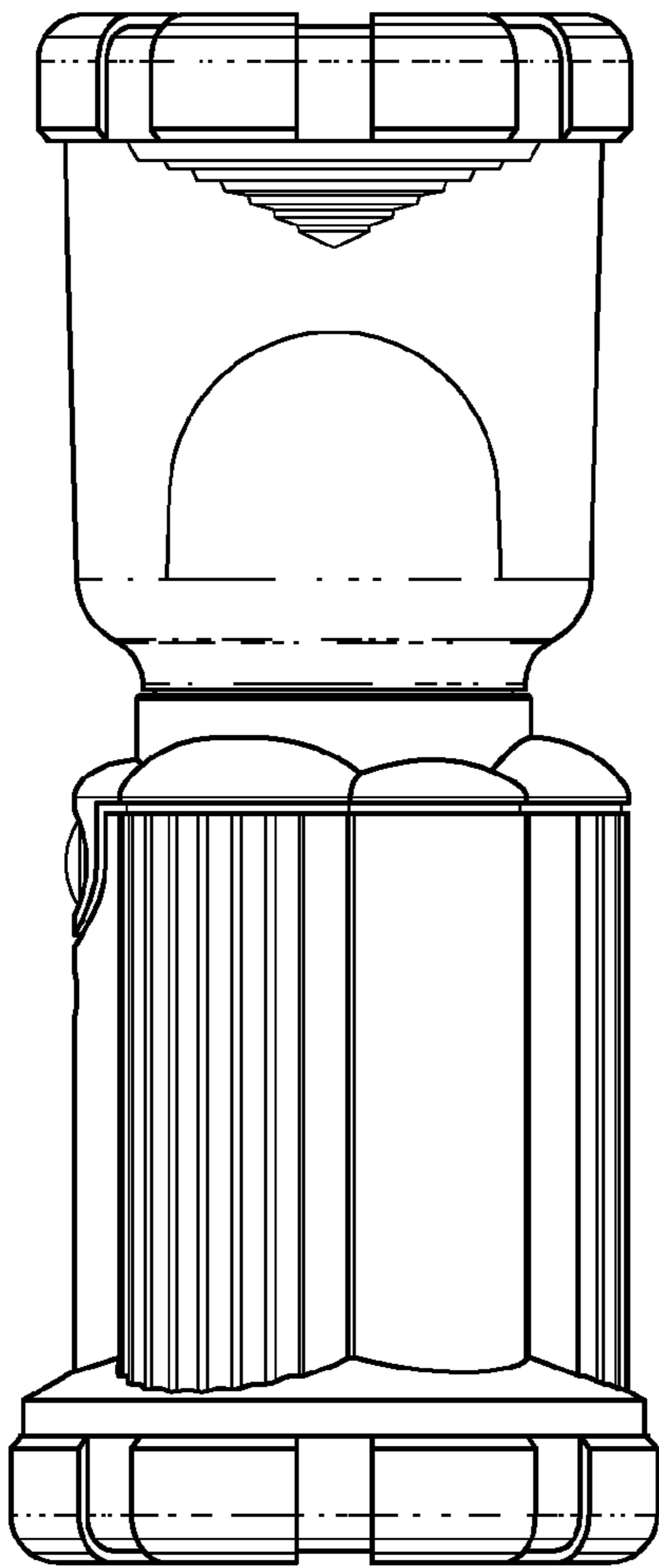


FIG. 5

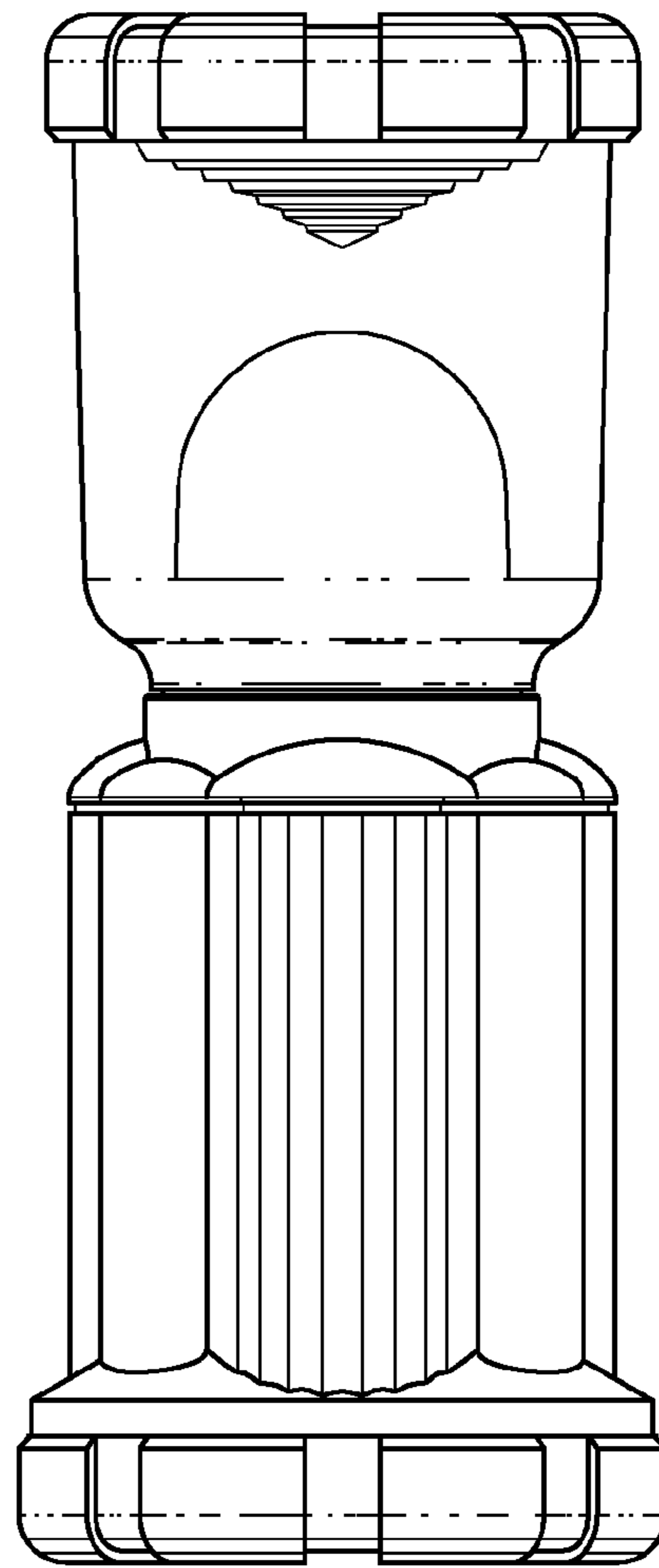


FIG. 6