

US00D547888S

(12) **United States Design Patent**  
**Conway et al.**

(10) **Patent No.:** **US D547,888 S**  
(45) **Date of Patent:** **\*\* Jul. 31, 2007**

(54) **HEADLAMP HOUSING**

(75) Inventors: **Scott M. Conway**, Flower Mound, TX (US); **Dwayne Jackson**, Miami Beach, FL (US)

(73) Assignee: **PACCAR Inc**, Bellevue, WA (US)

(\*\*) Term: **14 Years**

(21) Appl. No.: **29/250,091**

(22) Filed: **Nov. 1, 2006**

(51) **LOC (8) Cl.** ..... **26-06**

(52) **U.S. Cl.** ..... **D26/28**

(58) **Field of Classification Search** ..... D26/28-36;  
362/459-468, 475-478, 485-487  
See application file for complete search history.

(56) **References Cited**

**U.S. PATENT DOCUMENTS**

D517,708 S \* 3/2006 Phillips et al. .... D26/28  
D518,207 S \* 3/2006 Wong et al. .... D26/28

\* cited by examiner

*Primary Examiner*—Marcus A. Jackson

(74) *Attorney, Agent, or Firm*—Christensen O'Connor Johnson Kindness PLLC

(57) **CLAIM**

The ornamental design for a headlamp housing, as shown and described.

**DESCRIPTION**

FIG. 1 is a perspective view of a tractor-trailer showing the headlamp housing of our new design;

FIG. 2 is a perspective view of the headlamp housing;

FIG. 3 is a top view of the headlamp housing;

FIG. 4 is a front view of the headlamp housing;

FIG. 5 is a right side view of the headlamp housing;

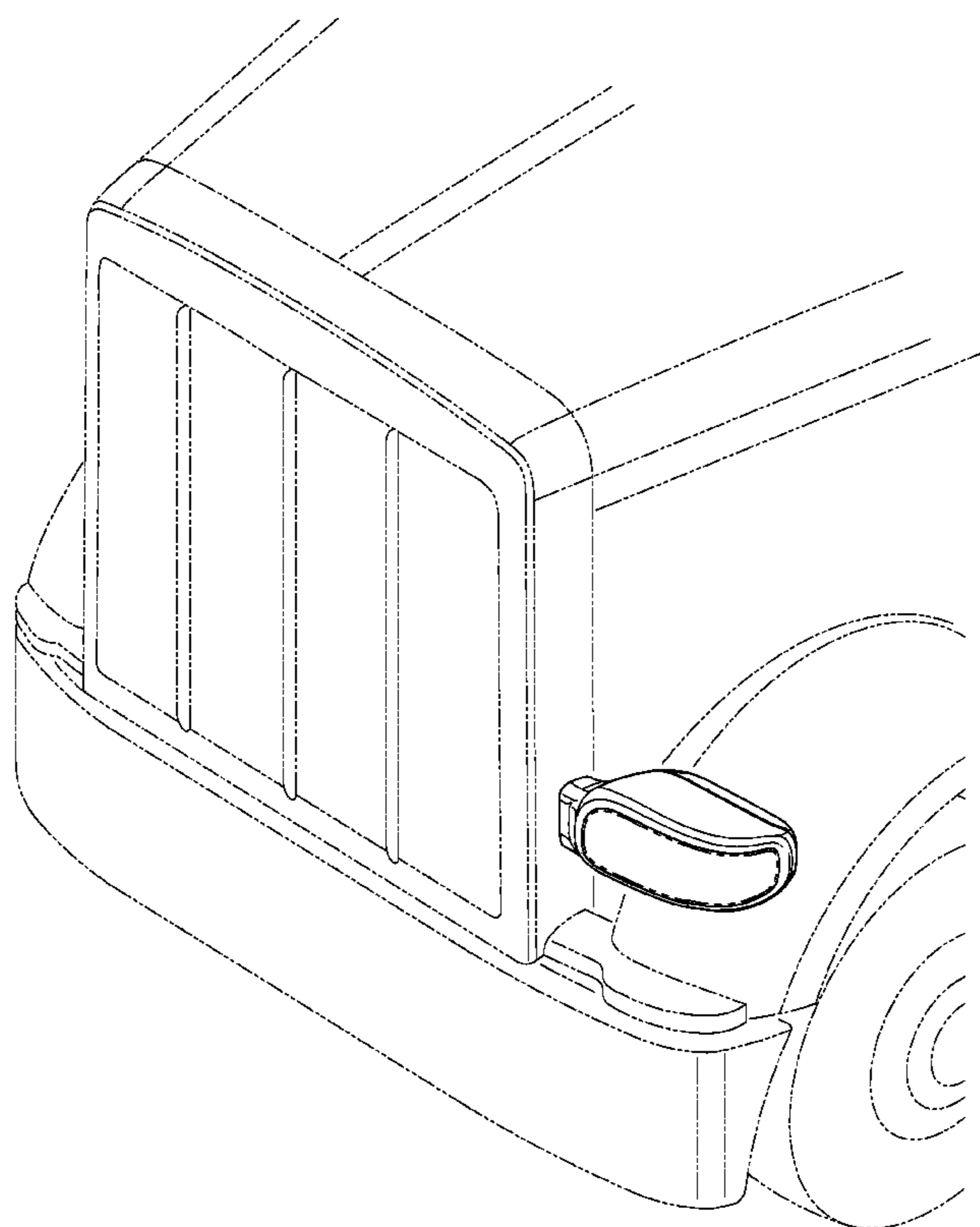
FIG. 6 is a rear view of the headlamp housing; and,

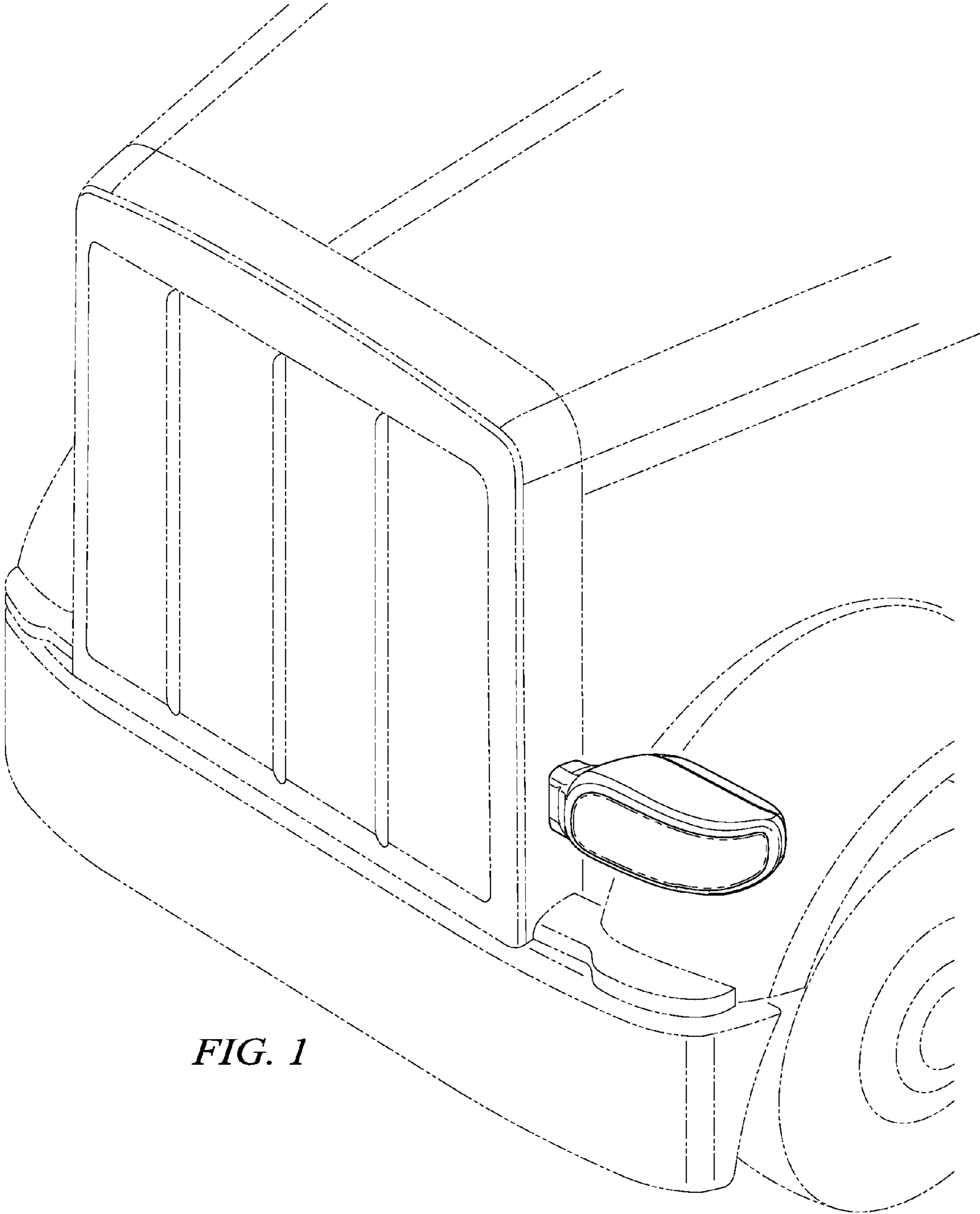
FIG. 7 is a bottom view of the headlamp housing.

The broken line showing of the tractor-trailer, in FIG. 1, depicts environment and is not part of the claimed design. The lenses and connecting structure shown in broken lines in FIGS. 1-7 are for illustrative purposes only and form no part of the claimed design.

FIGS. 1-7 illustrate a first embodiment of our novel design suitable for use on the driver's side of a tractor-trailer. Our novel design also includes a second embodiment suitable for use on the passenger side of the vehicle which is mirror symmetrical to FIGS. 1-7 and therefore not separately illustrated.

**1 Claim, 3 Drawing Sheets**





*FIG. 1*

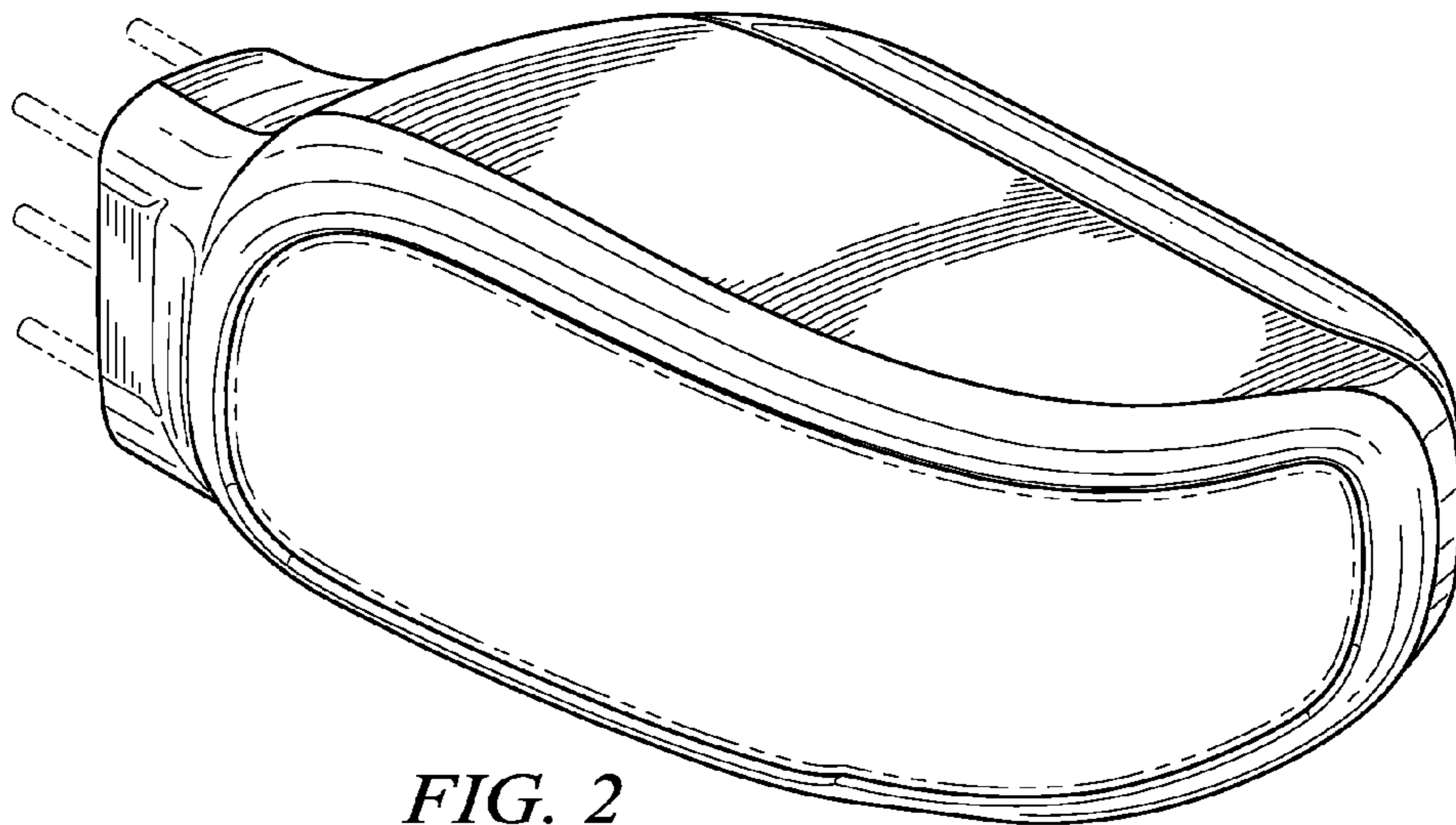


FIG. 2

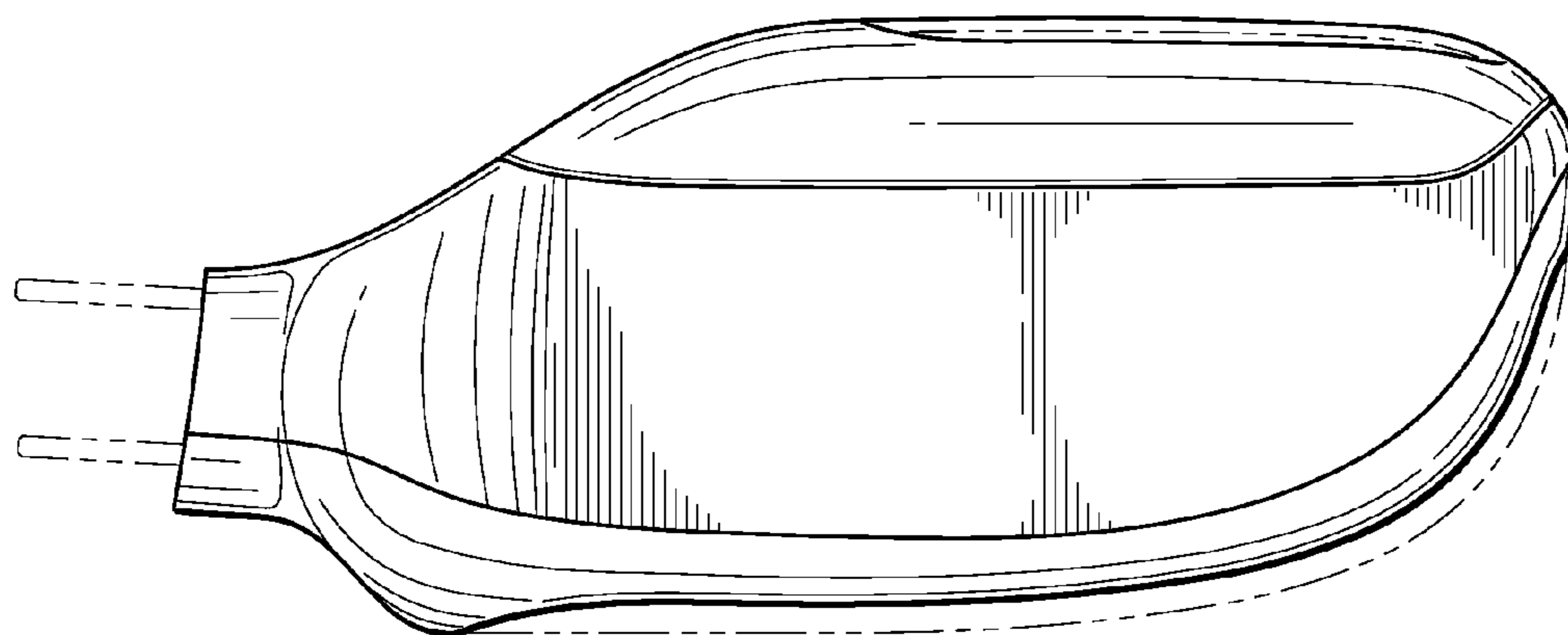


FIG. 3

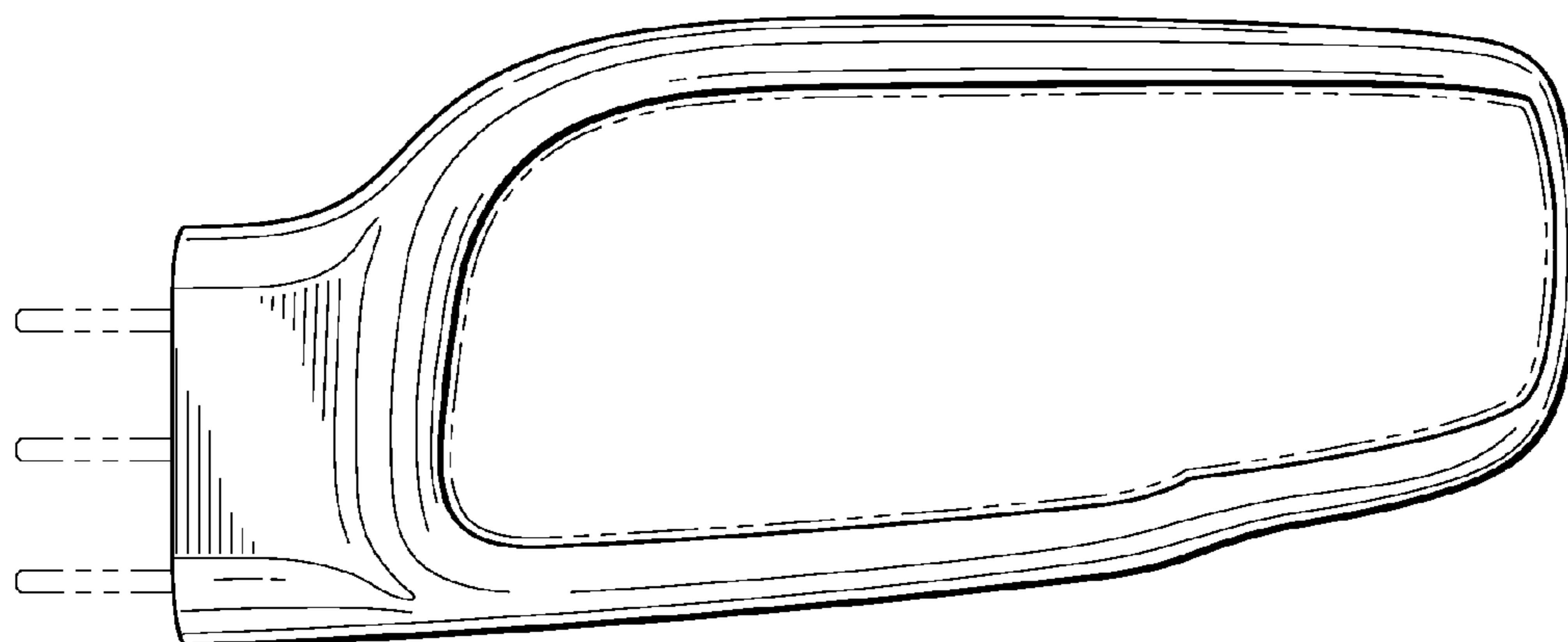


FIG. 4

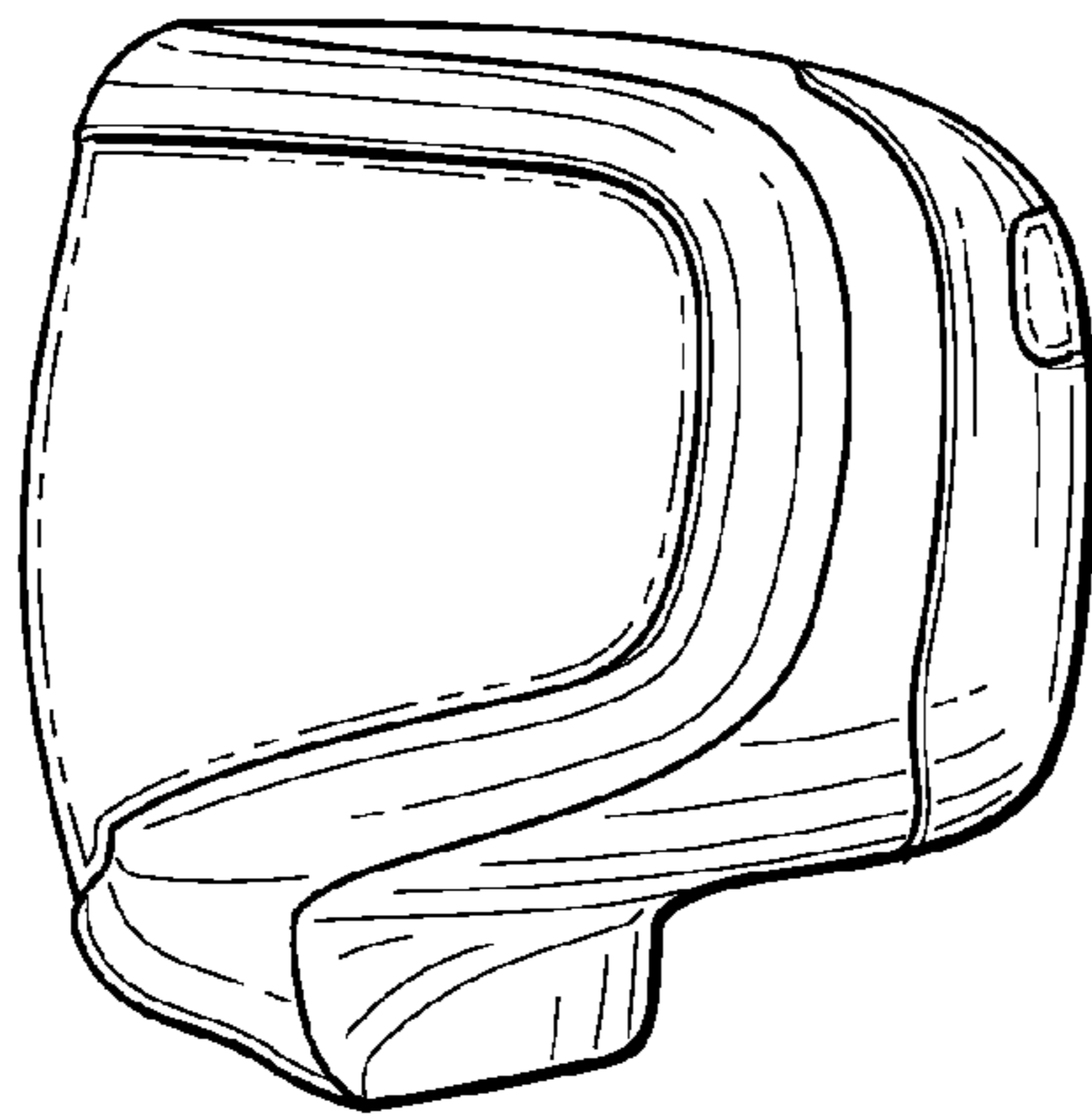


FIG. 5

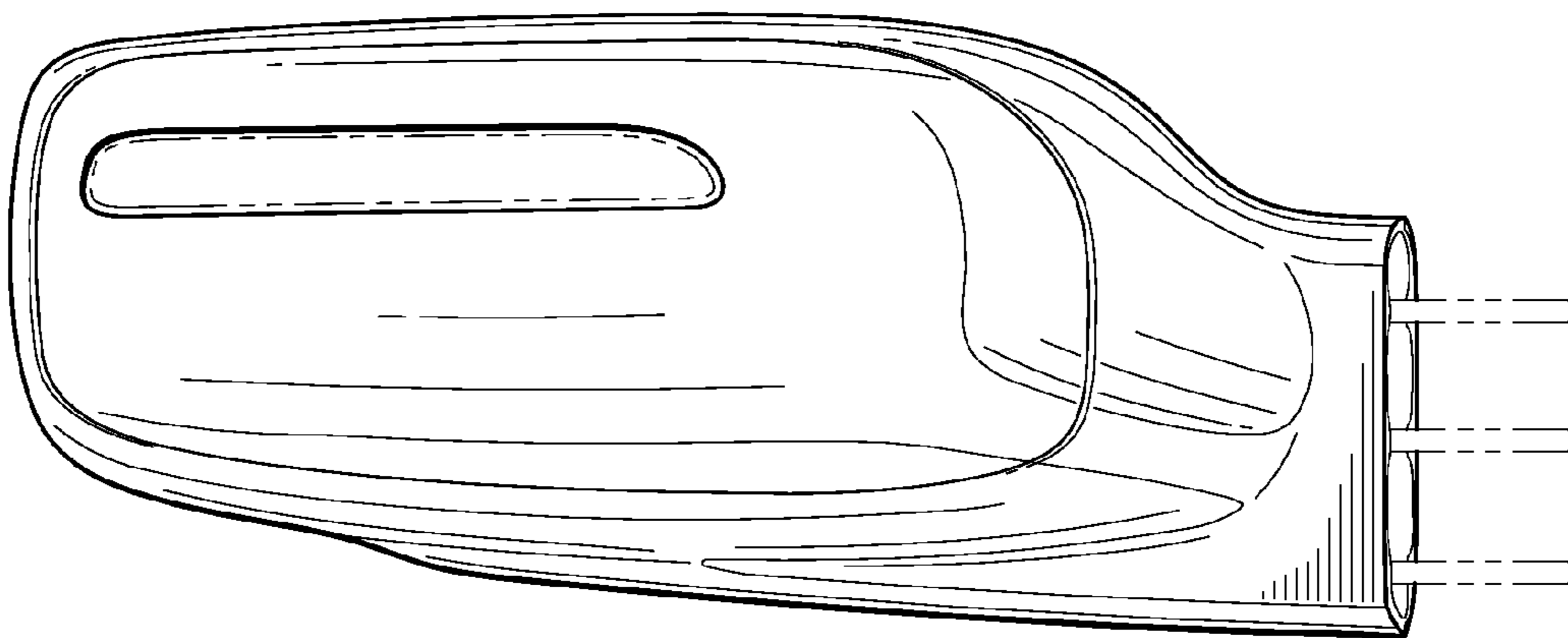


FIG. 6

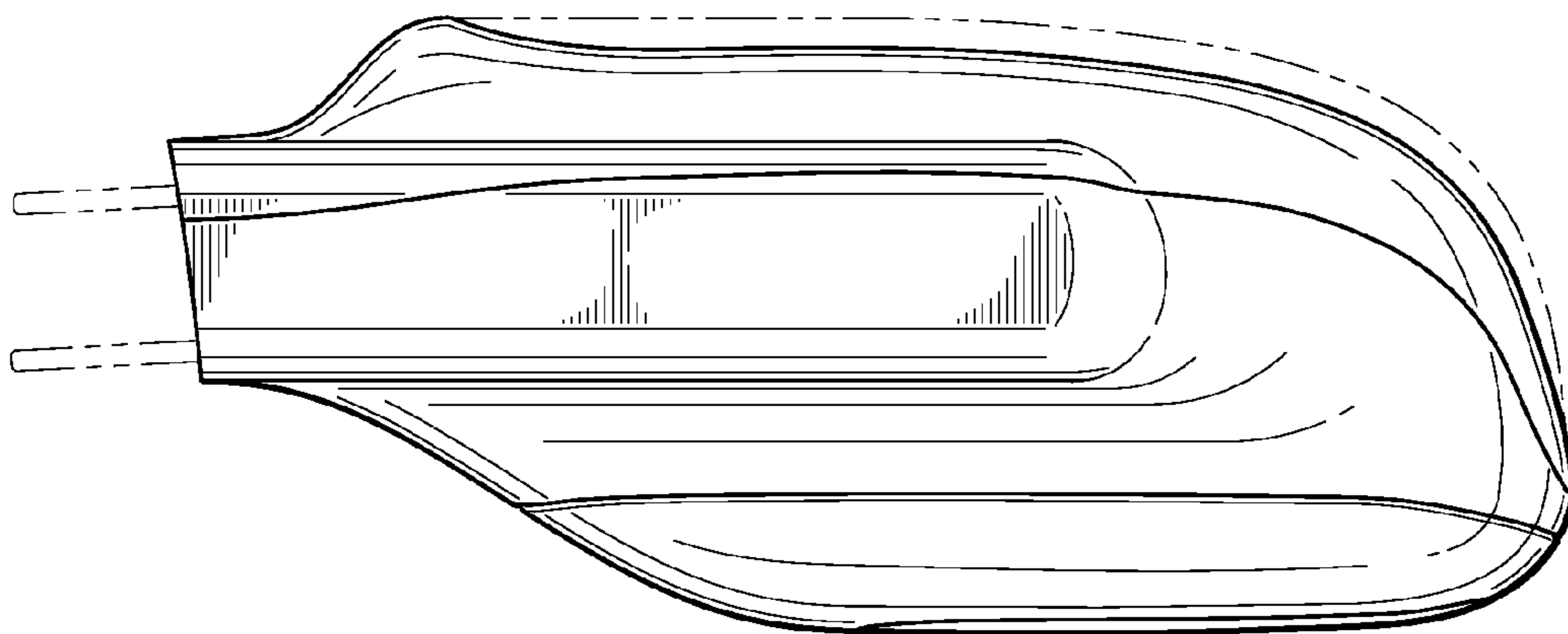


FIG. 7