

US00D547885S

(12) **United States Design Patent**
Aughton et al.

(10) **Patent No.:** **US D547,885 S**
(45) **Date of Patent:** **** Jul. 31, 2007**

- (54) **EXTRUSION FOR USE WITH A GATE PANEL FRAME**
- (75) Inventors: **David Aughton**, Essendon (AU);
Trevor Tennant, Shepparton (AU);
Robert Greig, Nathalia (AU)
- (73) Assignee: **Rubicon Research Pty Ltd.**, Hawthorn (AU)

- 4,022,429 A 5/1977 Yonekura
- D253,491 S 11/1979 Limmergard et al.
- 4,310,262 A * 1/1982 Calza et al. 405/87
- 4,332,507 A 6/1982 Wakamori et al.
- 4,498,809 A 2/1985 Farmer
- 4,522,534 A 6/1985 Wakamori
- 4,726,709 A 2/1988 Labelle
- 4,772,157 A 9/1988 Obermeyer
- 4,848,962 A 7/1989 Wipps

(Continued)

(**) Term: **14 Years**

FOREIGN PATENT DOCUMENTS

(21) Appl. No.: **29/267,798**

CH 188255 3/1937

(22) Filed: **Oct. 19, 2006**

(Continued)

Related U.S. Application Data

OTHER PUBLICATIONS

(62) Division of application No. 29/217,175, filed on Nov. 12, 2004.

International Search Report; ref. PCT/AU01/01036, Nov. 19, 2001.

(Continued)

(30) **Foreign Application Priority Data**

Primary Examiner—Doris Clark

May 14, 2004 (AU) 1829/04

(74) *Attorney, Agent, or Firm*—Leah Sherry; Thelen Reid Brown Raysman & Steiner LLP

(51) **LOC (8) Cl.** **25-01**

(52) **U.S. Cl.** **D25/119**

(58) **Field of Classification Search** D25/43,
D25/124, 119, 126; 405/87, 52, 80, 86, 95,
405/105, 100; 256/12.5, 13, 13.1

See application file for complete search history.

(57) **CLAIM**

The ornamental design of an extrusion for use with a gate panel frame, as shown and described.

(56) **References Cited**

DESCRIPTION

U.S. PATENT DOCUMENTS

- 31,836 A 3/1861 Taylor
- 109,984 A 12/1870 Whitney
- 344,878 A 7/1886 Tainter
- 344,879 A 7/1886 Tainter
- 1,377,921 A 5/1921 Peterson
- 1,455,586 A 5/1923 Hajek
- 1,544,996 A 7/1925 Laufer
- 2,317,975 A 5/1943 Boath et al.
- 2,909,899 A 10/1959 Ramsden et al.
- 3,693,355 A 9/1972 Dubouchet

FIG. 1 is a side elevational view of an extrusion for use with a gate panel frame.

FIG. 2 is a perspective view thereof.

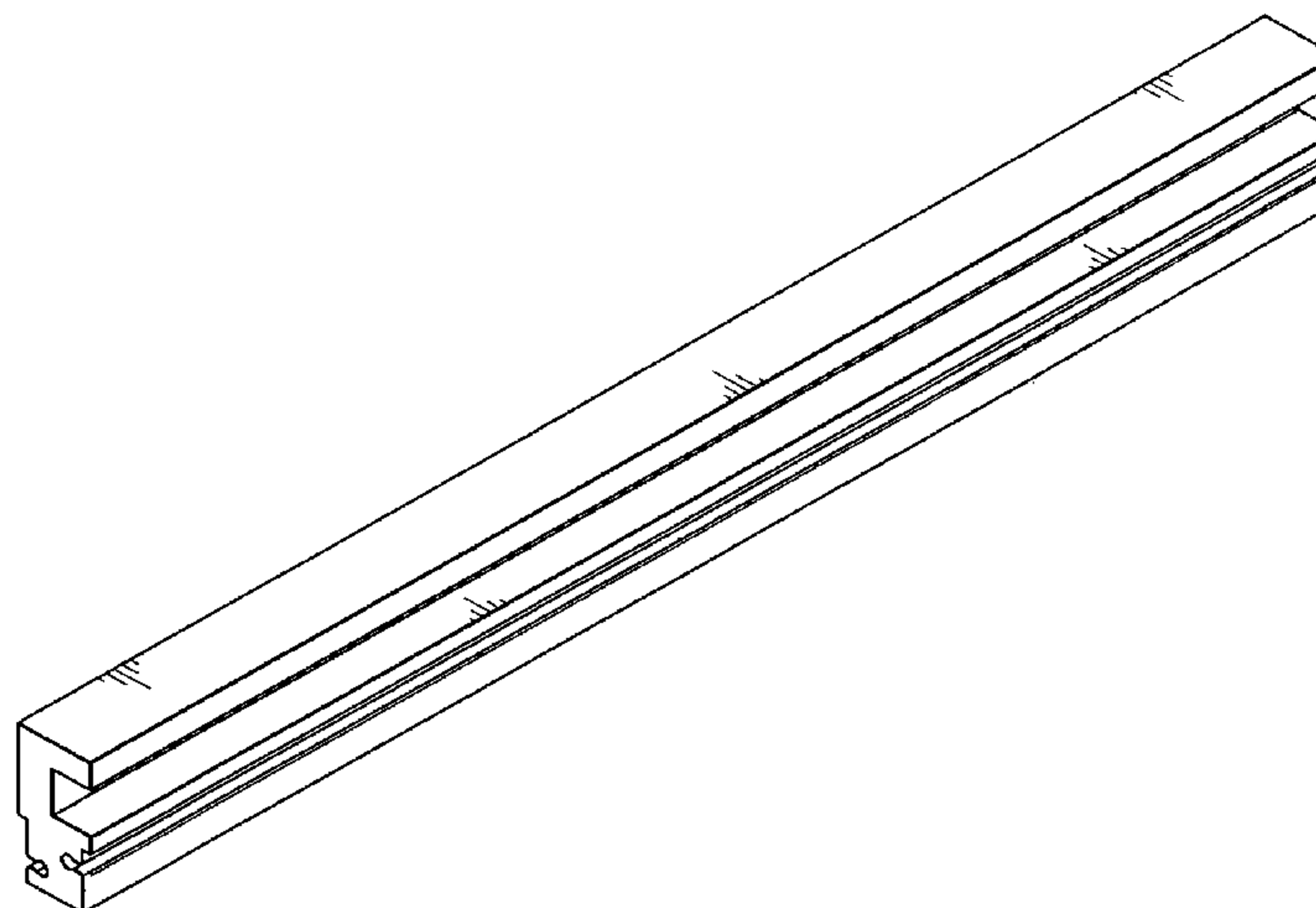
FIG. 3 is a side elevational view of a second embodiment of the extrusion for use with a gate panel frame.

FIG. 4 is a perspective view thereof.

FIG. 5 is a side elevational view of a third embodiment of the extrusion for use with a gate panel frame; and,

FIG. 6 is a perspective view thereof.

1 Claim, 3 Drawing Sheets



US D547,885 S

Page 2

U.S. PATENT DOCUMENTS

D308,729 S	6/1990	Dallaire et al.
D356,418 S	3/1995	Makimura
5,460,462 A	10/1995	Regan
5,516,230 A	5/1996	Barger et al.
5,591,286 A	1/1997	Suenaga et al.
5,613,803 A	3/1997	Parrish
5,642,963 A *	7/1997	Obermeyer 405/100
5,678,956 A *	10/1997	Freelain 405/99
5,708,211 A	1/1998	Jepson et al.
5,758,989 A	6/1998	Snowberger
5,833,388 A	11/1998	Edwards et al.
5,868,159 A	2/1999	Loan et al.
5,984,575 A	11/1999	Knott
D418,394 S	1/2000	King
D427,325 S *	6/2000	Ginzel D25/119
D499,494 S	12/2004	Tjakra et al.

FR	2685367	8/1993
GB	2302723	1/1997
JP	60-88711	3/1994
JP	8120654	5/1996
JP	6326040	12/1996
JP	9221736	8/1997
JP	10159068	6/1998
JP	10183585	7/1998
JP	11241331	9/1999
JP	11323885	11/1999
NL	1010851	6/2000
SU	768876	10/1980
SU	983179	12/1982
SU	1113462	9/1984
SU	1283284	1/1987
WO	WO 98/52002	11/1998
WO	WO 99/58768	11/1999
WO	WO 01/59221 A1	8/2001

FOREIGN PATENT DOCUMENTS

CH	640 289	12/1983
DE	696 613	9/1940
DE	1 080 934	3/1958
DE	1 103 857	3/1961
DE	1 103 875	4/1961
DE	2 247 453	4/1974
DE	29 35 015 A1	3/1981
EP	0345180	12/1989
FR	2594896	8/1987

OTHER PUBLICATIONS

International Search Report, ref: PCT/AU02/00230, Jun. 17, 2002.
Supplemental European Search Report; Application No. 01962462.
6-2303/AU/0101036, Applicant Rubicon Research Pty Ltd., dated
Jan. 10, 2005.

European Search Report; Application No. 02700049.6-2303/AU/
0200230, Applicant Rubicon Research Pty Ltd., dated Jul. 12, 2004.

* cited by examiner

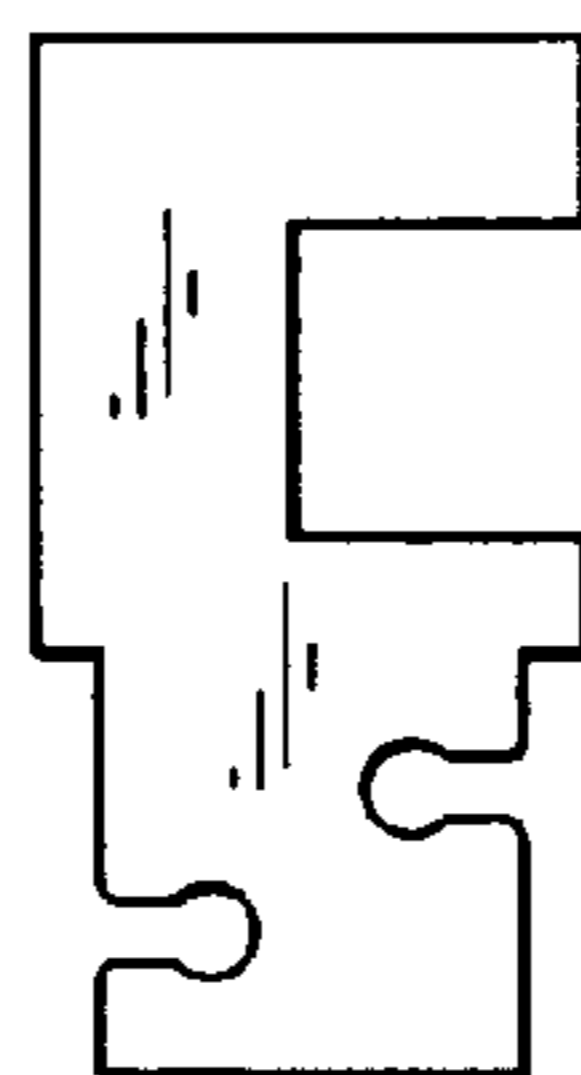


FIG. 1

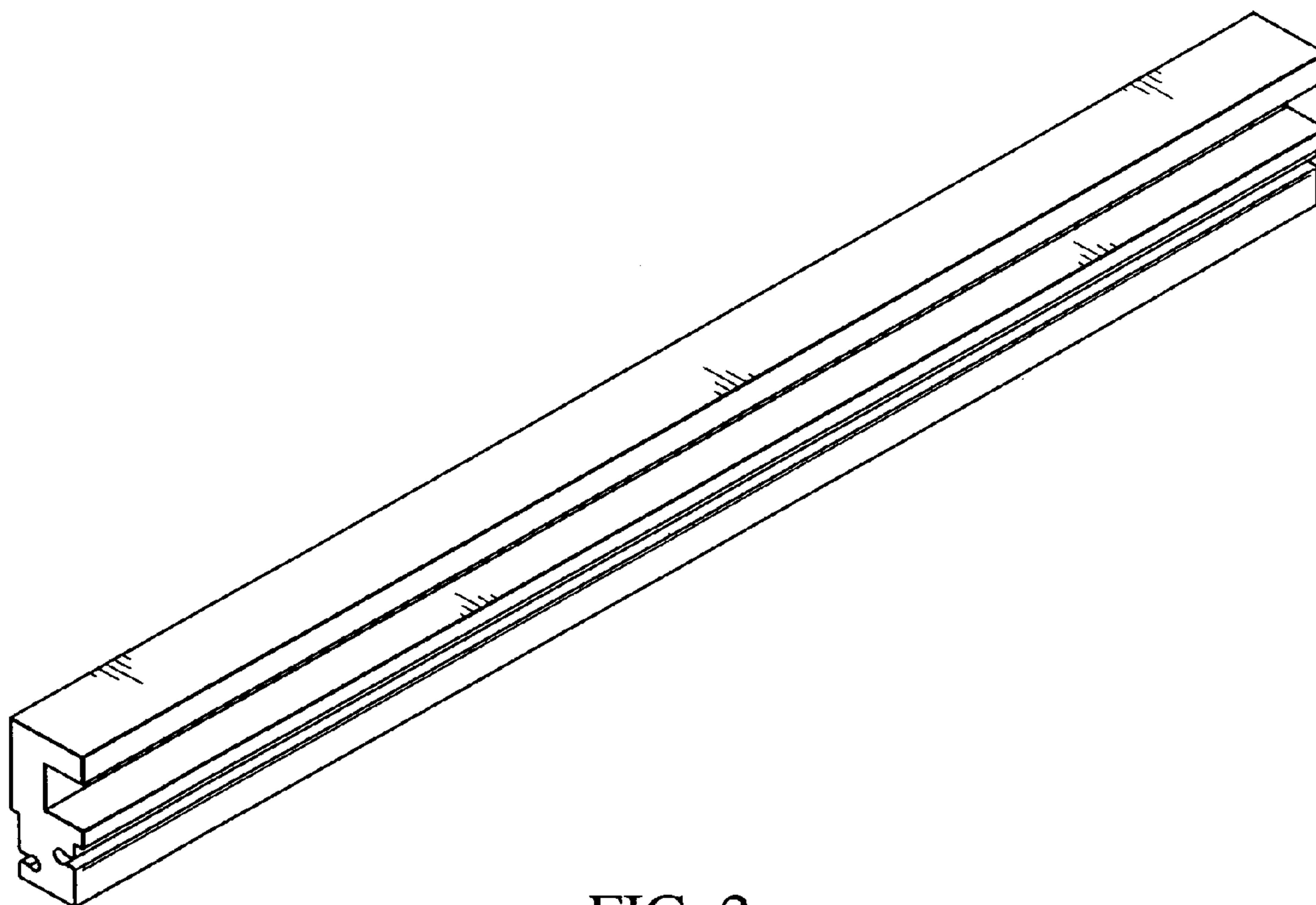


FIG. 2

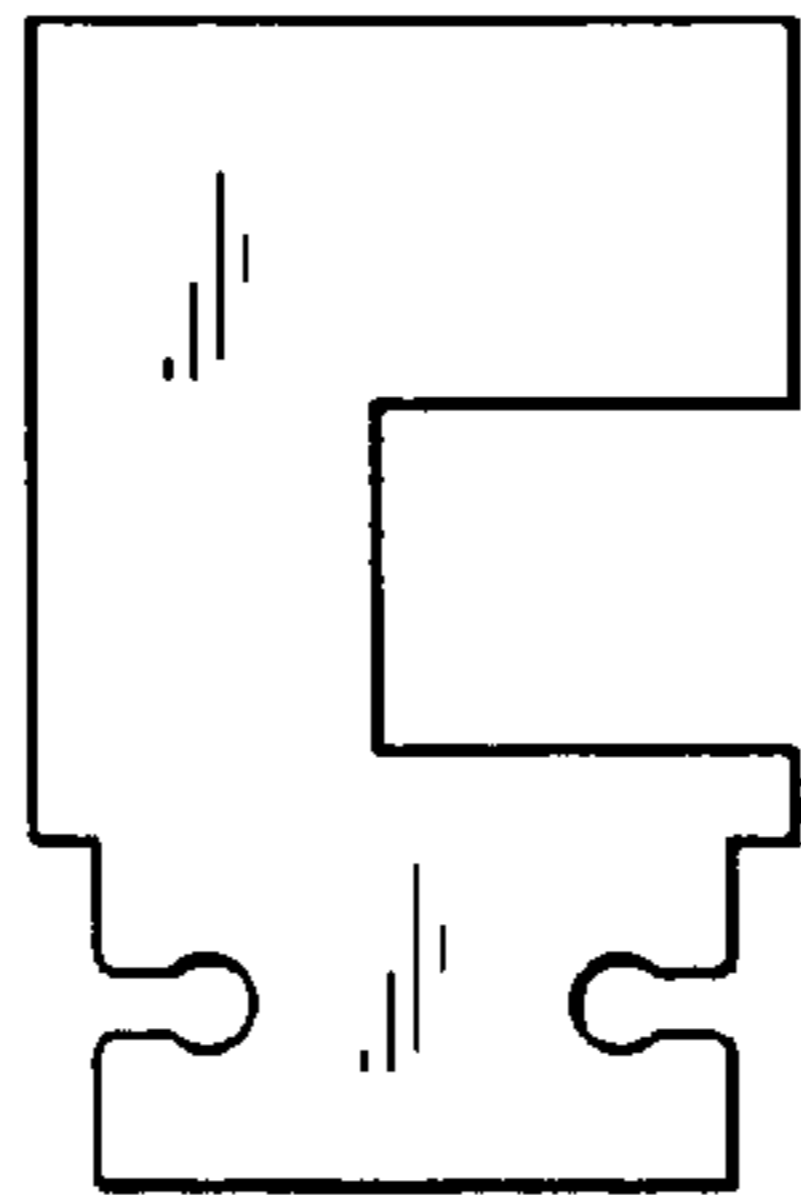


FIG. 3

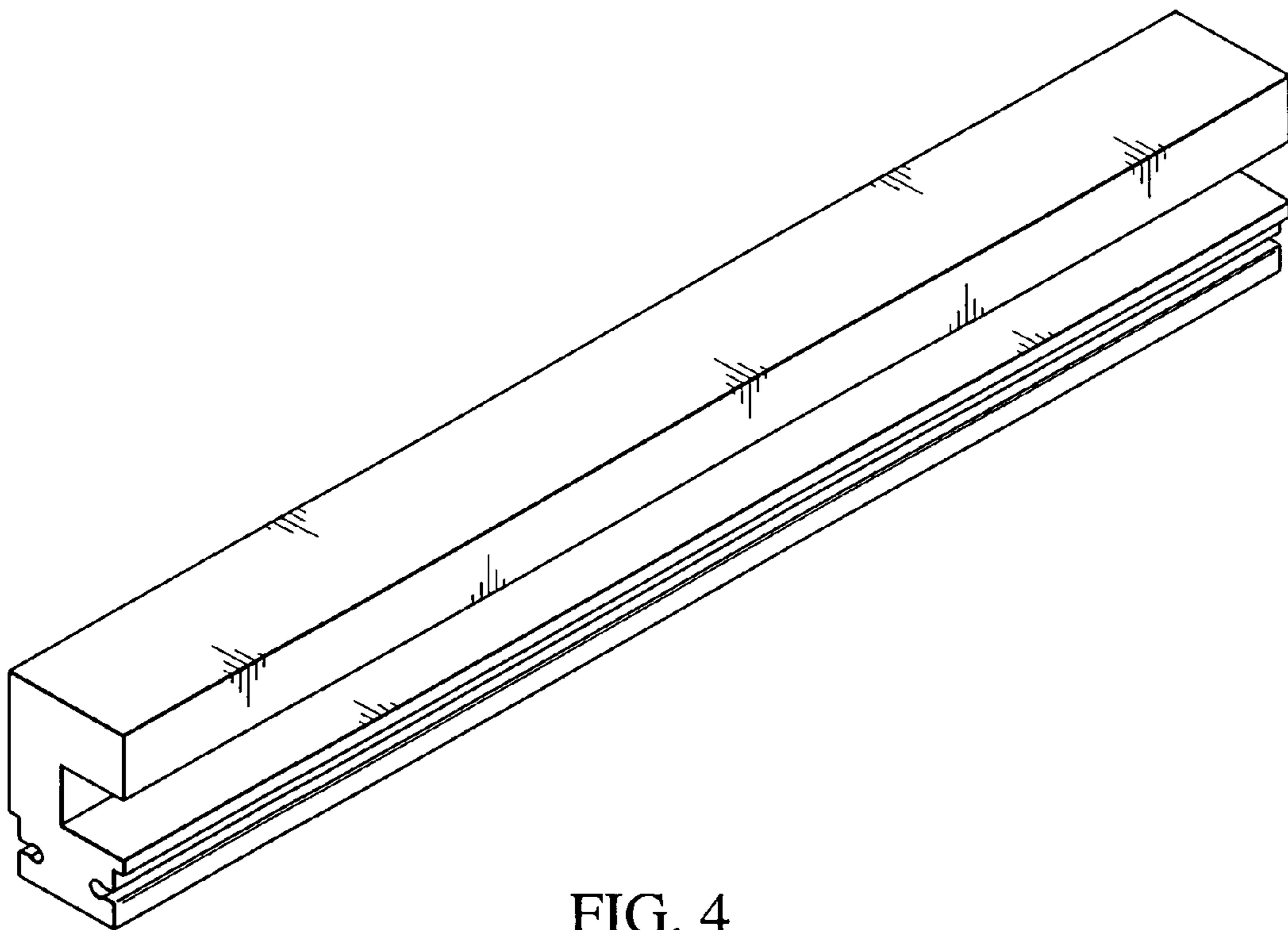


FIG. 4

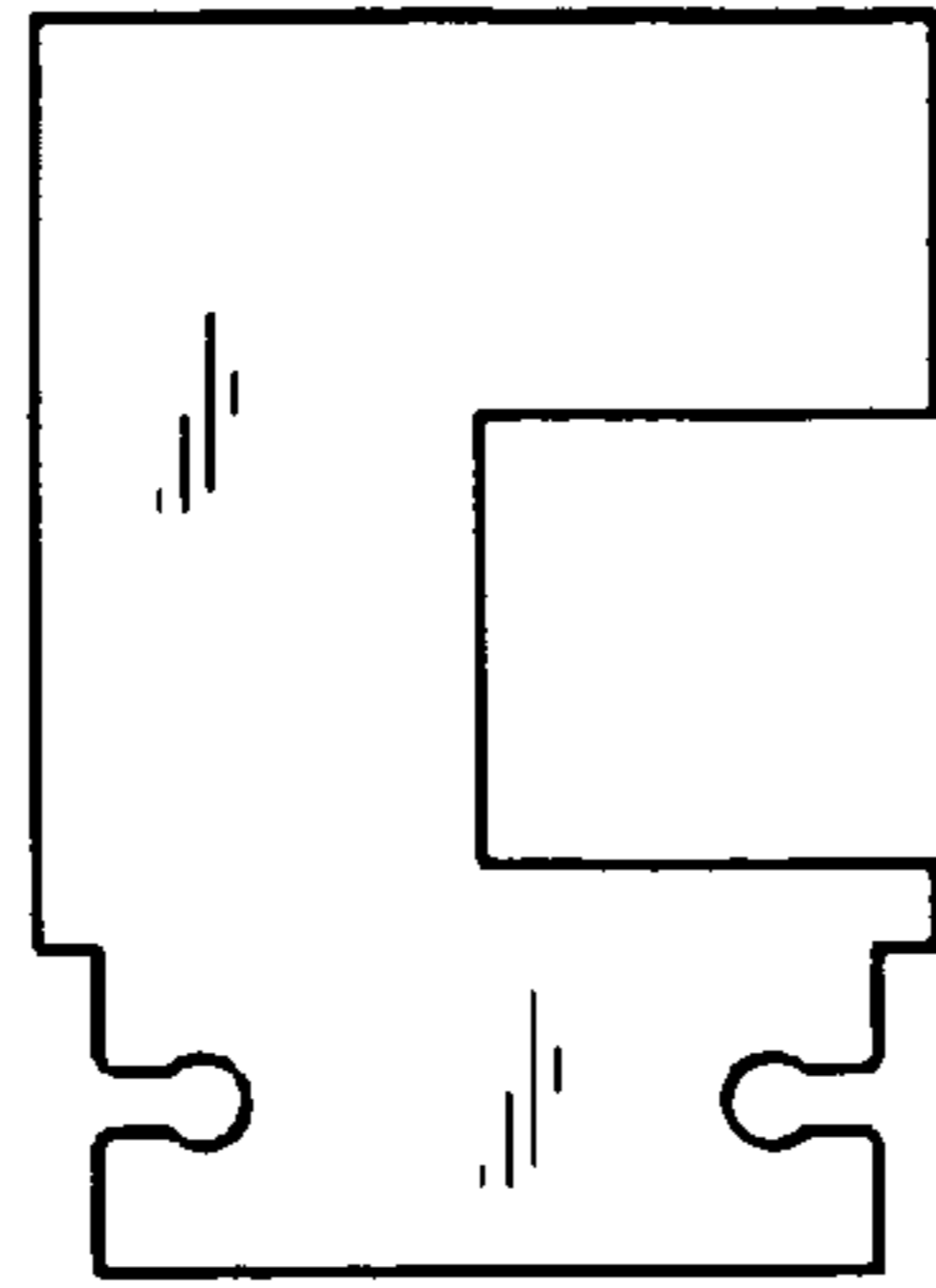


FIG. 5

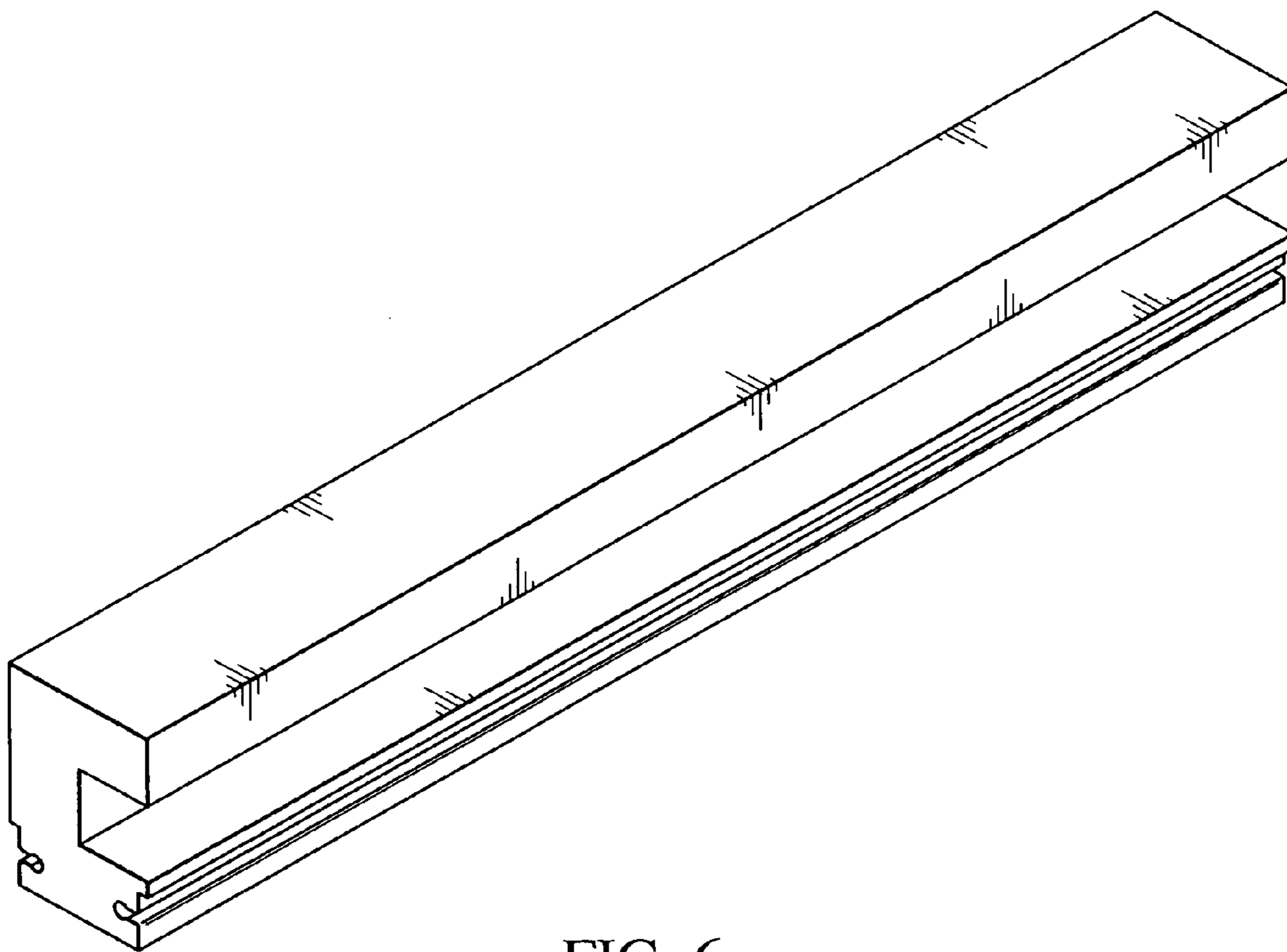


FIG. 6