

US00D547883S

(12) **United States Design Patent** (10) **Patent No.:** **US D547,883 S**  
**Aughton et al.** (45) **Date of Patent:** **\*\* Jul. 31, 2007**

(54) **EXTRUSION FOR USE WITH A GATE PANEL FRAME**  
(75) Inventors: **David Aughton**, Essendon (AU);  
**Trevor Tennant**, Shepparton (AU);  
**Robert Greig**, Nathalia (AU)  
(73) Assignee: **Rubicon Research Pty Ltd.**, Hawthorn (AU)

3,693,355 A 9/1972 Dubouchet  
4,022,429 A 5/1977 Yonekura  
D253,491 S 11/1979 Limmergard et al.  
4,310,262 A \* 1/1982 Calza et al. .... 405/87  
4,332,507 A 6/1982 Wakamori et al.  
4,498,809 A 2/1985 Farmer  
4,522,534 A 6/1985 Wakamori  
4,726,709 A 2/1988 Labelle

(Continued)

(\*\*) Term: **14 Years**

FOREIGN PATENT DOCUMENTS

(21) Appl. No.: **29/267,755**

CH 188255 3/1937

(Continued)

(22) Filed: **Oct. 19, 2006**

OTHER PUBLICATIONS

**Related U.S. Application Data**

International Search Report; ref. PCT/AU01/01036, Nov. 19, 2001.

(62) Division of application No. 29/217,175, filed on Nov. 12, 2004.

(Continued)

(30) **Foreign Application Priority Data**

*Primary Examiner*—Doris Clark

May 14, 2004 (AU) ..... 1829/04

(74) *Attorney, Agent, or Firm*—Leah Sherry; Thelen Reid Brown Raysman & Steiner LLP

(51) **LOC (8) Cl.** ..... **25-01**

(57) **CLAIM**

(52) **U.S. Cl.** ..... **D25/119; D25/121**

The ornamental design of an extrusion for use with a gate panel frame, as shown and described.

(58) **Field of Classification Search** ..... D25/43, D25/121, 124, 119, 126; 405/87, 52, 80, 405/86, 95, 105, 100; 256/12.5, 13, 13.1

See application file for complete search history.

**DESCRIPTION**

(56) **References Cited**

FIG. 1 is a side elevational view of an extrusion for use with a gate panel frame.

U.S. PATENT DOCUMENTS

FIG. 2 is a perspective view thereof.

31,836 A 3/1861 Taylor  
109,984 A 12/1870 Whitney  
344,878 A 7/1886 Tainter  
344,879 A 7/1886 Tainter  
1,377,921 A 5/1921 Peterson  
1,455,586 A 5/1923 Hajek  
1,544,996 A 7/1925 Laufer  
2,317,975 A 5/1943 Boath et al.  
2,909,899 A 10/1959 Ramsden et al.

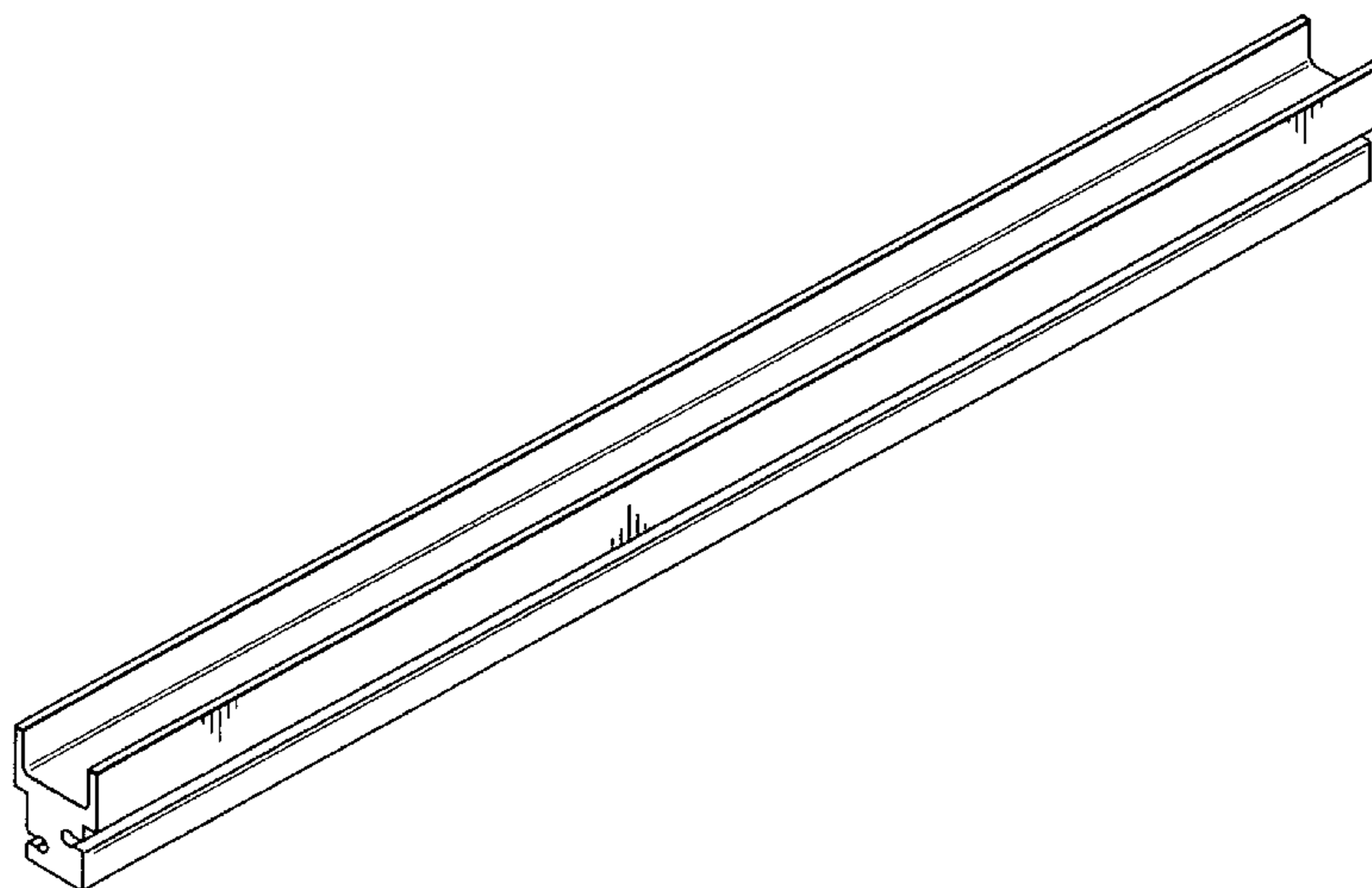
FIG. 3 is a side elevational view of a second embodiment of the extrusion for use with a gate panel frame.

FIG. 4 is a perspective view thereof.

FIG. 5 is a side elevational view of a third embodiment of the extrusion for use with a gate panel frame; and,

FIG. 6 is a perspective view thereof.

**1 Claim, 3 Drawing Sheets**



# US D547,883 S

Page 2

## U.S. PATENT DOCUMENTS

4,772,157	A	9/1988	Obermeyer	FR	2594896 8/1987
4,848,962	A	7/1989	Wipps	FR	2685367 6/1993
D308,729	S	6/1990	Dallaire et al.	GB	2302723 1/1997
D356,418	S	3/1995	Makimura	JP	60-88711 3/1994
5,460,462	A	10/1995	Regan	JP	8120654 5/1996
5,516,230	A	5/1996	Barger et al.	JP	8326040 12/1996
5,591,286	A	1/1997	Suenaga et al.	JP	9221736 8/1997
5,613,803	A	3/1997	Parrish	JP	10159068 6/1998
5,642,963	A *	7/1997	Obermeyer ..... 405/100	JP	10183585 7/1998
5,678,956	A *	10/1997	Freelain ..... 405/99	JP	11241331 9/1999
5,708,211	A	1/1998	Jepson et al.	NL	11323885 11/1999
5,758,989	A	6/1998	Snowberger	SU	1010851 6/2000
5,833,388	A	11/1998	Edwards et al.	SU	768876 10/1980
5,868,159	A	2/1999	Loan et al.	SU	983179 12/1982
5,984,575	A	11/1999	Knott	SU	1113462 9/1984
D418,394	S	1/2000	King	SU	1283284 1/1987
D427,325	S *	6/2000	Ginzel ..... D25/119	WO	WO 98/52002 11/1998
D463,578	S *	9/2002	Wall ..... D25/121	WO	WO 99/58768 11/1999
D499,494	S	12/2004	Tjakra et al.	WO	WO 01/59221 A1 8/2001

## FOREIGN PATENT DOCUMENTS

CH	640 289	12/1983
DE	696 613	9/1940
DE	1 080 934	3/1958
DE	1 103 857	3/1961
DE	1 103 875	4/1961
DE	2 247 453	4/1974
DE	29 35 015 A1	3/1981
EP	0345180	12/1989

## OTHER PUBLICATIONS

International Search Report, ref: PCT/AU02/00230, Jun. 17, 2002.  
 Supplemental European Search Report; Application No. 01962462.  
 6-2303/AU0101036, Applicant Rubicon Research Pty Ltd., dated  
 Jan. 10, 2005.  
 European Search Report; Application No. 02700049.6-2303/  
 AU0200230, Applicant Rubicon Research Pty Ltd., dated Jul. 12,  
 2004.

\* cited by examiner

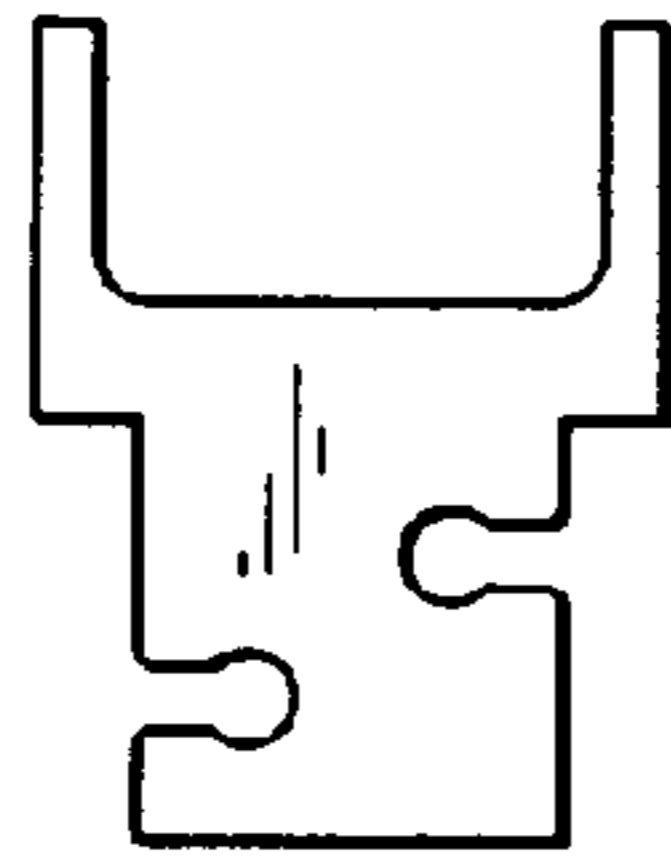


FIG. 1

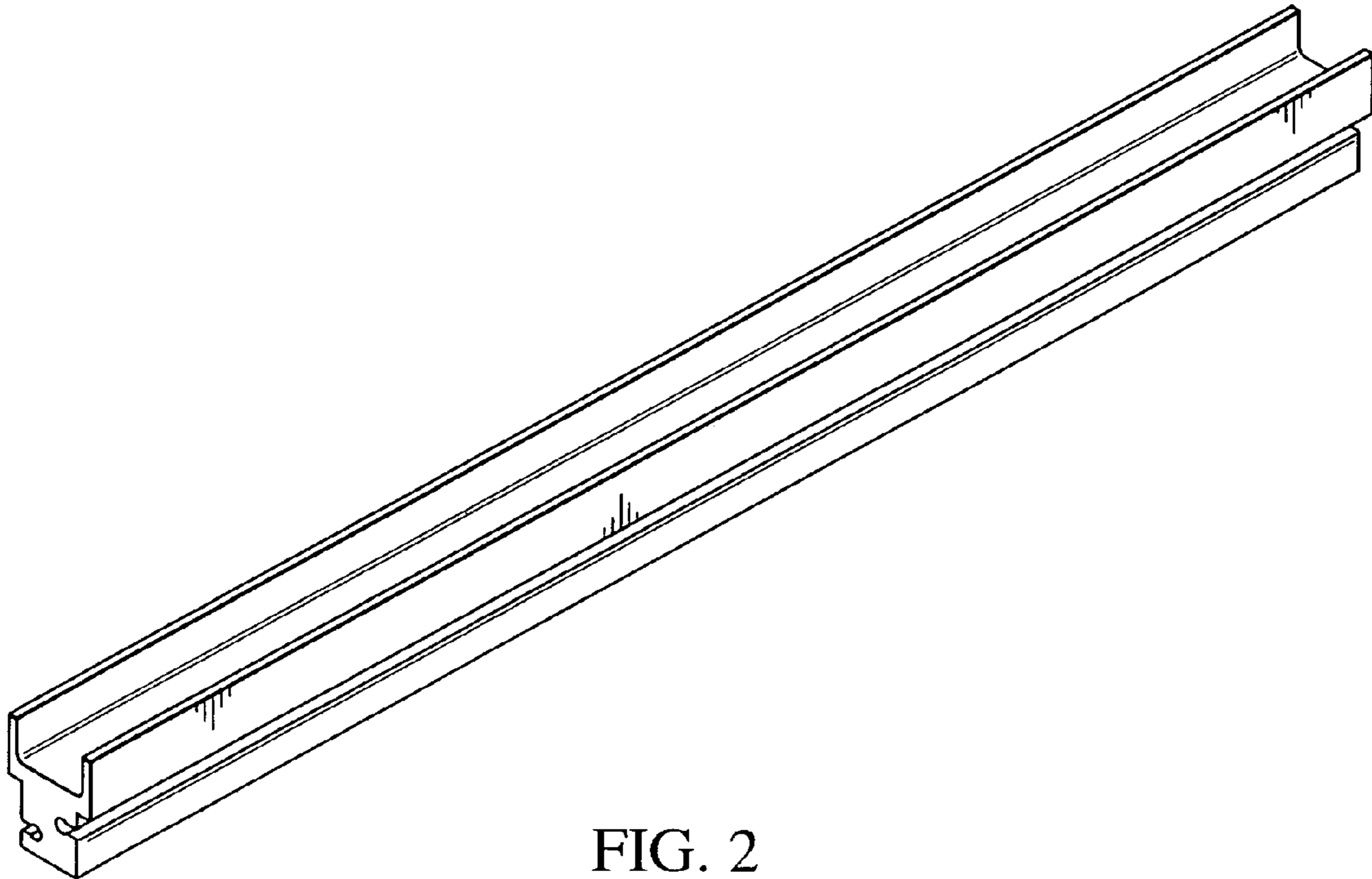


FIG. 2

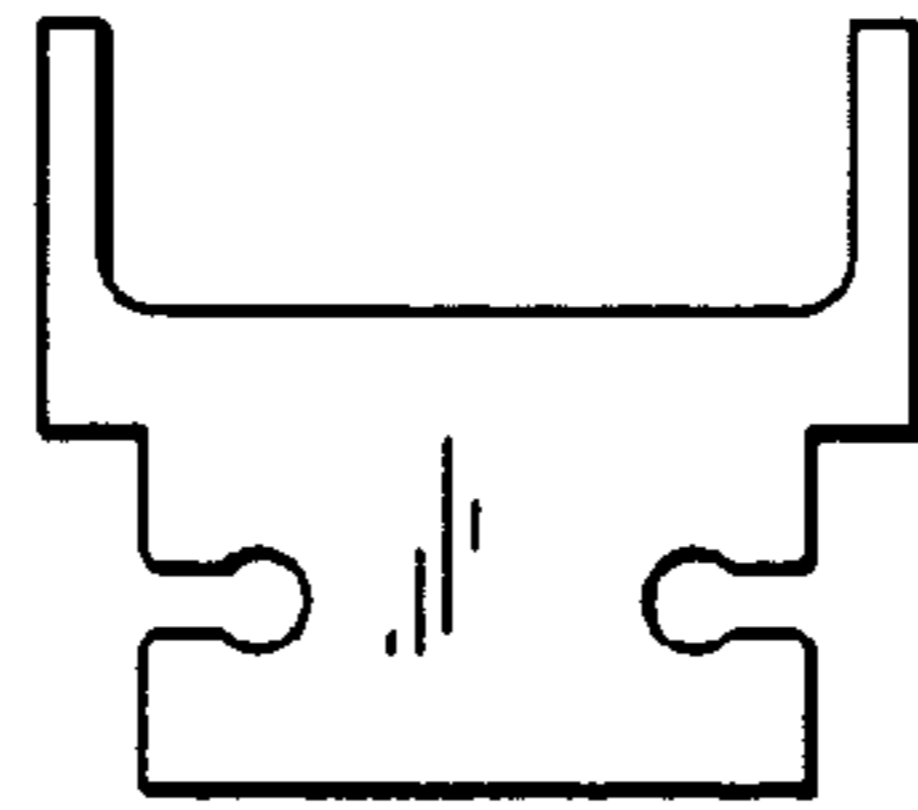


FIG. 3

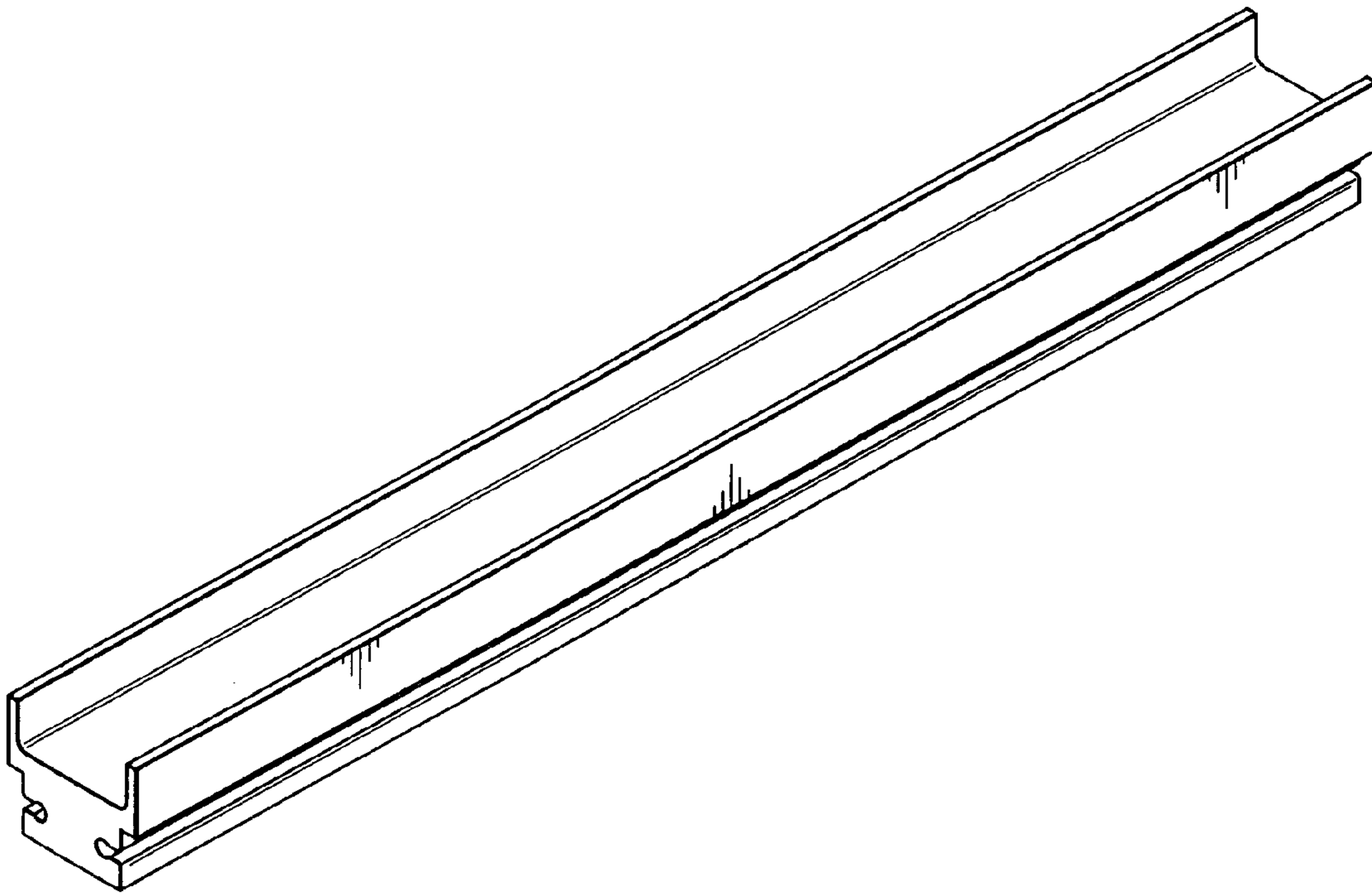


FIG. 4

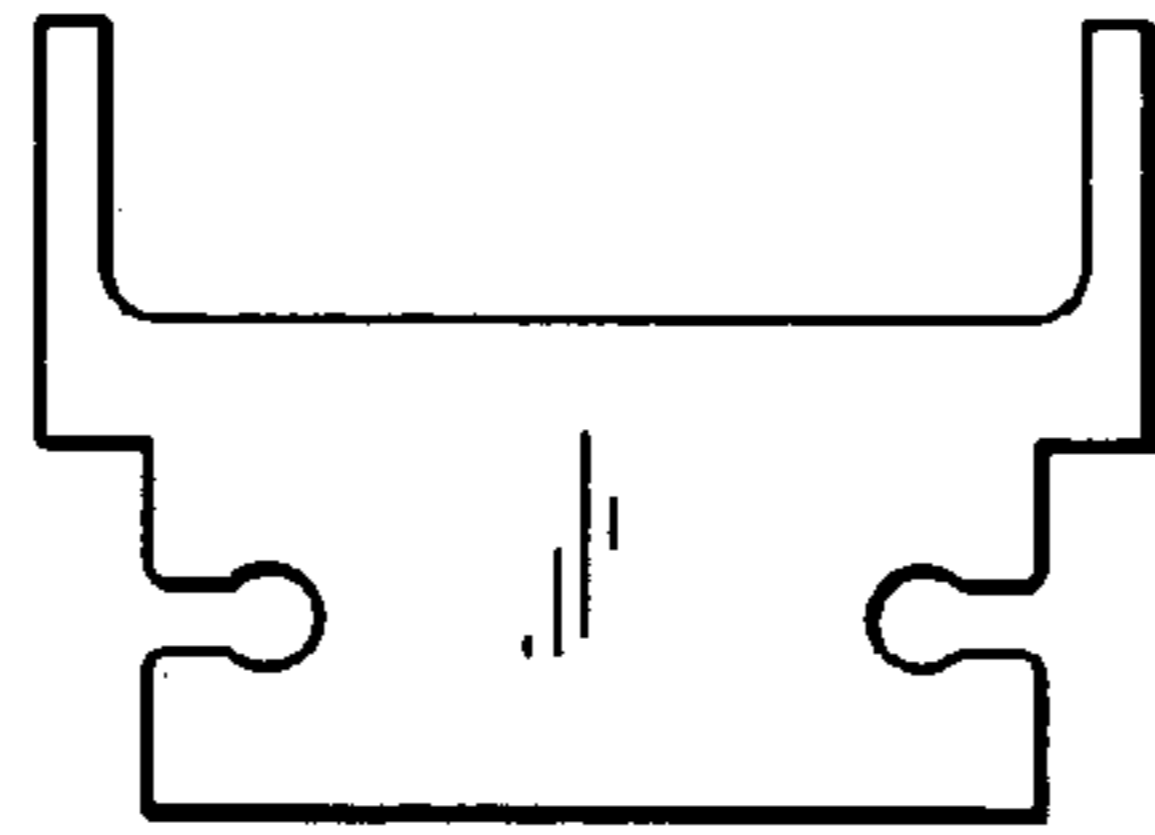


FIG. 5

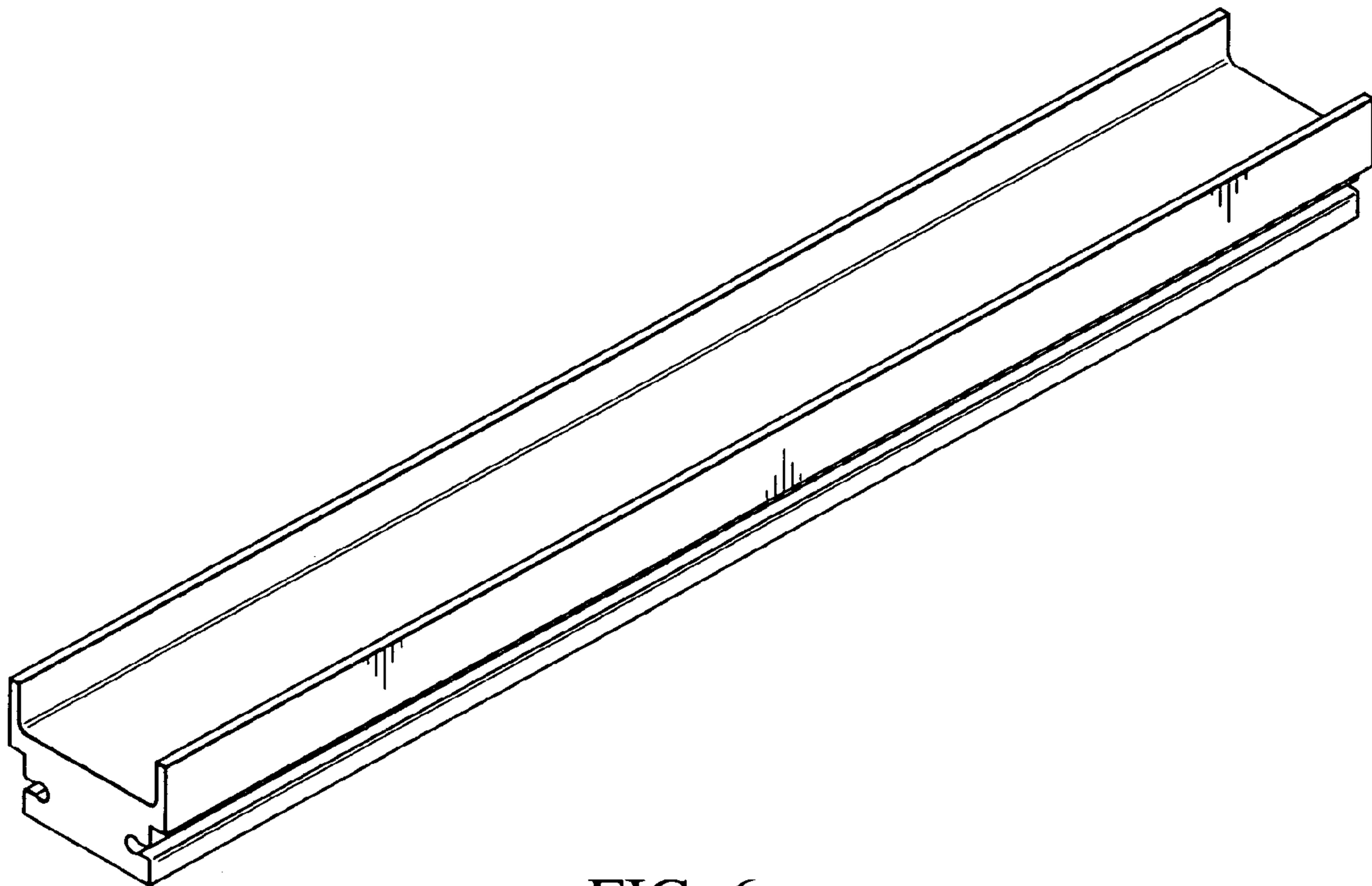


FIG. 6