



US00D547877S

(12) **United States Design Patent**  
**Walker**

(10) **Patent No.:** **US D547,877 S**  
(45) **Date of Patent:** **\*\* Jul. 31, 2007**

(54) **TRIANGULAR CURVILINEAR SPA SHELL WITH STEPS**

(75) Inventor: **Victor Lee Walker**, Murrieta, CA (US)

(73) Assignee: **Dimension One Spas**, Vista, CA (US)

(\*\*) Term: **14 Years**

(21) Appl. No.: **29/218,273**

(22) Filed: **Nov. 29, 2004**

(51) **LOC (8) Cl.** ..... **24-02**

(52) **U.S. Cl.** ..... **D24/204**

(58) **Field of Classification Search** ..... D24/201,  
D24/204, 205; D23/277; 601/154-158; 4/541.1-541.6,  
4/547, 578.1, 579

See application file for complete search history.

(56) **References Cited**

**U.S. PATENT DOCUMENTS**

3,317,927 A	5/1967	Shields	
3,579,665 A	5/1971	Barker et al.	
3,736,599 A	6/1973	Kessler et al.	
3,869,736 A	3/1975	Valois et al.	
3,913,332 A	10/1975	Forsman	
3,974,605 A	8/1976	Beatty et al.	
4,055,922 A	11/1977	Ellington et al.	
D269,814 S	7/1983	Fishel et al.	
D271,137 S	* 10/1983	Kohler et al. ....	D24/204
D277,984 S	* 3/1985	Delgado et al. ....	D24/204
D284,890 S	* 7/1986	Delepine ....	D24/205
4,782,538 A	11/1988	Chisholm et al.	
4,847,926 A	7/1989	Laputka	
D319,313 S	* 8/1991	Battles et al. ....	D24/204
5,054,135 A	10/1991	Dallaire et al.	
5,186,351 A	2/1993	Gallo et al.	
D333,699 S	3/1993	Jacuzzi et al.	
5,325,644 A	7/1994	Cornelius	
5,333,325 A	8/1994	Levien et al.	
D387,870 S	12/1997	Larsen	

D412,973 S	* 8/1999	Donnelly .....	D23/277
6,094,877 A	8/2000	White	
6,226,938 B1	5/2001	Hodak	
6,324,707 B1	12/2001	Larsen et al.	
6,349,427 B1	2/2002	Bergstrom	
D454,643 S	3/2002	Gibson et al.	
6,405,386 B1	6/2002	Chang	
D484,607 S	12/2003	Walker et al.	
6,775,863 B2	* 8/2004	Hutchings .....	4/541.1
D495,802 S	9/2004	Walker et al.	
D499,466 S	* 12/2004	Jacuzzi et al. ....	D23/277
2004/0078884 A1	4/2004	Pugliese, Jr. et al.	

\* cited by examiner

*Primary Examiner*—Ian Simmons

*Assistant Examiner*—Melanie Levy

(74) *Attorney, Agent, or Firm*—Fish & Richardson P.C.

(57) **CLAIM**

The ornamental design for a triangular curvilinear spa shell with steps, as shown and described.

**DESCRIPTION**

This application is related to U.S. application Ser. No. 29/218,268, filed on the same day as this application, and entitled "triangular curvilinear spa shell".

FIG. 1 is a perspective view of the triangular curvilinear spa shell with steps.

FIG. 2 is a top view of the triangular curvilinear spa shell with steps.

FIG. 3 is a rear-view of the triangular curvilinear spa shell with steps.

FIG. 4 is a front-view of the triangular curvilinear spa shell with steps; and,

FIG. 5 is a side view of the triangular curvilinear spa shell with steps.

The broken lines are for illustrative purposes only and form no part of the claimed design.

**1 Claim, 2 Drawing Sheets**

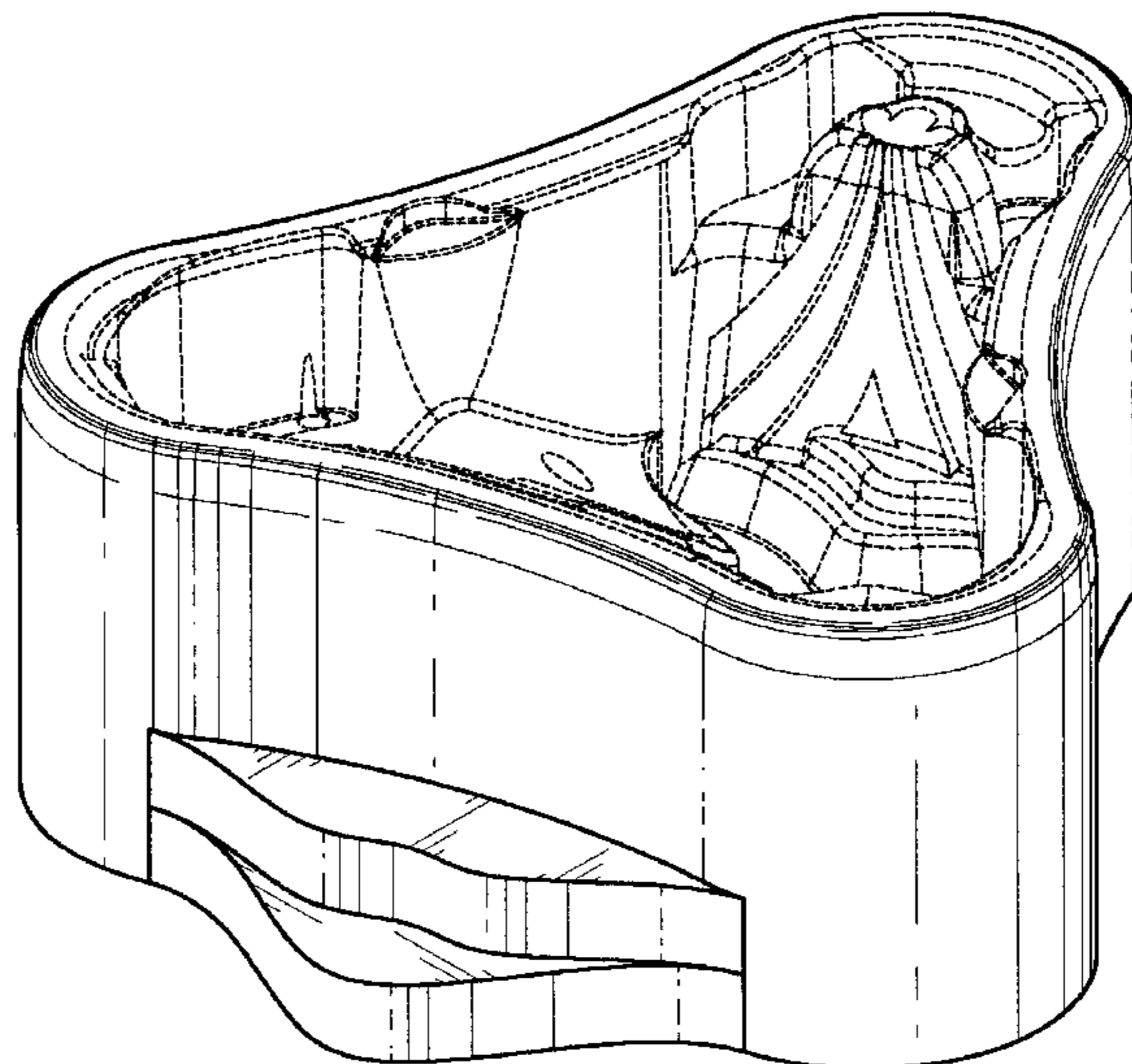


FIG. 1

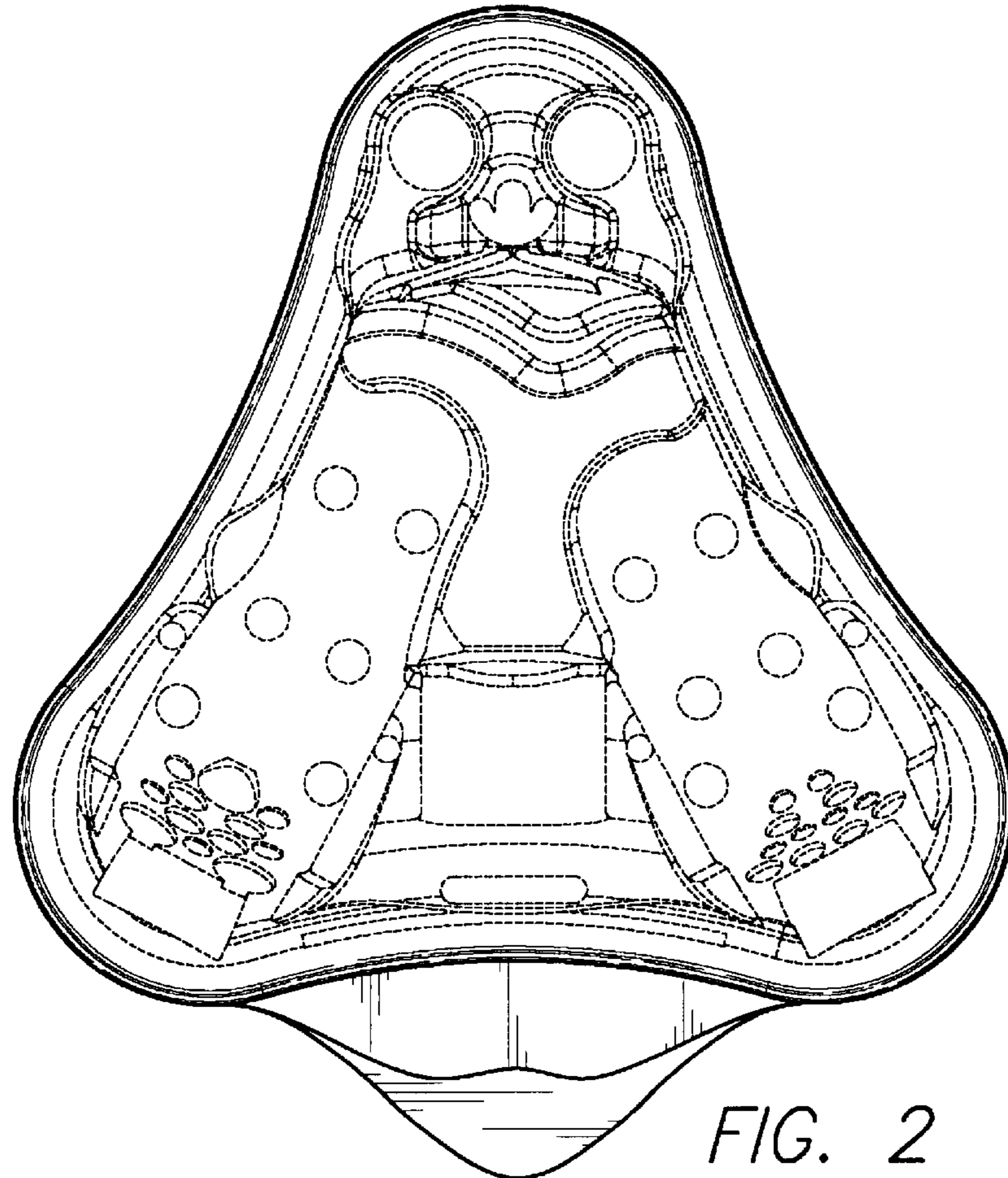
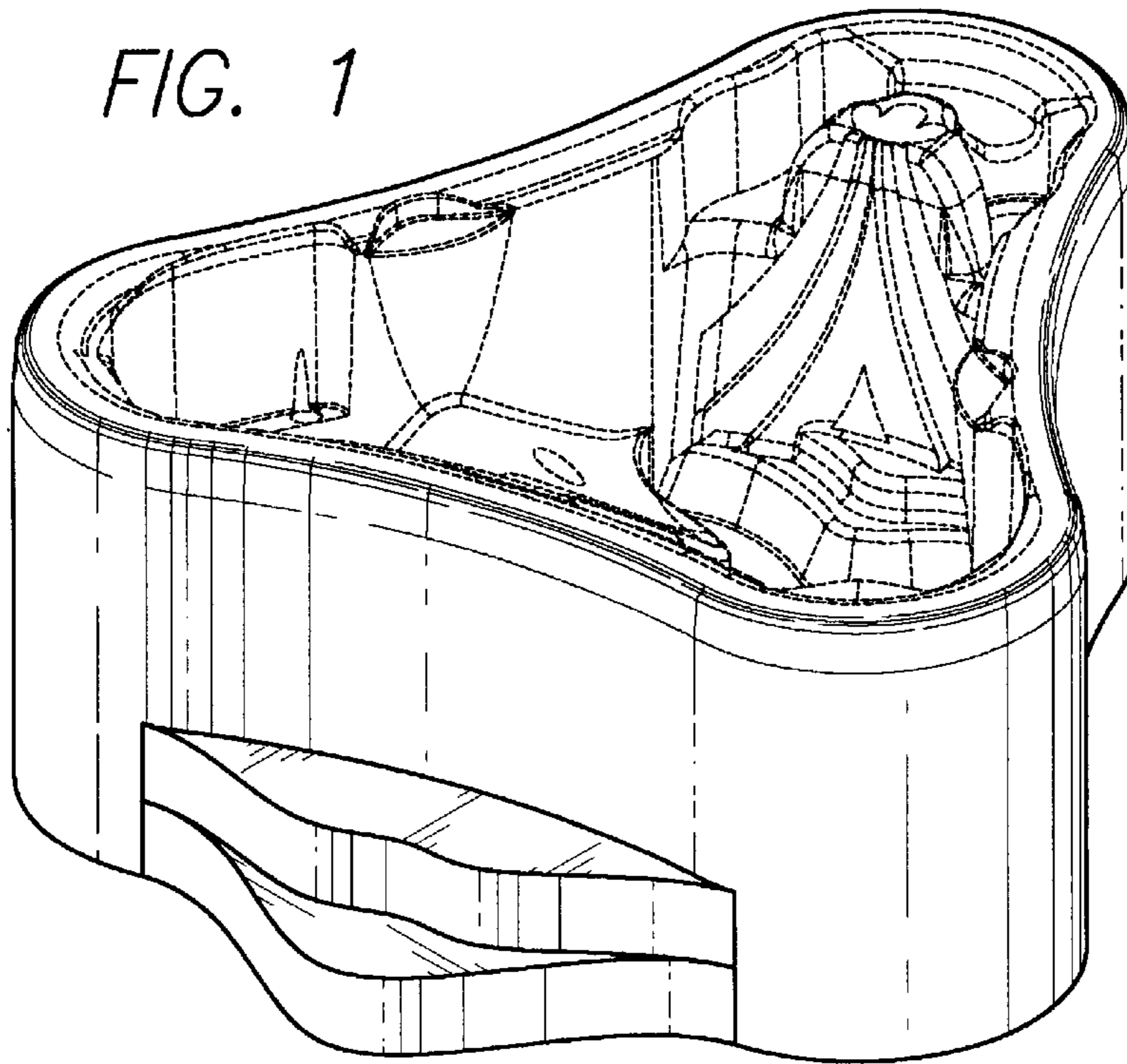


FIG. 2

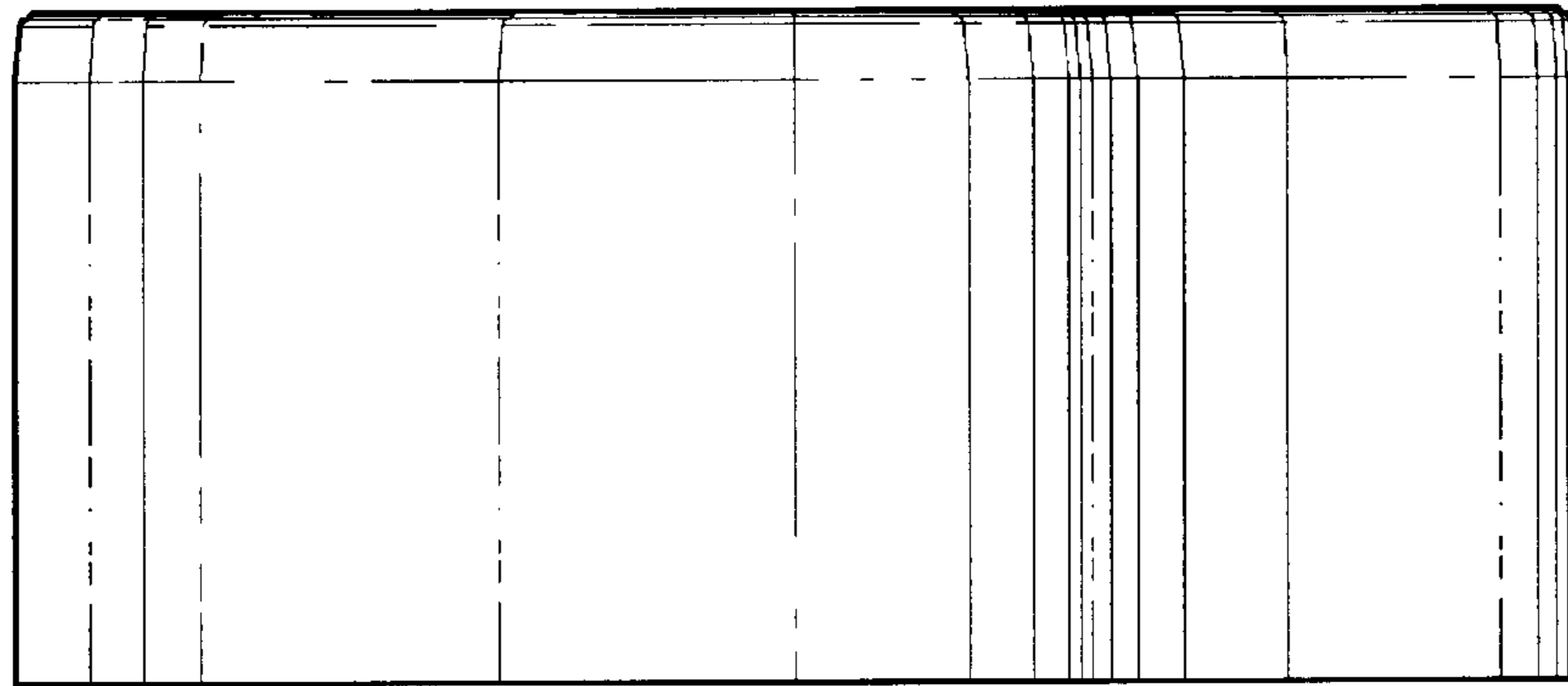


FIG. 3

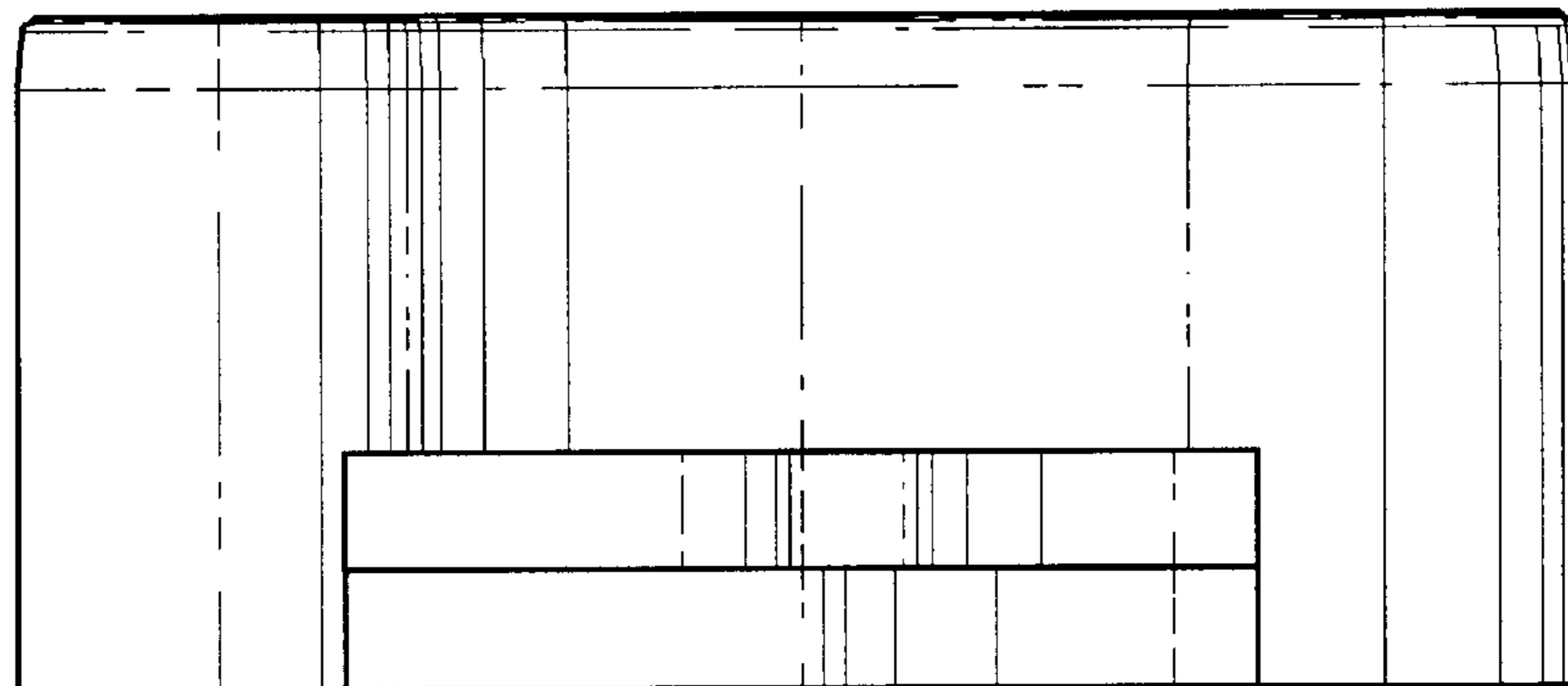


FIG. 4

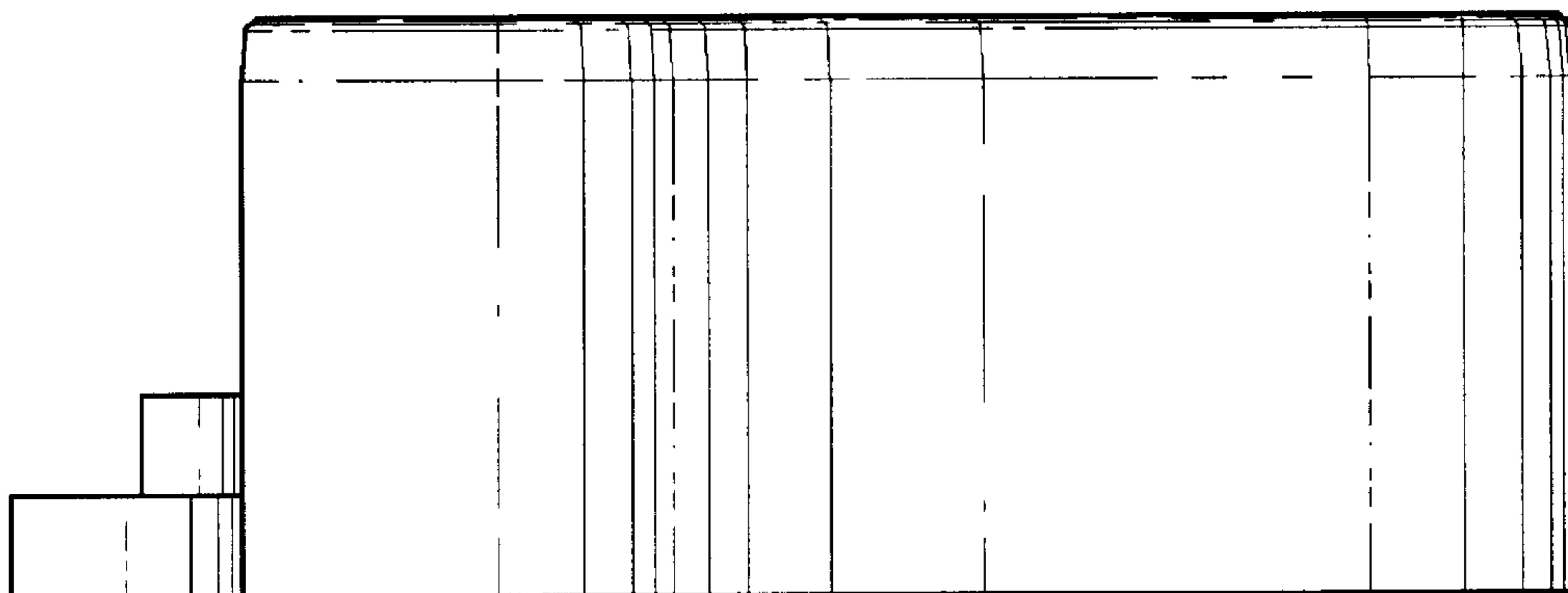


FIG. 5