

US00D547874S

(12) **United States Design Patent**  
**Horie et al.**

(10) **Patent No.:** **US D547,874 S**

(45) **Date of Patent:** **\*\* Jul. 31, 2007**

(54) **NIPPLE OF FEEDING BOTTLE**

(75) Inventors: **Kazumi Horie**, Tokyo (JP); **Yasuo Tamura**, Gifu (JP)

(73) Assignee: **Otsuka Pharmaceutical Co., Ltd.**, Tokyo (JP)

(\*\*) Term: **14 Years**

(21) Appl. No.: **29/259,605**

(22) Filed: **May 12, 2006**

(30) **Foreign Application Priority Data**

Dec. 21, 2005 (JP) ..... 2005-037586

(51) **LOC (8) Cl.** ..... **24-04**

(52) **U.S. Cl.** ..... **D24/194; D24/196**

(58) **Field of Classification Search** ..... D24/193-99,  
D24/215; D7/393-4; D9/436, 456, 526;  
215/11.1-11.6, 387, 392; 248/102-7; 606/234  
See application file for complete search history.

(56) **References Cited**

**U.S. PATENT DOCUMENTS**

2,269,223	A *	1/1942	Porthouse et al.	.....	215/11.1
D142,980	S *	11/1945	Bery	.....	D24/196
D160,940	S *	11/1950	Griesinger	.....	D24/196
2,812,764	A *	11/1957	Crisp	.....	215/11.1
2,989,961	A *	6/1961	Blanchett	.....	215/11.5
D211,434	S *	6/1968	Atkin	.....	D24/197
D214,148	S *	5/1969	Ritsi	.....	D24/196
D215,253	S *	9/1969	Barton	.....	D24/196
3,650,271	A *	3/1972	Pelli	.....	215/11.1
3,777,753	A *	12/1973	Kesselring et al.	.....	215/11.1
D230,326	S *	2/1974	Sofro	.....	D24/196
3,924,620	A *	12/1975	Seunevel	.....	215/11.1
D271,053	S *	10/1983	Chrones	.....	D24/196
D271,797	S *	12/1983	Chrones	.....	D24/196
4,505,398	A *	3/1985	Kesselring	.....	215/11.5
5,101,991	A *	4/1992	Morifuji et al.	.....	215/11.1
D330,938	S *	11/1992	Sakashita	.....	D24/196
5,190,174	A *	3/1993	Klag	.....	215/11.1
D382,059	S *	8/1997	Maya et al.	.....	D24/196

D384,748	S *	10/1997	Dunn	.....	D24/196
D421,306	S *	2/2000	Meyers et al.	.....	D24/197
6,032,810	A *	3/2000	Meyers et al.	.....	215/11.1
D441,870	S *	5/2001	Randolph	.....	D24/196
D463,567	S *	9/2002	Morano	.....	D24/196
D465,028	S *	10/2002	Renz	.....	D24/196
6,645,228	B2 *	11/2003	Renz	.....	606/236
D486,579	S *	2/2004	Dunn	.....	D24/196
D488,560	S *	4/2004	Renz et al.	.....	D24/196
D520,142	S *	5/2006	Mallet	.....	D24/196

**FOREIGN PATENT DOCUMENTS**

JP 1-34623 7/1989

(Continued)

*Primary Examiner*—Louis S. Zarfaz

*Assistant Examiner*—Susan E. Krakower

(74) *Attorney, Agent, or Firm*—Finnegan, Henderson, Farabow, Garrett & Dunner, L.L.P.

(57) **CLAIM**

The ornamental design for a nipple of feeding bottle, as shown and described.

**DESCRIPTION**

FIG. 1 is a front elevational view of a nipple of feeding bottle which is transparent showing our new design;

FIG. 2 is a rear elevational view thereof;

FIG. 3 is a top plan view thereof;

FIG. 4 is a bottom plan view thereof;

FIG. 5 is a right side elevational view thereof the left side being symmetrical therewith;

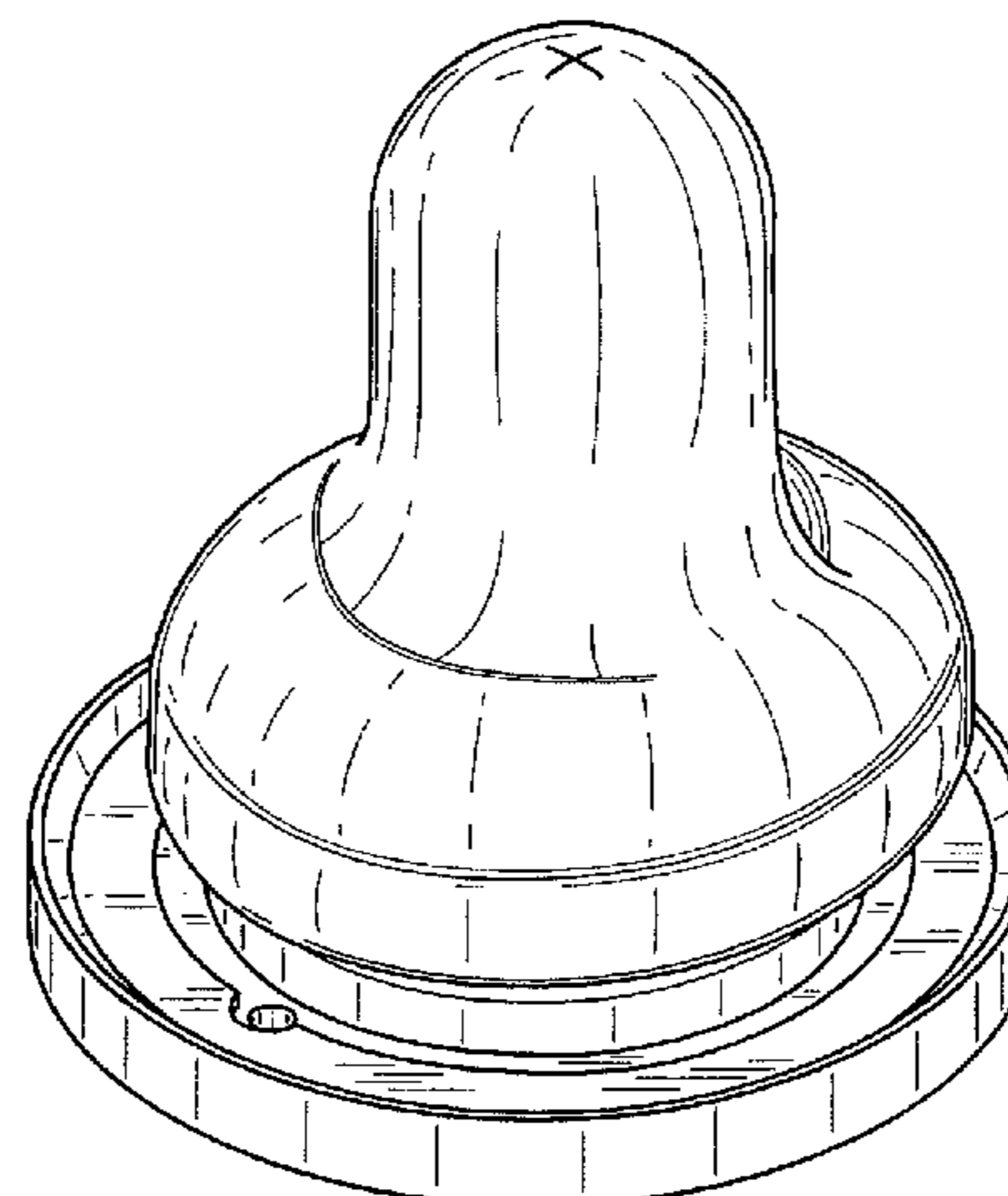
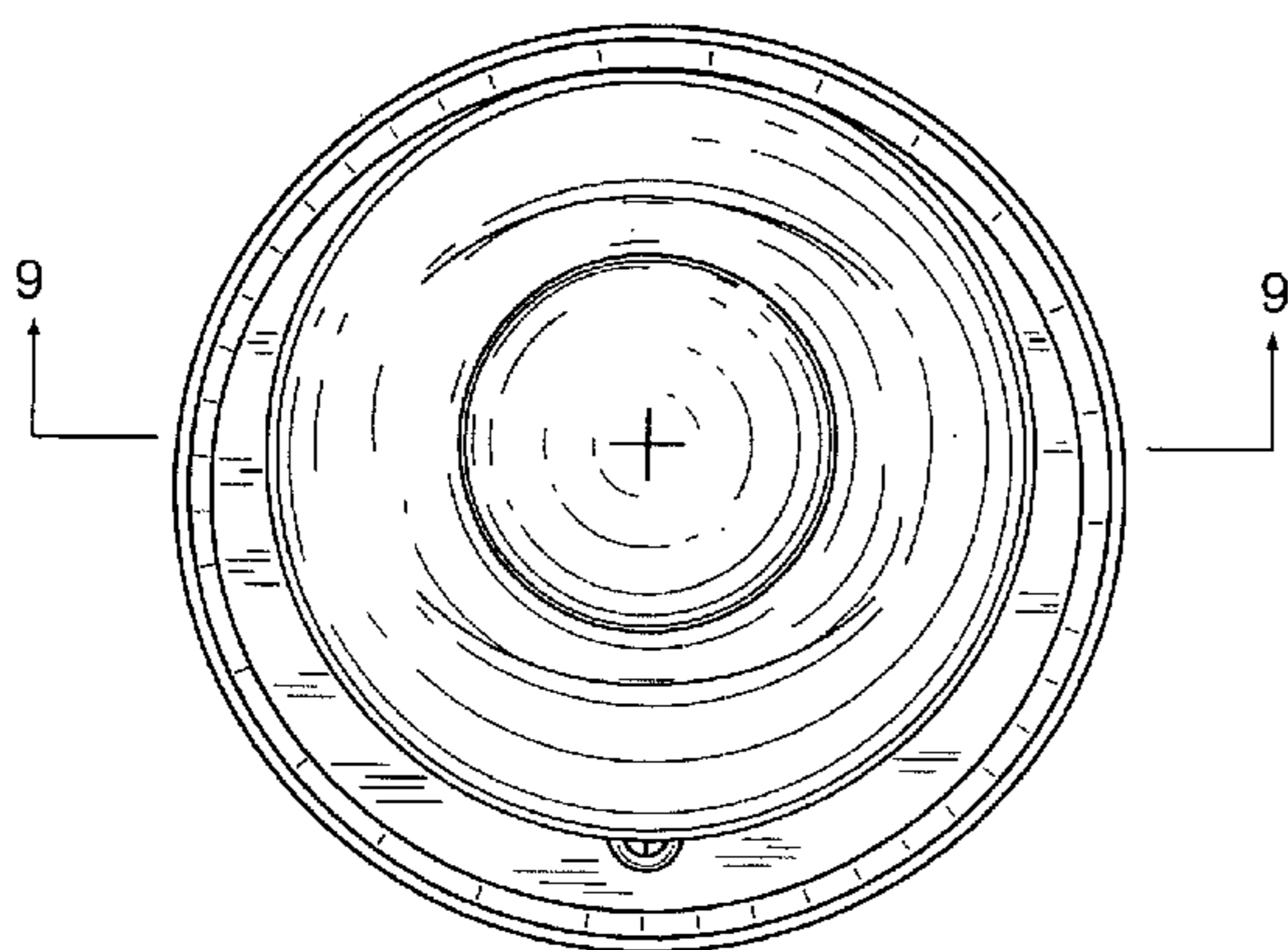
FIG. 6 is a perspective view thereof;

FIG. 7 is an enlarged sectional view taken along the line 7—7 of FIG. 1;

FIG. 8 is a sectional view taken along the line 8—8 of FIG. 1; and,

FIG. 9 is a sectional view taken along the line 9—9 of FIG. 3.

**1 Claim, 5 Drawing Sheets**

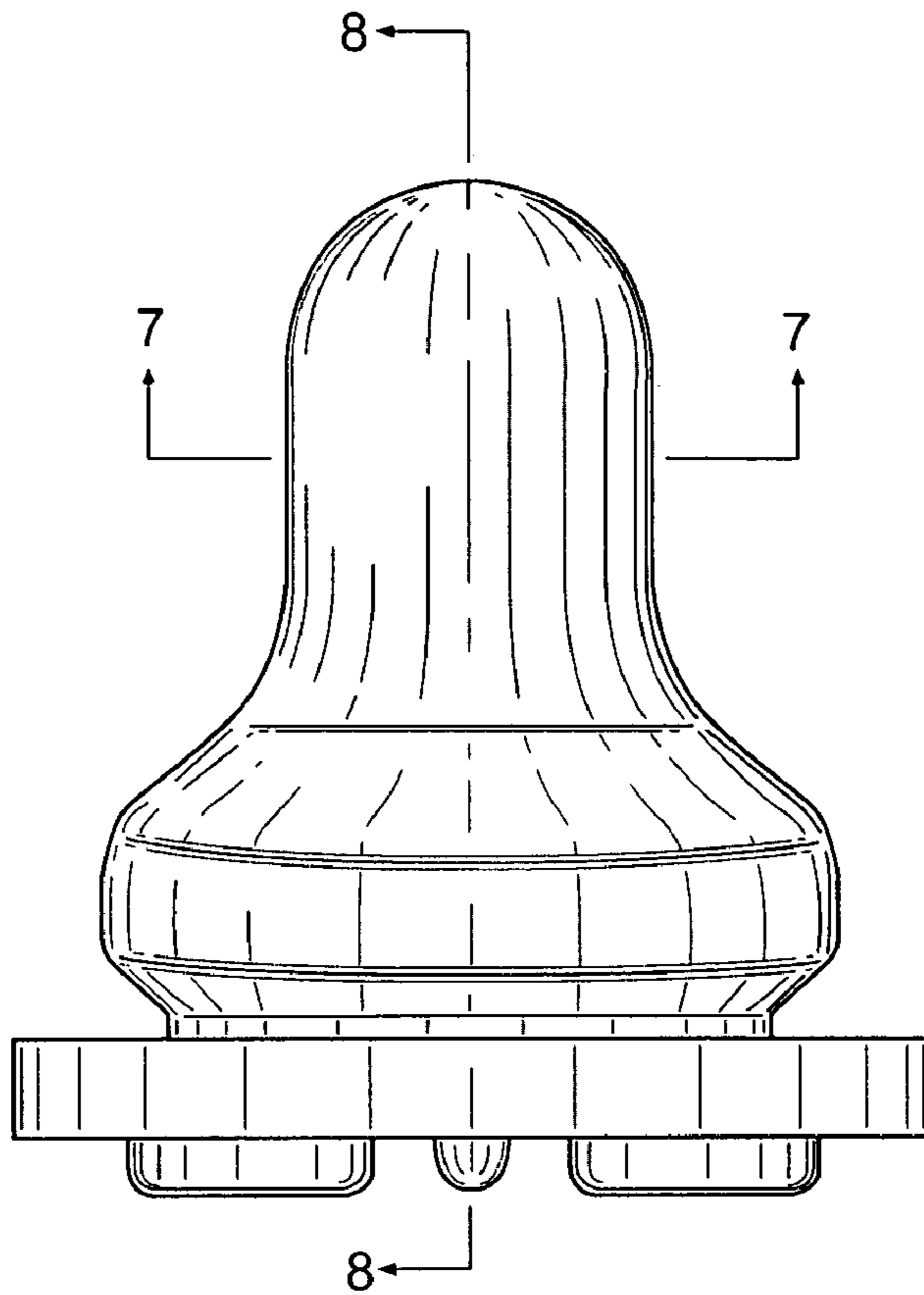


# US D547,874 S

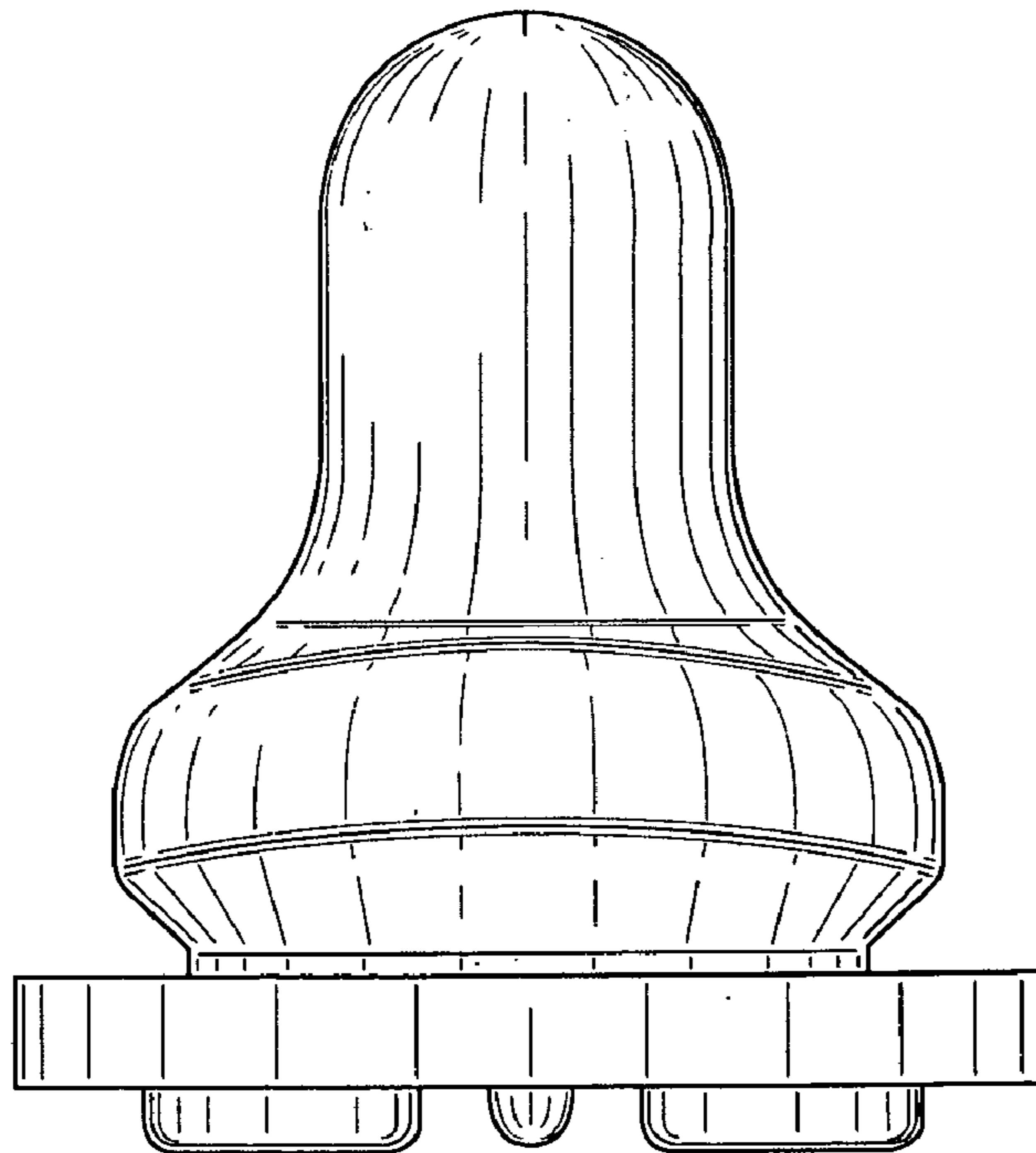
Page 2

---

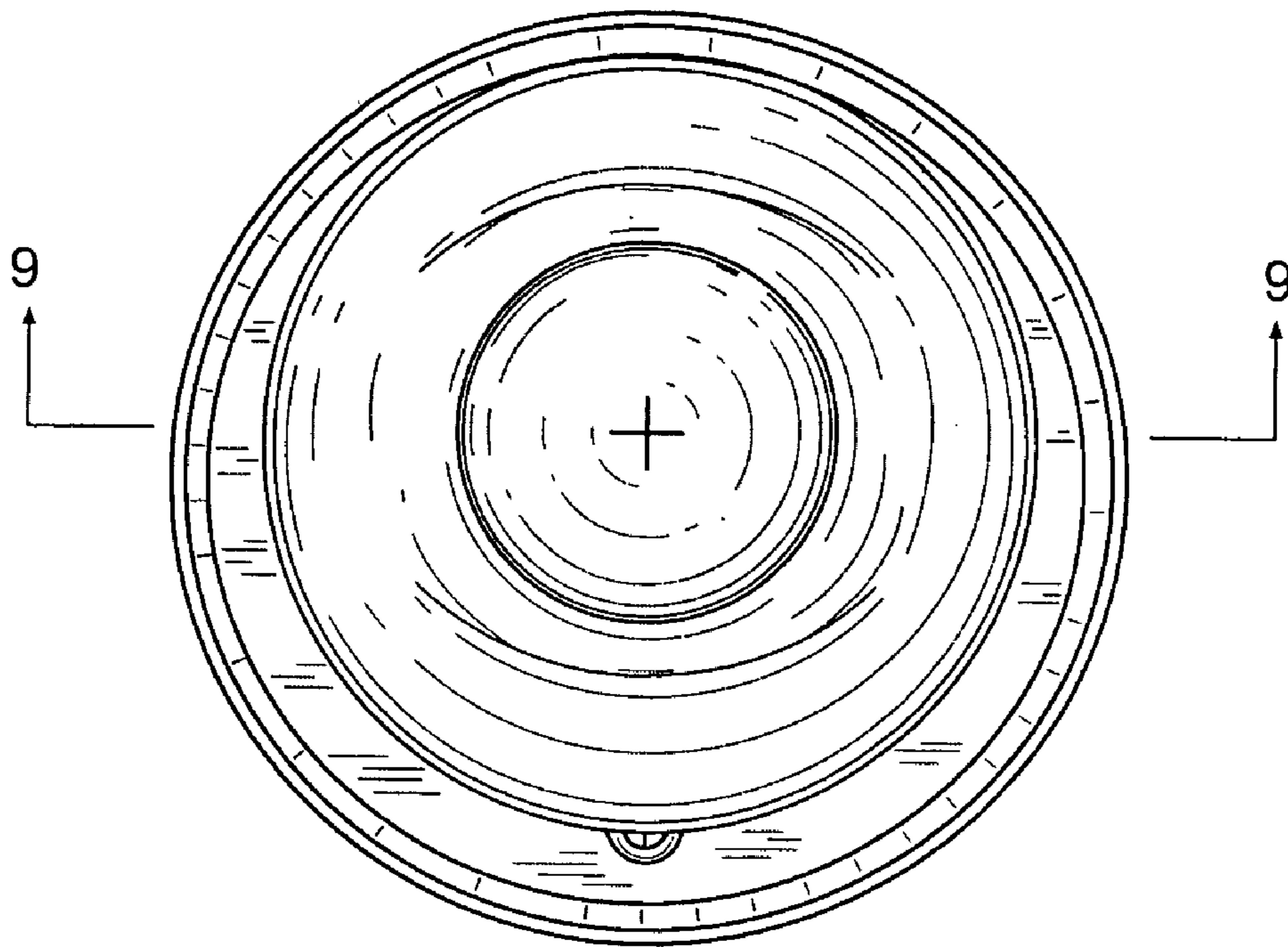
FOREIGN PATENT DOCUMENTS					
			JP	2001-299877	10/2001
			JP	1165531	2/2003
			JP	1165532	2/2003
			JP	2004-113549	4/2004
JP	5-84279	4/1993			
JP	5-115535	5/1993			
JP	2622598	6/1997			
JP	10-155879	6/1998			
JP	2000-288	1/2000			
			* cited by examiner		



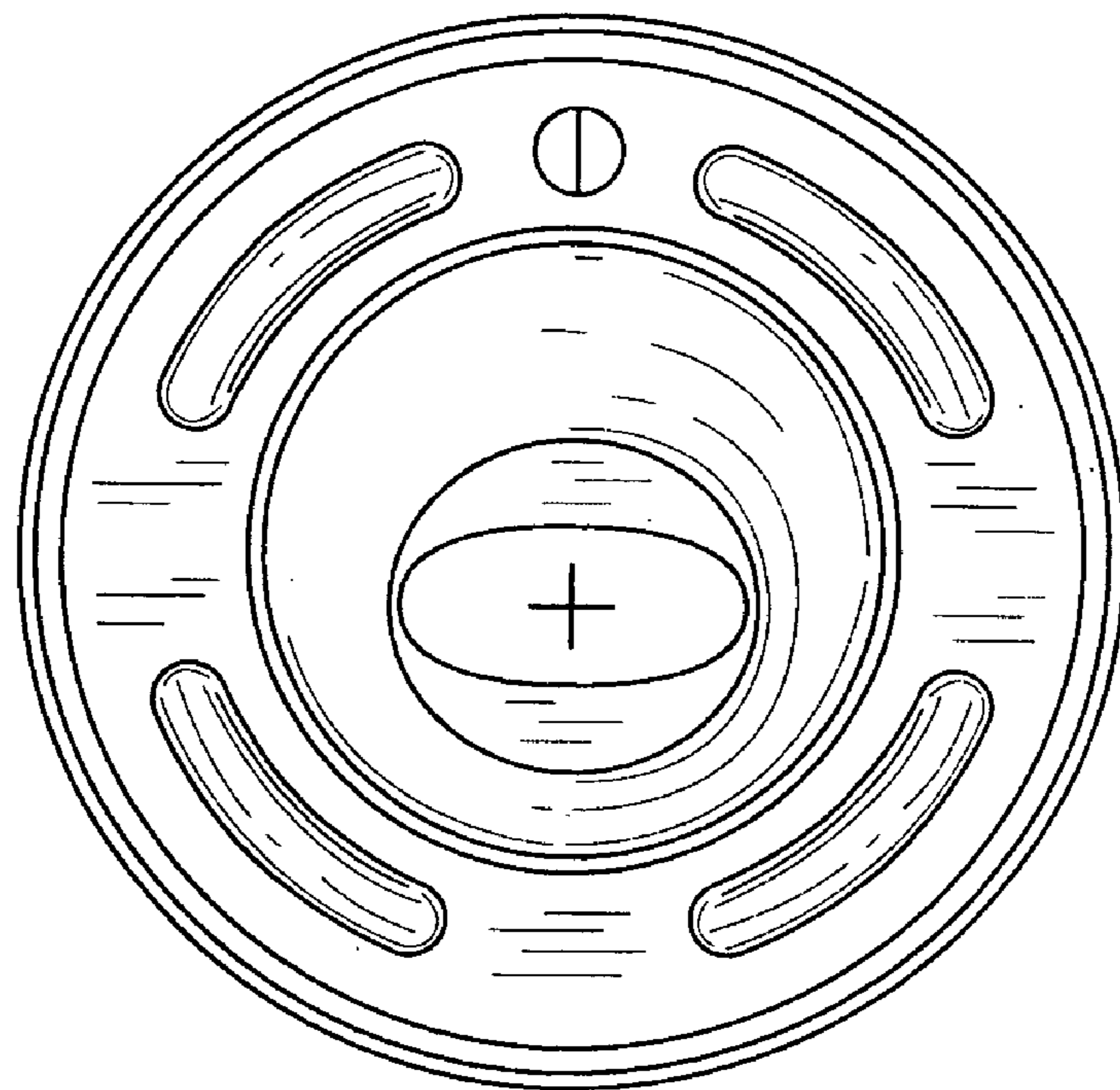
**FIG. 1**



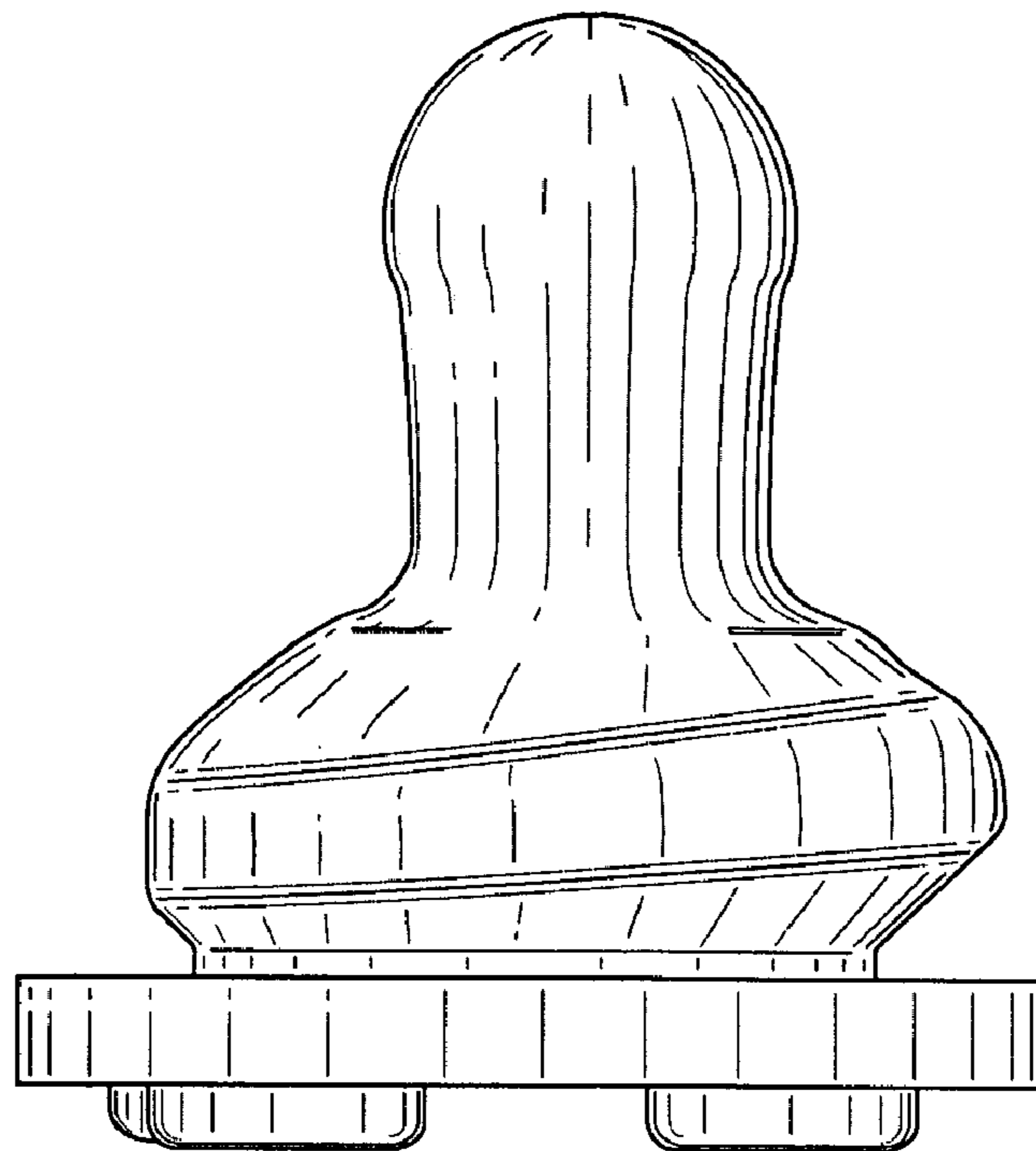
**FIG. 2**



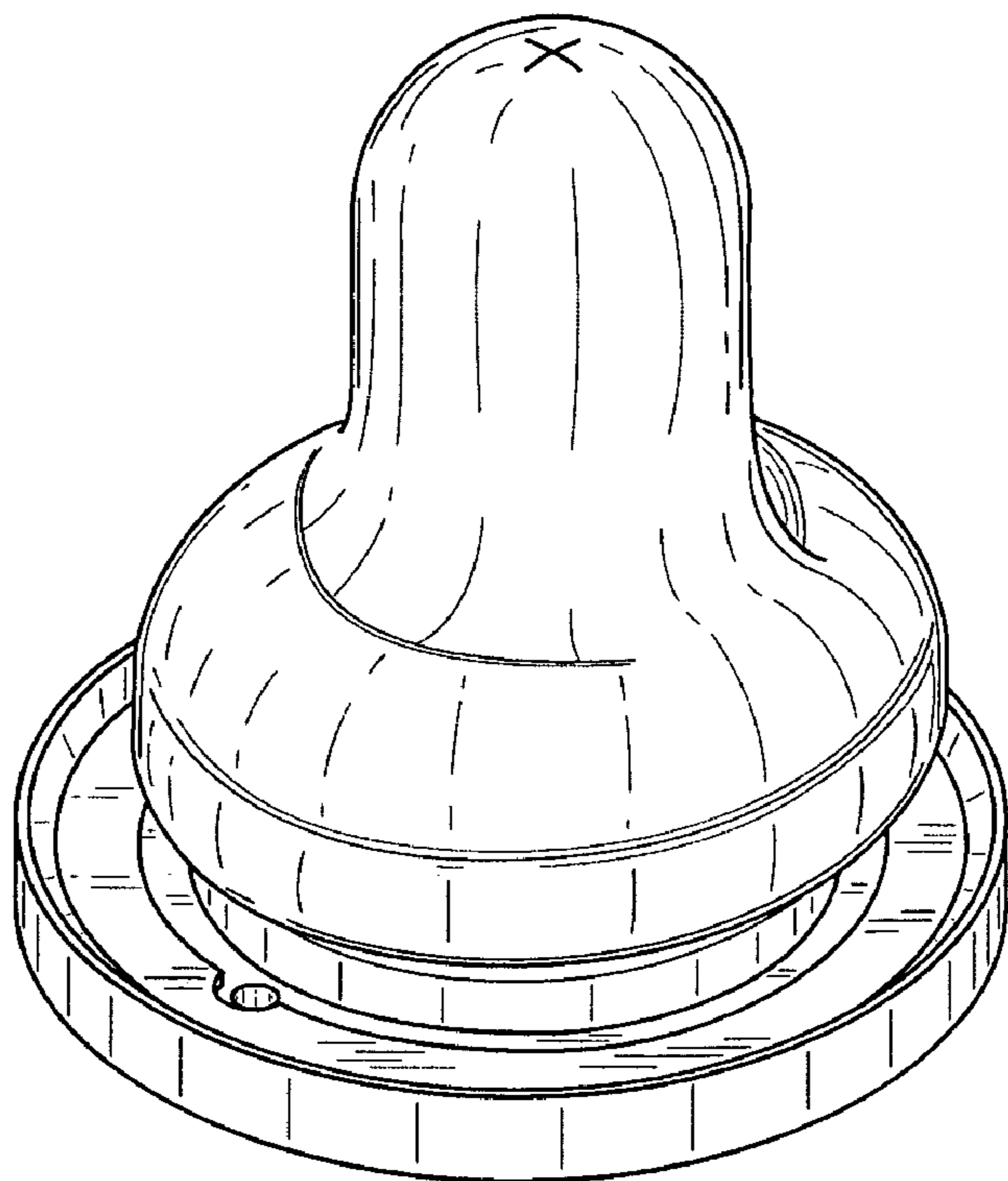
**FIG. 3**



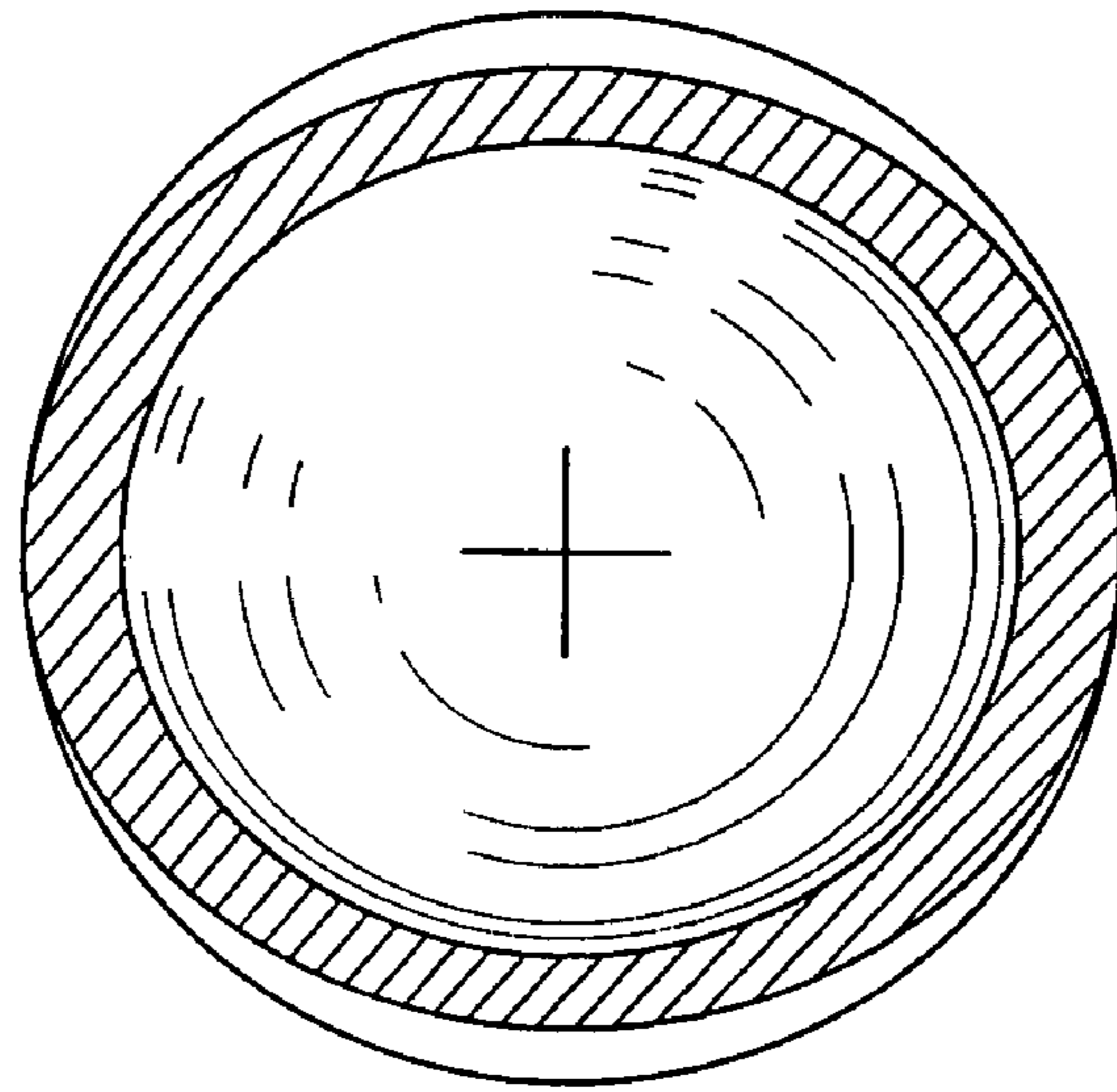
**FIG. 4**



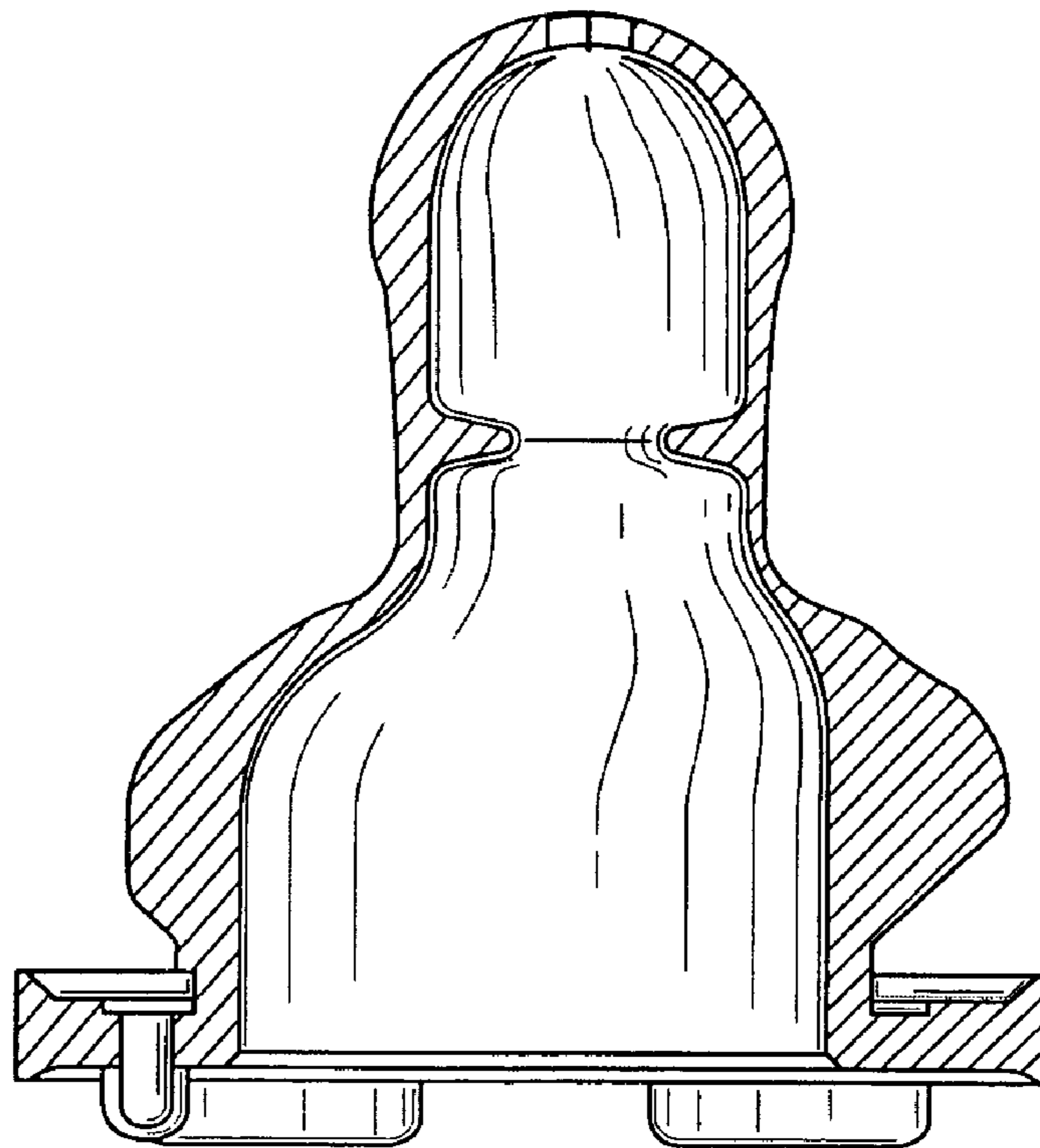
**FIG. 5**



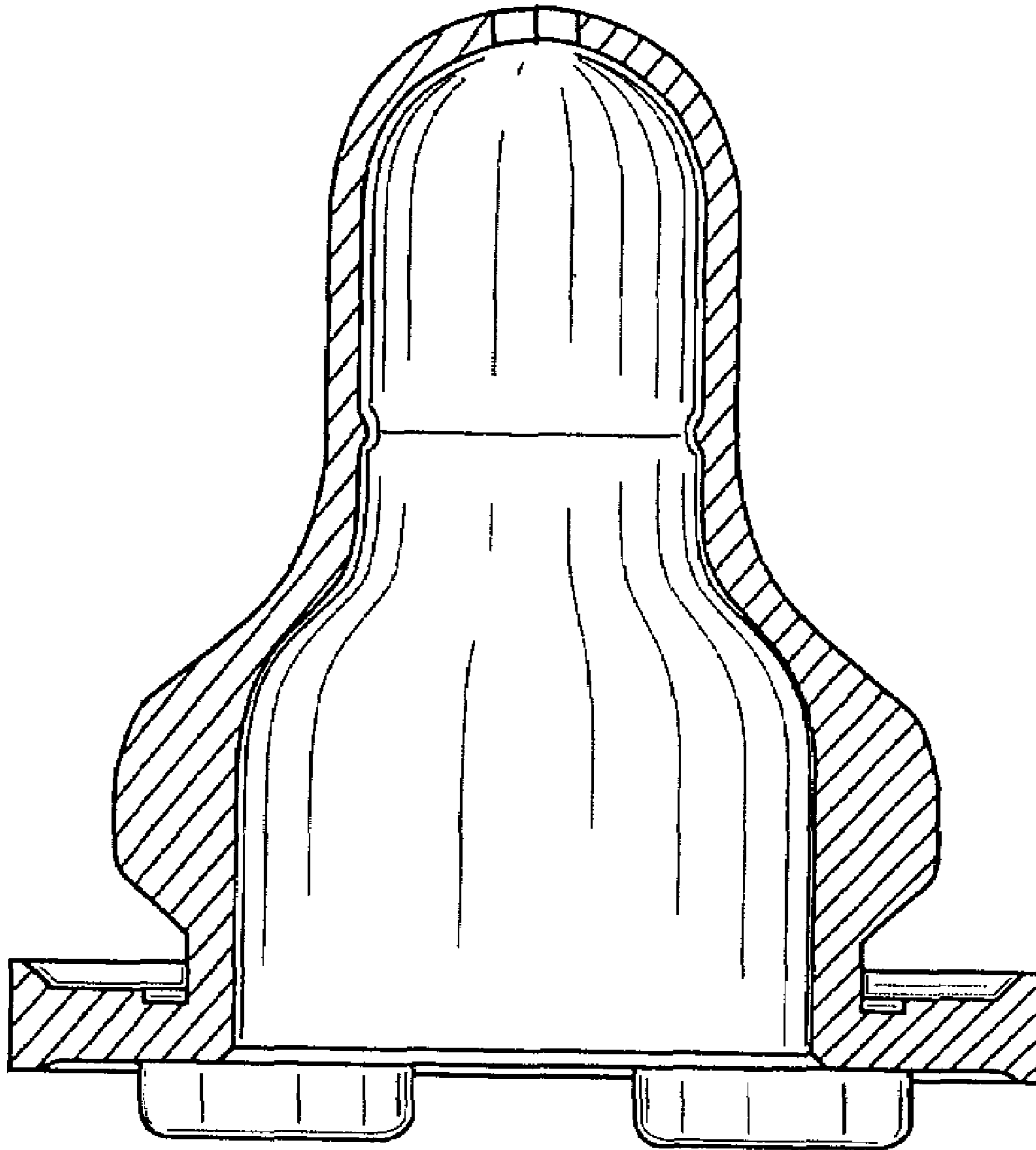
**FIG. 6**



**FIG. 7**



**FIG. 8**



**FIG. 9**