



US00D547867S

(12) **United States Design Patent** (10) **Patent No.:** **US D547,867 S**
Malis et al. (45) **Date of Patent:** **** Jul. 31, 2007**

(54) **SURGICAL INSTRUMENT HANDLE**

(75) Inventors: **Jerry L. Malis**, King of Prussia, PA (US); **Anthony John Groch**, Mantua, NJ (US); **Robert A. Acorcey**, Cherry Hill, NJ (US)

(73) Assignee: **Synergetics USA, Inc.**, King of Prussia, PA (US)

(**) Term: **14 Years**

(21) Appl. No.: **29/246,472**

(22) Filed: **Apr. 17, 2006**

(51) **LOC (8) Cl.** **24-02**

(52) **U.S. Cl.** **D24/144**

(58) **Field of Classification Search** D24/144, D24/112, 133, 147; D13/138.1; 606/39, 606/37, 34, 42, 45, 49

See application file for complete search history.

(56) **References Cited**

U.S. PATENT DOCUMENTS

- 2,377,540 A 6/1945 Costa
- 3,234,356 A 2/1966 Babb
- 3,526,750 A 9/1970 Siegel
- 3,647,584 A 3/1972 Duffy
- 3,679,500 A 7/1972 Kubo et al.
- 3,708,295 A 1/1973 Schumacher
- 3,738,879 A 6/1973 Siemens
- 3,813,310 A 5/1974 Droege et al.
- 3,839,108 A 10/1974 Leinkram
- 3,901,242 A 8/1975 Storz
- 3,920,021 A 11/1975 Hildebrandt
- 3,959,527 A 5/1976 Droege
- 3,970,088 A 7/1976 Morrison
- 3,987,795 A 10/1976 Morrison
- 4,043,342 A 8/1977 Morrison, Jr.
- 4,051,855 A 10/1977 Schneiderman
- 4,060,087 A 11/1977 Hildebrandt et al.

- 4,074,718 A 2/1978 Morrison, Jr.
- 4,116,198 A 9/1978 Roos
- 4,161,950 A 7/1979 Doss et al.
- 4,202,337 A 5/1980 Hren et al.
- 4,228,800 A 10/1980 Degler, Jr. et al.
- 4,232,676 A 11/1980 Herczog
- 4,248,231 A 2/1981 Herczog et al.
- 4,269,174 A 5/1981 Adair
- 4,301,802 A 11/1981 Poler
- 4,380,876 A 4/1983 Strassburg

(Continued)

FOREIGN PATENT DOCUMENTS

DE 2525982 12/1976

(Continued)

Primary Examiner—Ian Simmons

Assistant Examiner—Christopher Lee

(74) *Attorney, Agent, or Firm*—Akin Gump Strauss Hauer & Feld LLP

(57) **CLAIM**

The ornamental design for a surgical instrument handle, as shown and described.

DESCRIPTION

FIG. 1 is a top perspective of a surgical instrument handle in accordance with my new design;

FIG. 2 is a right side elevational view thereof;

FIG. 3 is a left side elevational view thereof;

FIG. 4 is a bottom plan view thereof;

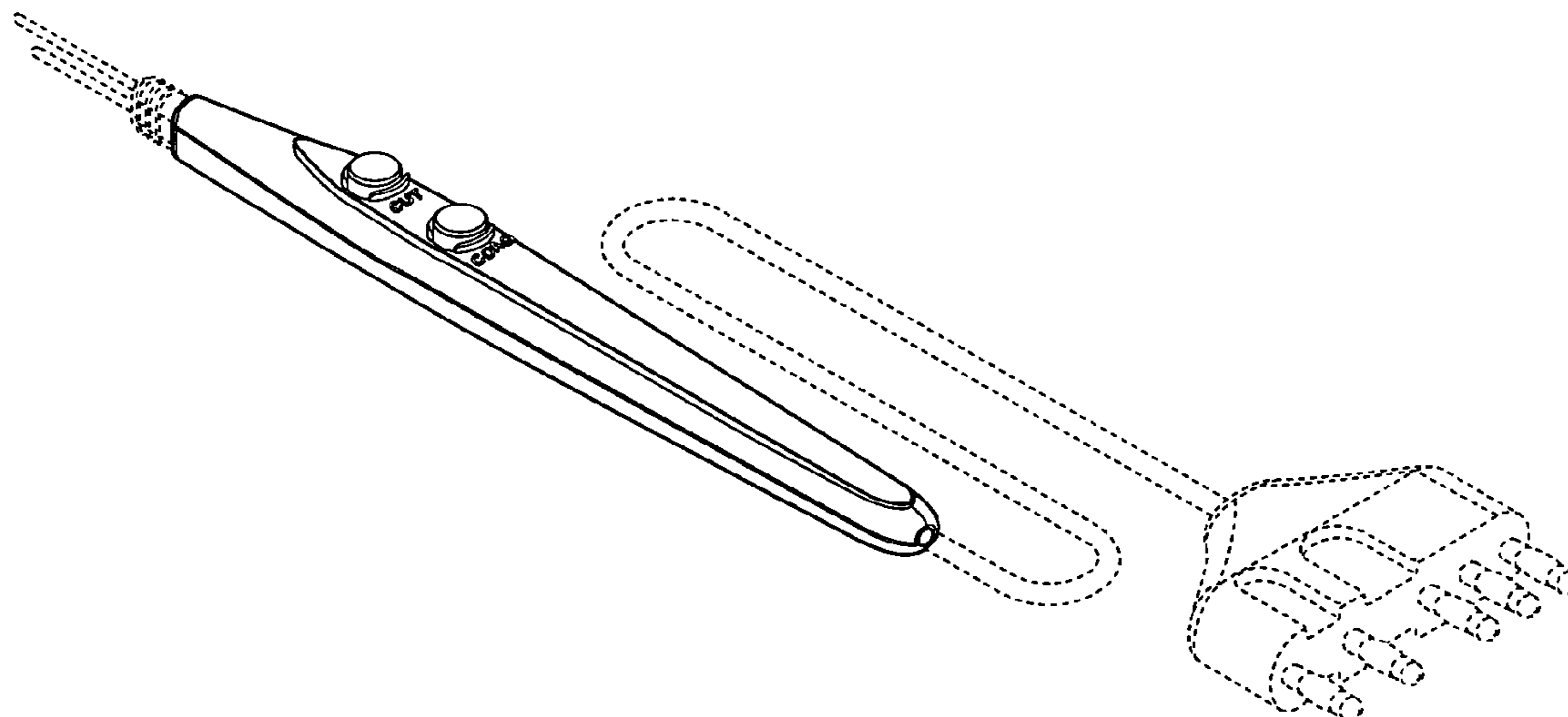
FIG. 5 is a top plan view thereof;

FIG. 6 is a rear elevation view thereof; and,

FIG. 7 is a front elevation view thereof.

The broken lines in the figures are for illustrative purposes only and form no part of the claimed design.

1 Claim, 3 Drawing Sheets



US D547,867 S

Page 2

U.S. PATENT DOCUMENTS

4,482,426 A	11/1984	Maynard et al.	5,281,216 A	1/1994	Klicek
4,532,924 A	8/1985	Auth et al.	5,282,799 A	2/1994	Rydell
4,548,207 A	10/1985	Reimels	5,290,285 A	3/1994	Kirwan, Jr.
4,578,318 A	3/1986	Schoch et al.	5,290,286 A	3/1994	Parins
4,637,390 A	1/1987	Sorochenko	5,302,234 A	4/1994	Grace et al.
4,637,392 A	1/1987	Sorochenko	5,317,938 A	6/1994	de Juan, Jr. et al.
4,649,937 A	3/1987	DeHaan et al.	5,318,563 A	6/1994	Malis et al.
4,651,734 A	3/1987	Doss et al.	5,318,564 A	6/1994	Eggers
4,674,498 A	6/1987	Stasz	5,354,422 A	10/1994	Kato et al.
4,674,499 A	6/1987	Pao	5,383,876 A	1/1995	Nardella
4,684,438 A	8/1987	Lazzari	5,395,363 A *	3/1995	Billings et al. 606/41
4,686,980 A	8/1987	Williams et al.	5,437,665 A	8/1995	Munro
4,706,667 A	11/1987	Roos	5,451,224 A	9/1995	Goble et al.
4,711,239 A	12/1987	Sorochenko et al.	5,542,945 A	8/1996	Fritzs
4,711,800 A	12/1987	DiVincenzo	5,569,244 A	10/1996	Hahnen
4,765,331 A	8/1988	Petruzzini et al.	5,593,406 A	1/1997	Eggers et al.
4,802,476 A	2/1989	Noerenberg et al.	D393,067 S *	3/1998	Geary et al. D24/144
4,805,616 A	2/1989	Pao	5,733,283 A	3/1998	Malis et al.
4,818,962 A	4/1989	Molaine et al.	D402,030 S *	12/1998	Roberts et al. D24/144
4,823,791 A	4/1989	D'Amelio et al.	5,855,061 A	1/1999	Malis et al.
4,860,745 A	8/1989	Farin et al.	5,860,975 A	1/1999	Goble et al.
4,862,890 A	9/1989	Stasz et al.	5,895,386 A	4/1999	Odell et al.
4,876,110 A	10/1989	Blanch	5,913,856 A	6/1999	Chia et al.
4,905,691 A	3/1990	Rydell	5,984,919 A	11/1999	Hilal et al.
4,922,903 A	5/1990	Welch et al.	6,117,134 A	9/2000	Cunningham et al.
4,936,281 A	6/1990	Stasz	D441,077 S *	4/2001	Garito et al. D24/144
4,936,842 A	6/1990	D'Amelio et al.	6,355,034 B2	3/2002	Cosmescu
5,007,908 A	4/1991	Rydell	6,402,748 B1 *	6/2002	Schoenman et al. 606/45
5,009,656 A	4/1991	Reimels	2002/0058938 A1	5/2002	Cosmescu
5,013,312 A	5/1991	Parins et al.	2003/0125732 A1	7/2003	Goble
5,071,419 A	12/1991	Rydell et al.	2003/0130658 A1	7/2003	Goble
5,073,233 A	12/1991	Banks et al.	2005/0113818 A1 *	5/2005	Sartor et al. 606/34
5,084,045 A	1/1992	Helenowski			
5,089,002 A	2/1992	Kirwan, Jr.			
5,120,396 A	6/1992	Chen			
5,125,927 A	6/1992	Belanger			
5,171,311 A	12/1992	Rydell et al.			
5,192,280 A	3/1993	Parins			
5,197,964 A	3/1993	Parins			
5,269,782 A	12/1993	Sutter			

FOREIGN PATENT DOCUMENTS

DE	252284 A3	12/1987
DE	257348 A3	6/1988
EP	0280972 A1	9/1988
EP	0294063 A2	12/1988
JP	3123049	5/1991
WO	93/13719	7/1993

* cited by examiner

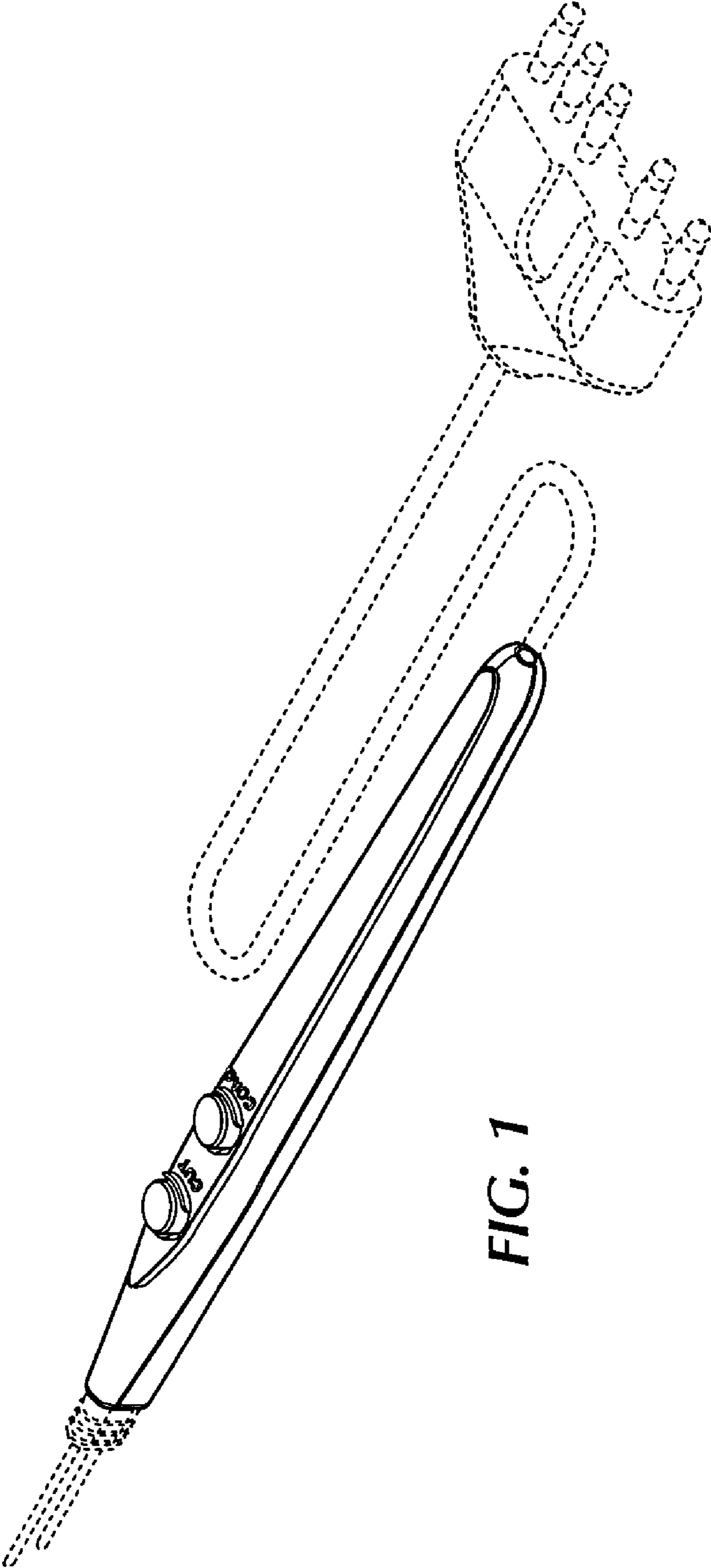


FIG. 1

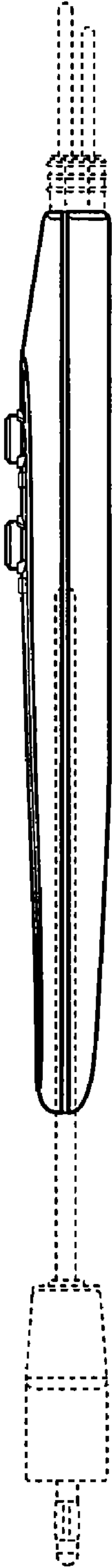


FIG. 2

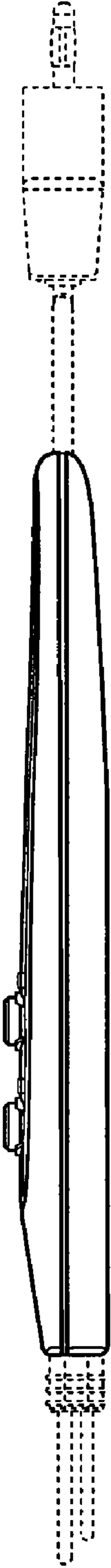


FIG. 3

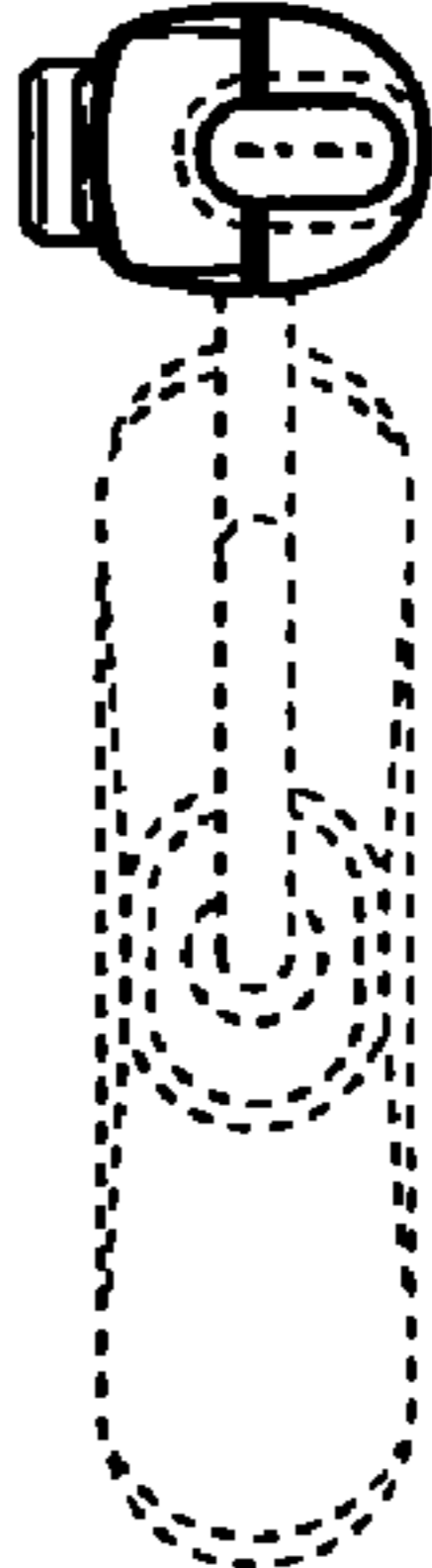


FIG. 7



FIG. 6

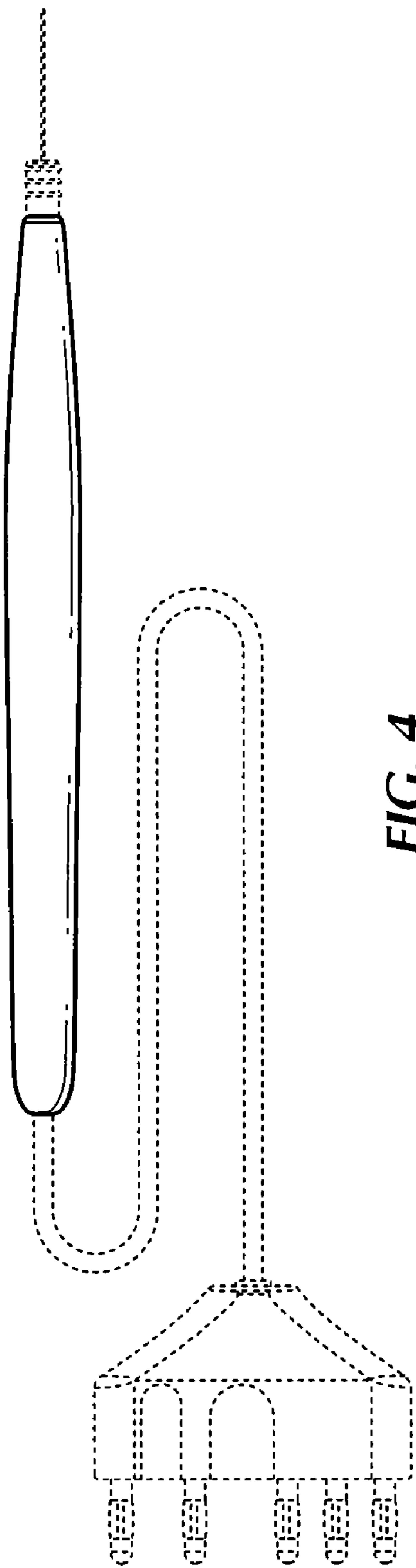


FIG. 4

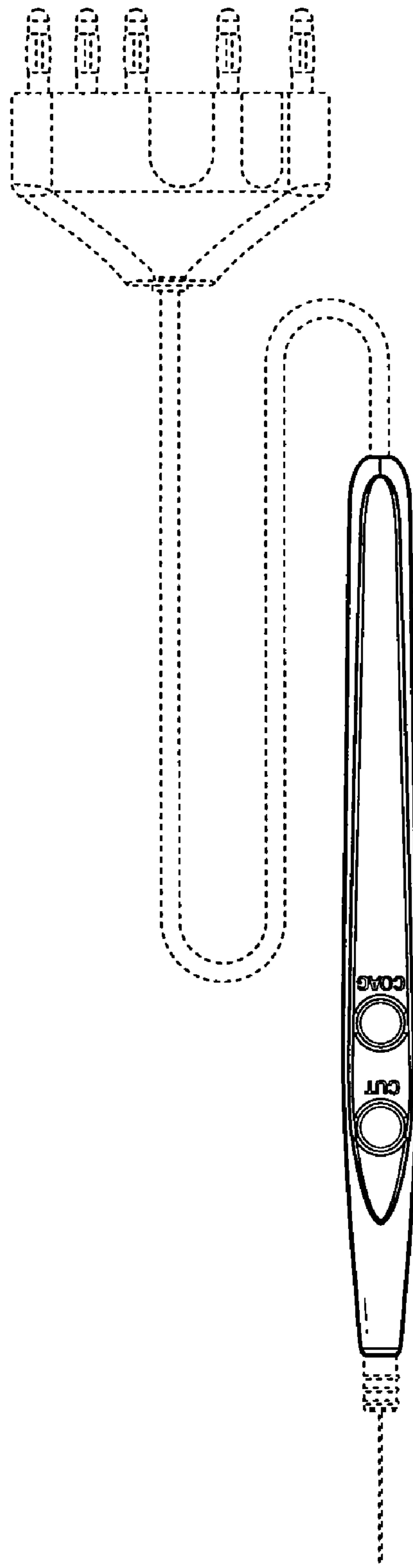


FIG. 5