



US00D547866S

(12) **United States Design Patent**
Malis

(10) **Patent No.:** **US D547,866 S**
(45) **Date of Patent:** **** Jul. 31, 2007**

(54) **ELECTROSURGICAL BIPOLAR CUTTING/COAGULATING INSTRUMENT**

(75) Inventor: **Jerry L. Malis**, King of Prussia, PA (US)

(73) Assignee: **Synergetics USA, Inc.**, Wilmington, DE (US)

(**) Term: **14 Years**

(21) Appl. No.: **29/239,183**

(22) Filed: **Sep. 27, 2005**

(51) **LOC (8) Cl.** **24-02**

(52) **U.S. Cl.** **D24/144**

(58) **Field of Classification Search** D24/143,
D24/144, 147, 133; D10/78, 80; D13/133;
439/354; 600/372

See application file for complete search history.

(56) **References Cited**

U.S. PATENT DOCUMENTS

D320,856 S	*	10/1991	Scheller	D24/144
D434,377 S	*	11/2000	Bussett et al.	D13/133
D441,077 S	*	4/2001	Garito et al.	D24/144
D509,797 S	*	9/2005	Milan	D13/133

* cited by examiner

Primary Examiner—Ian Simmons
Assistant Examiner—Christopher Lee
(74) *Attorney, Agent, or Firm*—Akin Gump Strauss Hauer & Feld LLP

(57) **CLAIM**

The ornamental design for an electrosurgical bipolar cutting/coagulating instrument, as shown and described.

DESCRIPTION

FIG. 1 is a top perspective view of an electrosurgical bipolar cutting/coagulating instrument, showing my new design;

FIG. 2 is a left side elevational view of the instrument of FIG. 1;

FIG. 3 is a right side elevational view of the instrument of FIG. 1;

FIG. 4 is a top plan view of the instrument of FIG. 1;

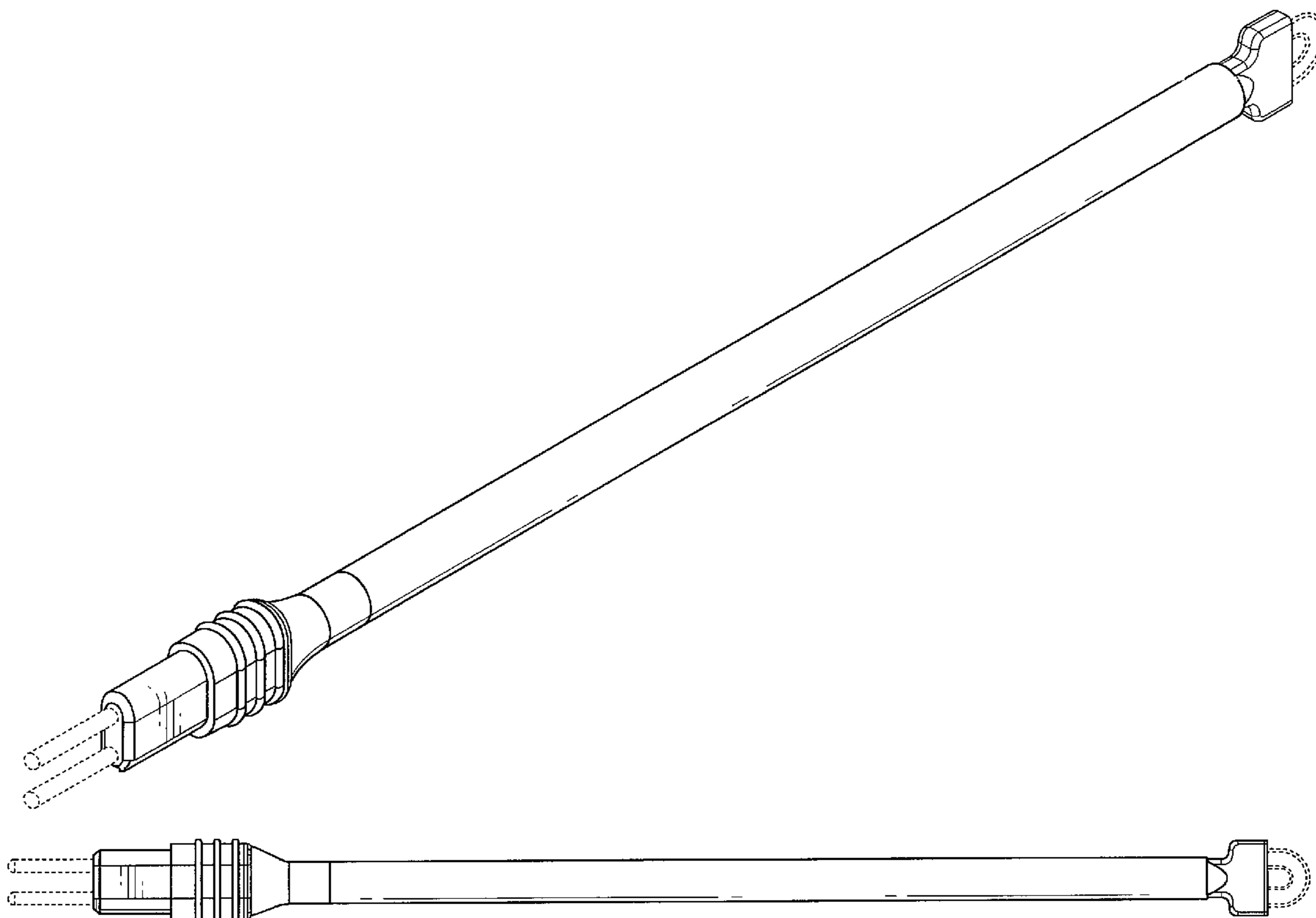
FIG. 5 is a bottom plan view of the instrument of FIG. 1;

FIG. 6 is a front elevational view of the instrument of FIG. 1; and,

FIG. 7 is a rear elevational view of the instrument of FIG. 1.

The broken lines in the figures are for illustrative purposes only and form no part of the claimed design.

1 Claim, 3 Drawing Sheets



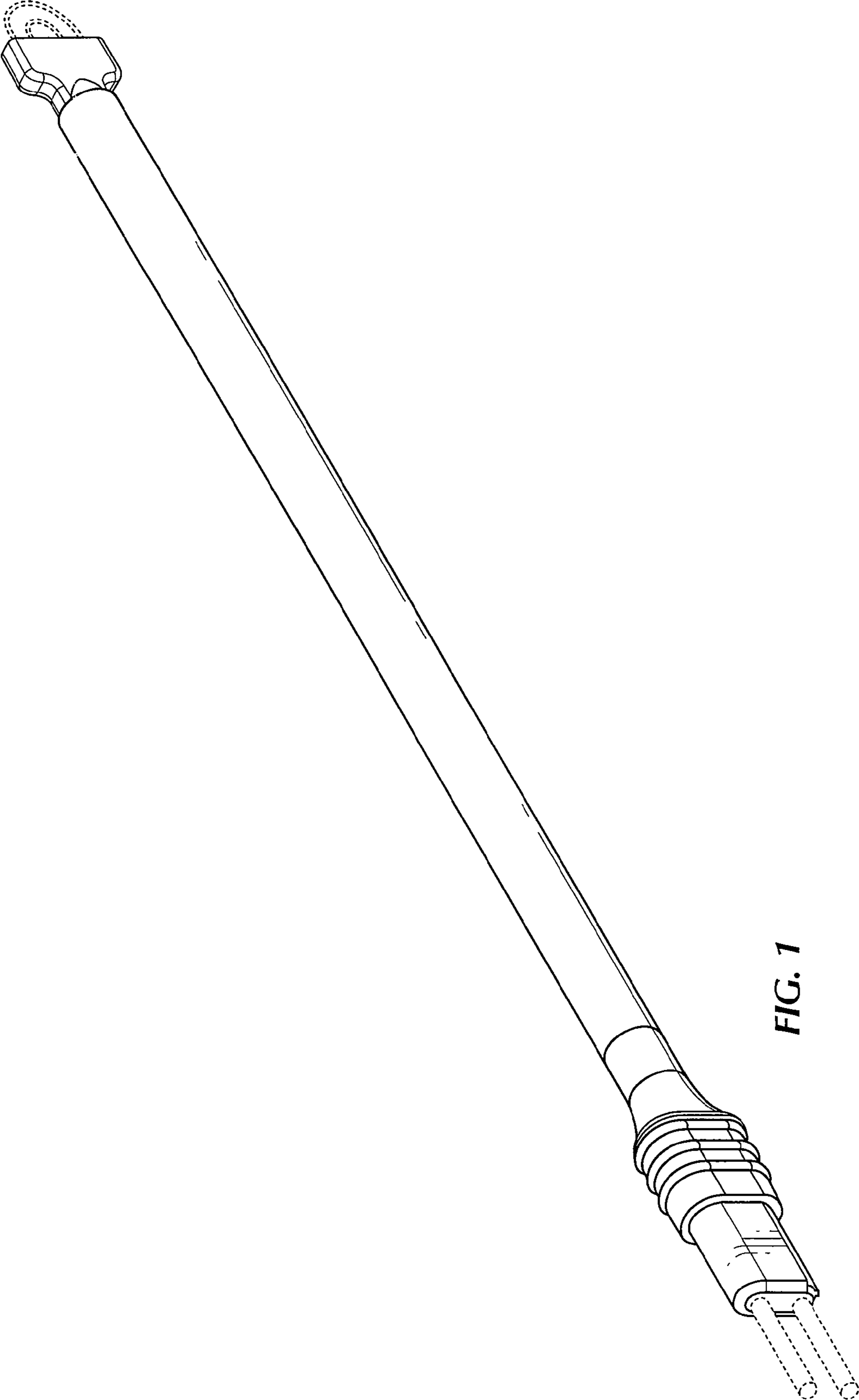


FIG. 1



FIG. 2

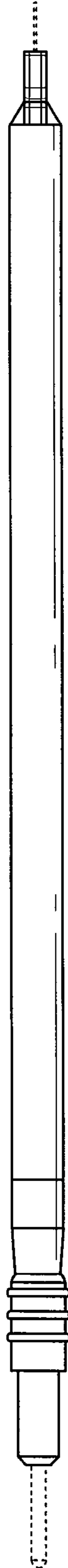


FIG. 3

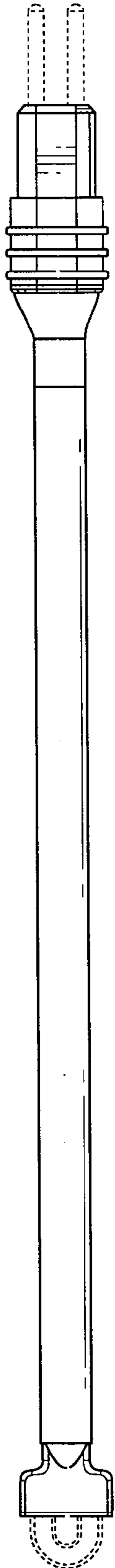


FIG. 4

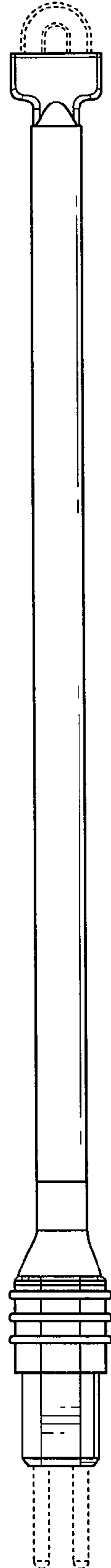


FIG. 5

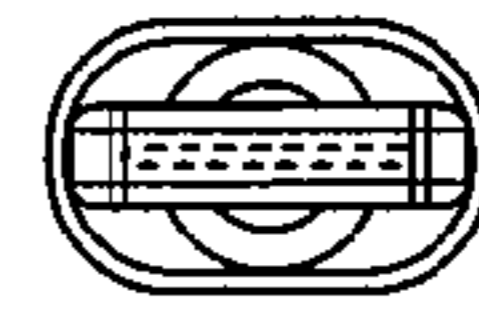


FIG. 7

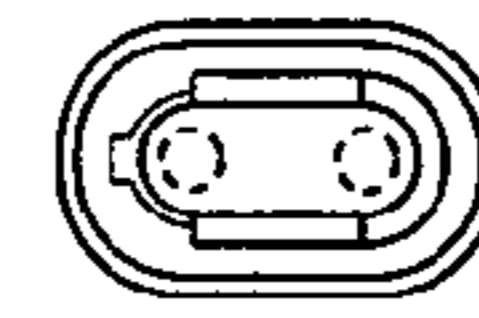


FIG. 6