

US00D547865S

(12) **United States Design Patent**  
**Schoellhorn**

(10) **Patent No.:** **US D547,865 S**  
(45) **Date of Patent:** **\*\* Jul. 31, 2007**

(54) **MEDICAL HOOK**

(75) Inventor: **Joachim Schoellhorn**, Freiburg (DE)

(73) Assignee: **Karl Storz GmbH & Co. KG** (DE)

(\*\*) Term: **14 Years**

(21) Appl. No.: **29/243,194**

(22) Filed: **Nov. 21, 2005**

(30) **Foreign Application Priority Data**

Jul. 22, 2005 (EM) ..... 000376900-0001/0002

(51) **LOC (8) Cl.** ..... **24-02**

(52) **U.S. Cl.** ..... **D24/135**

(58) **Field of Classification Search** ..... D24/135,  
D24/136; 600/201, 206, 210, 213, 217, 227  
See application file for complete search history.

(56) **References Cited**

**U.S. PATENT DOCUMENTS**

D361,381 S \* 8/1995 Koros et al. .... D24/135  
D399,955 S \* 10/1998 Koros et al. .... D24/135  
D421,803 S \* 3/2000 Koros et al. .... D24/135  
D425,620 S \* 5/2000 Koros et al. .... D24/135

**OTHER PUBLICATIONS**

Advertising Literature (Storz The World of Endoscopy, Endoscopes and Instruments for Cardiovascular Surgery, 6<sup>th</sup> Edition, Jan. 2004, 9 pages).

\* cited by examiner

*Primary Examiner*—Ian Simmons

*Assistant Examiner*—Christopher Lee

(74) *Attorney, Agent, or Firm*—St. Onge Steward Johnston & Reens LLC

(57) **CLAIM**

The ornamental design for a medical hook, as shown and described.

**DESCRIPTION**

FIG. 1 is a perspective view of a medical hook in accordance with the new design;

FIG. 2 is a side view thereof;

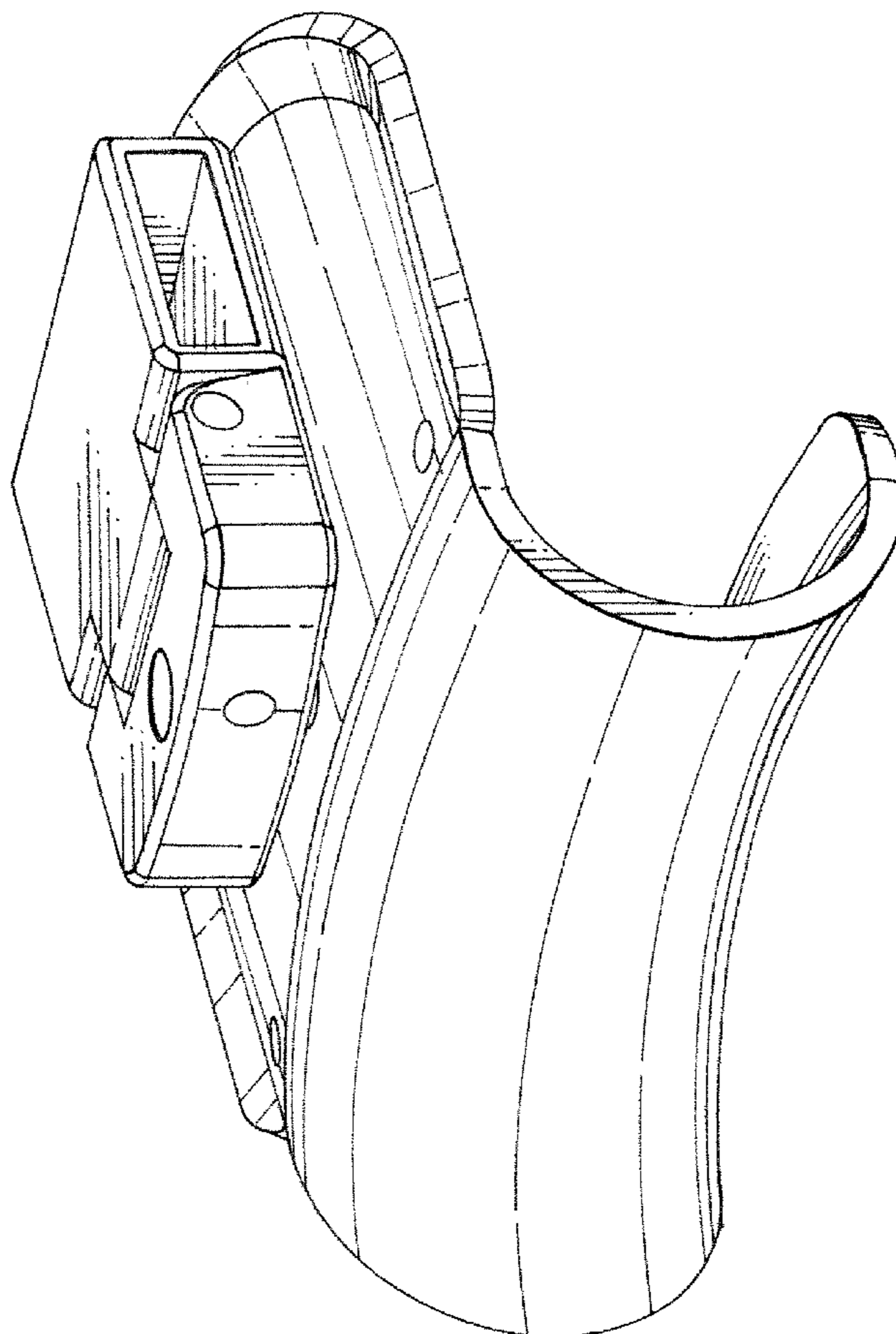
FIG. 3 is a front view thereof;

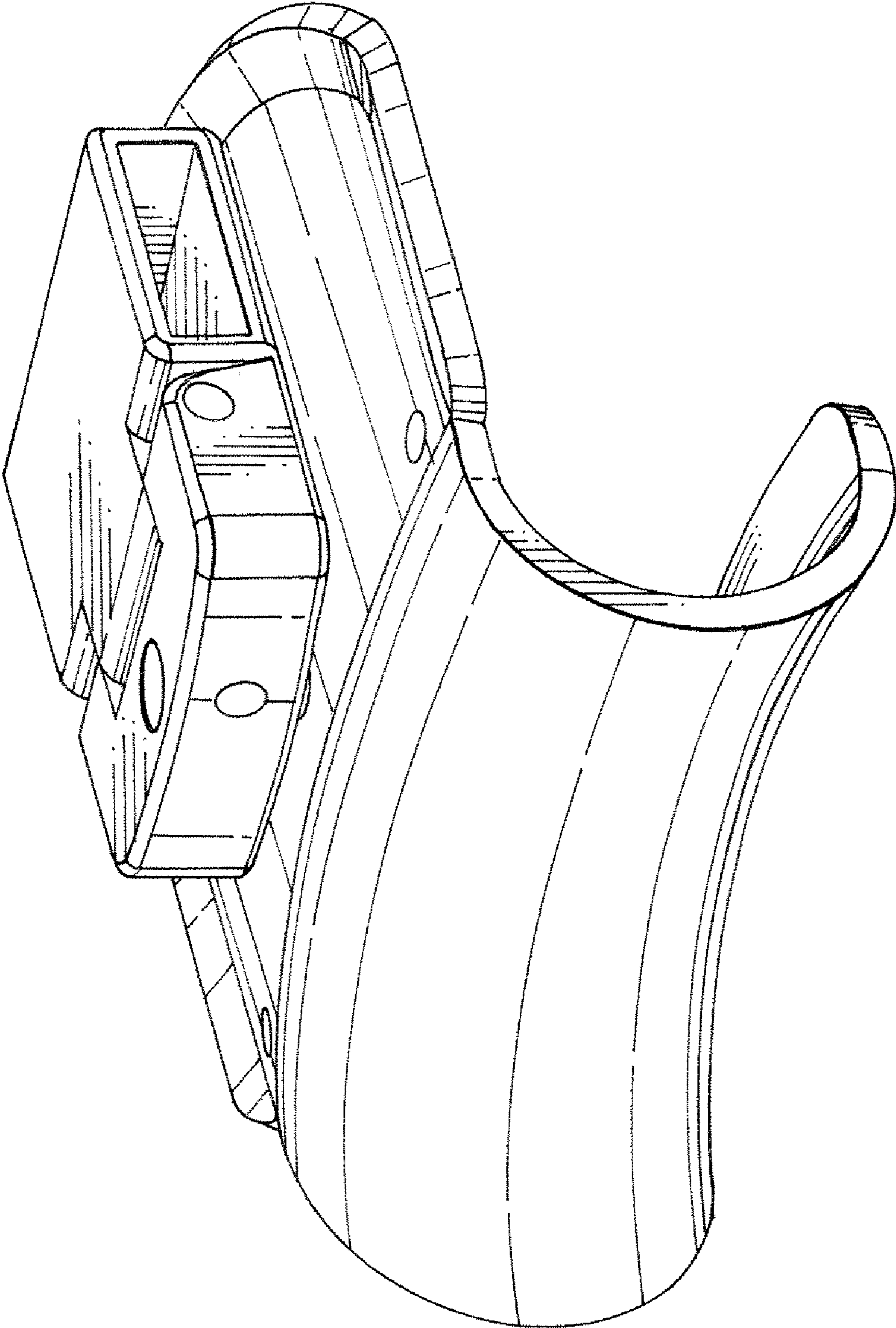
FIG. 4 is a rear view thereof;

FIG. 5 is a top view thereof; and,

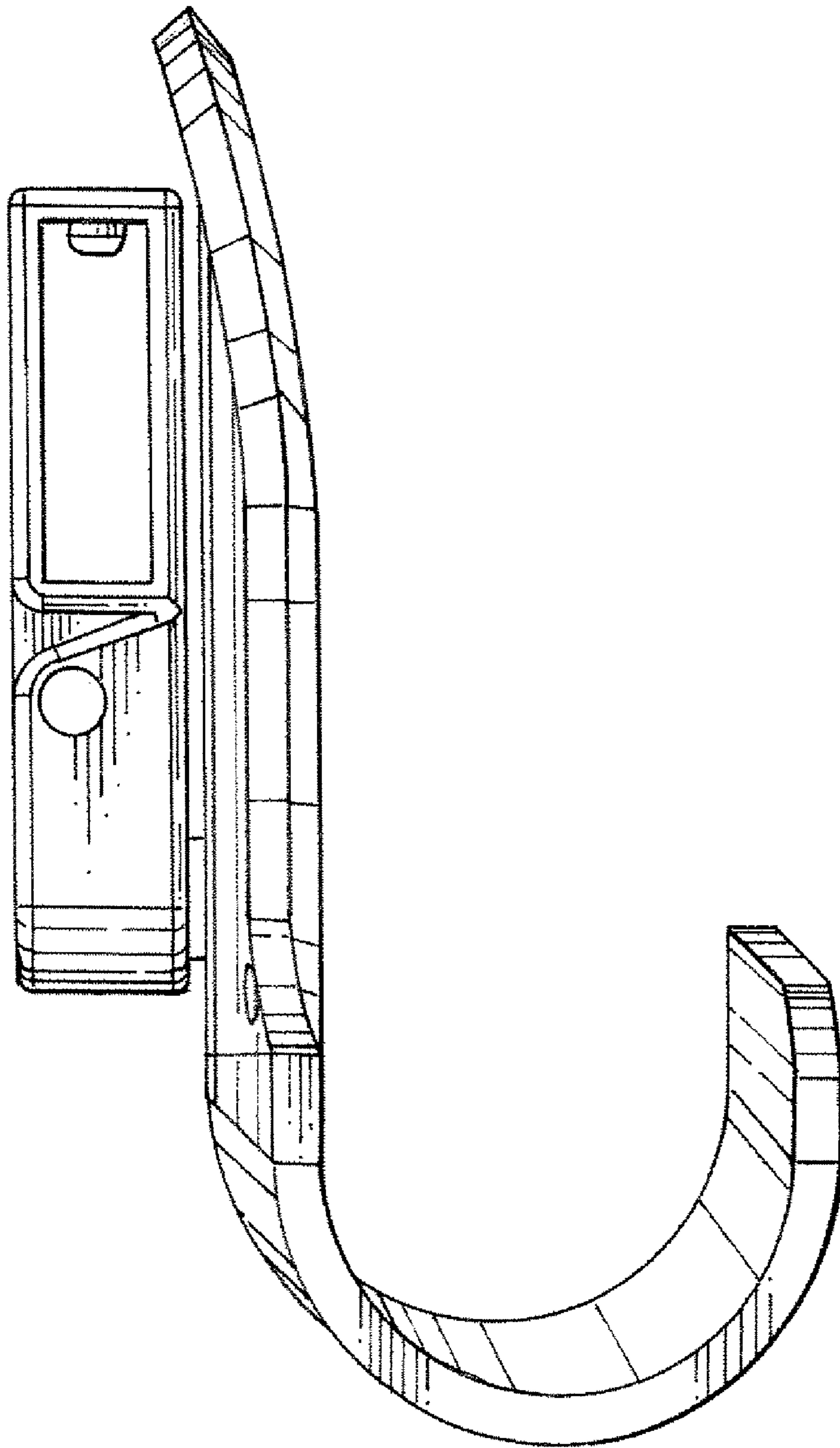
FIG. 6 is a bottom view thereof.

**1 Claim, 6 Drawing Sheets**

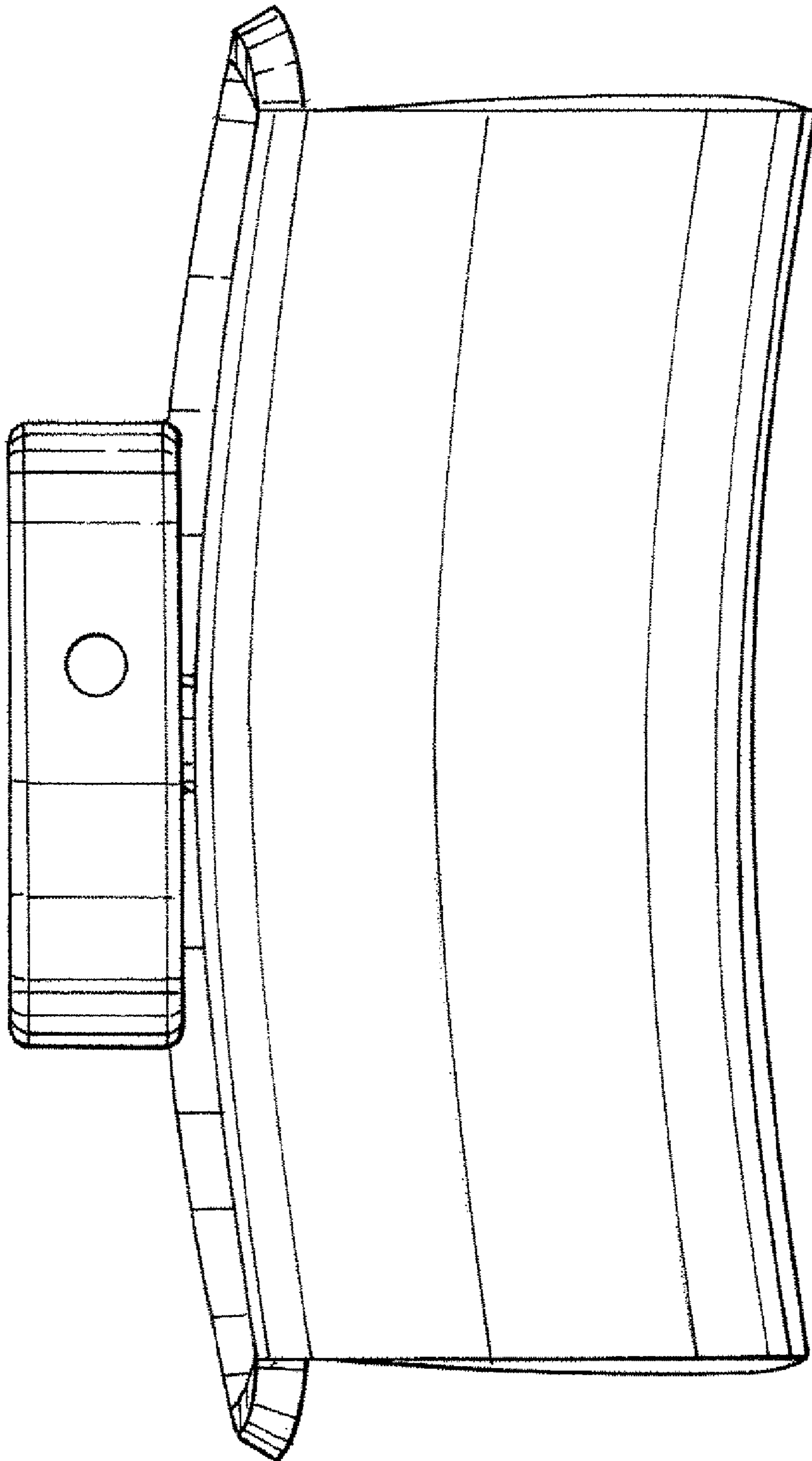




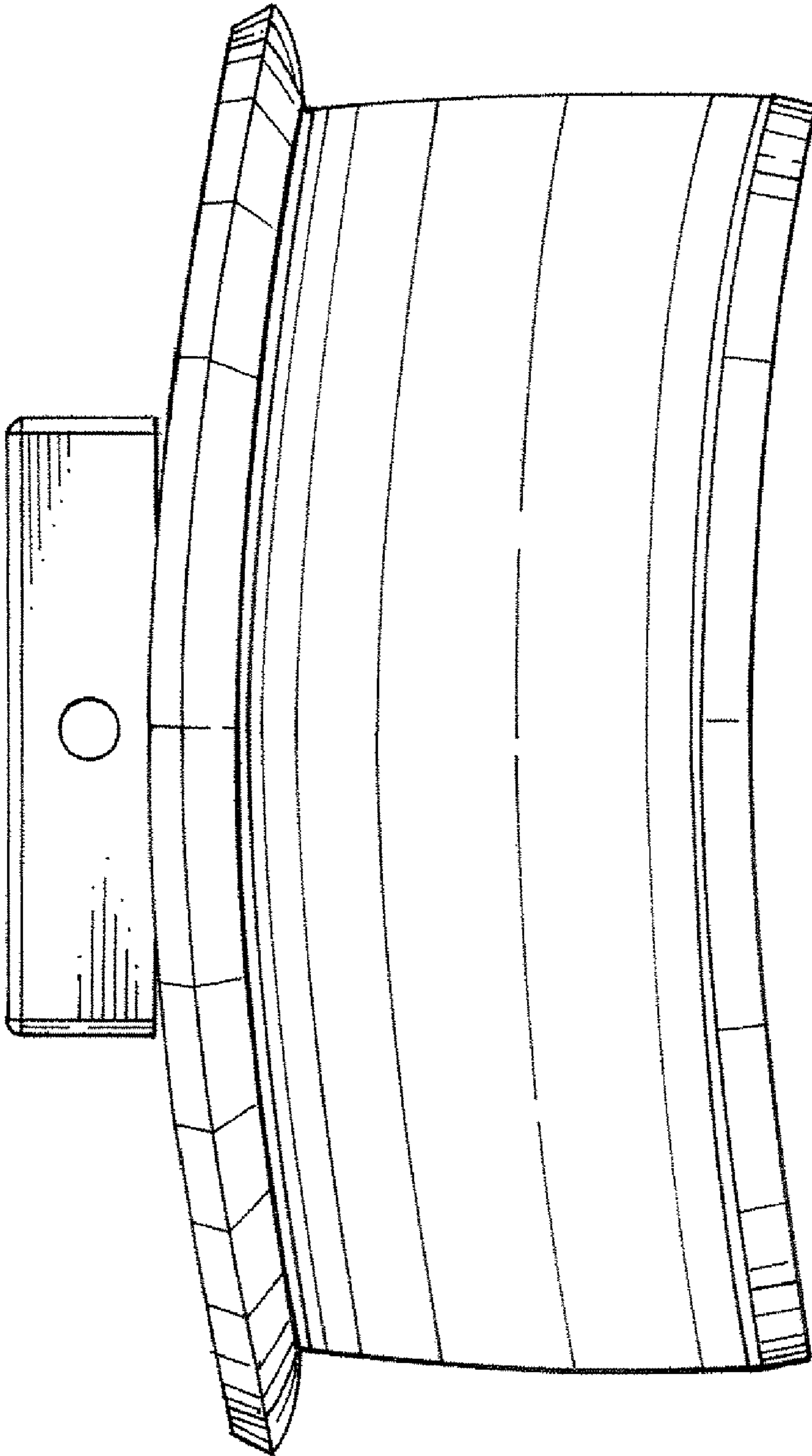
*FIG. 1*



*FIG. 2*



*FIG. 3*



*FIG. 4*

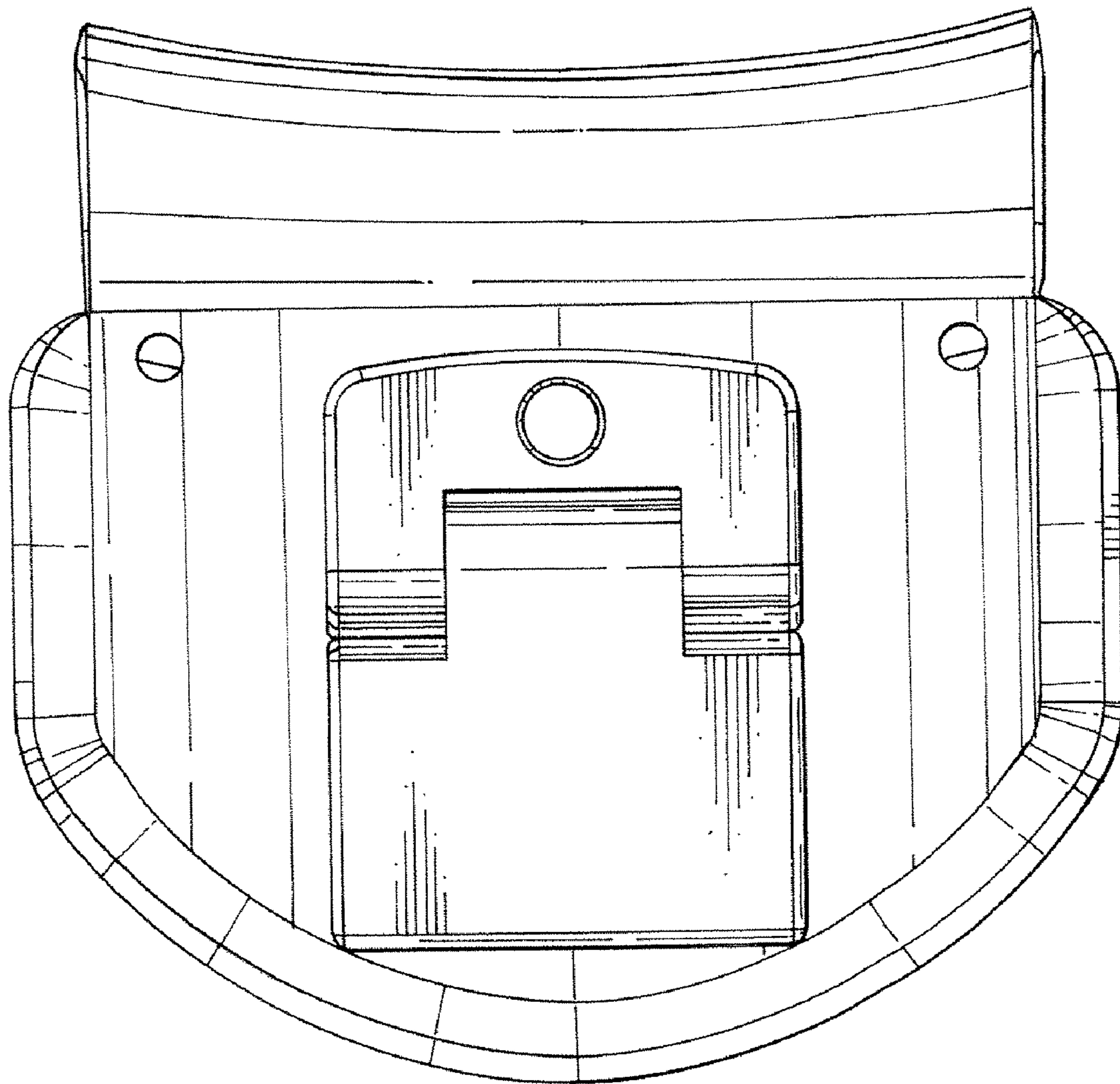
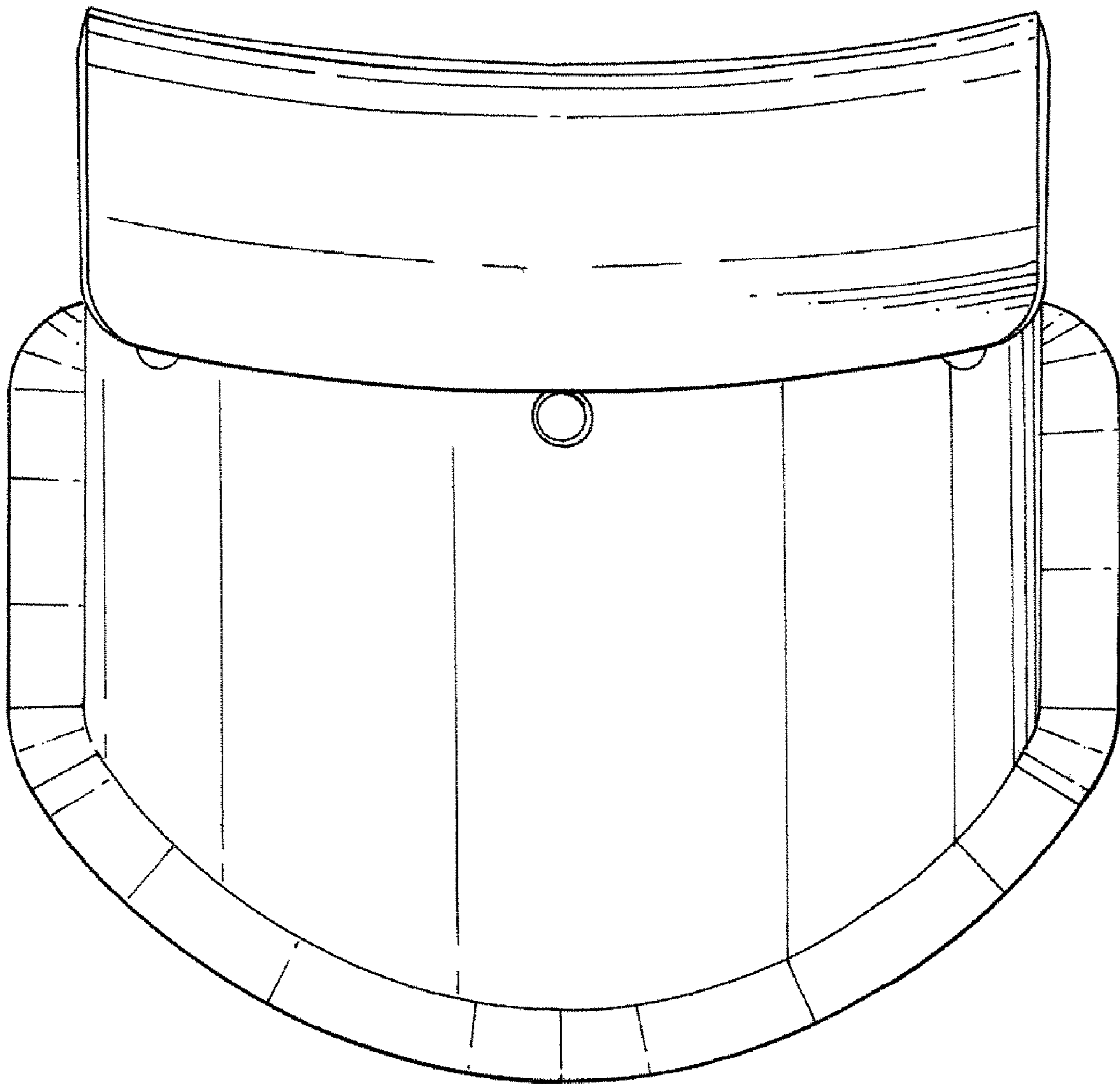


FIG. 5



*FIG. 6*