



US00D547861S

(12) **United States Design Patent**
Chang

(10) **Patent No.:** **US D547,861 S**

(45) **Date of Patent:** **** Jul. 31, 2007**

(54) **SANITARY UNDERGARMENT**

D539,422 S * 3/2007 Maalouf D24/125

(76) Inventor: **Chin Lung Chang**, No. 297-2,
Nanyang Road, Fonyuan, Taichung
Hsien 42083 (TW)

* cited by examiner

Primary Examiner—Louis S. Zarfes
Assistant Examiner—Michelle E. Wilson
(74) *Attorney, Agent, or Firm*—Charles E. Baxley

(**) Term: **14 Years**

(21) Appl. No.: **29/260,771**

(57) **CLAIM**

(22) Filed: **May 31, 2006**

The ornamental design for a sanitary undergarment, as shown and described.

(51) **LOC (8) Cl.** **24-04**

(52) **U.S. Cl.** **D24/126**

(58) **Field of Classification Search** D24/124–126;
D2/1, 67, 426; 604/392; 372/99; 128/863;
297/284.5

See application file for complete search history.

DESCRIPTION

FIG. 1 is an upper perspective view of a sanitary undergarment showing my new design;

FIG. 2 is a front elevational view thereof;

FIG. 3 is a rear elevational view thereof;

FIG. 4 is a top plan view thereof;

FIG. 5 is a bottom plan view thereof;

FIG. 6 is a left side elevational view thereof;

FIG. 7 is a right side elevational view thereof; and,

FIG. 8 is a front elevational view thereof, illustrating an attachment of the sanitary undergarment onto a user.

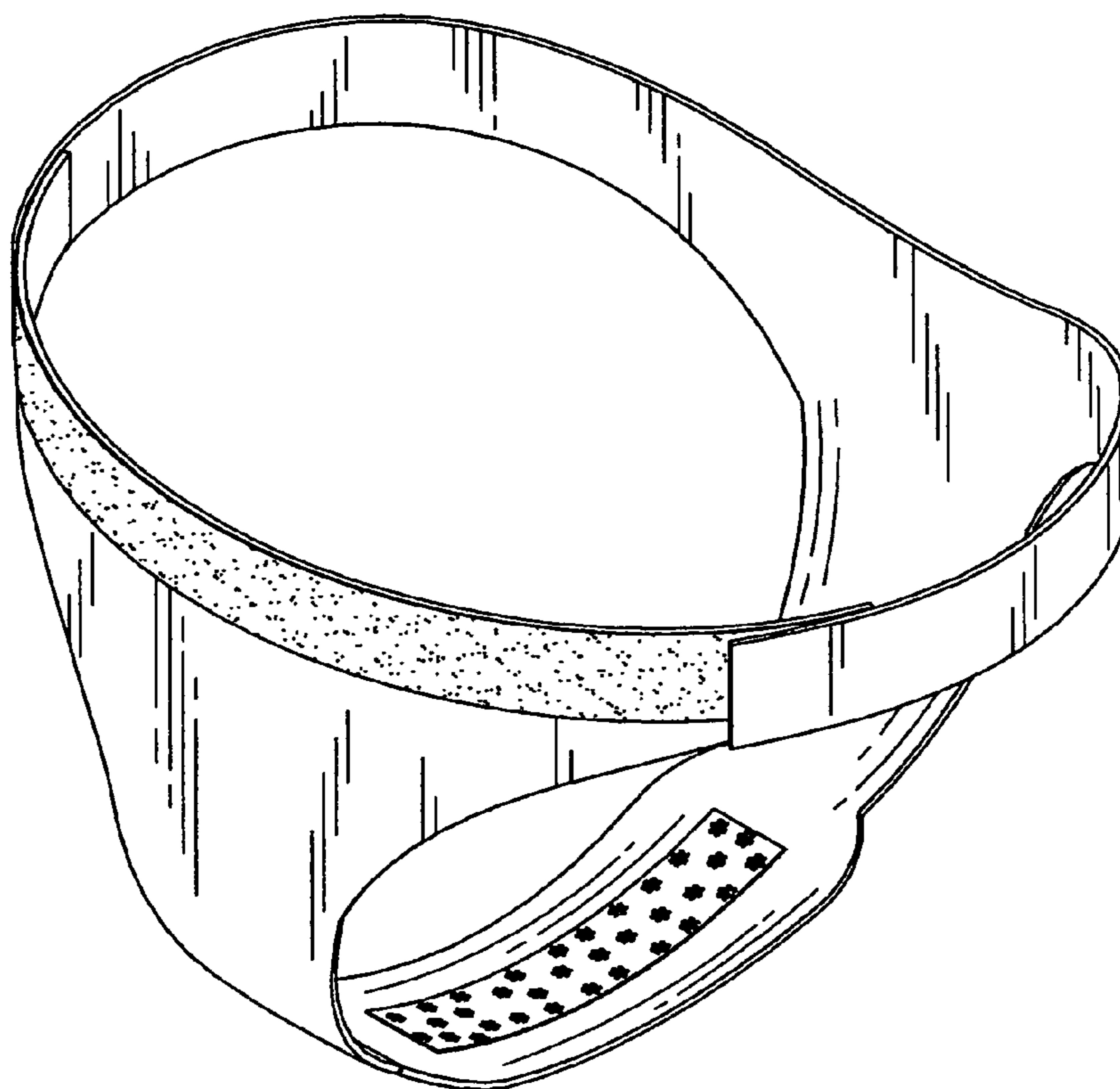
The broken line showing of the sanitary undergarment is included for the purpose of illustrating environmental structure and forms no part of the claimed design.

(56) **References Cited**

U.S. PATENT DOCUMENTS

5,683,373	A *	11/1997	Darby	604/385.01
6,240,560	B1 *	6/2001	DeCaro	2/67
D445,181	S *	7/2001	Kramer	D24/125
6,353,940	B1 *	3/2002	Lyden	2/403
6,360,375	B1 *	3/2002	Hart	2/406
6,490,732	B1 *	12/2002	Spoke	2/67
D472,365	S *	4/2003	Milien	D2/712
D484,671	S *	1/2004	Swan	D2/712
6,817,038	B2 *	11/2004	Blanco	2/406
D506,592	S *	6/2005	Mone et al.	D2/714
D507,856	S *	8/2005	Yeramyan et al.	D2/712

1 Claim, 5 Drawing Sheets



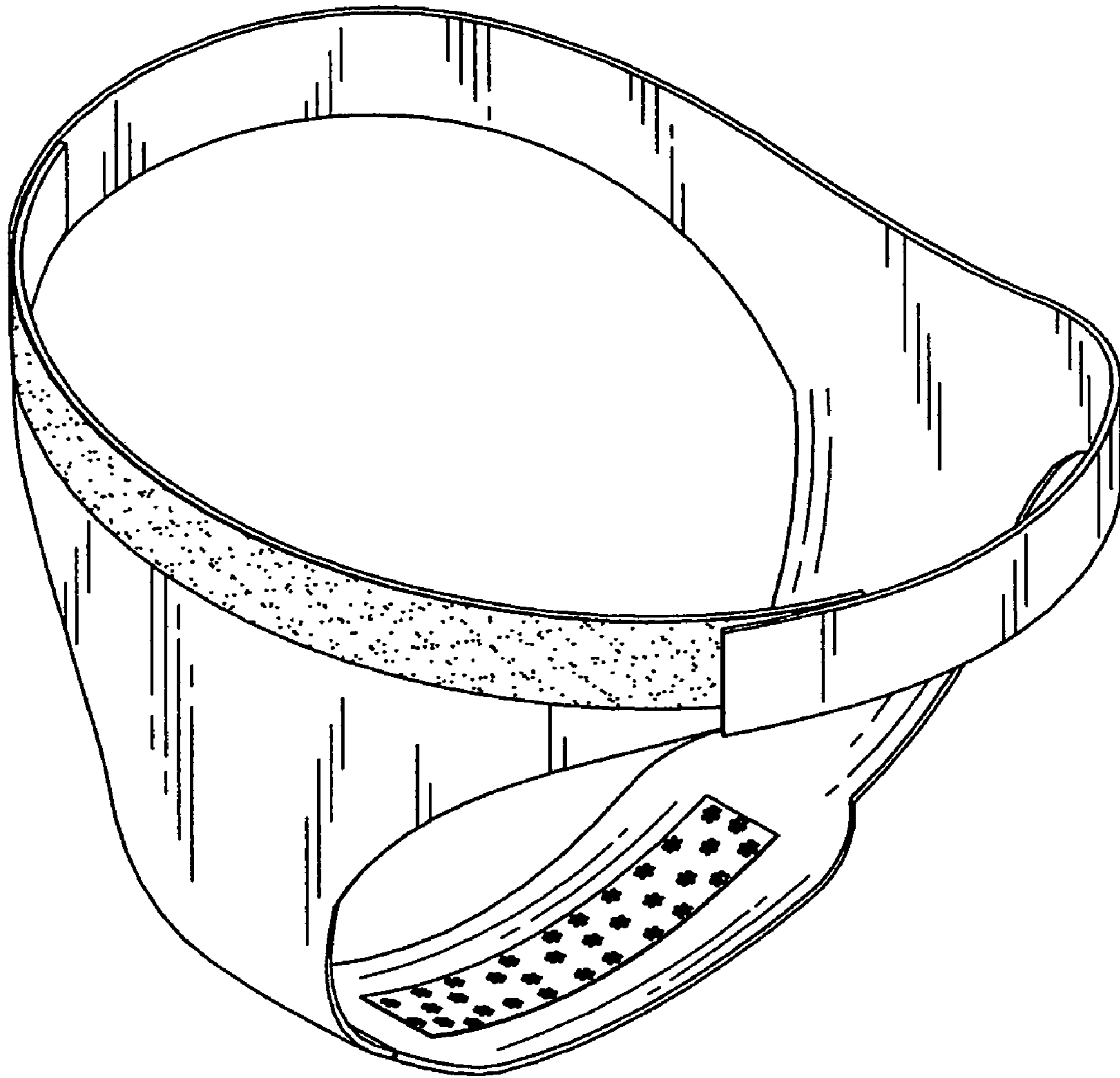


FIG. 1

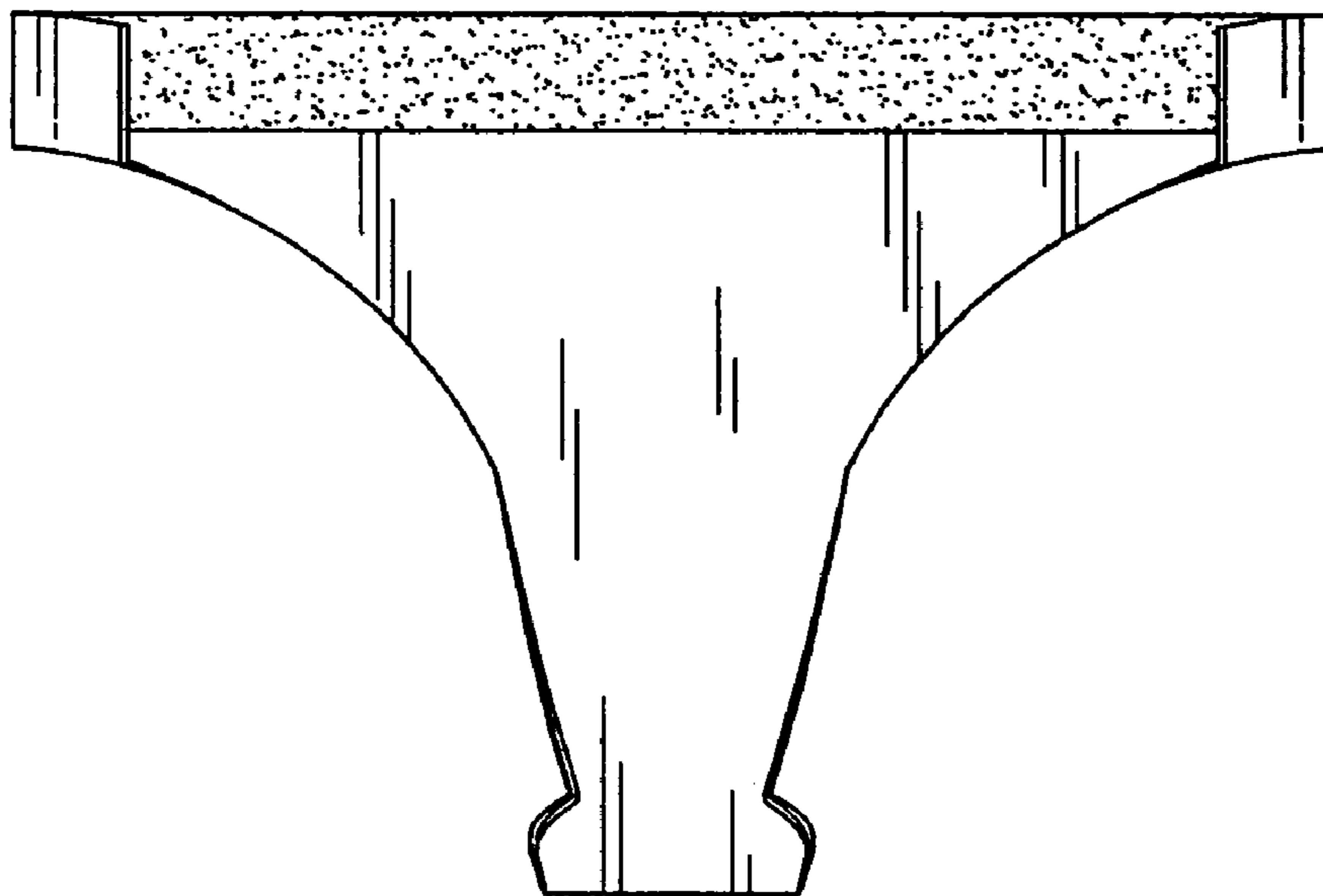


FIG. 2

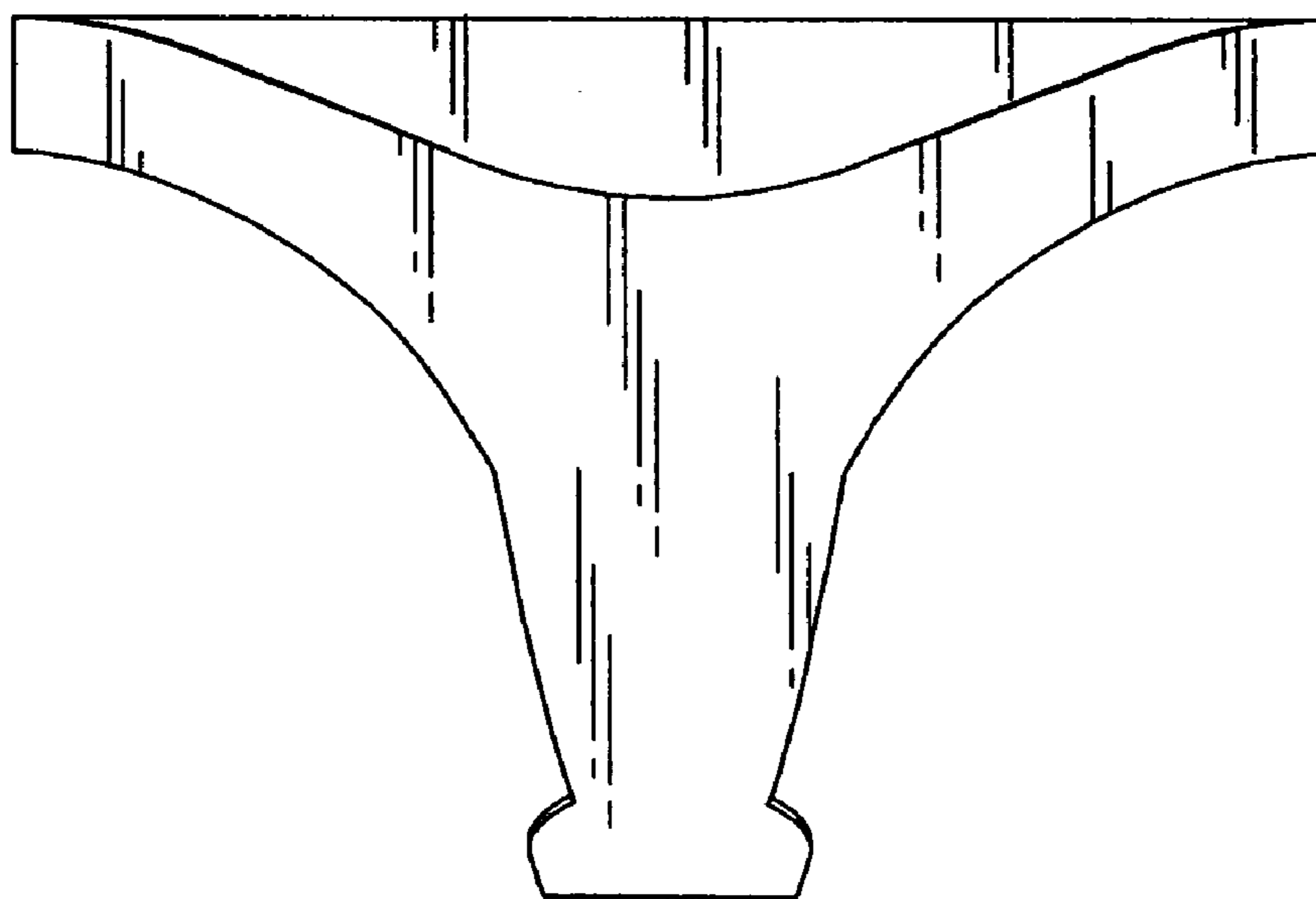


FIG. 3

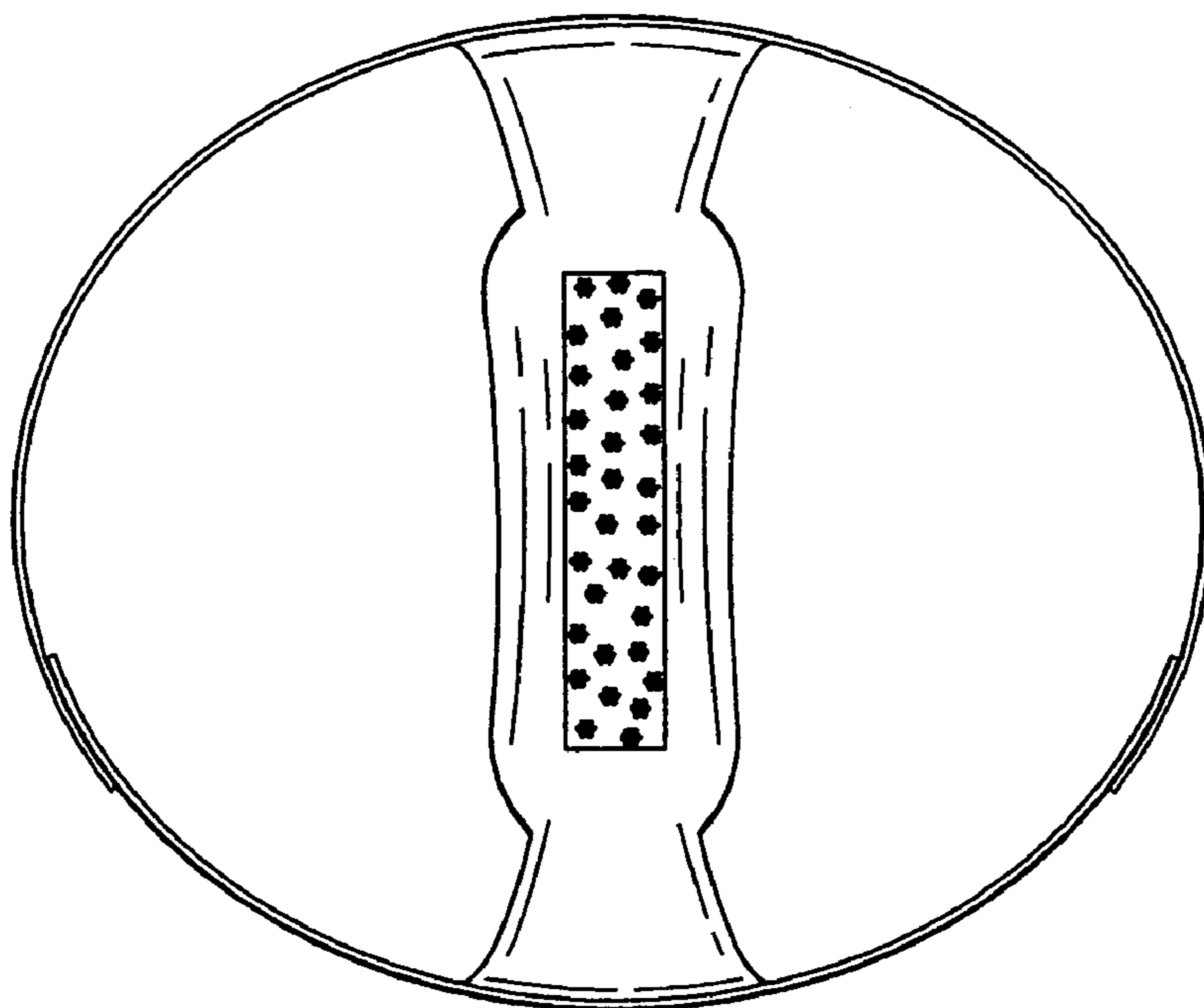


FIG. 4

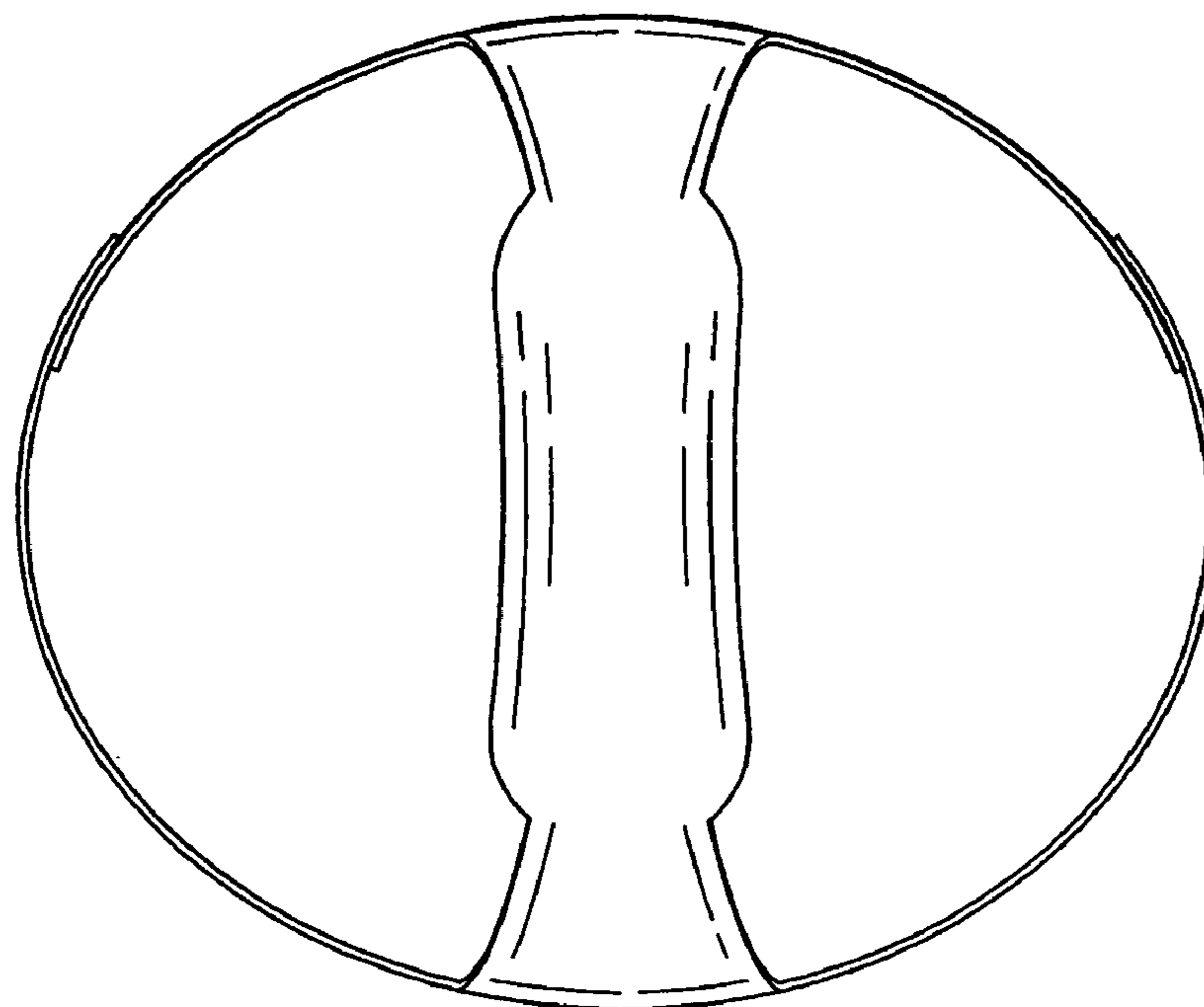


FIG. 5

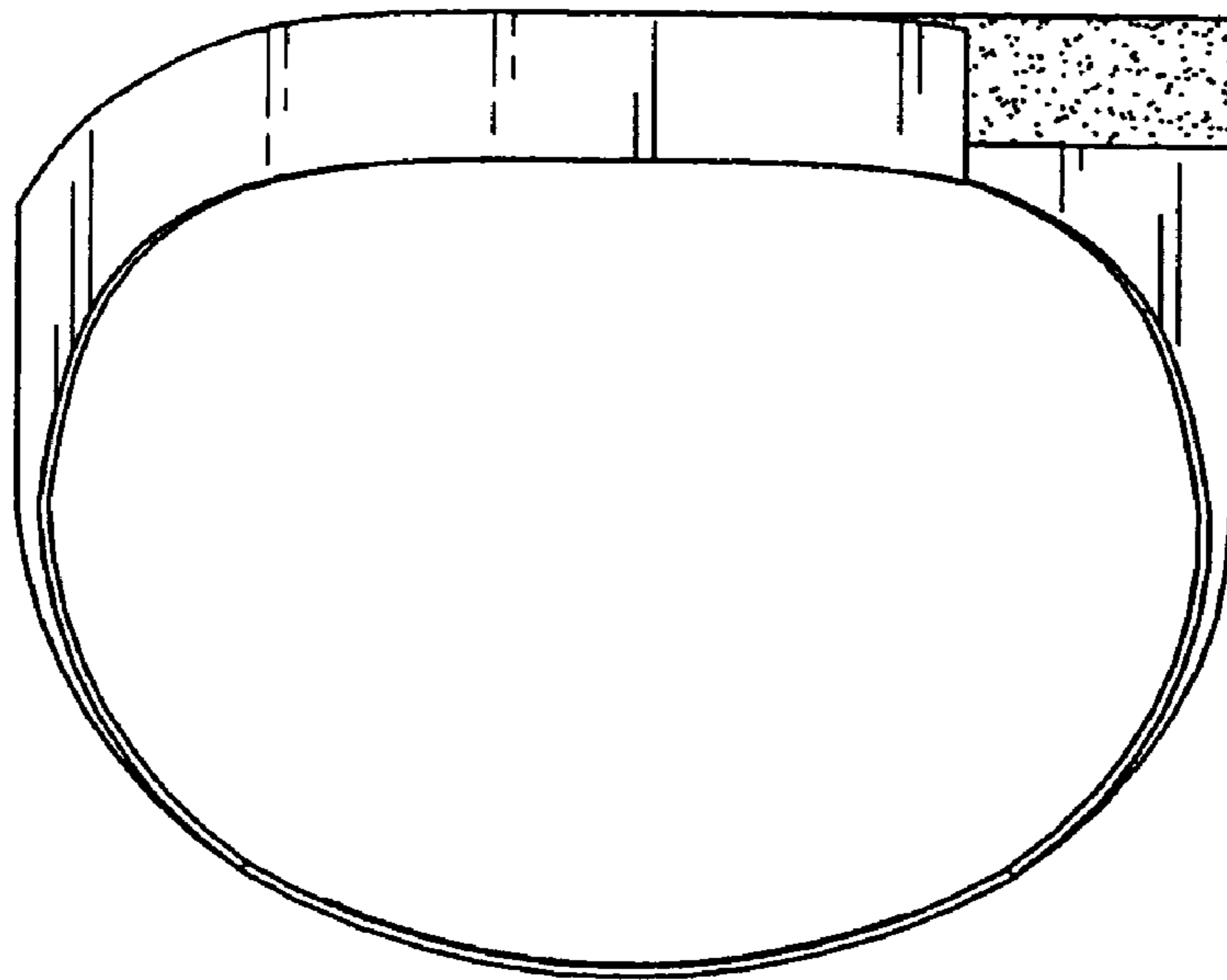


FIG. 6

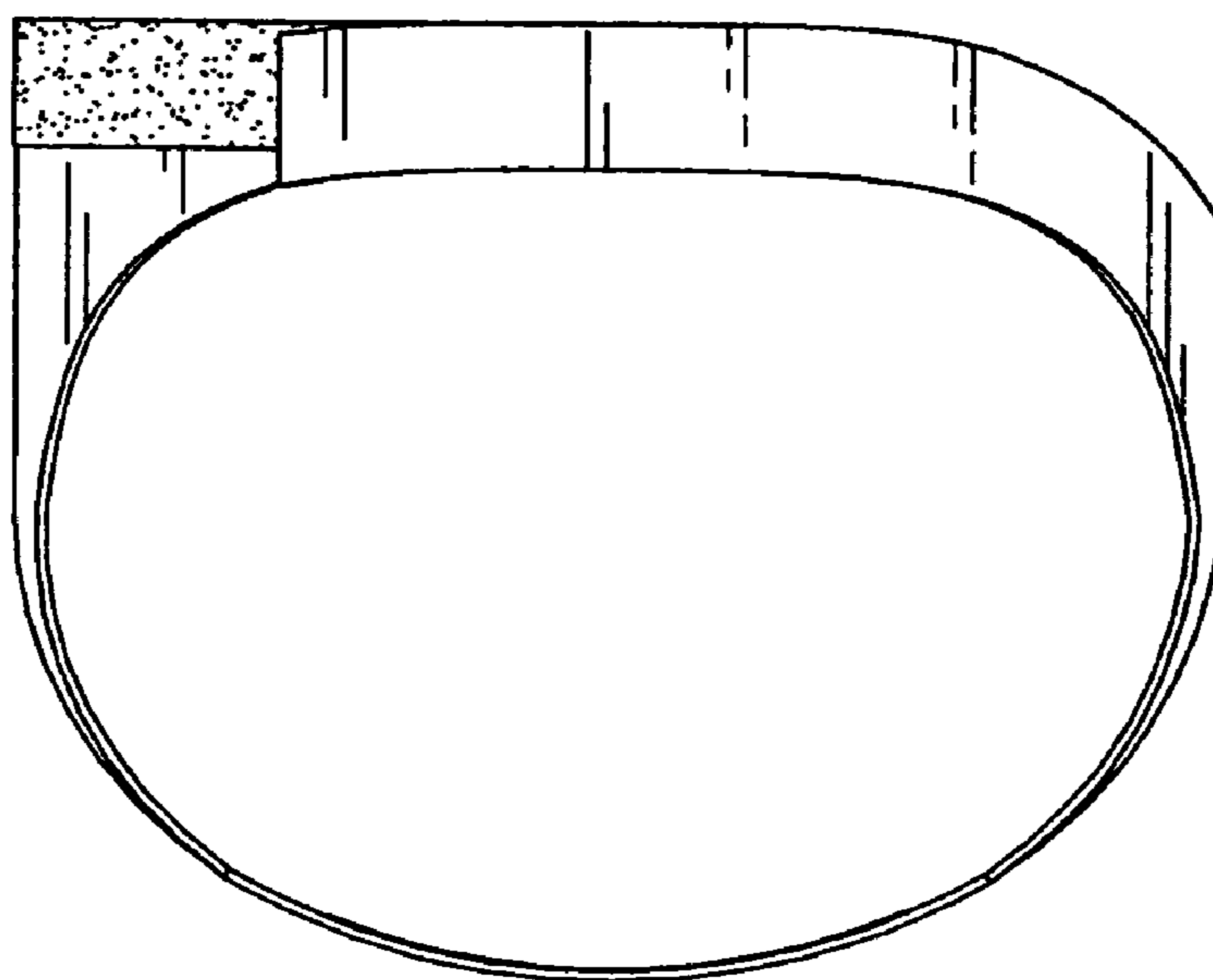


FIG. 7

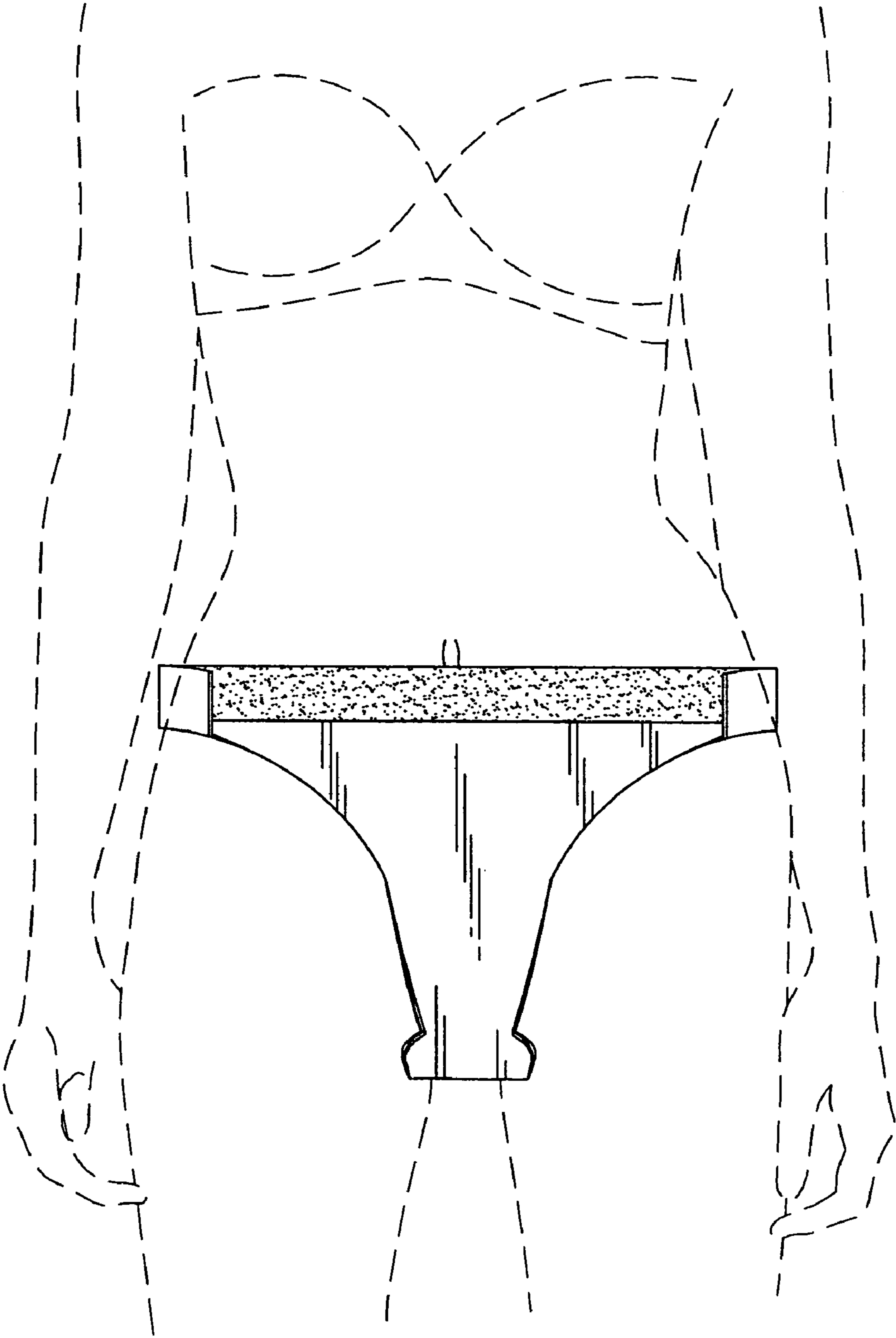


FIG. 8