

US00D547859S

(12) **United States Design Patent** (10) **Patent No.:** **US D547,859 S**  
**Choi** (45) **Date of Patent:** **\*\* Jul. 31, 2007**

(54) **PORTABLE INSULIN AUTO-SYRINGE**

(76) Inventor: **Soo Bong Choi**, #5-908, Youwonhana Apt., 421-7 Yeonsoo-dong, Chungju-shi, Chungcheongbuk-do (KR)

(\*\*) Term: **14 Years**

(21) Appl. No.: **29/257,628**

(22) Filed: **Apr. 7, 2006**

(30) **Foreign Application Priority Data**

Nov. 8, 2005 (KR) ..... 30-2005-0037590

(51) **LOC (8) Cl.** ..... **24-02**

(52) **U.S. Cl.** ..... **D24/113**

(58) **Field of Classification Search** ..... D24/113, D24/111, 108, 112, 169, 186, 146; 604/198, 604/207, 208, 211, 152, 191, 155, 135, 132, 604/131, 141, 154, 65, 890.1

See application file for complete search history.

(56) **References Cited**

**U.S. PATENT DOCUMENTS**

4,468,221	A *	8/1984	Mayfield	.....	604/152
5,147,323	A *	9/1992	Haber et al.	.....	604/191
5,505,709	A *	4/1996	Funderburk et al.	.....	604/155
5,584,815	A *	12/1996	Pawelka et al.	.....	604/211
5,611,784	A *	3/1997	Barresi et al.	.....	604/211
5,637,095	A *	6/1997	Nason et al.	.....	604/135
5,647,853	A *	7/1997	Feldmann et al.	.....	604/155
5,830,187	A *	11/1998	Kriesel et al.	.....	604/132
5,919,167	A *	7/1999	Mulhauser et al.	.....	604/131
5,954,696	A *	9/1999	Ryan	.....	604/141
D416,999	S *	11/1999	Miyamoto	.....	D24/111
6,056,728	A *	5/2000	von Schuckmann	.....	604/207
6,110,149	A *	8/2000	Klitgaard et al.	.....	604/211
D447,566	S *	9/2001	Levaughn et al.	.....	D24/146
6,379,339	B1 *	4/2002	Klitgaard et al.	.....	604/207
D461,241	S *	8/2002	Moberg et al.	.....	D24/111
D471,976	S *	3/2003	Pavlu et al.	.....	D24/114

D476,078	S *	6/2003	Pavlu et al.	.....	D24/112
D479,325	S *	9/2003	Tyce	.....	D24/114
D479,746	S *	9/2003	Tyce	.....	D24/112
D493,536	S *	7/2004	Jaeck et al.	.....	D24/169
6,942,646	B2 *	9/2005	Langley et al.	.....	604/207
2003/0163090	A1 *	8/2003	Blomquist et al.	.....	604/154
2004/0176720	A1 *	9/2004	Kipfer	.....	604/65
2004/0176727	A1 *	9/2004	Shekalim	.....	604/181
2005/0197650	A1 *	9/2005	Sugimoto et al.	.....	604/890.1

\* cited by examiner

*Primary Examiner*—Louis Zarfes

*Assistant Examiner*—David Muller

(74) *Attorney, Agent, or Firm*—Sheridan Ross P.C.

(57) **CLAIM**

The ornamental design for a portable insulin auto-syringe, as shown and described.

**DESCRIPTION**

FIG. 1 is a perspective view of a portable insulin auto-syringe according to the present design;

FIG. 2 is a front view of the design as shown in FIG. 1;

FIG. 3 is a rear view of the design as shown in FIG. 1;

FIG. 4 is a left side view of the design as shown in FIG. 1;

FIG. 5 is a right side view of the design as shown in FIG. 1;

FIG. 6 is a top plan view of the design as shown in FIG. 1; and,

FIG. 7 is a bottom plan view of the design as shown in FIG. 1.

The article is made of metal, synthetic resin and glass.

The article is possible being carried by the user.

The article is possible being automatically inject insulin into the body by sticking a needle connected with a syringe unit onto the skin.

**1 Claim, 6 Drawing Sheets**

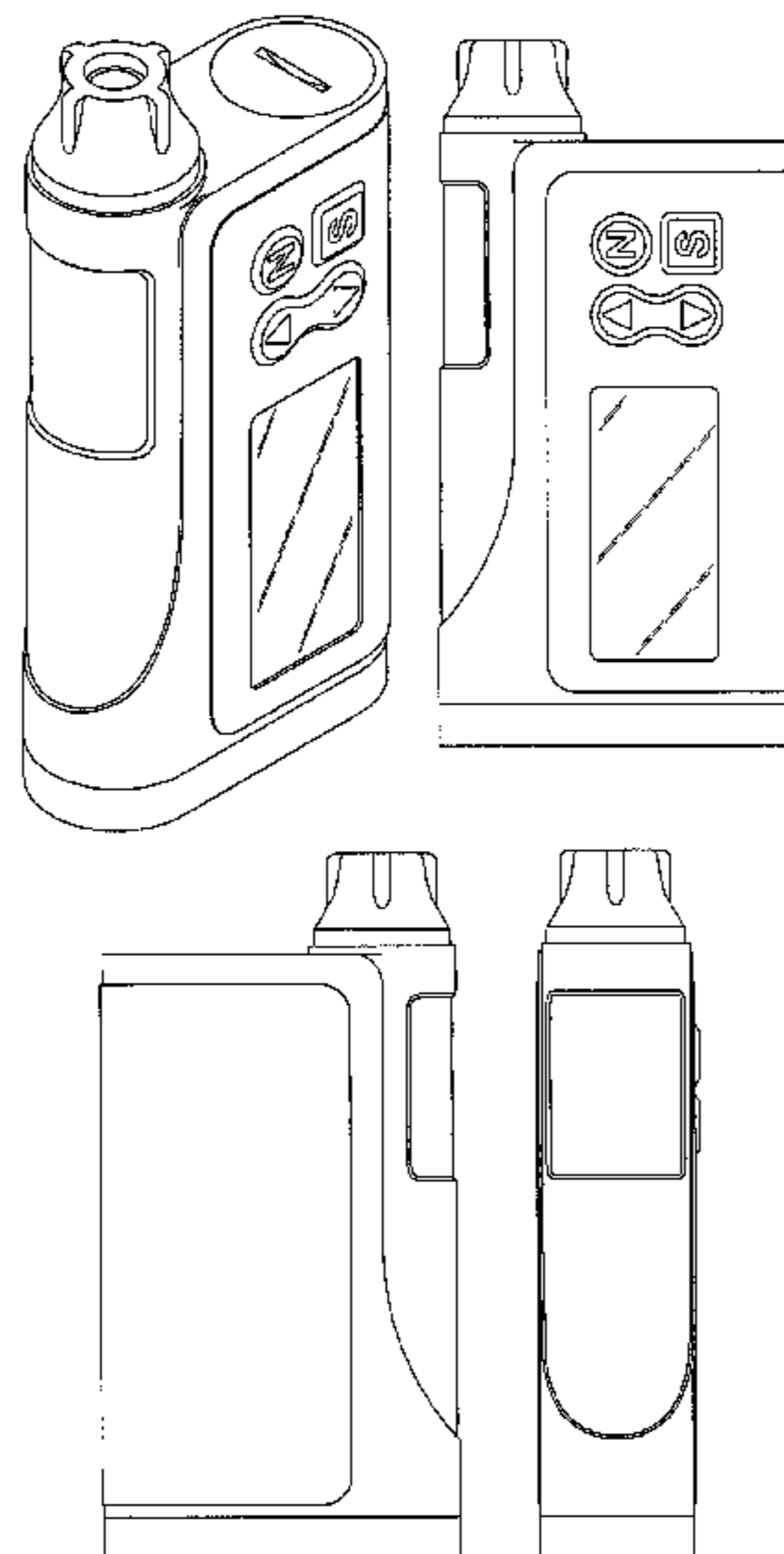


Fig.1

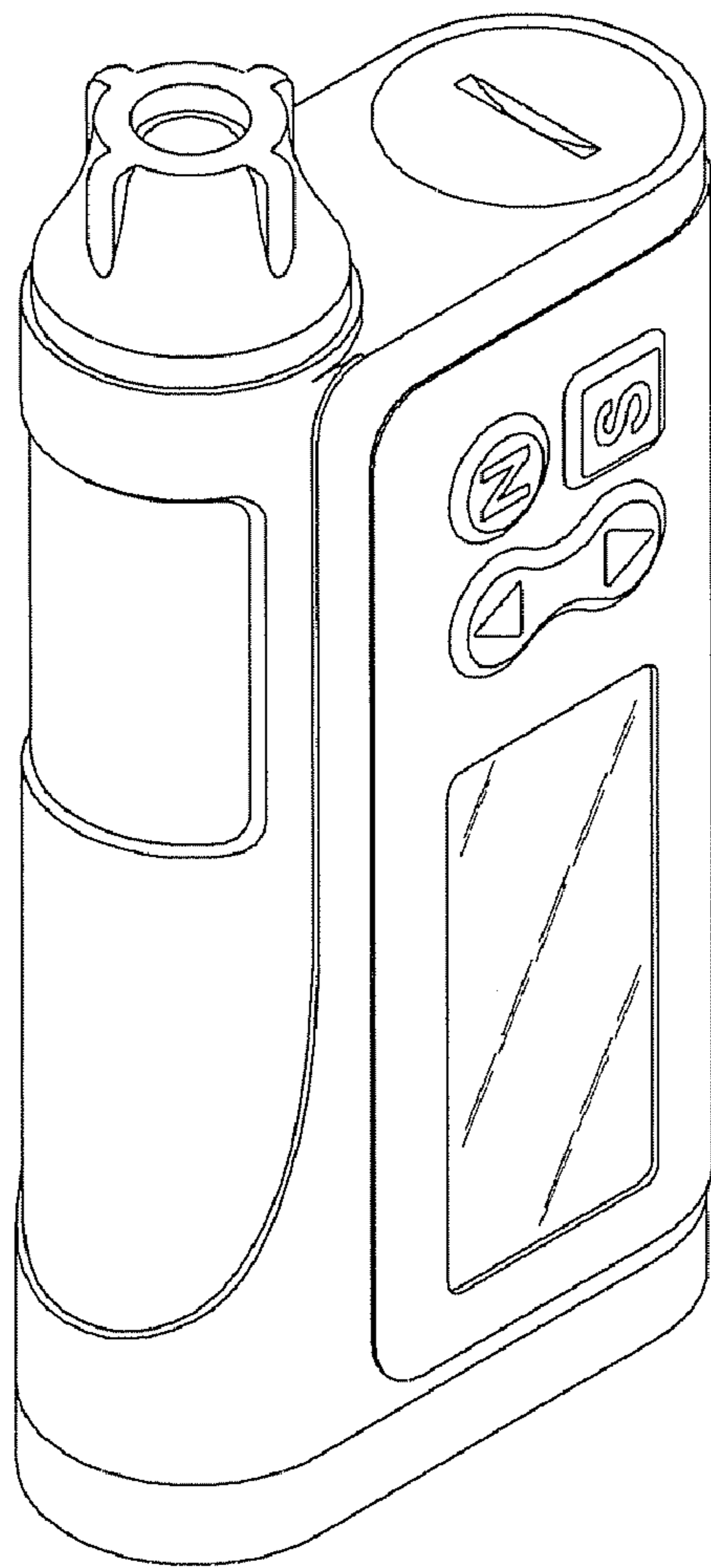


Fig. 2

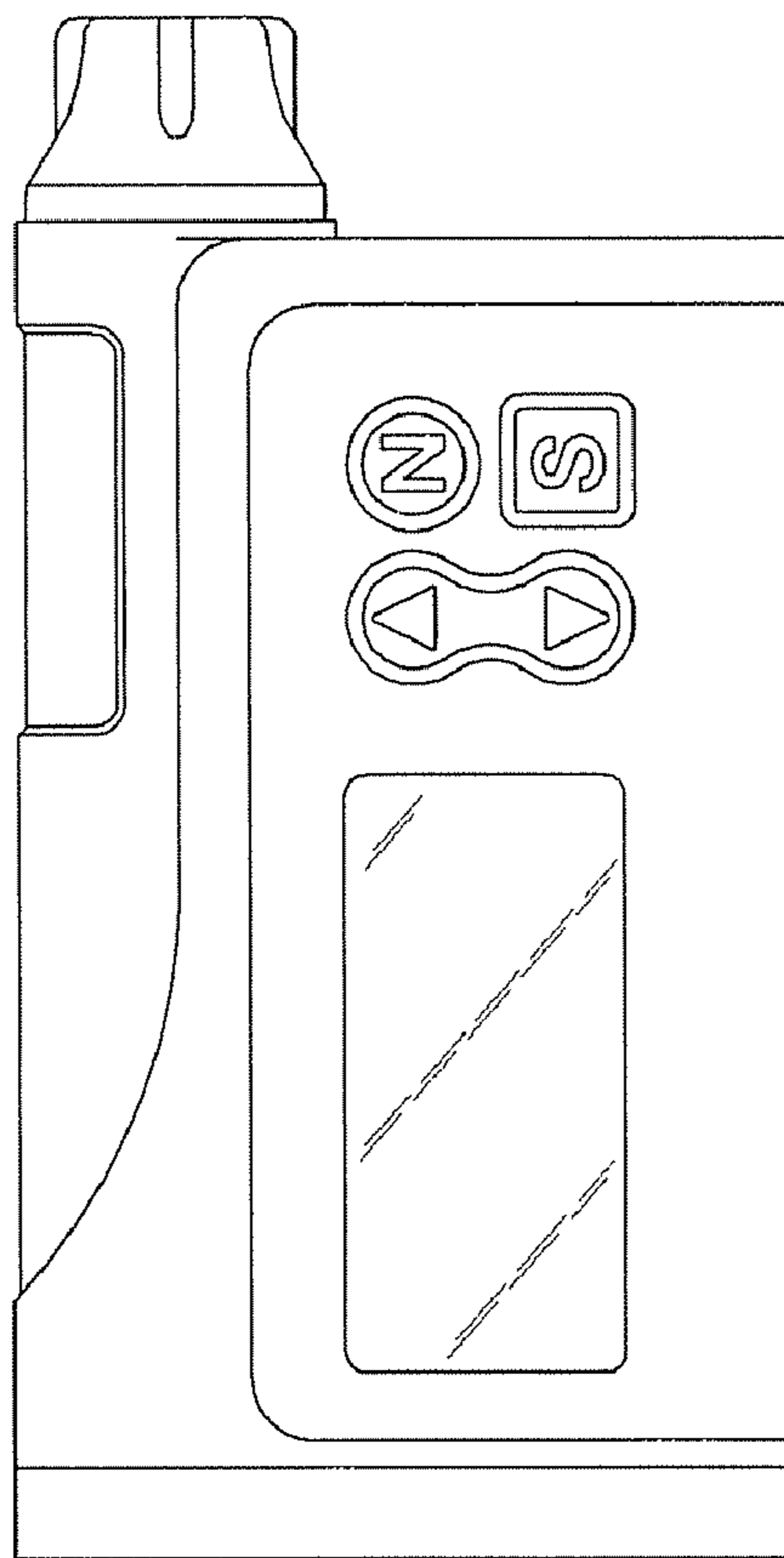


Fig. 3

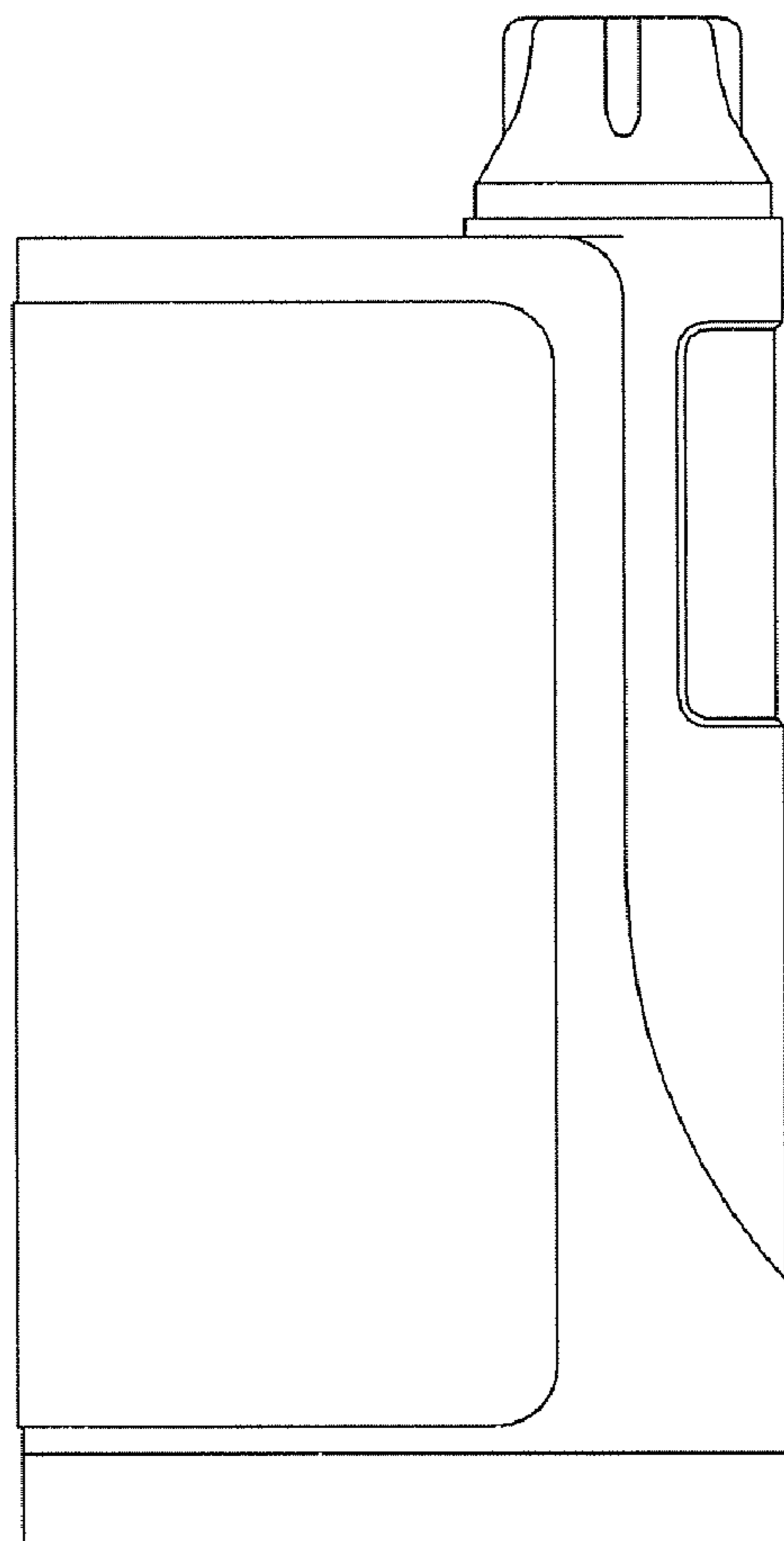


Fig. 4

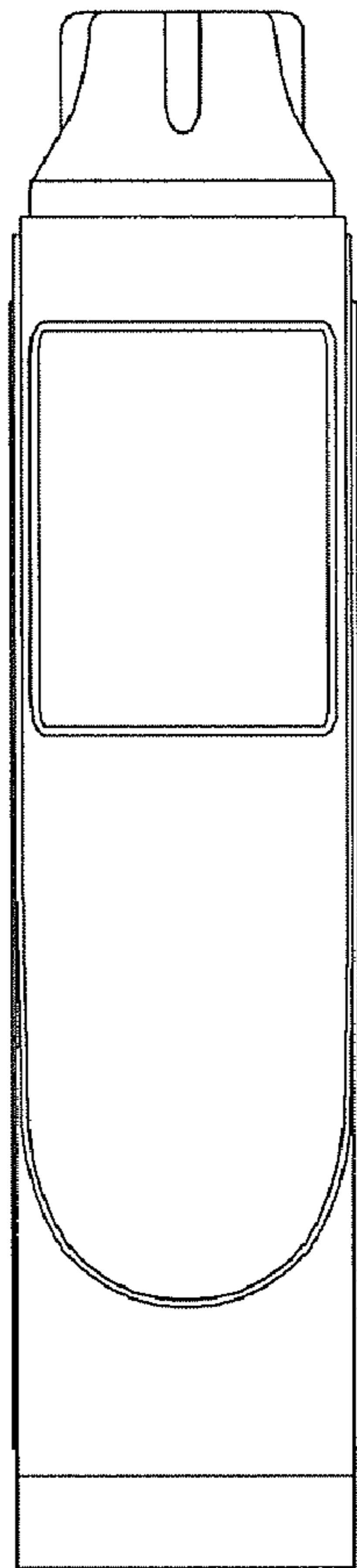


Fig. 5

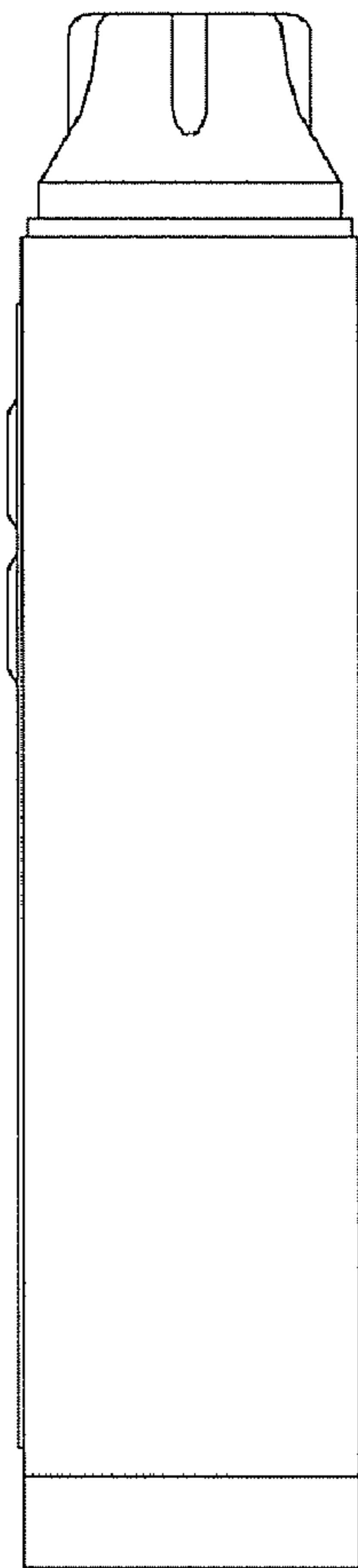


Fig. 6

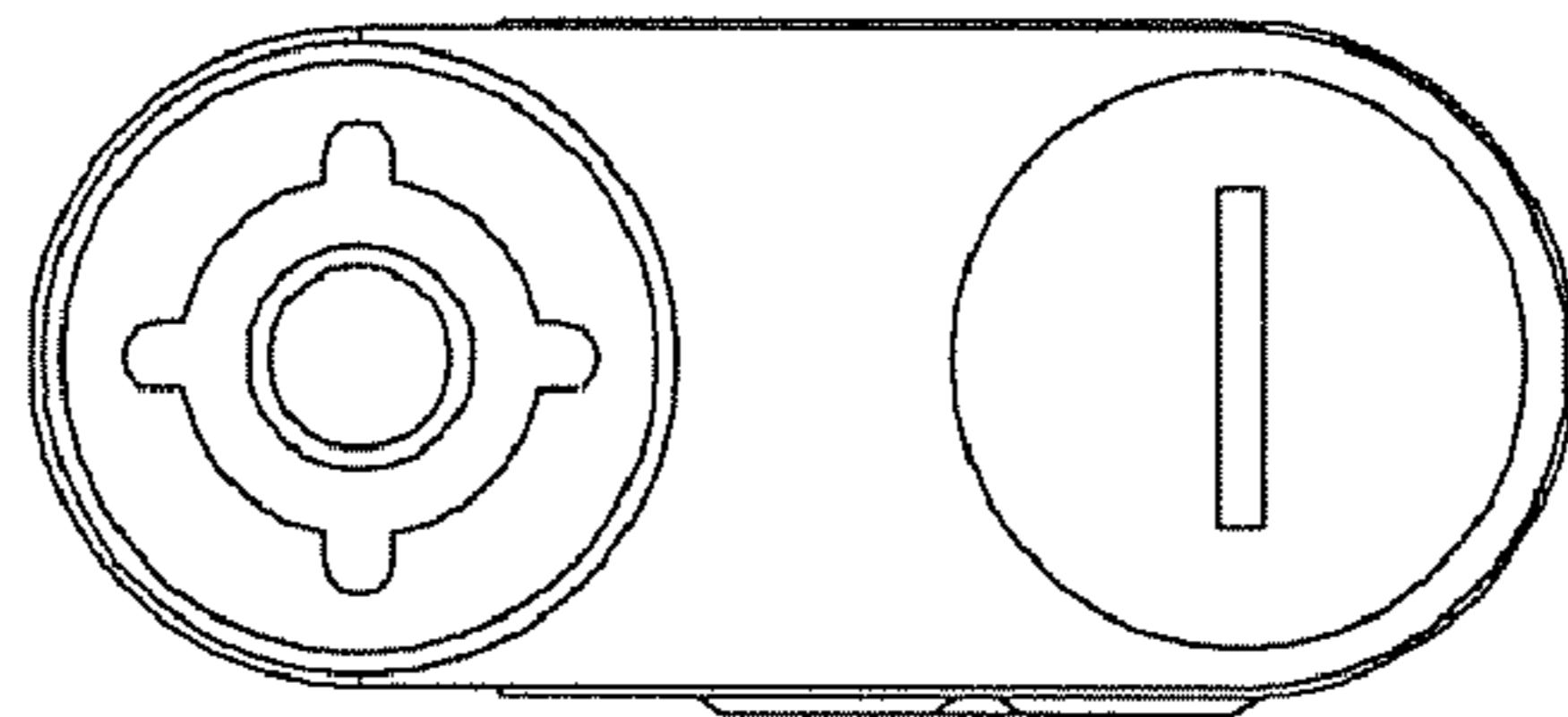


Fig. 7

