



US00D547858S

(12) **United States Design Patent** (10) **Patent No.:** **US D547,858 S**  
**Kallay et al.** (45) **Date of Patent:** **\*\* Jul. 31, 2007**

(54) **MEDICAL PROBE**

(76) Inventors: **Sandor Kallay**, H-7625, Pecs, Suranyi u. 43/A (HU); **Zsolt Roncs**, H-8900, Zalagerszeg, Valicka u. 19 (HU); **Sandor Nagy**, H-7624, Pecs, Buday Dezso u. 48 (HU)

(\*\*) Term: **14 Years**

(21) Appl. No.: **29/222,894**

(22) Filed: **Feb. 7, 2005**

(51) **LOC (8) Cl.** ..... **24-01**

(52) **U.S. Cl.** ..... **D24/108**

(58) **Field of Classification Search** ..... D24/133,  
D24/110, 110.6, 111, 112, 113, 114, 115,  
D24/108, 121, 129, 130, 222; D9/683; 604/68,  
604/256, 411, 38, 514, 73, 35, 315  
See application file for complete search history.

(56) **References Cited**

**U.S. PATENT DOCUMENTS**

4,341,211	A *	7/1982	Kline	604/514
D451,597	S *	12/2001	Suh	D24/108
6,325,785	B1	12/2001	Babkes et al.	
6,595,949	B1	7/2003	Shapiro	
D478,164	S *	8/2003	Wang	D24/108
D494,672	S *	8/2004	Wang	D24/108

**FOREIGN PATENT DOCUMENTS**

CH	687 851	A5	3/1997
FR	2 549 727		2/1985
FR	2 769 229		4/1999
HU	199304		1/1989
HU	215563		8/1997
HU	87747		12/1998
HU	1666		12/1999
HU	1775		6/2000
JP	10-248922		3/1997
WO	WO 01/36020		11/2000

\* cited by examiner

*Primary Examiner*—Ian Simmons

*Assistant Examiner*—Christopher Lee

(74) *Attorney, Agent, or Firm*—HersHKovitz & Associates; Abe HersHKovitz

(57) **CLAIM**

We claim the ornamental design for a medical probe, as shown and described.

**DESCRIPTION**

The medical probe described herein may be part of an electric nasal passage cleaning apparatus that can be expediently used for removing secretions produced in the nasal passages using an electric vacuum pump, for example.

FIG. 1 is a Front Perspective View of the front, middle and rear portion of a medical probe, showing our new design in a disassembled state;

FIG. 2 is a Top View of the front, middle and rear portion of the medical probe, showing our new design in a disassembled state;

FIG. 3 is a Front View of the front, middle and rear portion of the medical probe in consecutive positions of the portions as shown in FIG. 2;

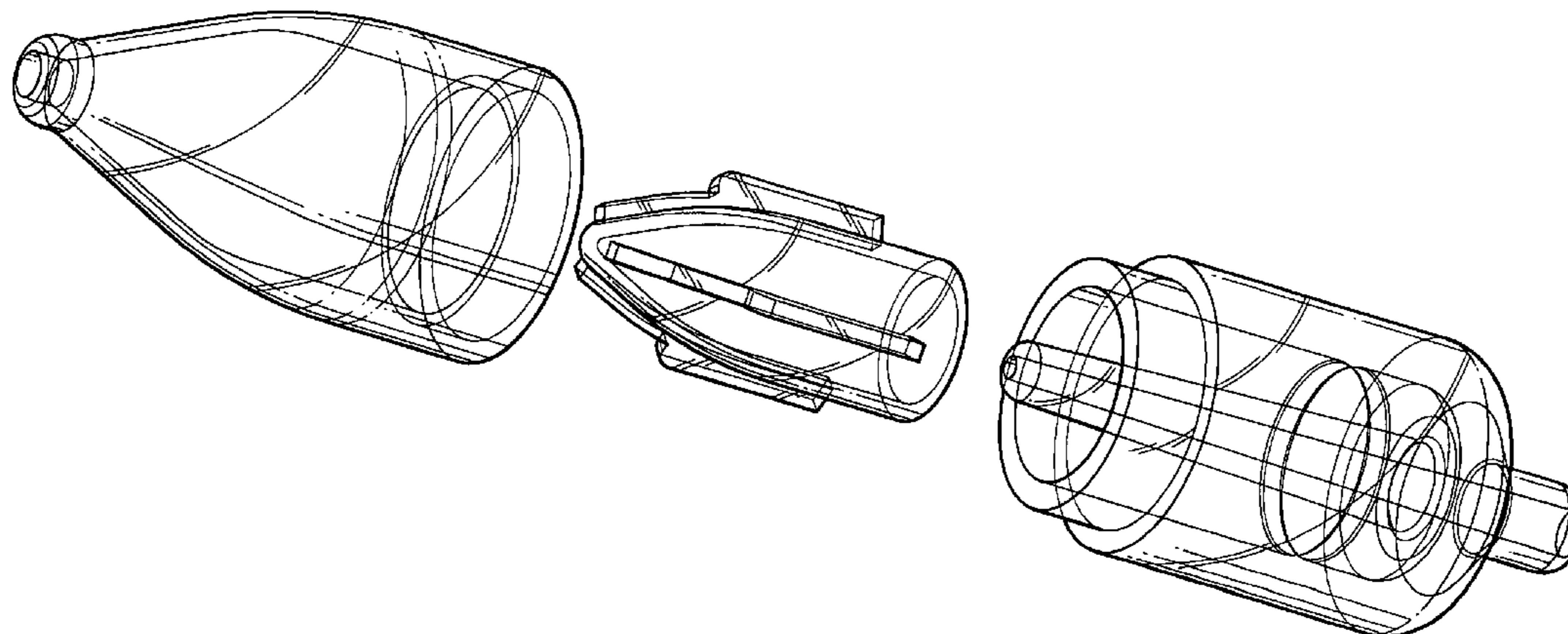
FIG. 4 is a Rear View of the front, middle and rear portion of the medical probe in consecutive positions of the portions as shown in FIG. 2; and,

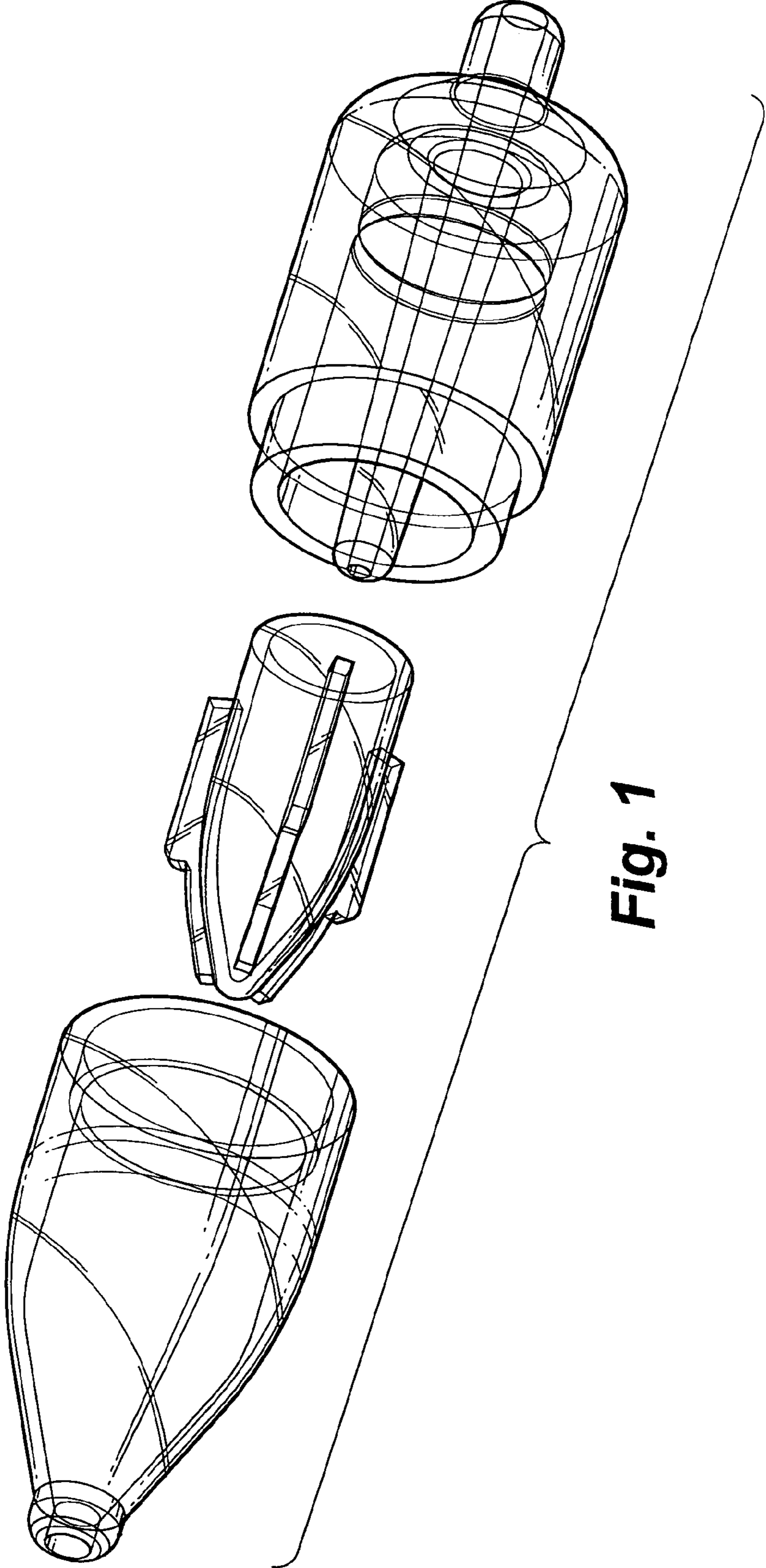
FIG. 5 is a Front Perspective View of the front, middle and rear portion of the medical probe, showing our new design in an assembled state.

The medical probe according to the invention as illustrated in FIGS. 1–5, while not being limited to, may be used as a probe for nose pumps for small children. As can be seen, it has a conical extension and a conical deflecting insert.

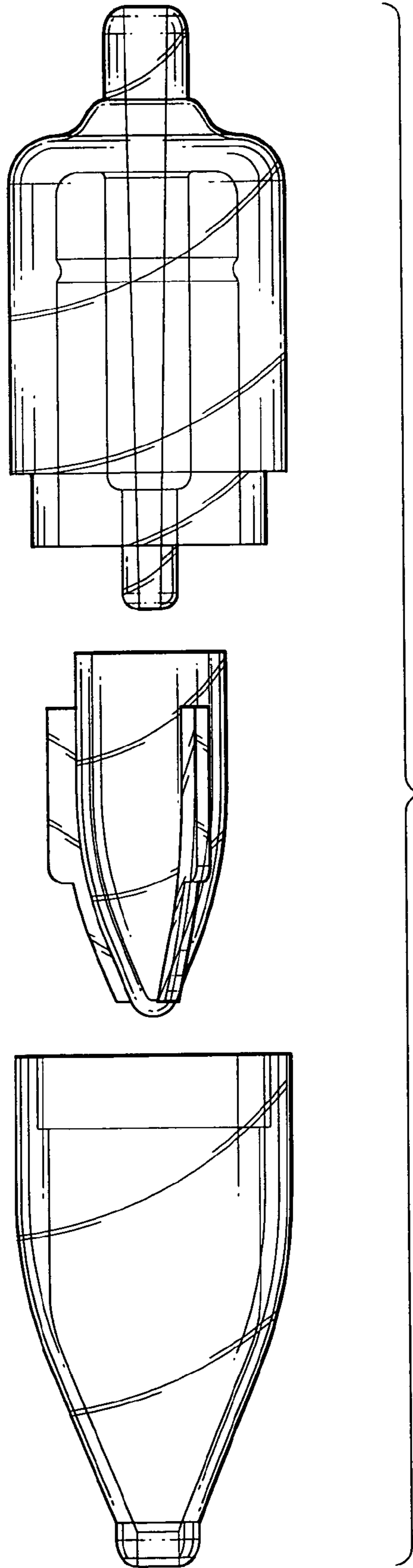
It should be understood that while the drawings illustrate a medical probe made of transparent material, the probe could be made out of an opaque material. Furthermore, the type of use of the illustrated medical probe is not to be limited by the examples given herein.

**1 Claim, 5 Drawing Sheets**

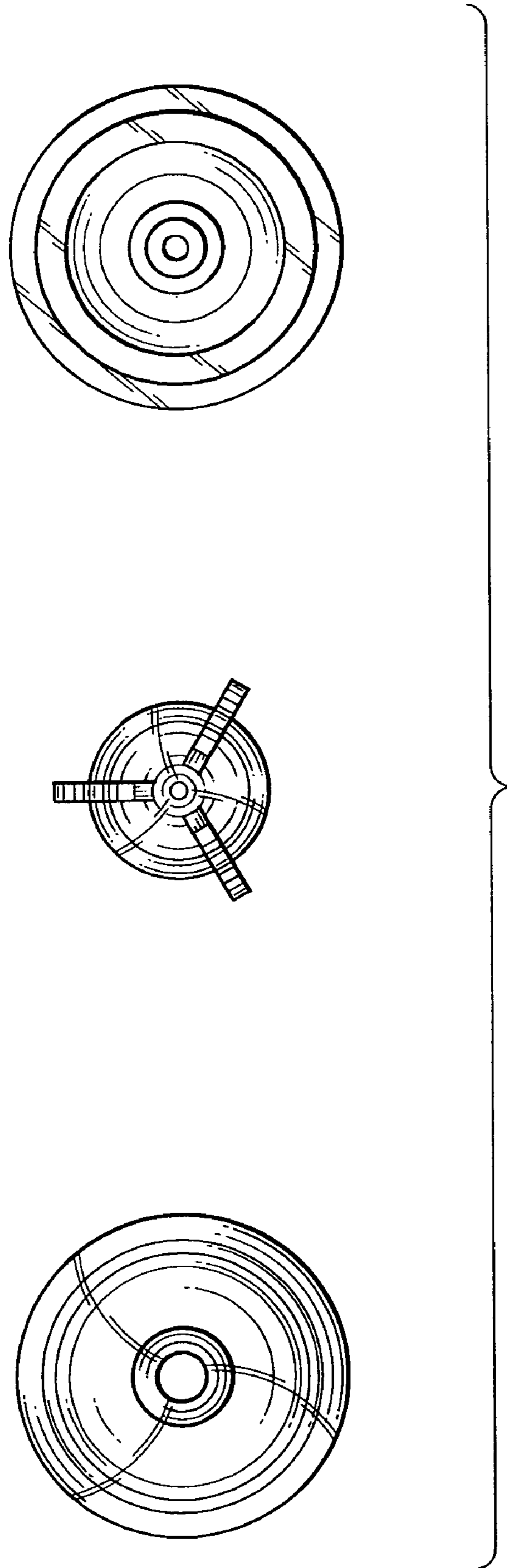




**Fig. 1**

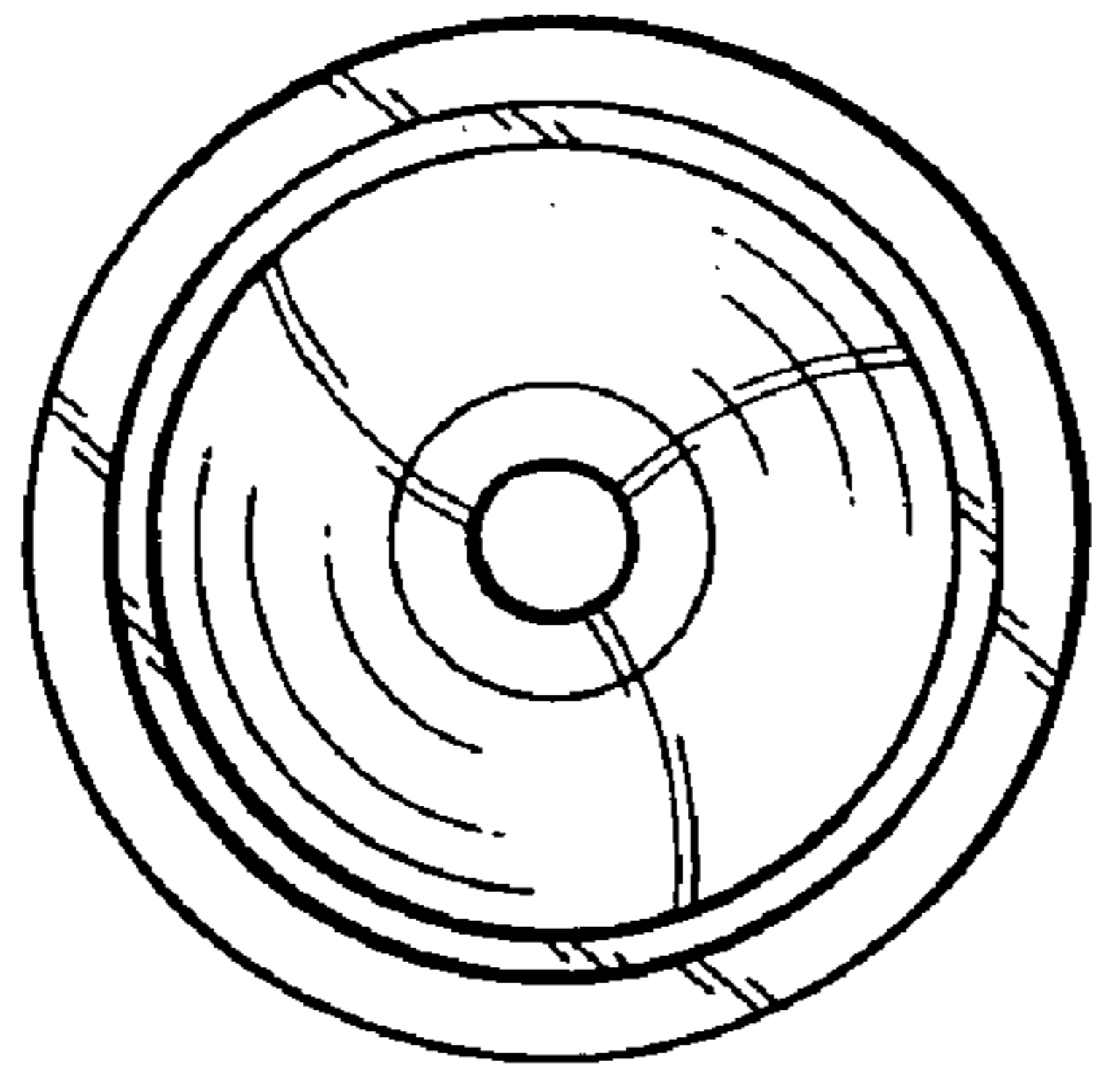
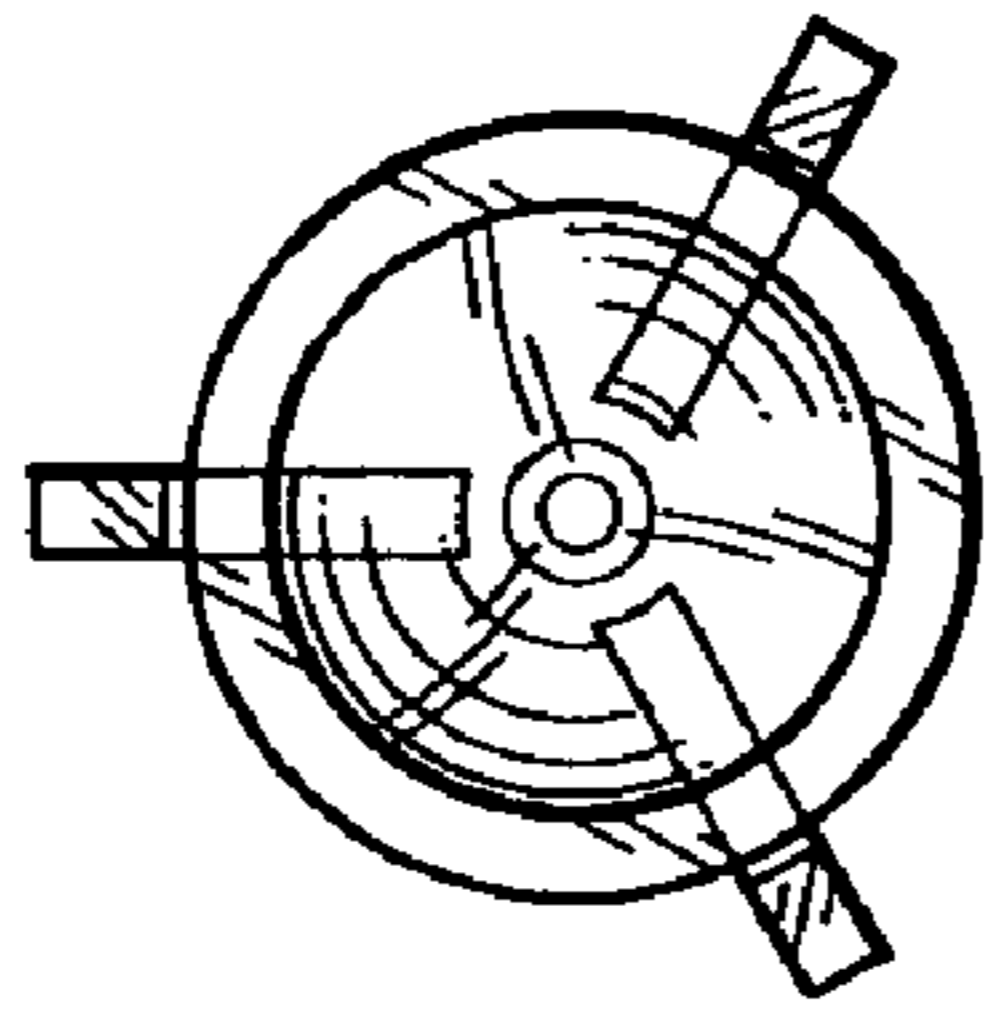
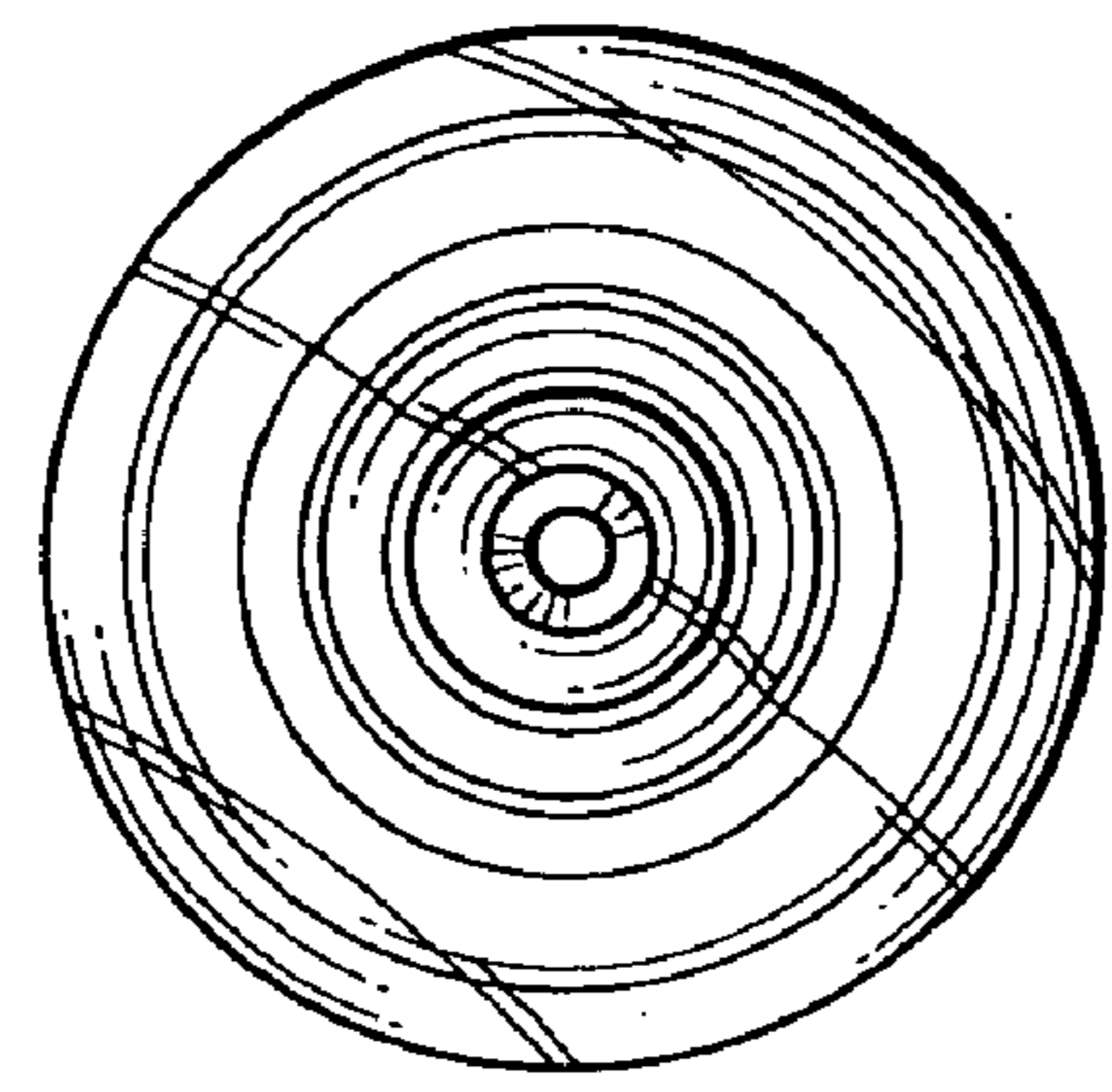


**Fig. 2**

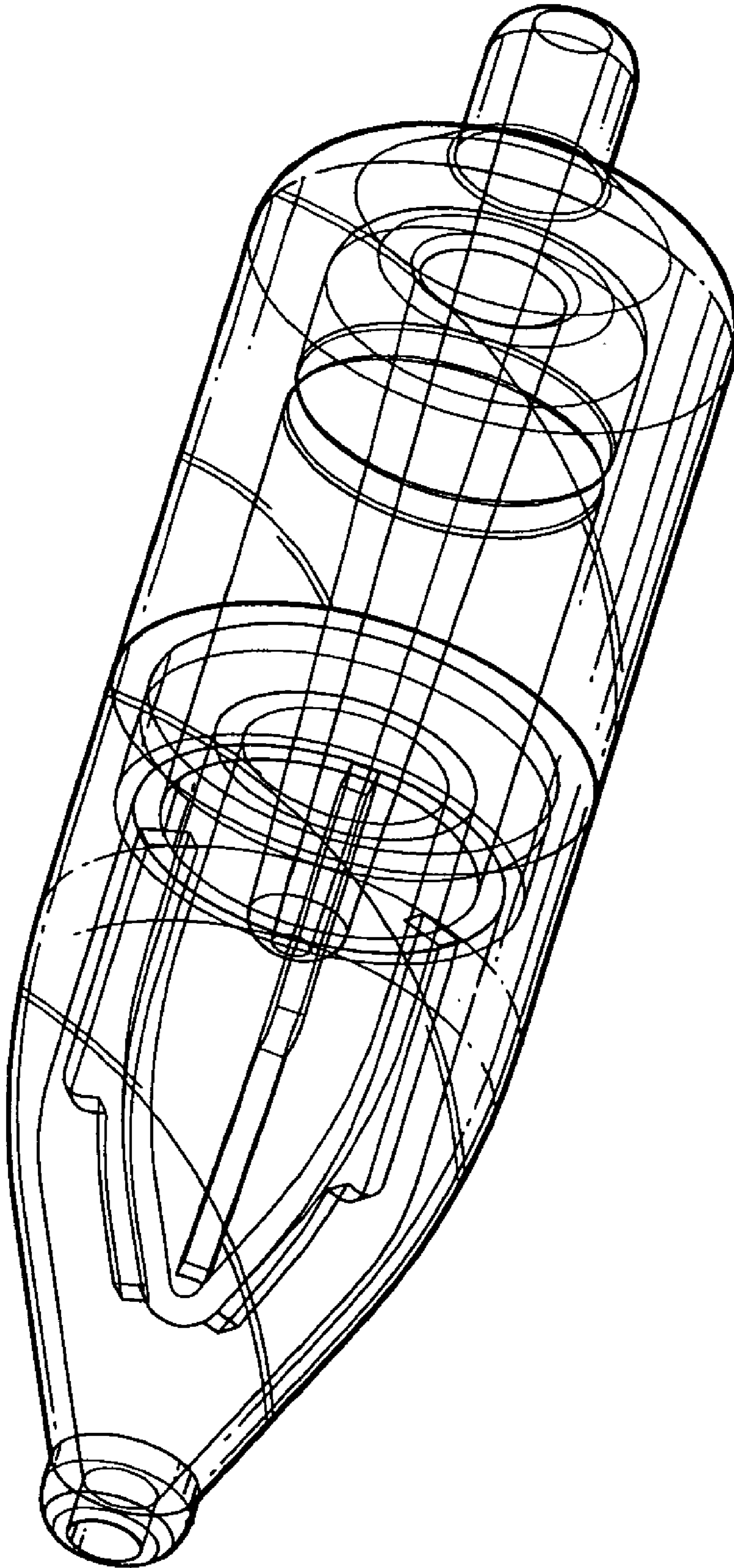


**Fig. 3**





**Fig. 4**



**Fig. 5**