



US00D547857S

(12) **United States Design Patent**  
**Lee**

(10) **Patent No.:** **US D547,857 S**  
(45) **Date of Patent:** **\*\* Jul. 31, 2007**

(54) **COMBINED CEILING FAN MOTOR HOUSING AND BLADE HOLDERS UNIT**

6,392,146 B1 5/2002 Tai  
D458,675 S 6/2002 Tai  
D478,381 S 8/2003 Tai  
D483,463 S 12/2003 Tai  
D483,464 S 12/2003 Tai  
D483,465 S 12/2003 Tai  
D483,847 S 12/2003 Tai

(75) Inventor: **Emily M. Lee**, Monterey Park, CA (US)

(73) Assignee: **Landmark Enterprise Inc.**, Bandar Seri Begawan (BN)

(Continued)

(\*\*) Term: **14 Years**

*Primary Examiner*—Lisa Lichtenstein

(74) *Attorney, Agent, or Firm*—Morrison & Foerster LLP

(21) Appl. No.: **29/263,232**

(22) Filed: **Jul. 18, 2006**

(51) **LOC (8) Cl.** ..... **23-04**

(52) **U.S. Cl.** ..... **D23/411**

(58) **Field of Classification Search** ..... D23/411,  
D23/377, 379, 385; 416/5; 392/364  
See application file for complete search history.

(56) **References Cited**

U.S. PATENT DOCUMENTS

5,458,464	A *	10/1995	Lee	.....	D23/411
D367,321	S *	2/1996	Holbrook	.....	D23/411
5,508,484	A	4/1996	Chen		
D388,870	S *	1/1998	Holbrook	.....	D23/411
D396,530	S	7/1998	Tai		
D404,808	S	1/1999	Tai		
D404,809	S	1/1999	Tai		
D405,878	S	2/1999	Tai		
D408,073	S	4/1999	Tai		
D408,074	S	4/1999	Tai		
D408,516	S	4/1999	Tai		
D409,297	S	5/1999	Tai		
5,944,487	A *	8/1999	Pearce	.....	416/244 R
6,059,531	A	5/2000	Tai		
6,135,618	A	10/2000	Tai		
6,259,025	B1	7/2001	Tai		
6,379,116	B1	4/2002	Tai		
D457,947	S	5/2002	Tai		

(57) **CLAIM**

The ornamental design for a combined ceiling fan motor housing and blade holders unit, as shown and described.

**DESCRIPTION**

FIG. 1 is a perspective view of a combined ceiling fan motor housing and blade holders unit showing my new design in use.

FIG. 2 is an enlarged perspective view of the motor housing and blade holders in accordance with the present invention;

FIG. 3 is an enlarged perspective view of the motor housing and blade holders in accordance with the present invention;

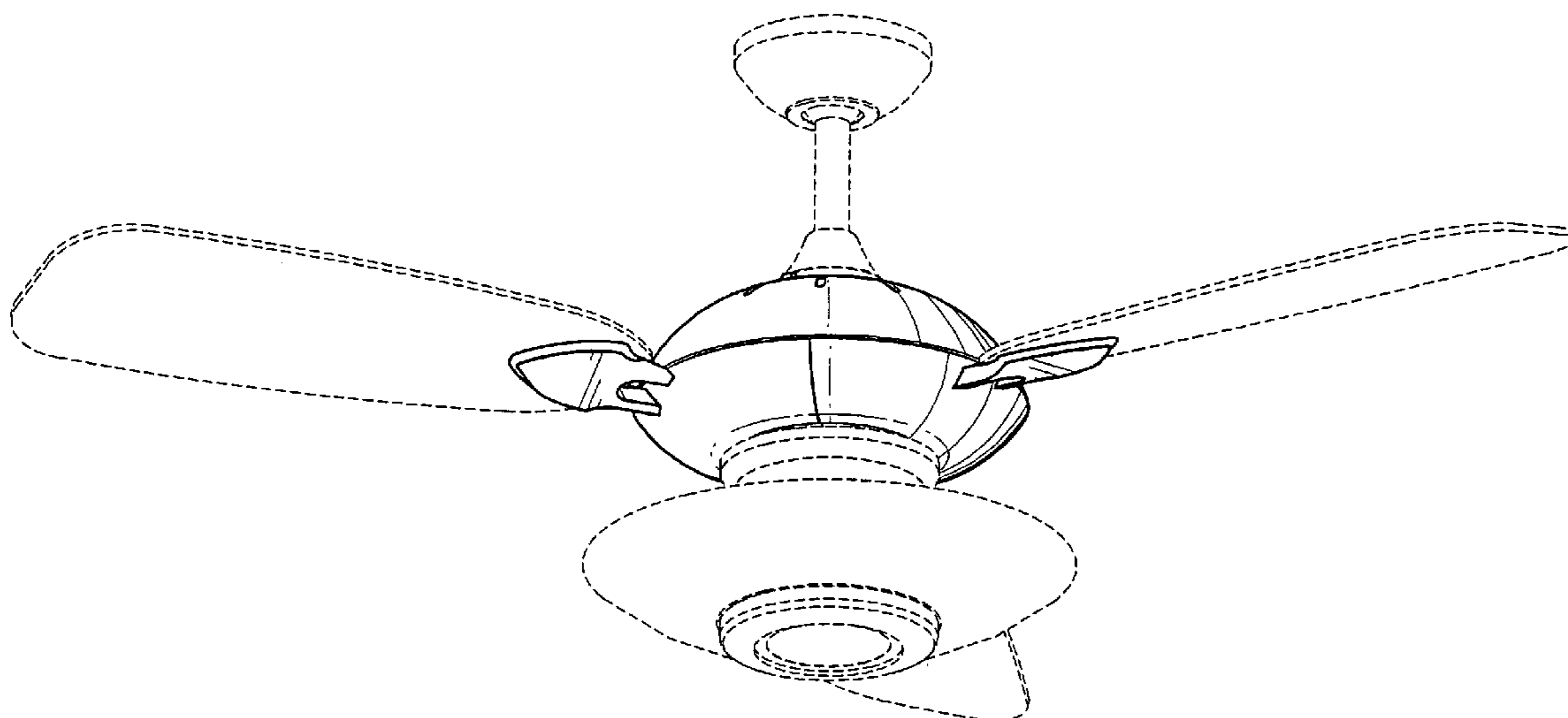
FIG. 4 is a slightly enlarged top view of the motor housing and blade holders in accordance with the present invention;

FIG. 5 is a slightly enlarged bottom view of the motor housing and blade holders in accordance with the present invention; and,

FIG. 6 is a side view of the motor housing and blade holders in accordance with the present invention.

The broken line showing of the blades, canopy, support rod and light fixture of a ceiling fan in FIG. 1 is included for the purpose of illustrating environmental structure and forms no part of the claimed design.

**1 Claim, 4 Drawing Sheets**



# US D547,857 S

Page 2

---

## U.S. PATENT DOCUMENTS

D483,848 S	12/2003	Tai		D503,472 S	3/2005	Tai	
D484,588 S	12/2003	Tai		D503,473 S	3/2005	Tai	
D483,850 S	1/2004	Tai		D503,474 S	3/2005	Tai	
D484,849 S	1/2004	Tai		D503,475 S	3/2005	Tai	
D484,969 S	1/2004	Tai		D503,476 S	3/2005	Tai	
D485,344 S	1/2004	Tai		D503,795 S	4/2005	Tai	
D485,609 S	1/2004	Tai		D504,173 S	4/2005	Tai	
D485,611 S	1/2004	Tai		D505,197 S	5/2005	Tai	
D485,897 S	1/2004	Tai		D505,724 S	5/2005	Tai	
D487,506 S *	3/2004	Burns	..... D23/411	D507,644 S	7/2005	Tai	
D490,888 S	6/2004	Tai		D507,830 S	7/2005	Tai	
D494,705 S	8/2004	Tai		D518,887 S *	4/2006	Tai	..... D23/411
D501,578 S	2/2005	Tai		D531,305 S *	10/2006	Glasbrenner	..... D23/411

\* cited by examiner

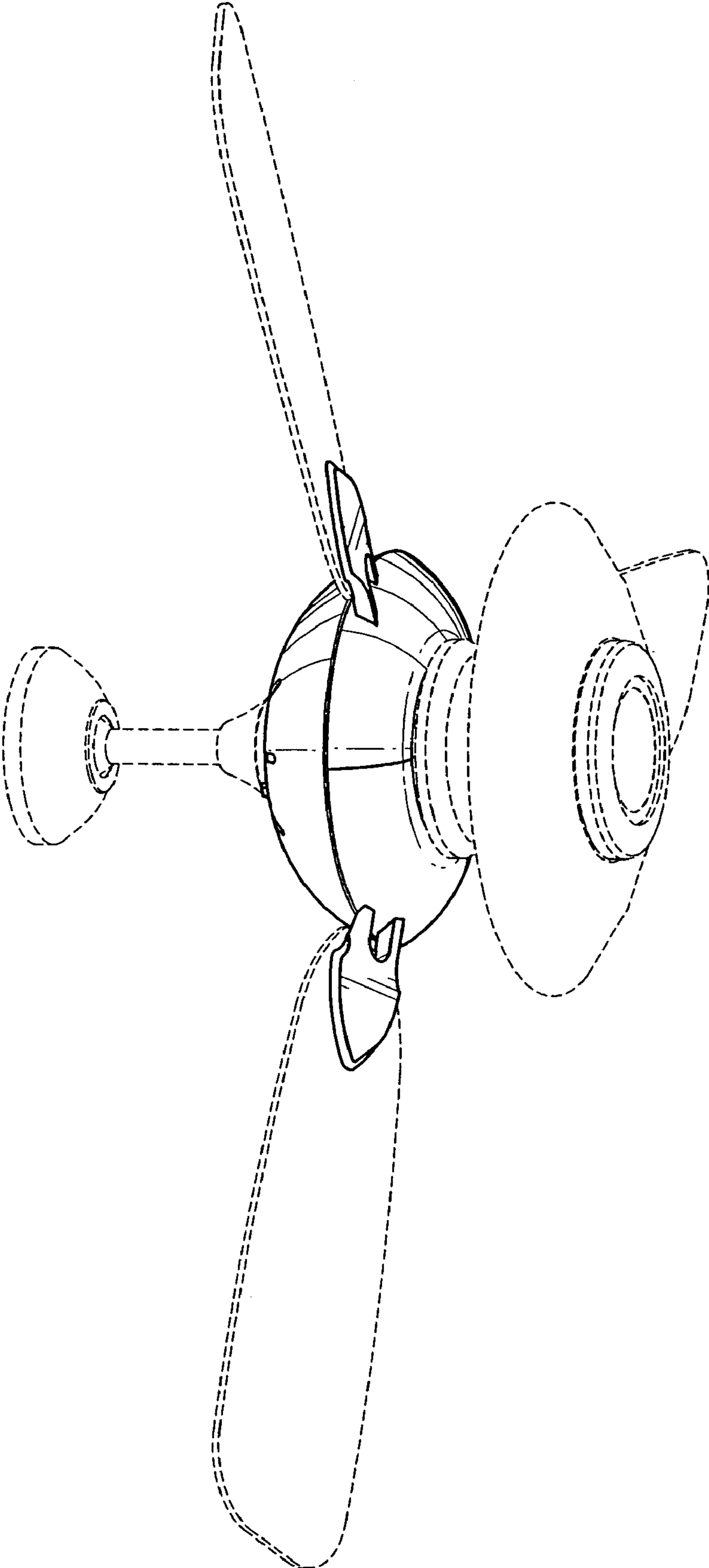


FIG. 1

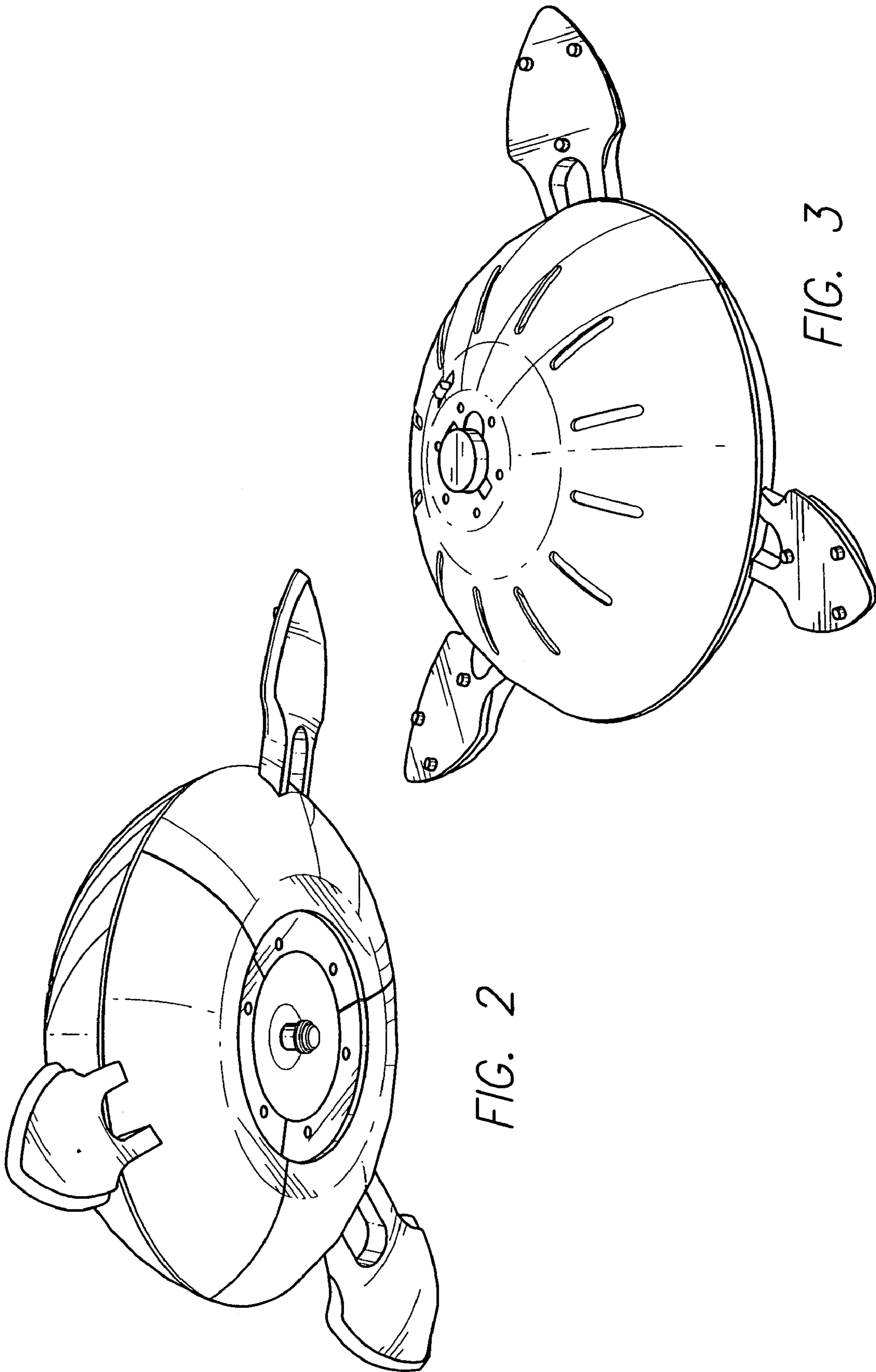


FIG. 2

FIG. 3

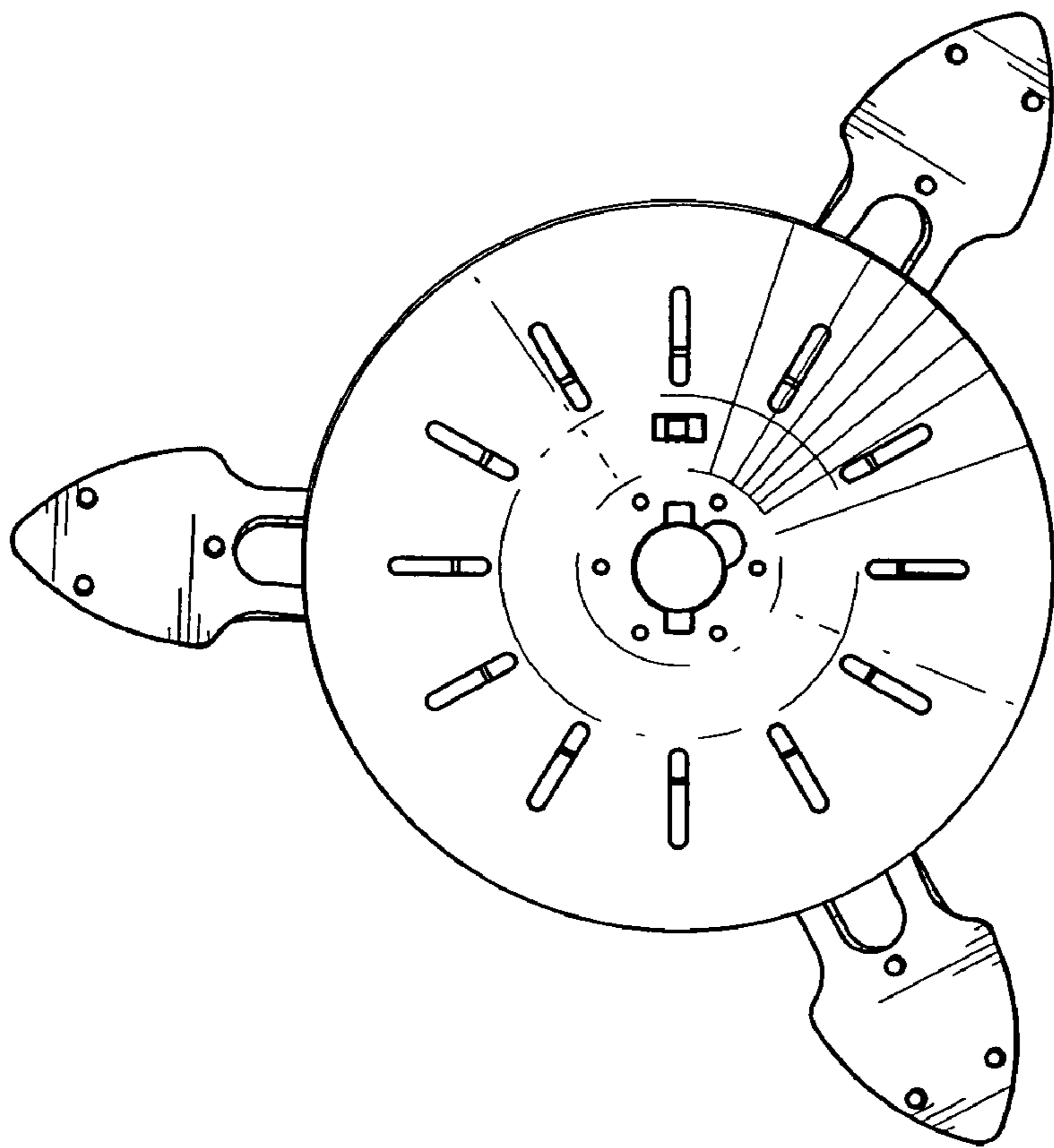


FIG. 4

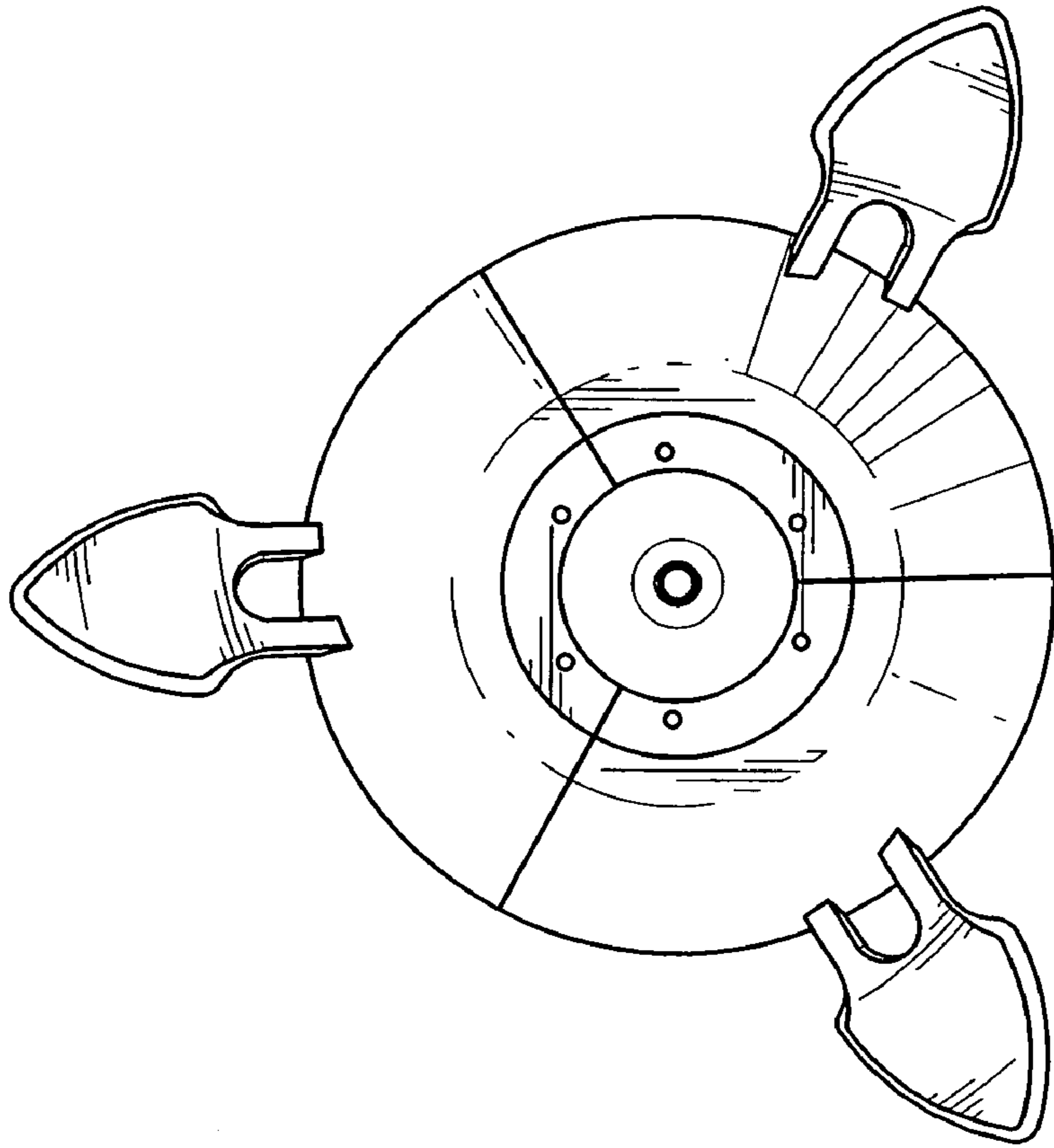


FIG. 5

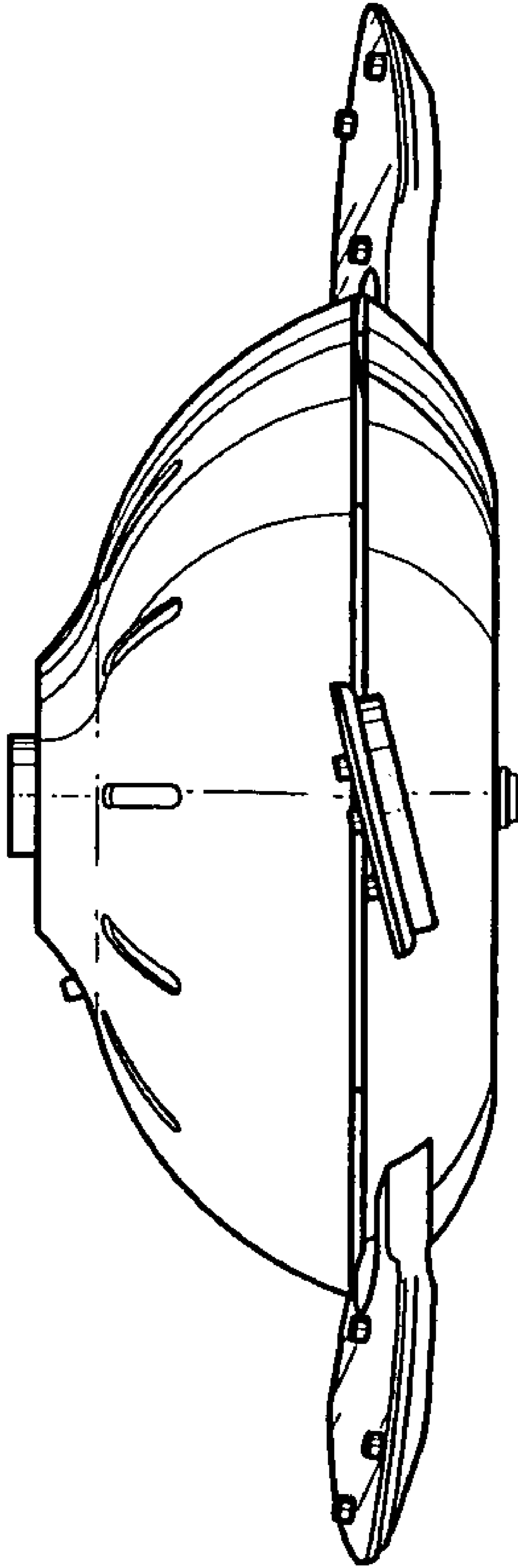


FIG. 6