



US00D547856S

(12) **United States Design Patent**  
**Shurtleff**

(10) **Patent No.:** **US D547,856 S**

(45) **Date of Patent:** **\*\* Jul. 31, 2007**

(54) **CEILING FAN MOTOR HOUSING**

D524,437 S \* 7/2006 Holmes ..... D23/411  
D530,004 S \* 10/2006 Curtin ..... D23/411

(75) Inventor: **Mark L. Shurtleff**, Long Beach, CA  
(US)

\* cited by examiner

(73) Assignee: **Landmark Enterprise Inc.**, Bandar  
Seri Begawan (BN)

*Primary Examiner*—Lisa Lichtenstein  
(74) *Attorney, Agent, or Firm*—Troxell Law Office, PLLC

(\*\*) Term: **14 Years**

(57) **CLAIM**

(21) Appl. No.: **29/261,542**

I claim the ornamental design for a ceiling fan motor housing, as shown and described.

(22) Filed: **Jun. 16, 2006**

**DESCRIPTION**

(51) **LOC (8) Cl.** ..... **23-04**

(52) **U.S. Cl.** ..... **D23/411**

(58) **Field of Classification Search** ..... D23/411,  
D23/377, 379, 385; 416/5; 392/364  
See application file for complete search history.

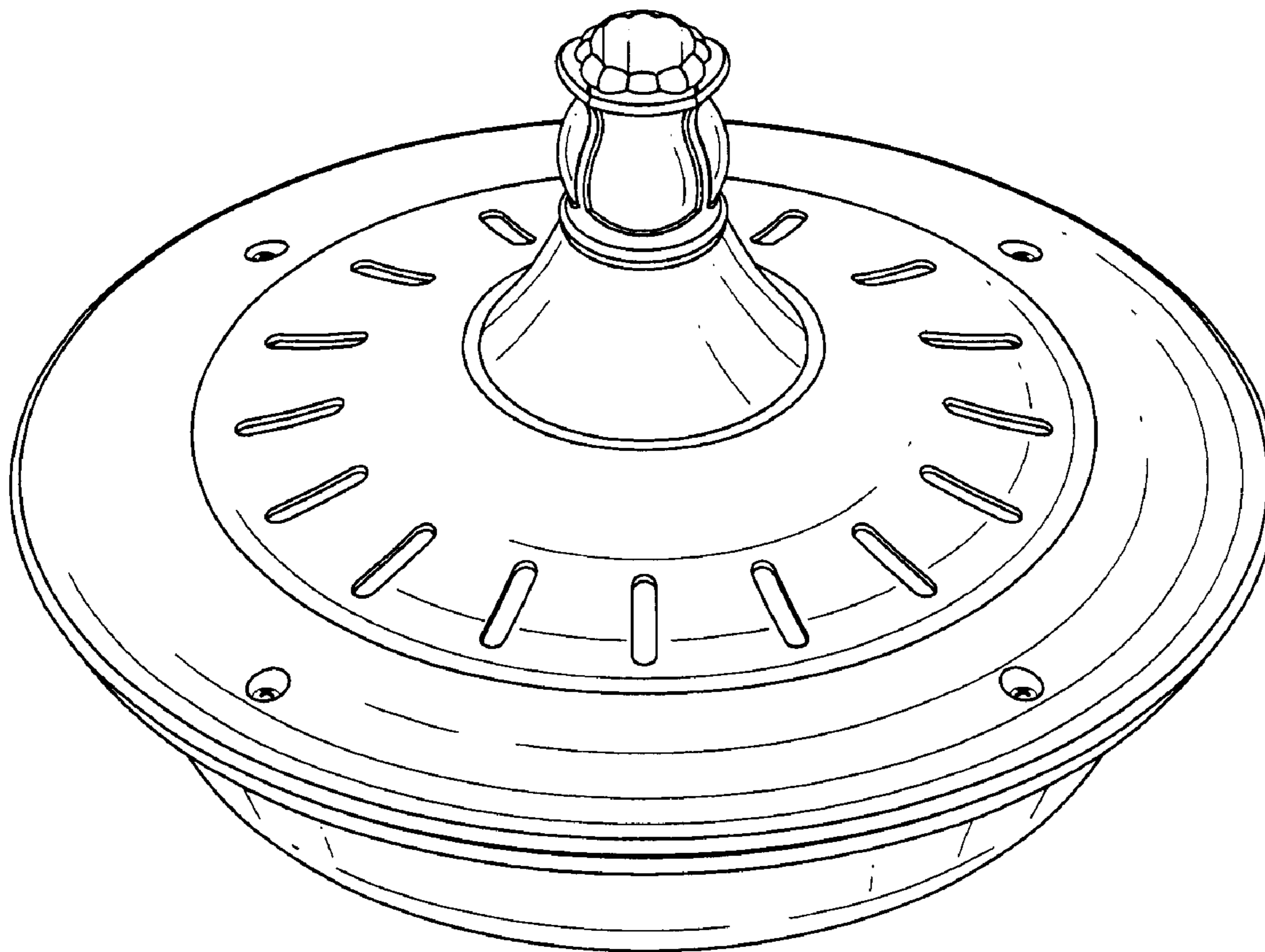
FIG. 1 is a front perspective view of a ceiling fan motor housing showing my new design;  
FIG. 2 is a front elevational view thereof;  
FIG. 3 is a rear elevational view thereof.  
FIG. 4 is a left side elevational view thereof;  
FIG. 5 is a right side elevational view thereof;  
FIG. 6 is a top plan view thereof; and,  
FIG. 7 is a bottom plan view thereof.

(56) **References Cited**

**U.S. PATENT DOCUMENTS**

D523,951 S \* 6/2006 Pickett ..... D23/411

**1 Claim, 5 Drawing Sheets**



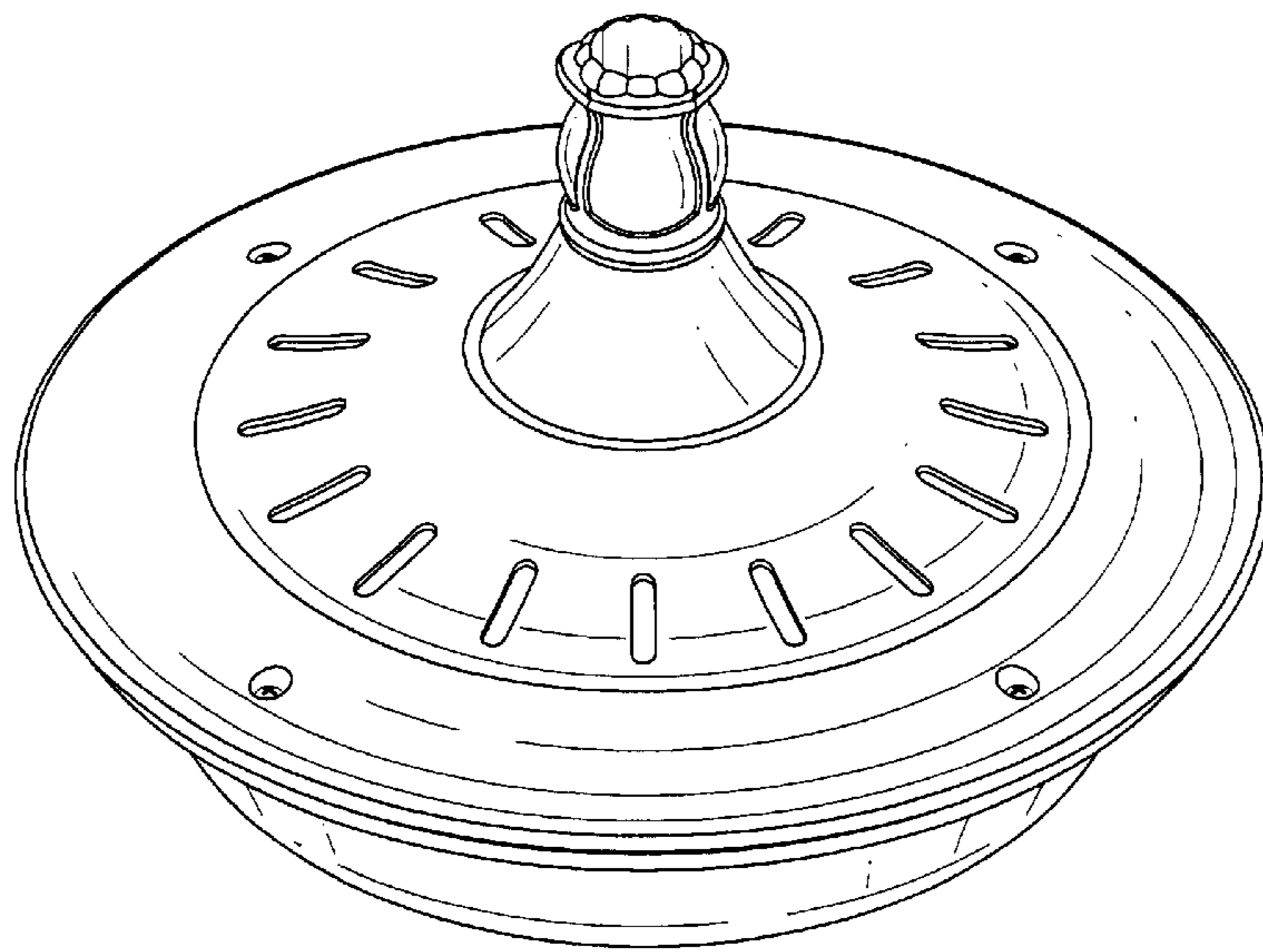


FIG. 1

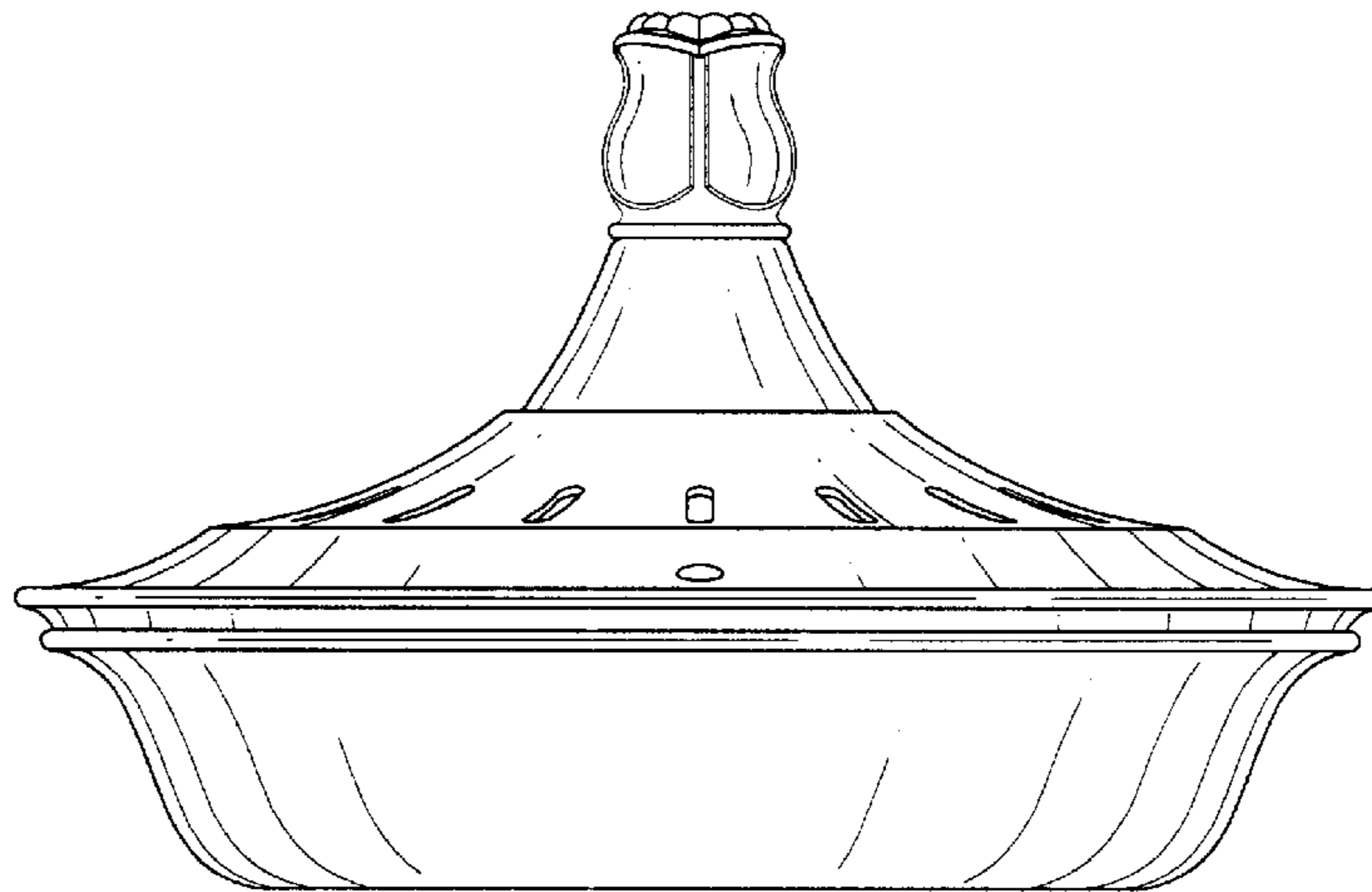


FIG. 2

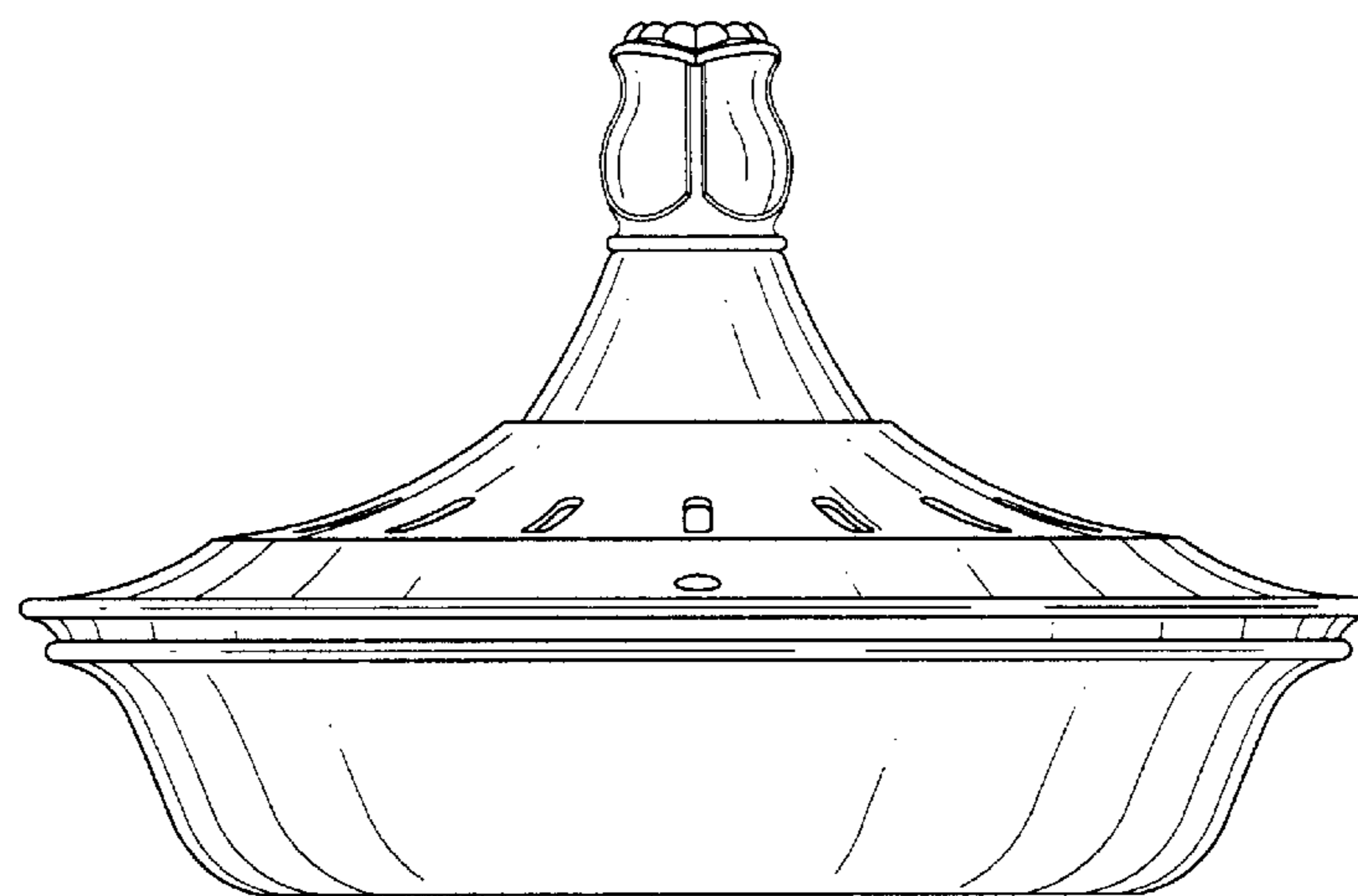


FIG. 3

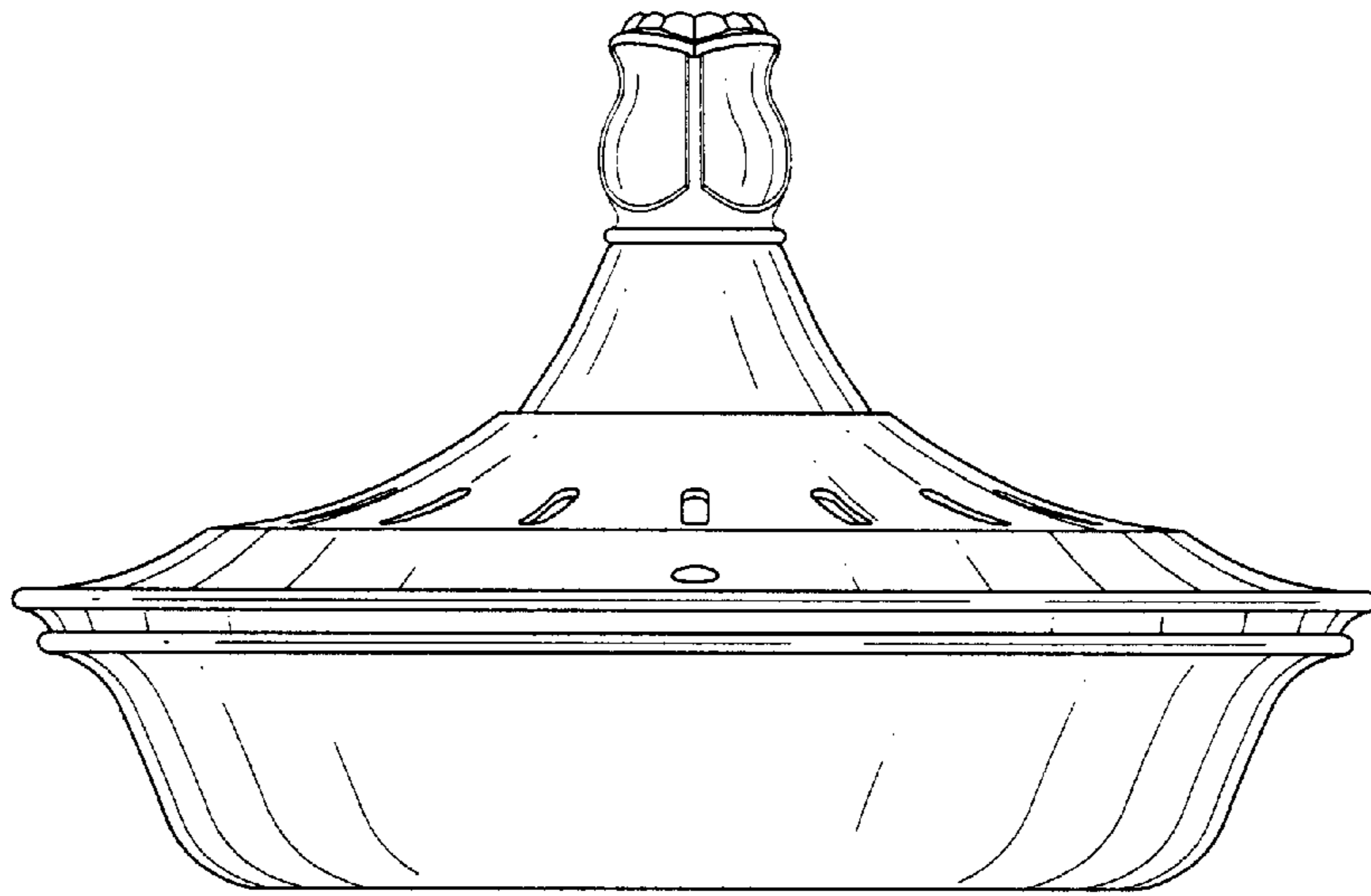


FIG. 4

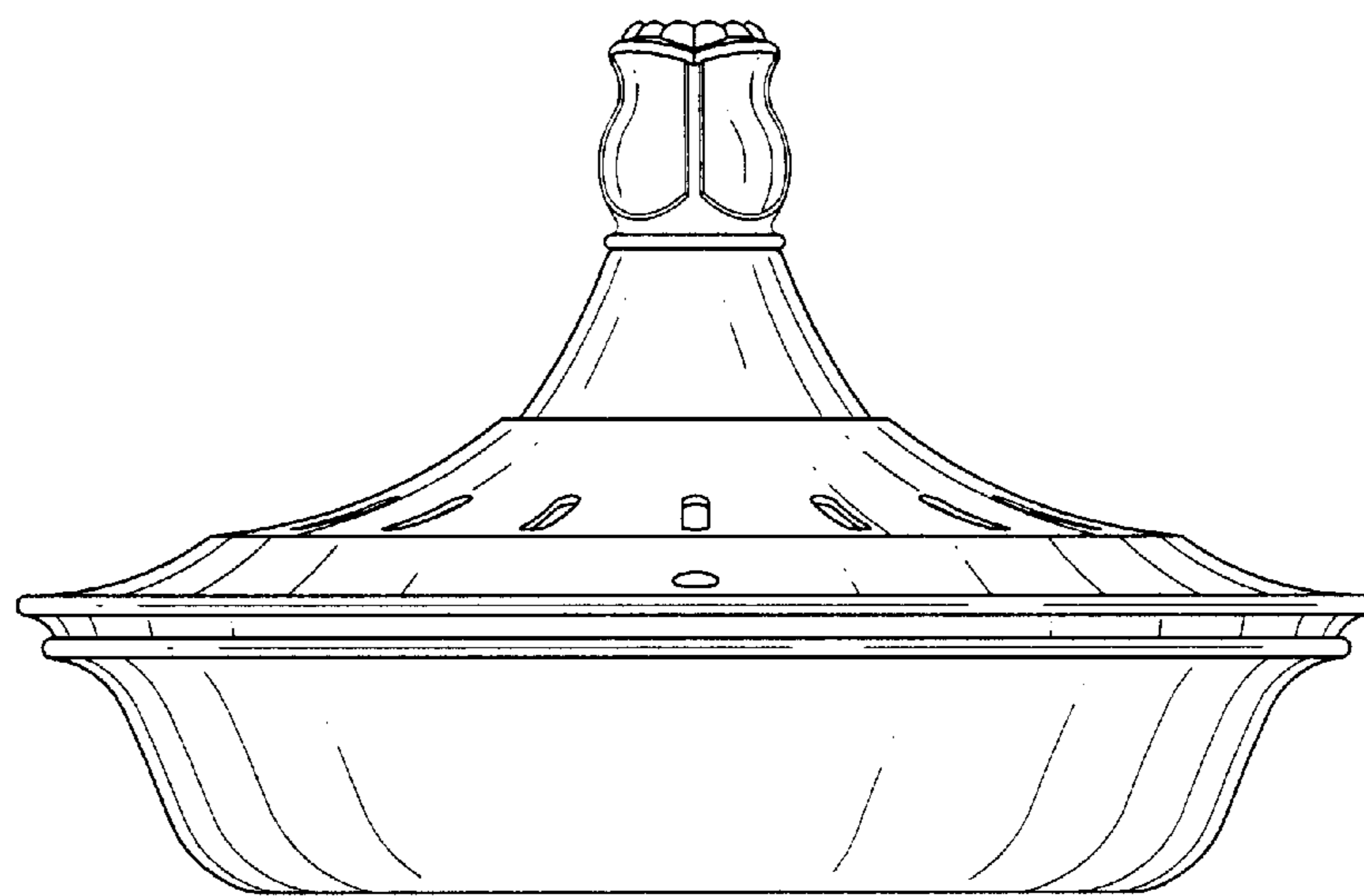


FIG. 5

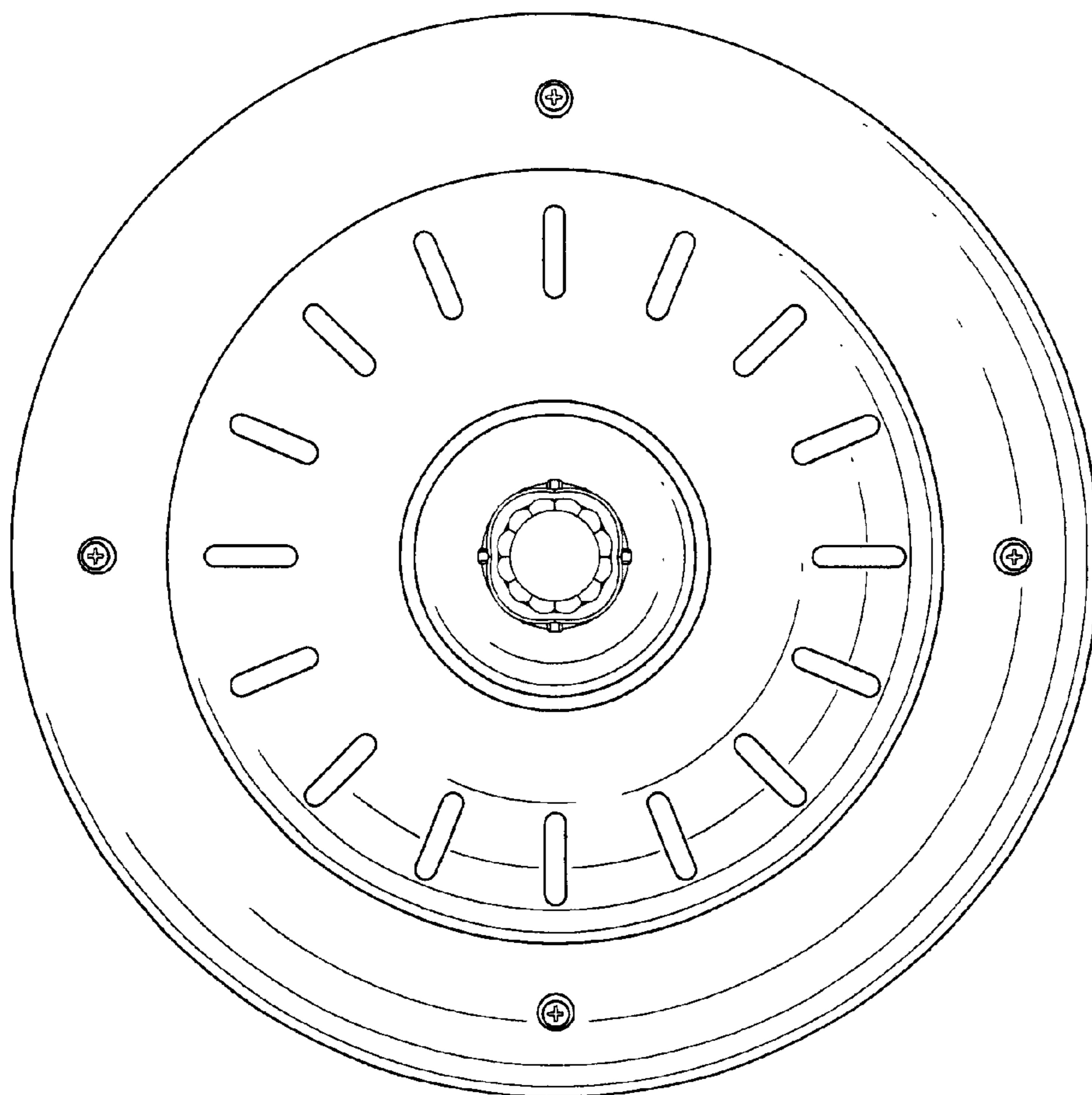


FIG. 6



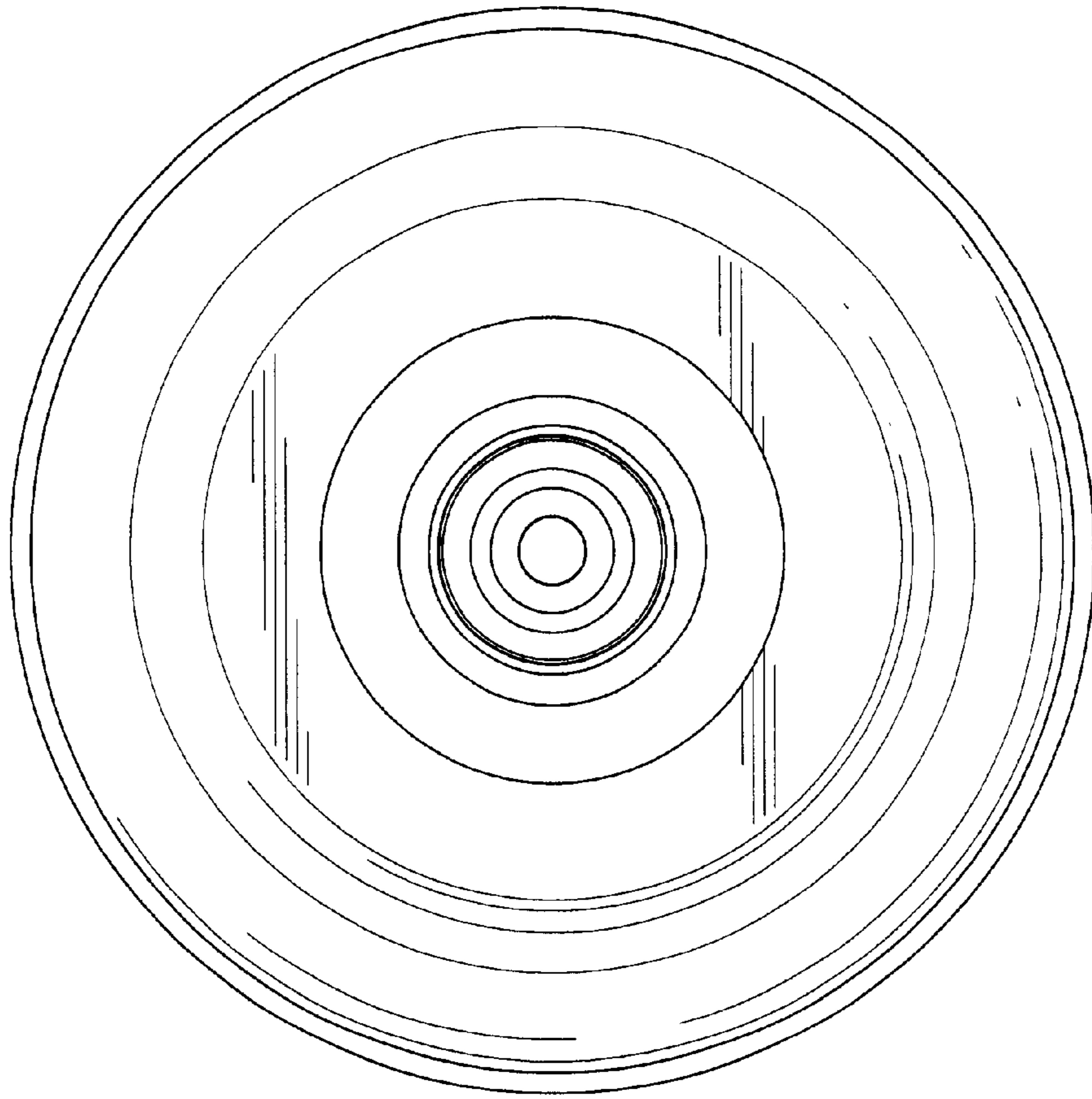


FIG. 7