

US00D547854S

(12) **United States Design Patent**
Russak et al.

(10) **Patent No.: US D547,854 S**

(45) **Date of Patent: ** Jul. 31, 2007**

(54) **MULTI-PIVOT TOWER FAN**

D352,105 S * 11/1994 Chen D23/380
D423,663 S * 4/2000 Rossman et al. D23/411
D447,552 S * 9/2001 Lee et al. D23/382
D457,618 S * 5/2002 Lee et al. D23/382

(75) Inventors: **Stephen Russak**, Demarest, NJ (US);
Anthony DeMore, Chardon, OH (US);
Steven Vordenberg, New York, NY
(US)

* cited by examiner

(73) Assignee: **Kaz, Incorporated**, New York, NY
(US)

Primary Examiner—Lisa Lichtenstein
(74) *Attorney, Agent, or Firm*—Darby & Darby

(**) Term: **14 Years**

(57) **CLAIM**

(21) Appl. No.: **29/257,275**

The ornamental design for a multi-pivot tower fan, as shown and described.

(22) Filed: **Mar. 31, 2006**

DESCRIPTION

(51) **LOC (8) Cl.** **23-04**

(52) **U.S. Cl.** **D23/380**

(58) **Field of Classification Search** D23/380,
D23/370, 378, 381, 382, 335–336; 416/246,
416/247 R

FIG. 1 is a front elevation view of a new design for a multi-pivot tower fan design;
FIG. 2 is a right elevation view thereof;
FIG. 3 is a rear elevation view thereof;
FIG. 4 is a top plan view thereof;
FIG. 5 is a bottom plan view thereof; and,
FIG. 6 is a rear perspective view thereof.

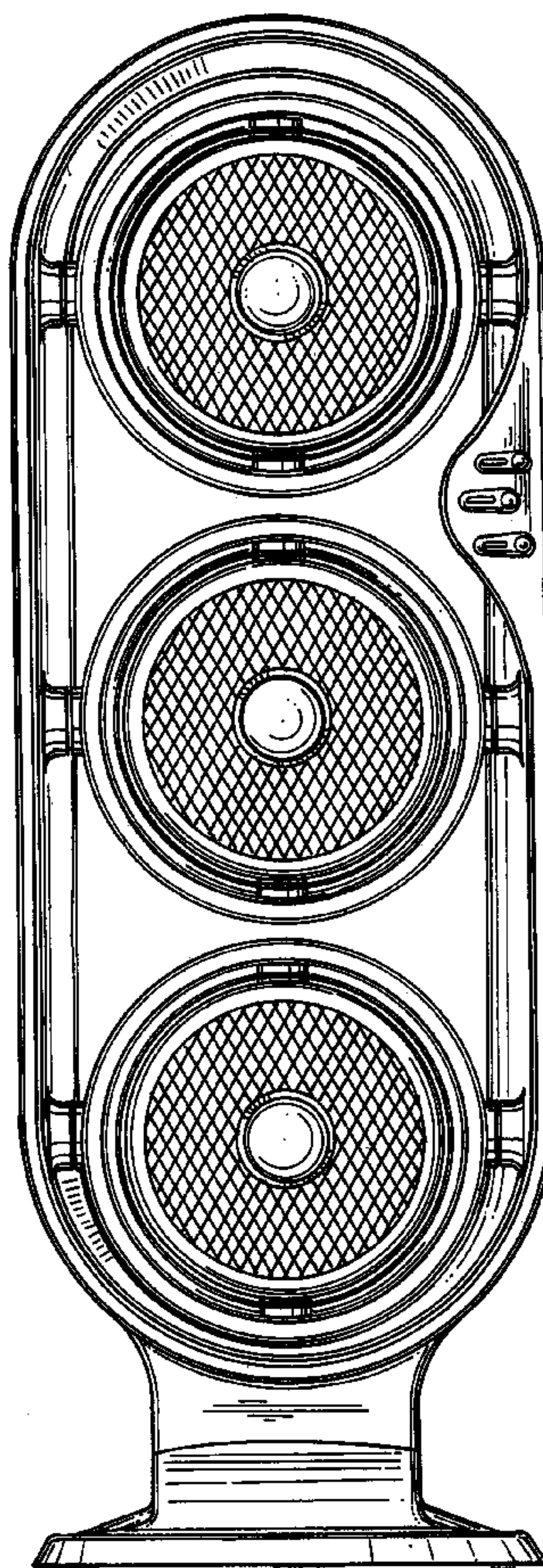
See application file for complete search history.

(56) **References Cited**

U.S. PATENT DOCUMENTS

2,626,742 A * 1/1953 Turner 416/120

1 Claim, 5 Drawing Sheets



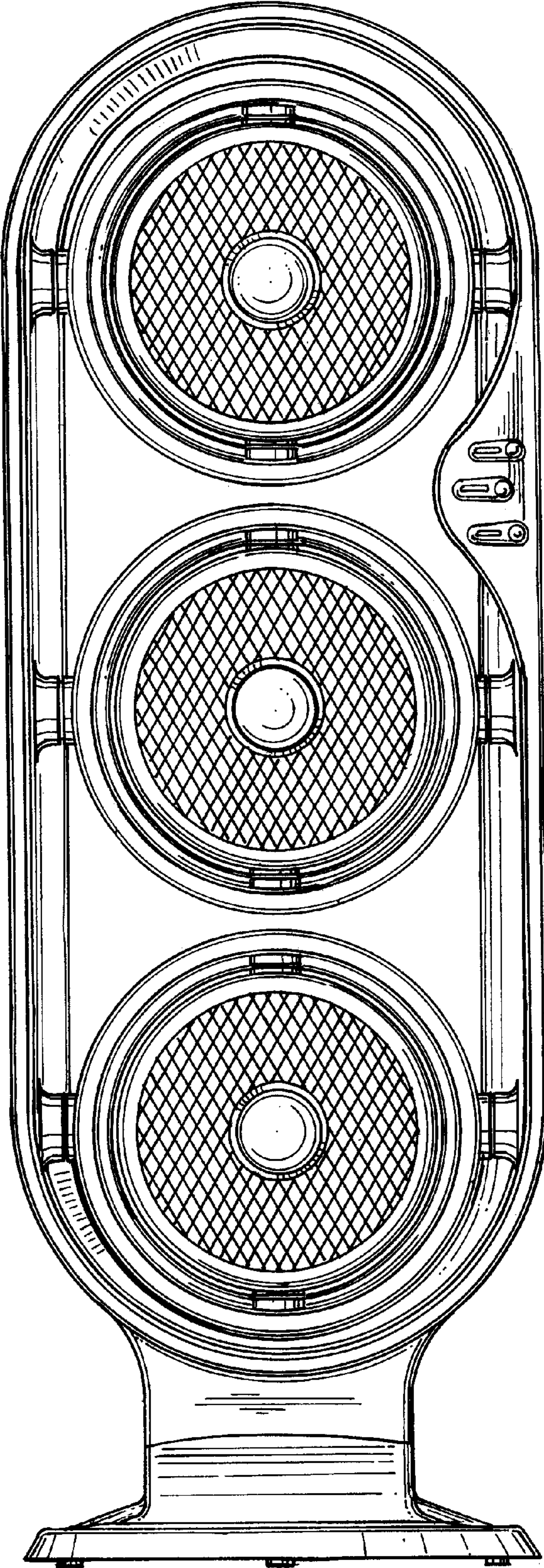


FIG. 1

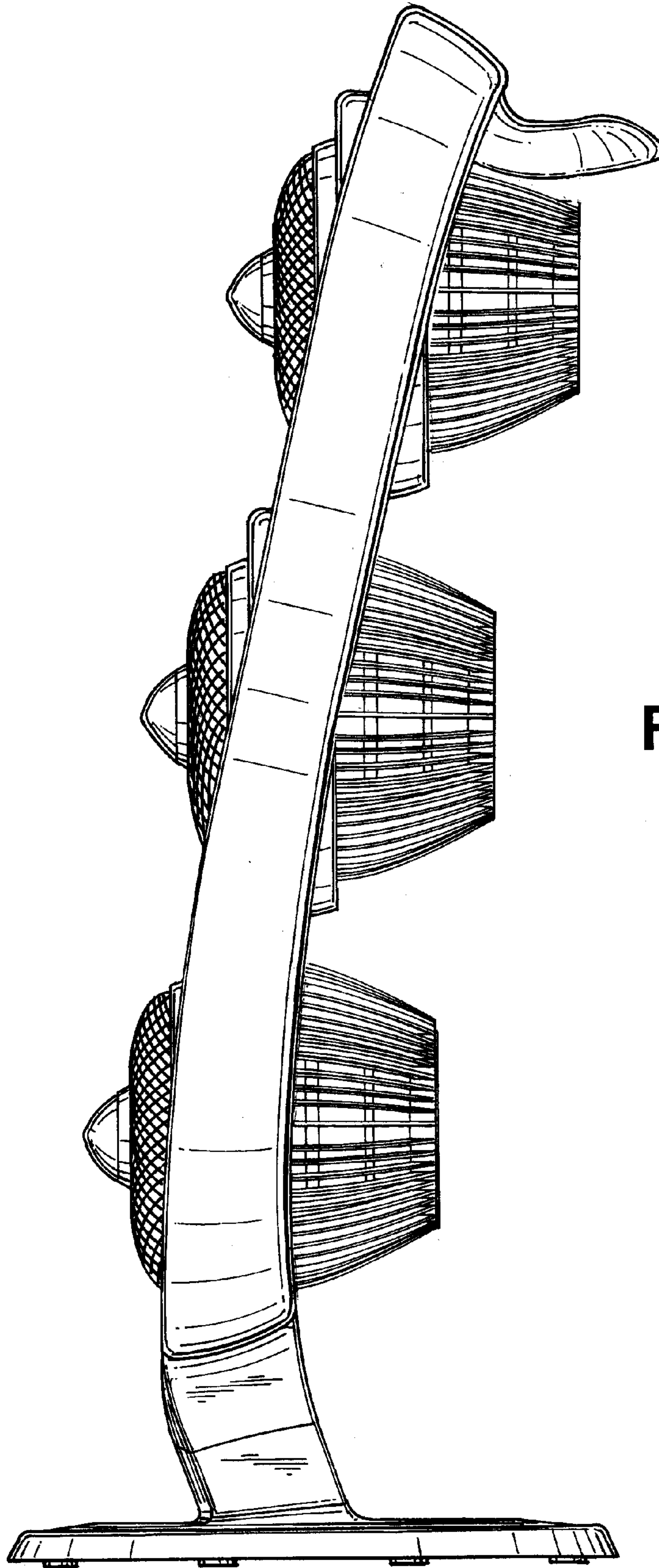


FIG. 2

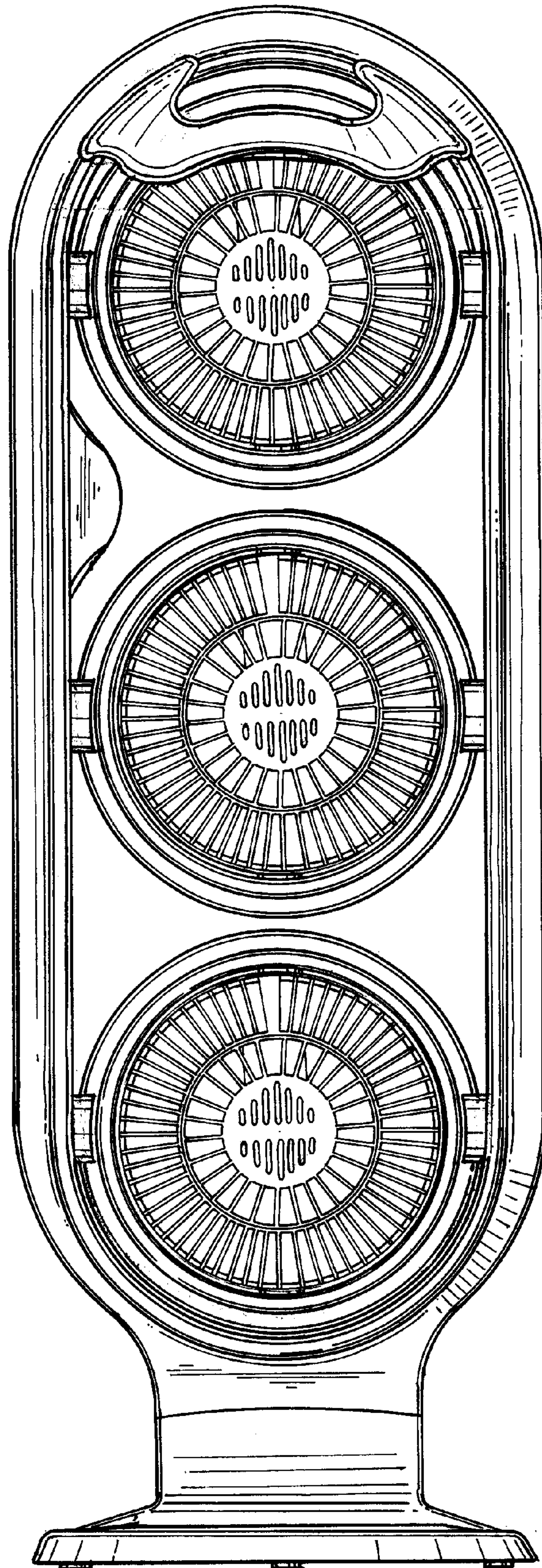


FIG. 3

FIG. 4

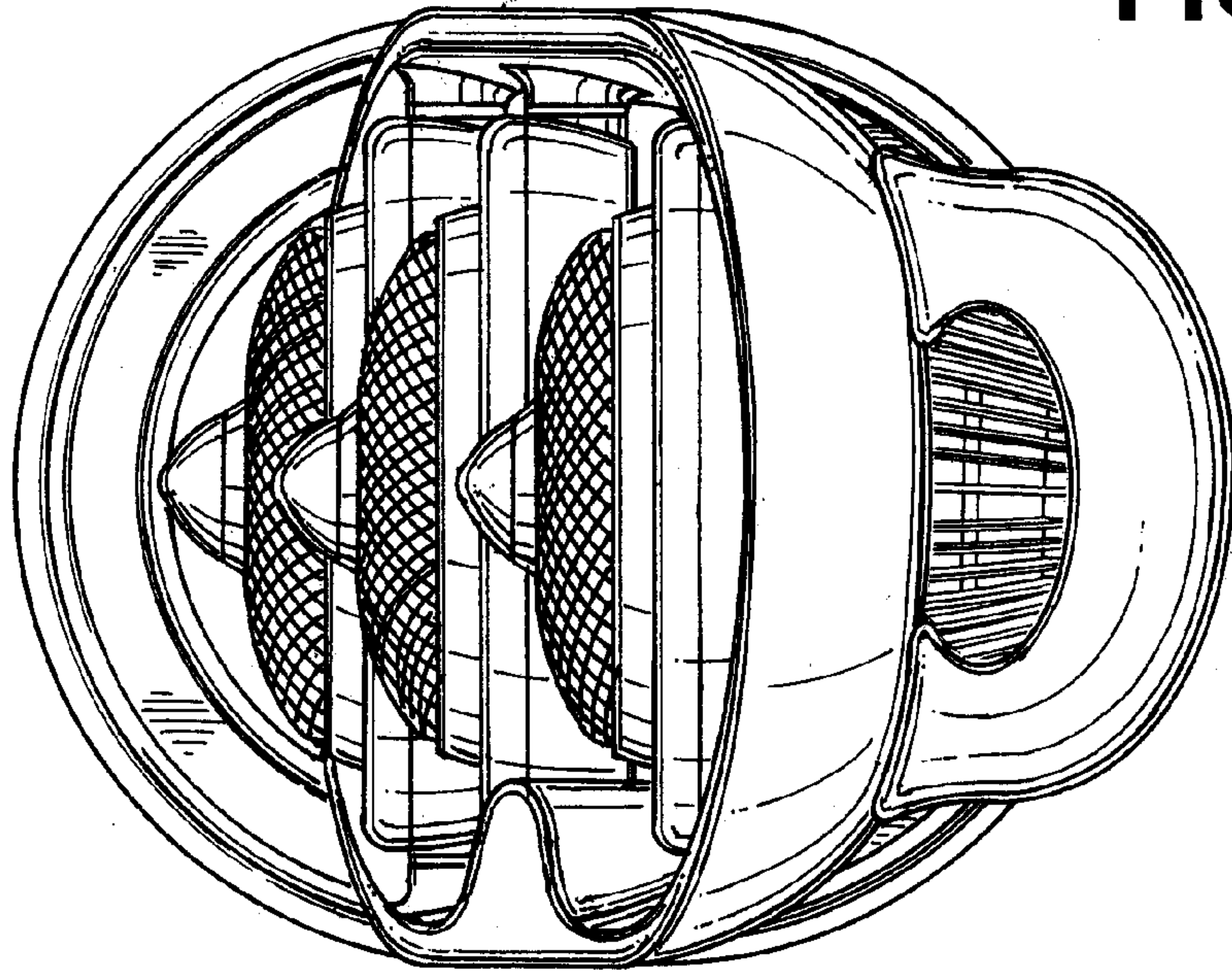


FIG. 5

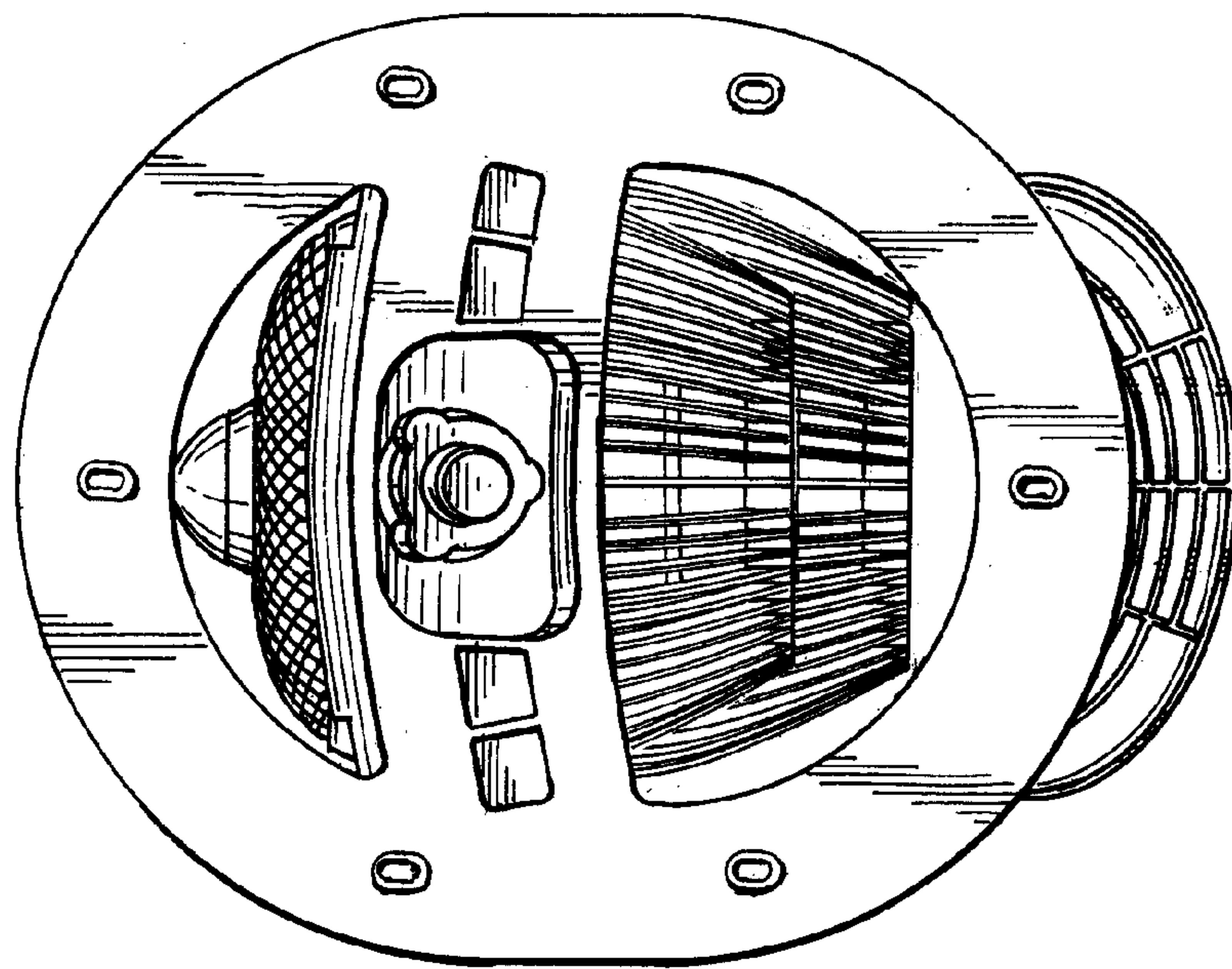


FIG. 6

