

US00D547849S

(12) **United States Design Patent**
Francisquini

(10) **Patent No.:** **US D547,849 S**

(45) **Date of Patent:** **** Jul. 31, 2007**

(54) **AIR CONDITIONER FOR ELECTRIC PANELS**

D529,594 S * 10/2006 Pruitt D23/351

* cited by examiner

(76) Inventor: **Melquisedec Francisquini**, Rua Dr. Oscar Monteiro de Barros, 580 apt. 11, Vila Suzana, Sao Paulo (BR)

Primary Examiner—Brian N Vinson
(74) *Attorney, Agent, or Firm*—William J. Sapone; Coleman Sudol Sapone P.C.

(**) Term: **14 Years**

(57) **CLAIM**

(21) Appl. No.: **29/226,941**

I claim the ornamental design for an air conditioner for electric panels, as shown and described.

(22) Filed: **Apr. 4, 2005**

(51) **LOC (8) Cl.** **23-04**

(52) **U.S. Cl.** **D23/351**

(58) **Field of Classification Search** D23/351-354;
62/259.1, 259.4, 262-263, 298; 312/236;
454/201-204

See application file for complete search history.

DESCRIPTION

FIG. 1 is a front perspective view of the air conditioner showing my new design;

FIG. 2 is a back perspective view of the air conditioner of FIG. 1;

FIG. 3 is a front elevation view thereof;

FIG. 4 is a side elevation view thereof, the opposite side being a mirror image thereof;

FIG. 5 is a back elevation view thereof;

FIG. 6 is a top view thereof; and,

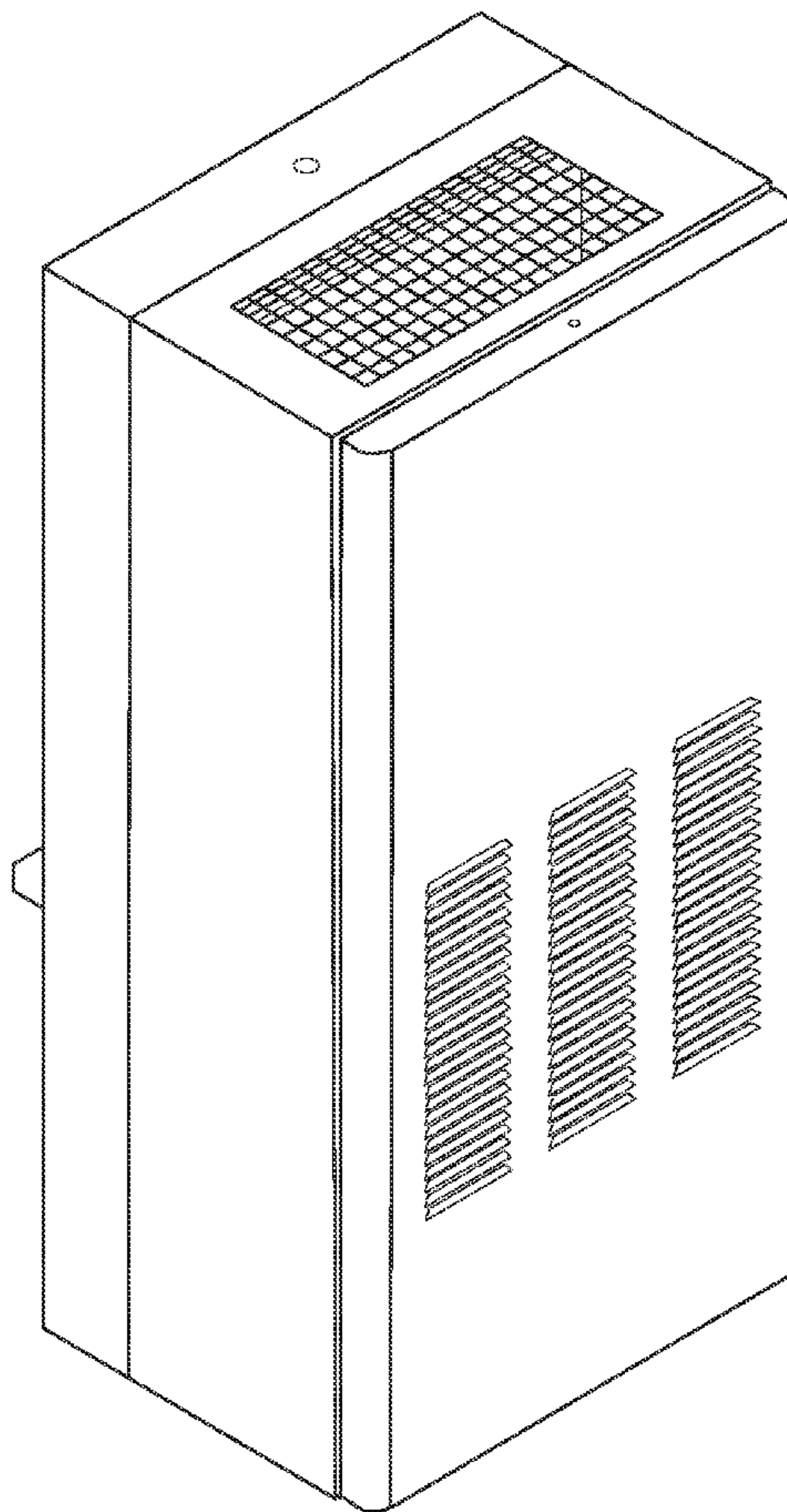
FIG. 7 is a bottom view thereof.

(56) **References Cited**

U.S. PATENT DOCUMENTS

D252,705 S *	8/1979	Fessler	D23/351
D278,847 S *	5/1985	Hoyle et al.	D23/351
D374,920 S *	10/1996	Muller et al.	D23/351
D399,938 S *	10/1998	Miller et al.	D23/351
D454,187 S *	3/2002	Wang et al.	D23/351
D508,118 S *	8/2005	Motonishi et al.	D23/351

1 Claim, 7 Drawing Sheets



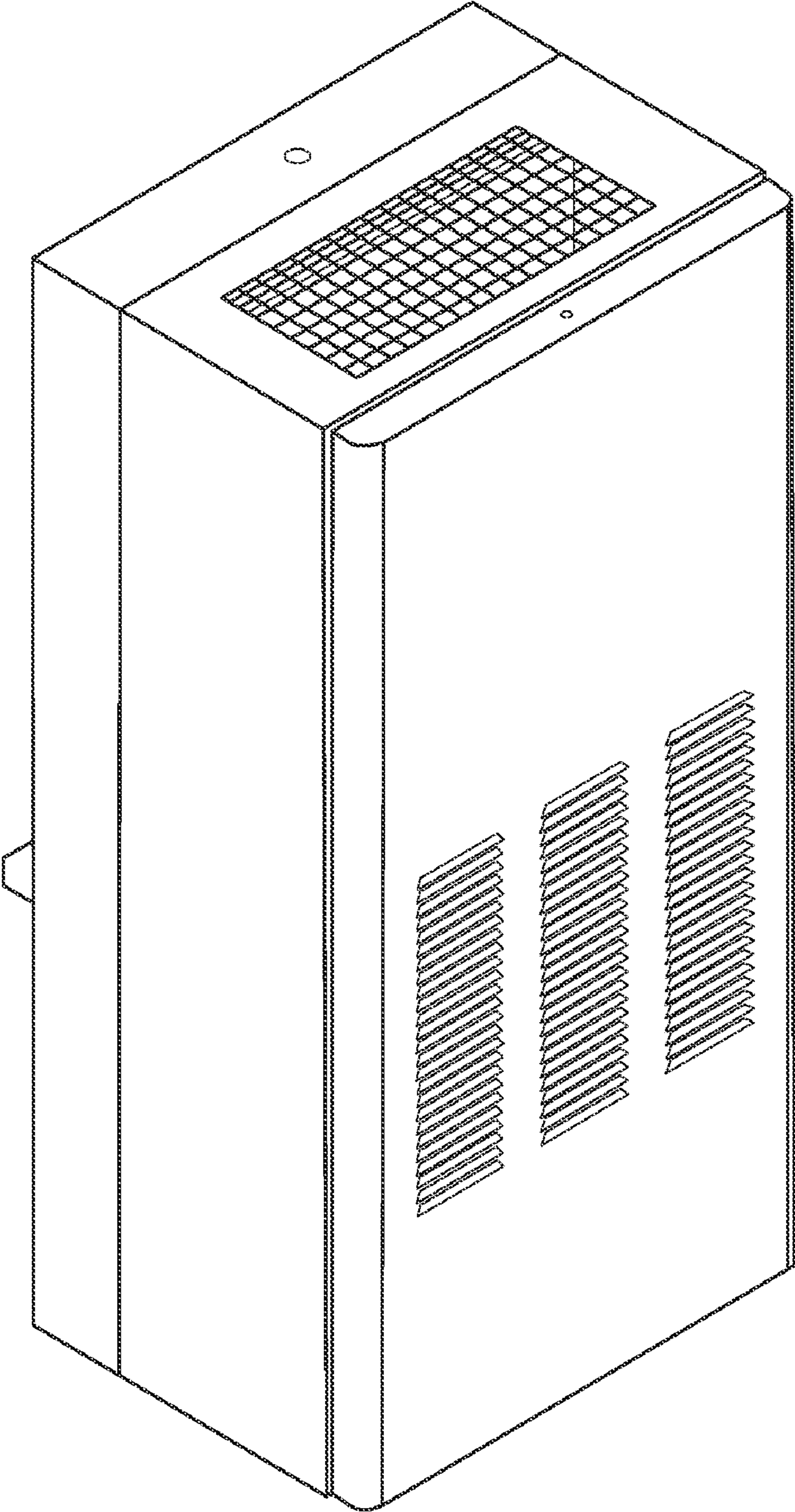


FIG. 1

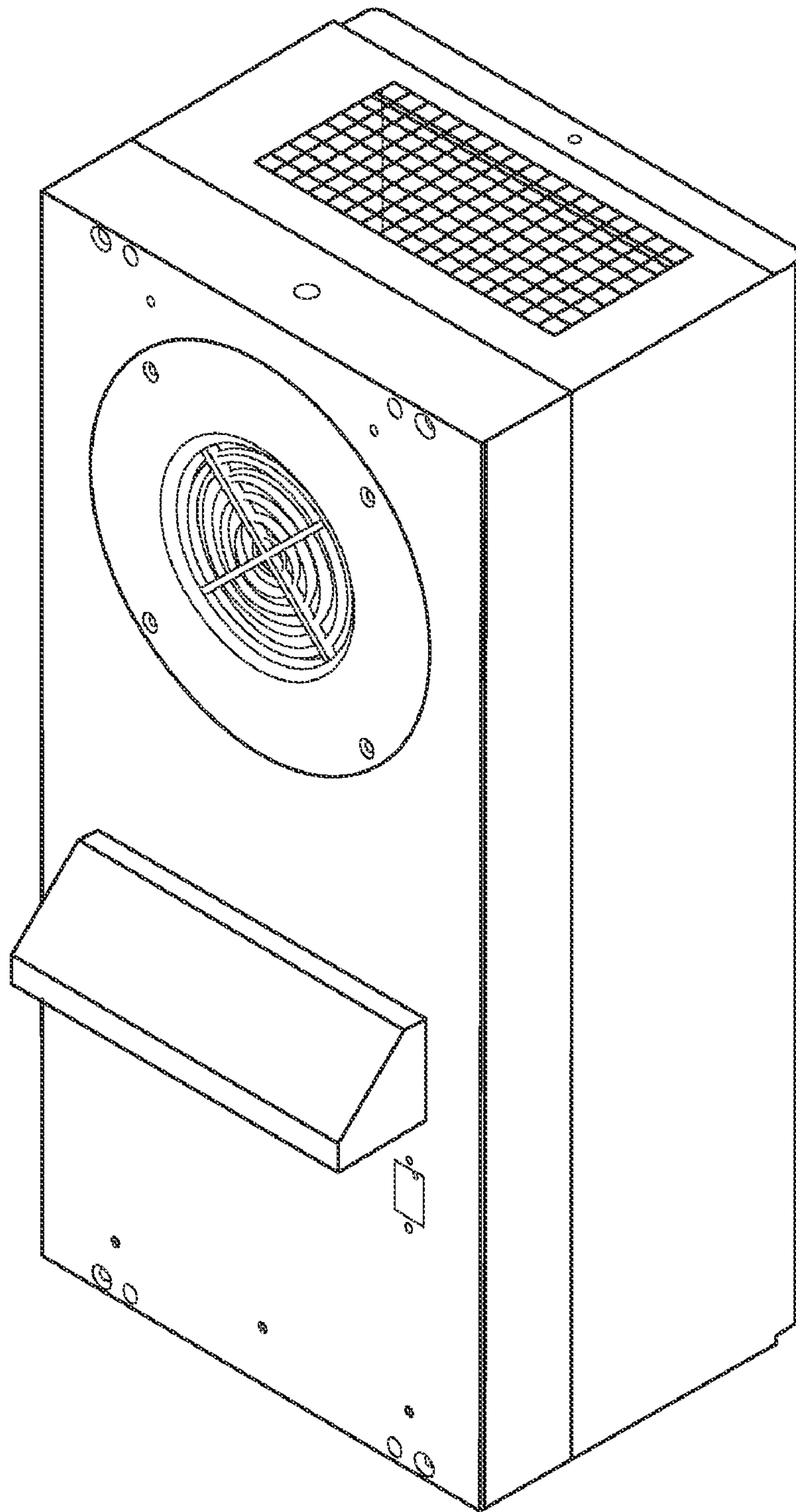


FIG. 2

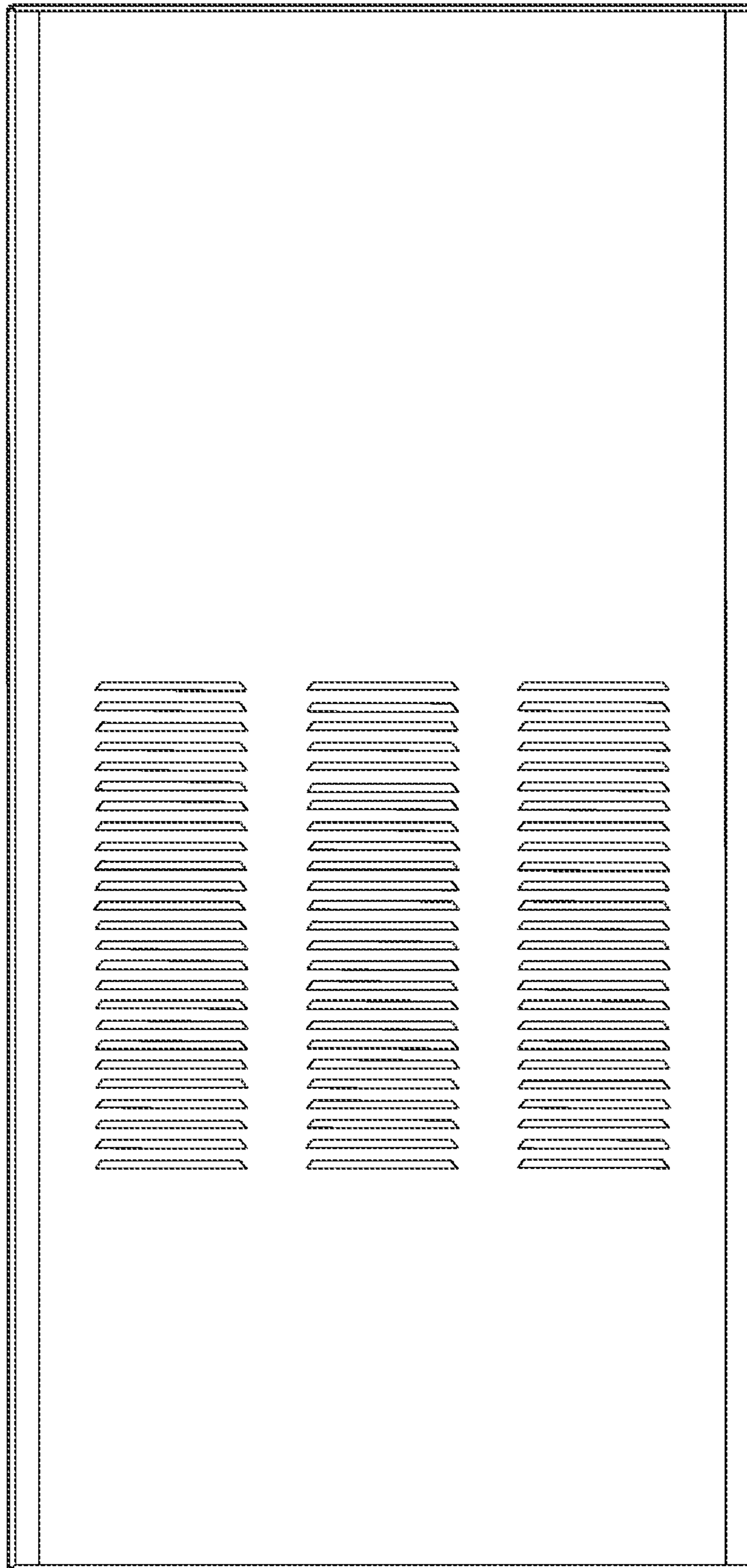


FIG. 3

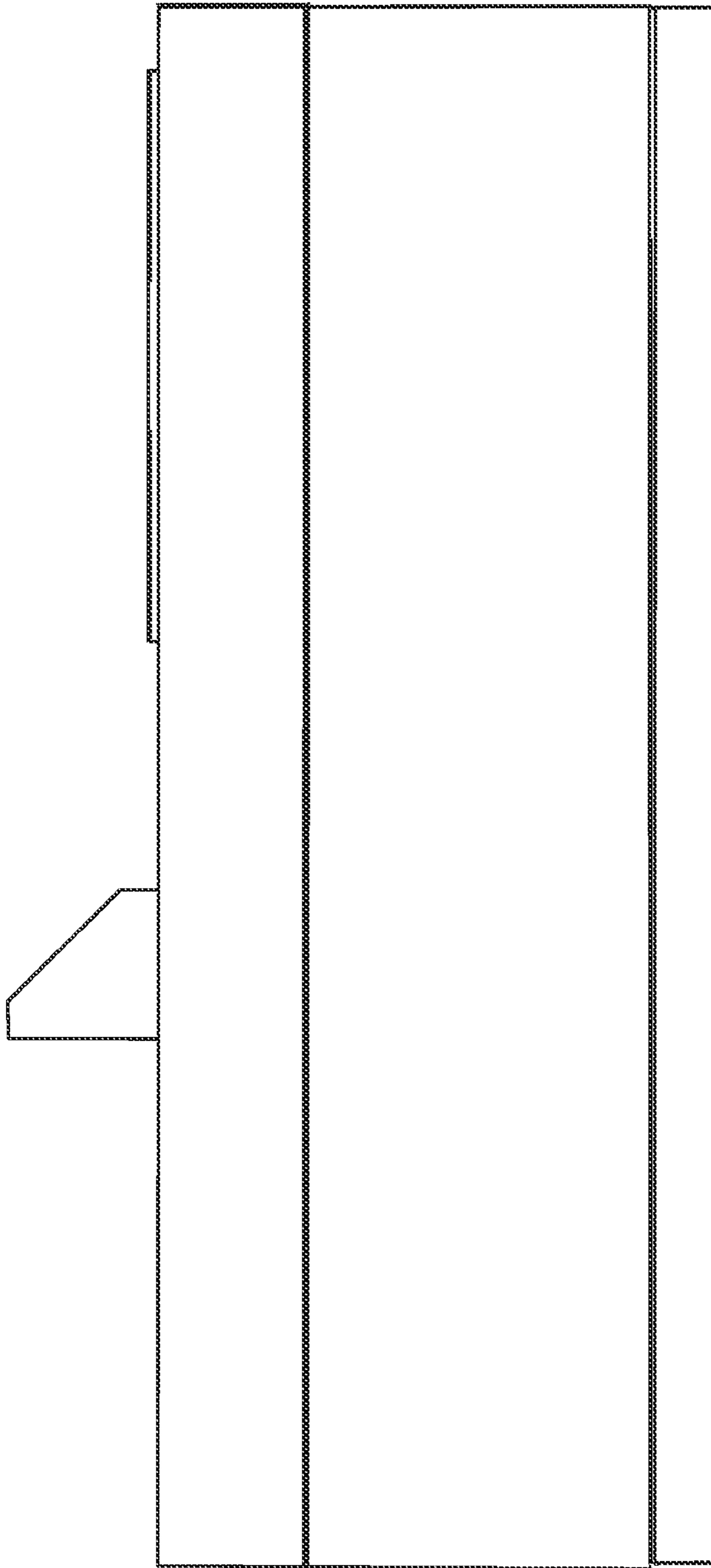


FIG. 4

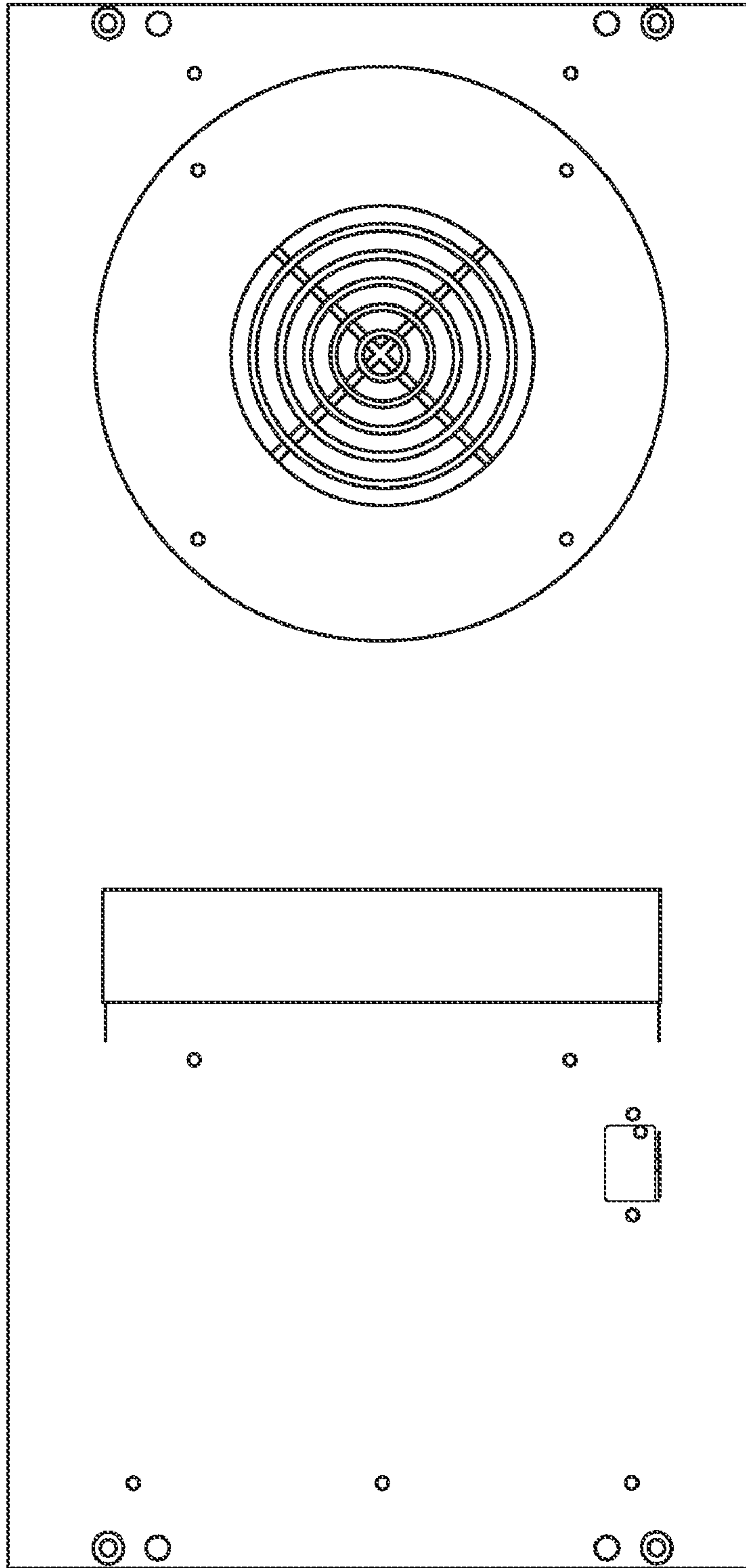


FIG. 5

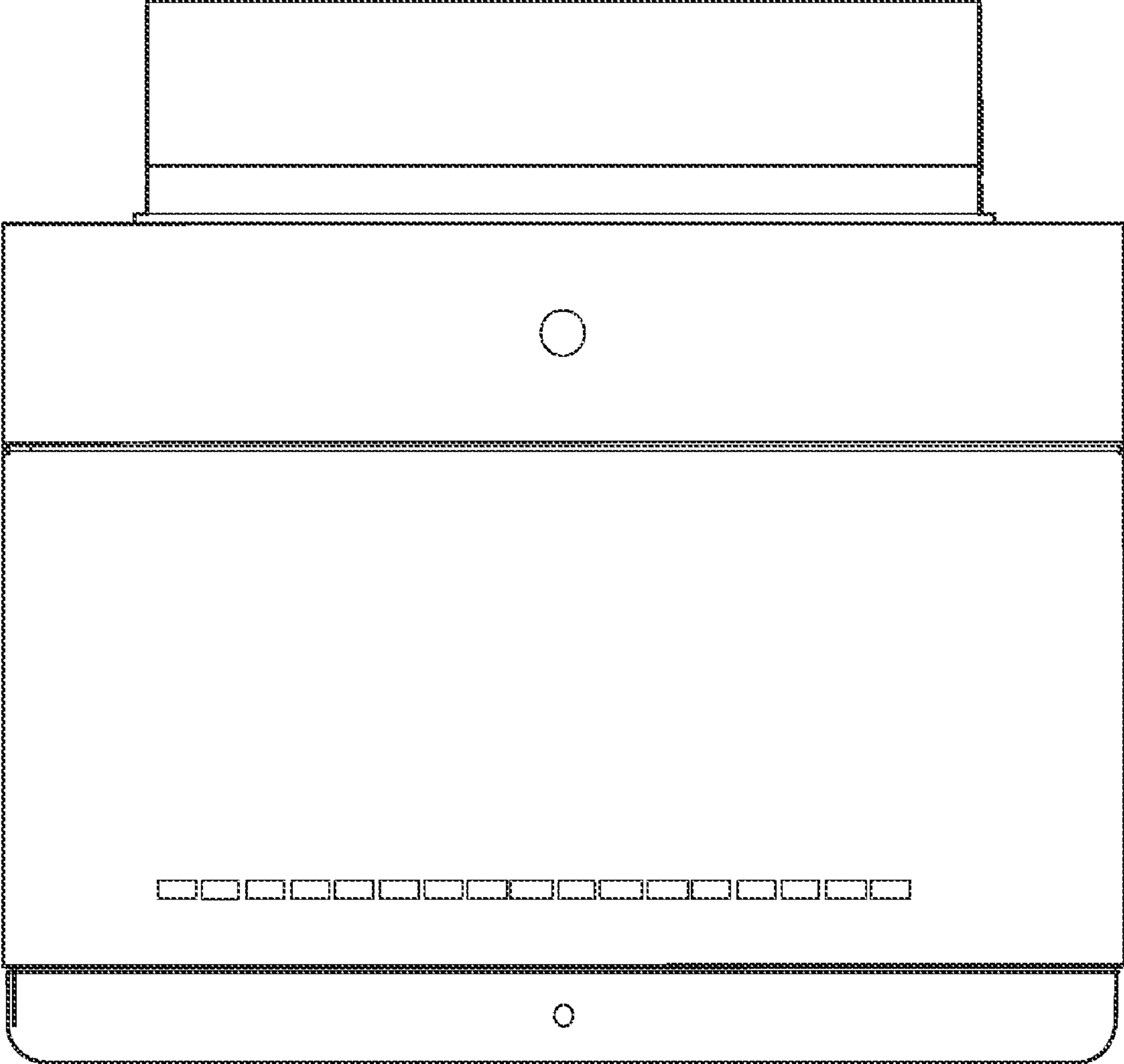


FIG. 6

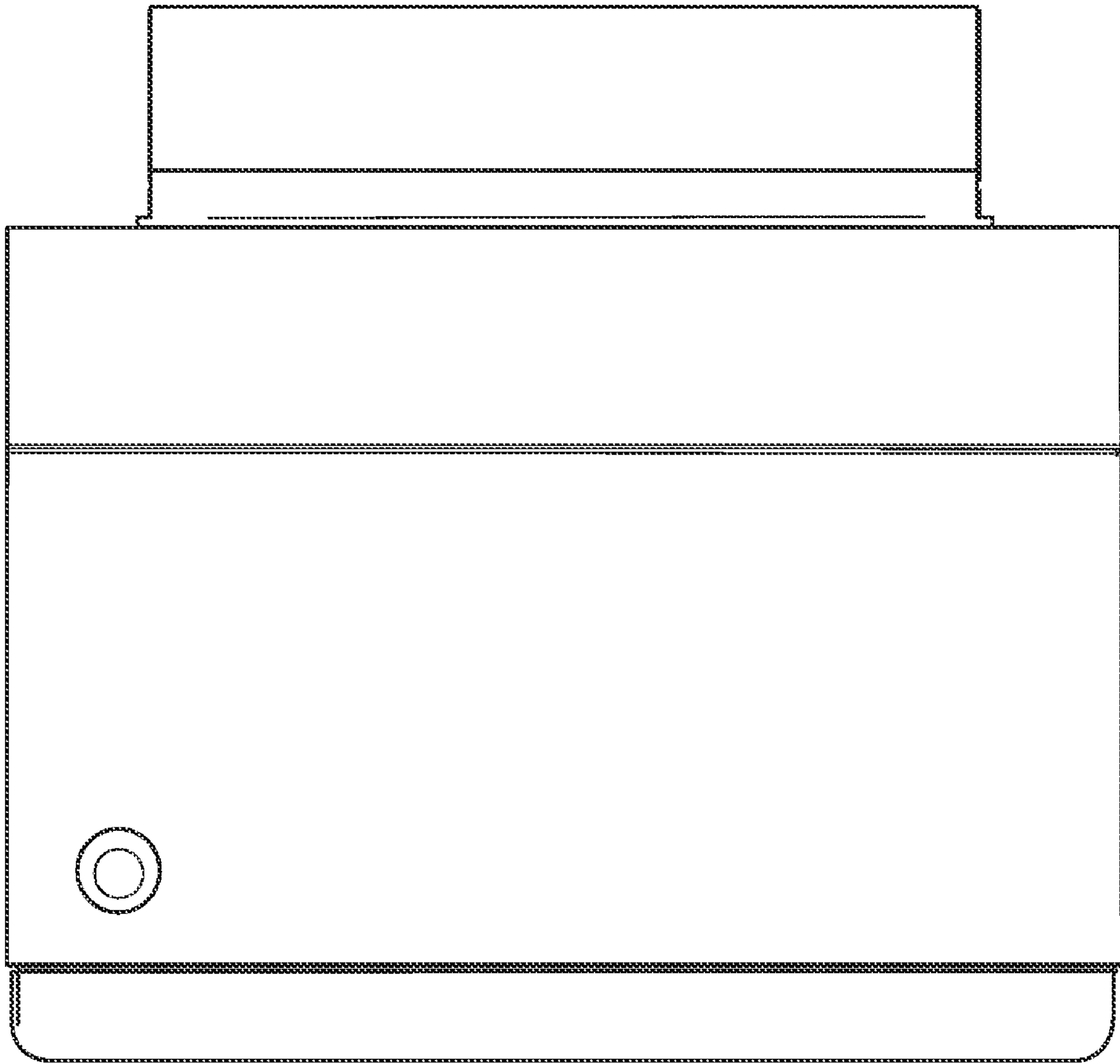


FIG. 7