



US00D547848S

(12) **United States Design Patent**
Grady et al.

(10) **Patent No.:** **US D547,848 S**

(45) **Date of Patent:** **** Jul. 31, 2007**

(54) **PORTABLE FIRE PIT**

(75) Inventors: **Jeffrey T. Grady**, Naperville, IL (US);
David Henke, Hawthorn Woods, IL (US)

(73) Assignee: **Fleming Sales Company**, West Chicago, IL (US)

(**) Term: **14 Years**

(21) Appl. No.: **29/253,109**

(22) Filed: **Feb. 1, 2006**

(51) **LOC (8) Cl.** **07-02**

(52) **U.S. Cl.** **D23/343; D7/332**

(58) **Field of Classification Search** D7/332-337,
D7/402-405; D23/335-336, 343; 126/500,
126/506, 519, 40, 50, 9 R, 9 B, 25 R, 25 A,
126/304 R, 305, 268, 276, 41 R, 37 R; 99/445,
99/448, 481-482; 248/128-129; 312/249.8,
312/249.13, 351.2; D6/511, 574
See application file for complete search history.

(56) **References Cited**

U.S. PATENT DOCUMENTS

D252,248 S	7/1979	Huff	
D260,225 S	8/1981	Larson	
D260,348 S	8/1981	Larson	
D275,439 S	9/1984	Hutchinson et al.	
D279,535 S	7/1985	Taylor et al.	
5,598,834 A	2/1997	Grady	
5,836,298 A	11/1998	Grady	
5,960,788 A	10/1999	Bach et al.	
D420,115 S	2/2000	Bach et al.	
D438,750 S	3/2001	Mashburn et al.	
6,220,240 B1	4/2001	Grady et al.	
6,286,503 B1	9/2001	Bach et al.	
D451,989 S *	12/2001	Ashton et al.	D23/343
D455,598 S *	4/2002	Pai	D7/337

D456,501 S *	4/2002	Chen	D23/343
D457,229 S *	5/2002	Chen	D23/343
D461,360 S *	8/2002	Bossler	D7/337
6,439,225 B2	8/2002	Bach et al.	
D474,063 S	5/2003	Eisinger et al.	
D480,596 S	10/2003	Dellinger et al.	
D483,983 S	12/2003	Harrod et al.	
D488,025 S	4/2004	Tseng	
6,755,187 B2	6/2004	Harrod et al.	
D498,113 S *	11/2004	Zhang	D7/332
D511,433 S *	11/2005	Zhang	D7/337
D511,934 S	11/2005	Grady et al.	
2001/0032642 A1	10/2001	Bach et al.	
2003/0041855 A1	3/2003	Grady et al.	

* cited by examiner

Primary Examiner—Ruth McInroy

(74) *Attorney, Agent, or Firm*—Cook, Alex, McFarron, Manzo, Cummings & Mehler, Ltd.

(57) **CLAIM**

We claim the ornamental design for a portable fire pit, as shown and described.

DESCRIPTION

FIG. 1 is perspective view of a portable fire pit showing our new design;

FIG. 2 is a side elevational view thereof;

FIG. 3 is a front elevational view thereof;

FIG. 4 is a rear elevational view thereof;

FIG. 5 is a top plan view thereof; and,

FIG. 6 is a bottom plan view thereof.

The details shown in broken lines in the drawings are for illustrative purposes only and form no part of the claimed design.

1 Claim, 3 Drawing Sheets

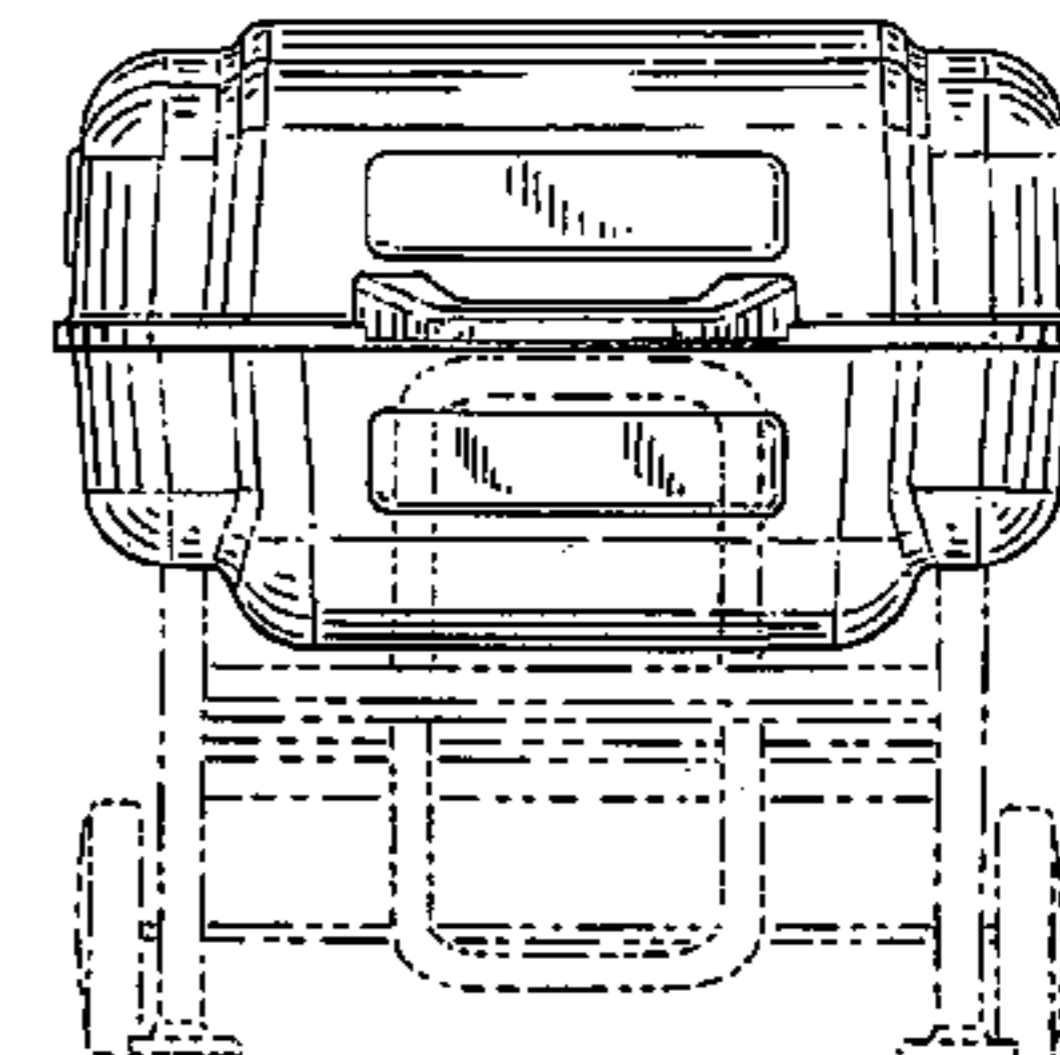
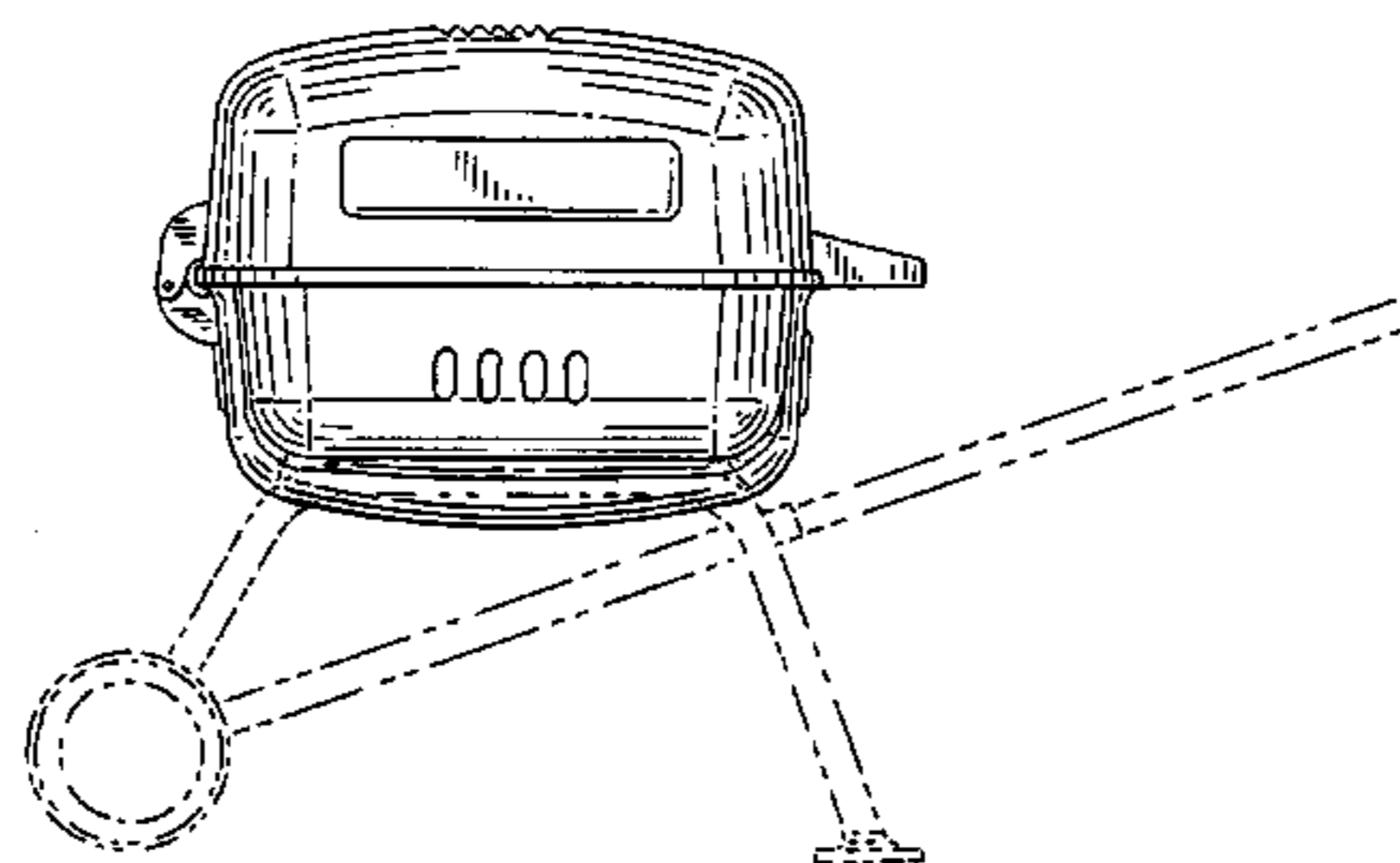
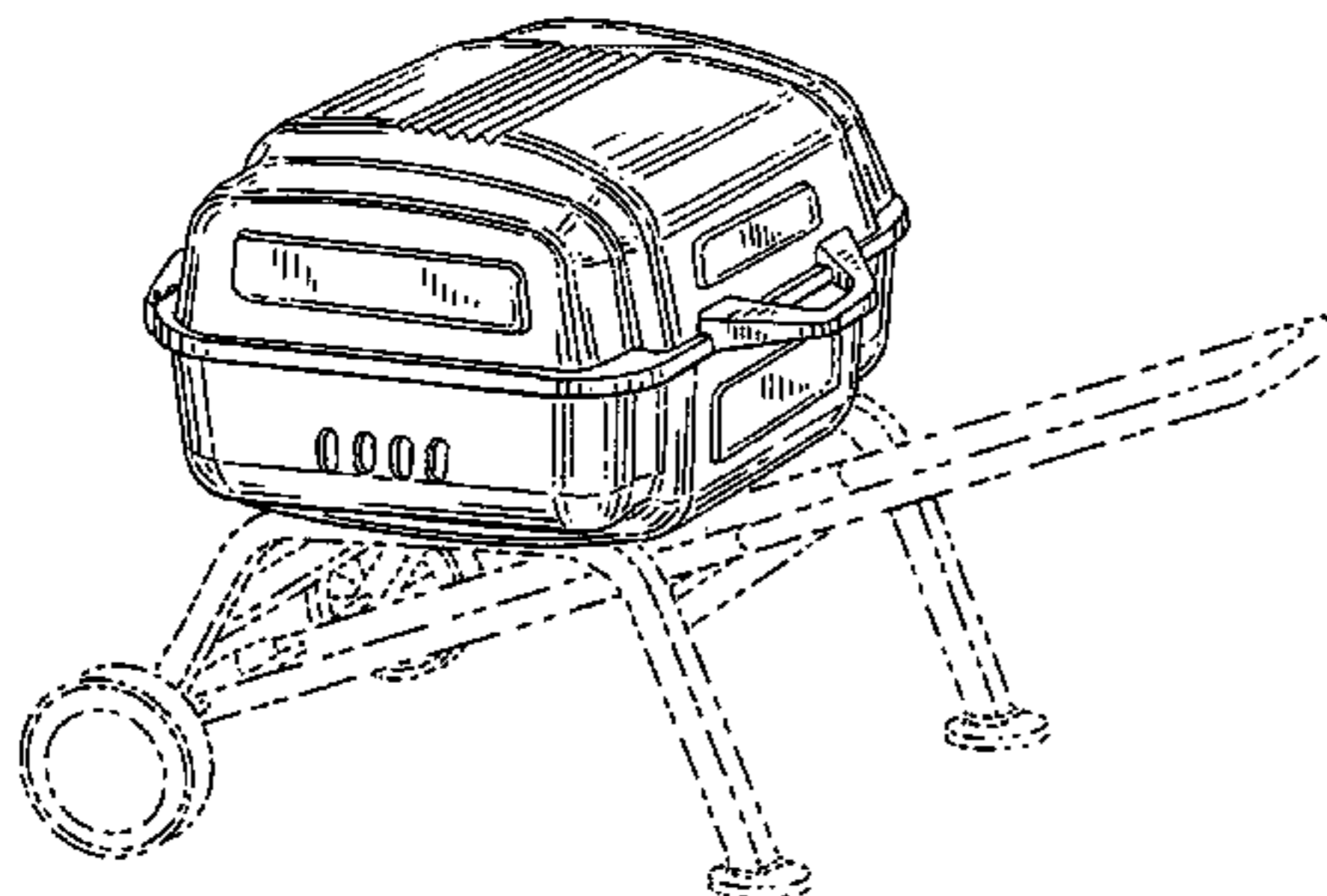


FIG.1

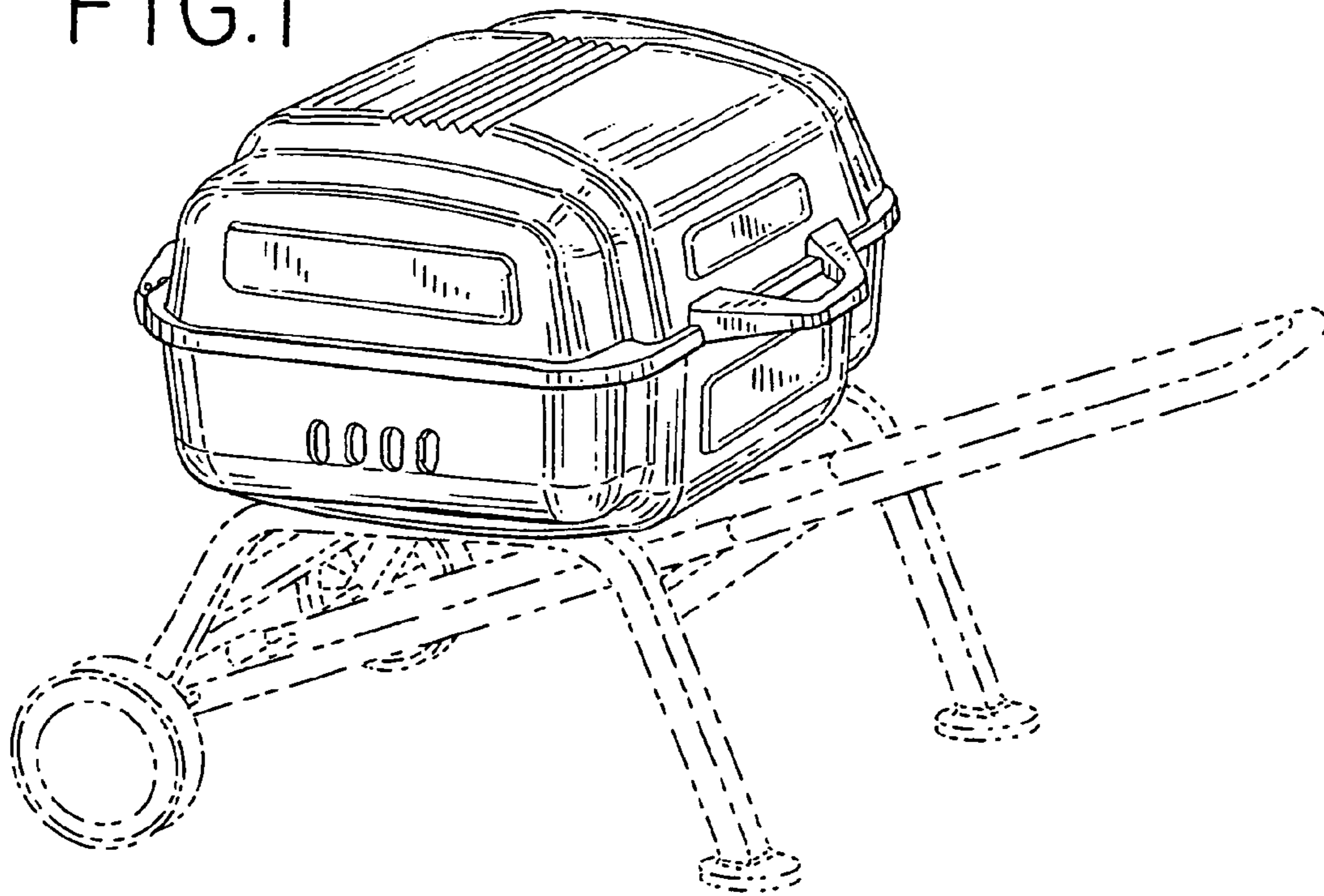


FIG. 2

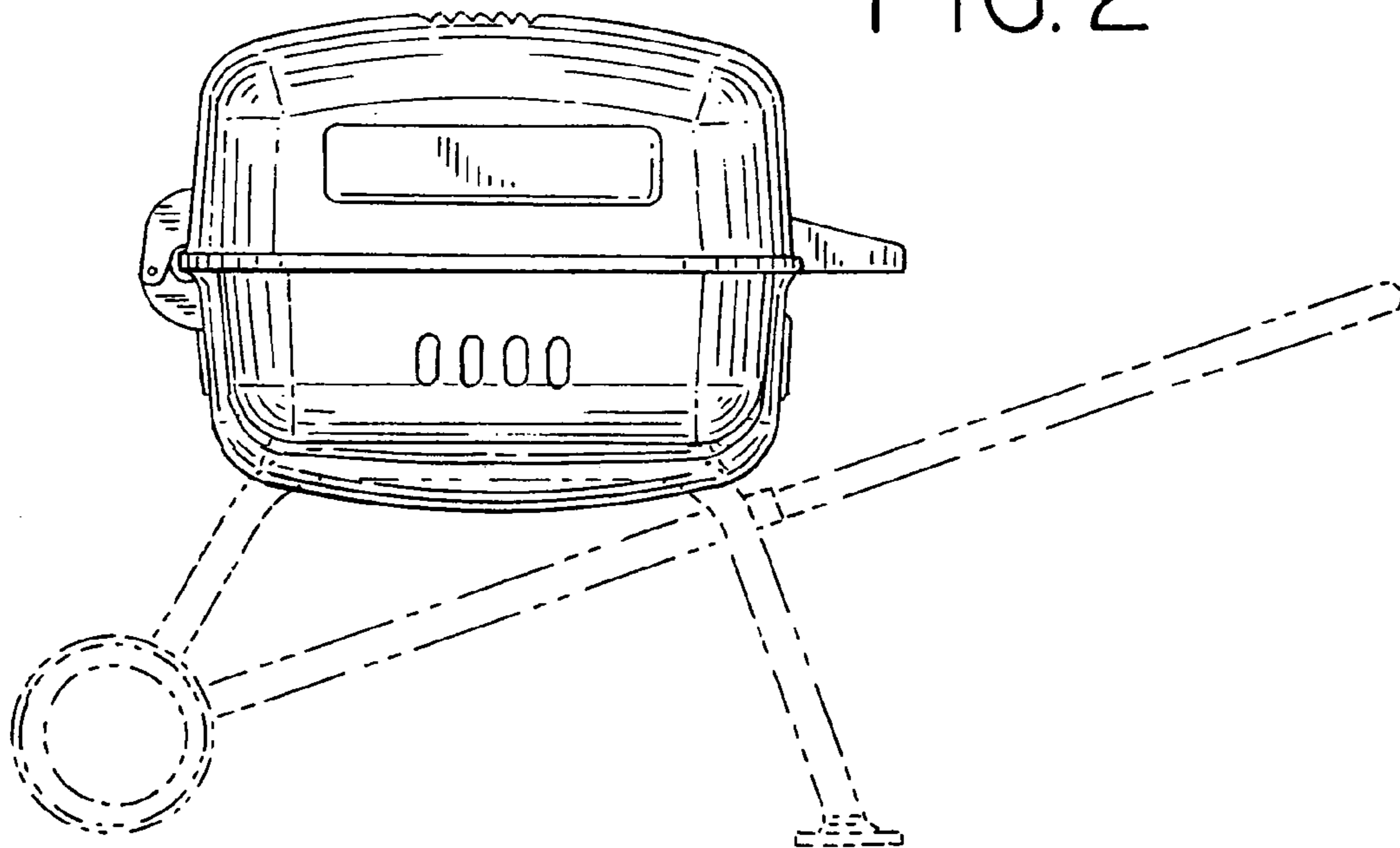


FIG. 3

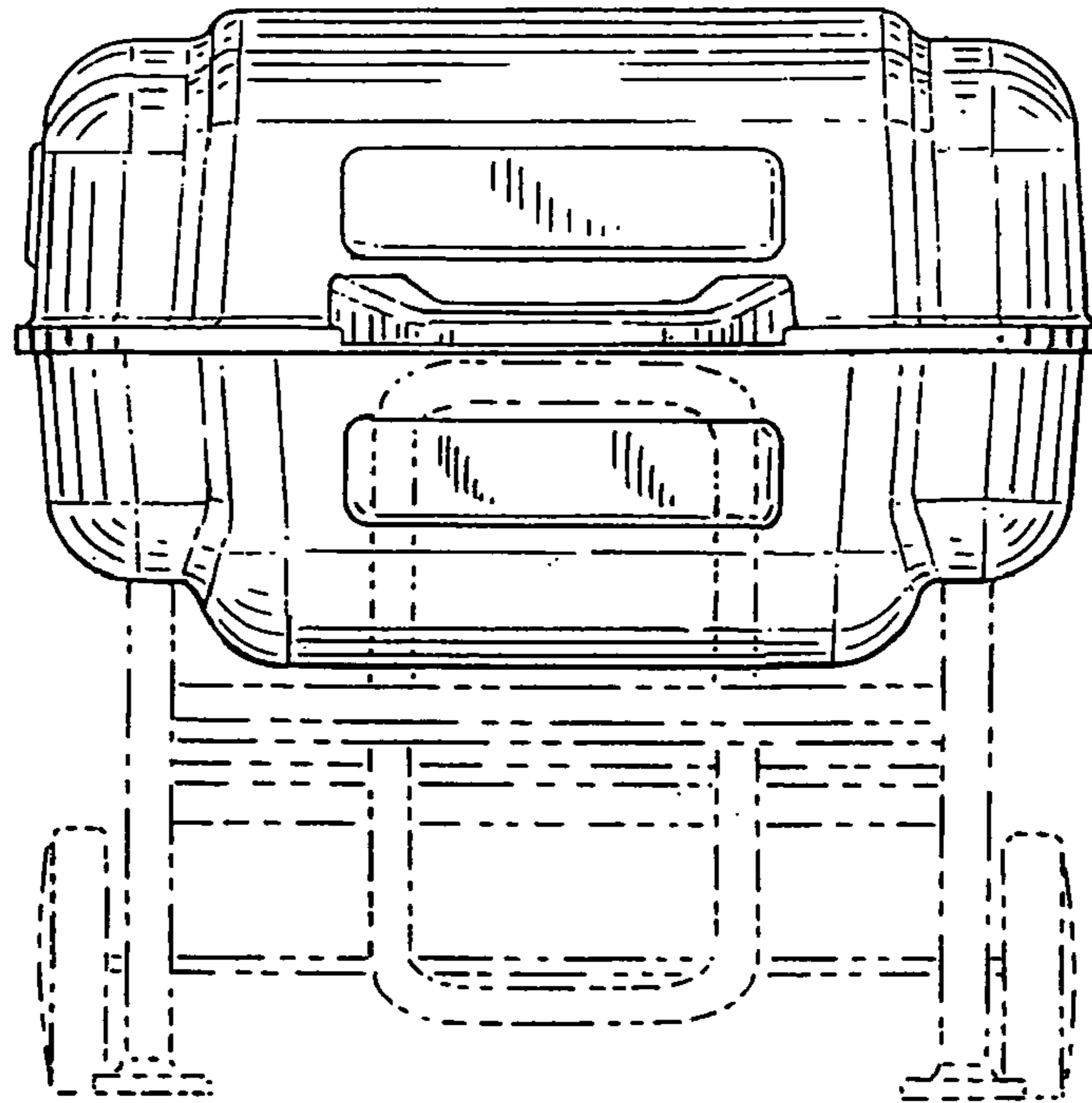


FIG. 4

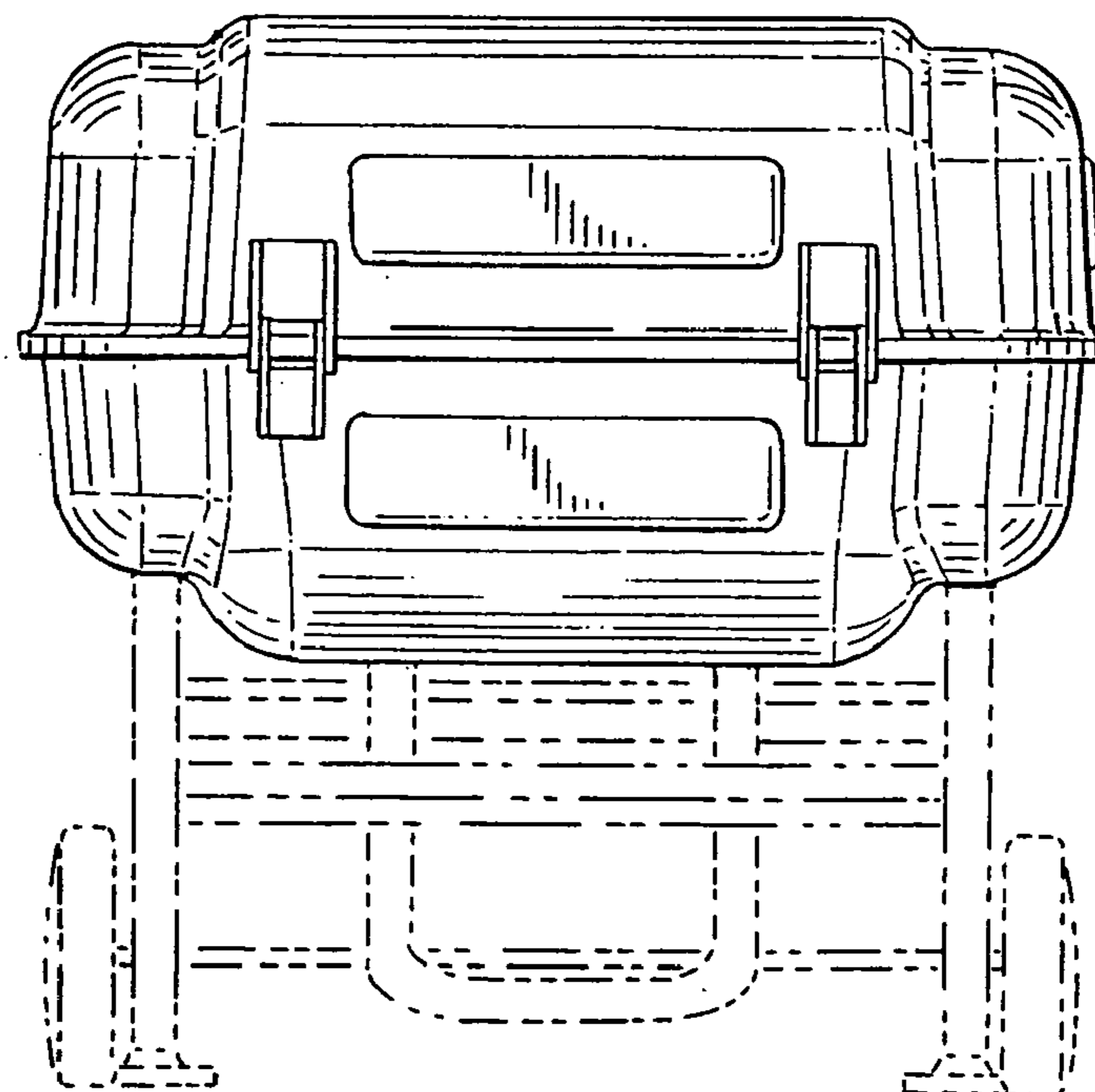


FIG. 5

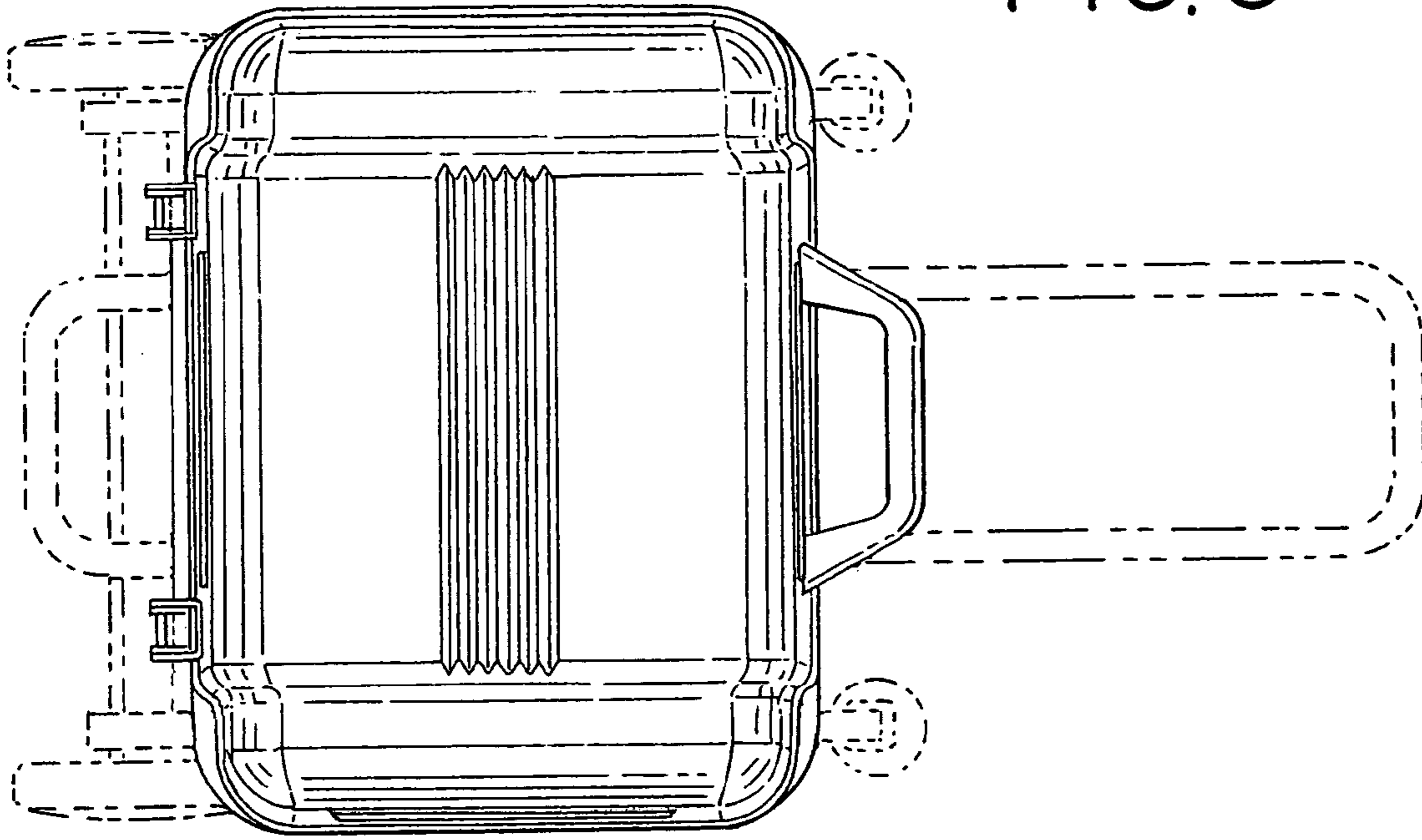


FIG. 6

