

US00D547847S

(12) **United States Design Patent**
Smal

(10) **Patent No.:** **US D547,847 S**

(45) **Date of Patent:** **** Jul. 31, 2007**

(54) **HEATING DEVICE**

D386,561 S * 11/1997 Campbell D23/330
D480,460 S * 10/2003 Priestman D23/330

(75) Inventor: **Johan Gerhard Smal**, Stellenbosch
(ZA)

* cited by examiner

(73) Assignee: **Vehicle GEYSER (Pty) Ltd.**, Western
Cape Province (ZA)

Primary Examiner—Brian N Vinson
(74) *Attorney, Agent, or Firm*—Nixon & Vanderhye PC

(**) Term: **14 Years**

(57) **CLAIM**

(21) Appl. No.: **29/223,457**

The ornamental design for a “heating device,” as shown and described.

(22) Filed: **Feb. 15, 2005**

(30) **Foreign Application Priority Data**

DESCRIPTION

Oct. 19, 2004 (ZA) F2004/1426

(51) **LOC (8) Cl.** **23-03**

(52) **U.S. Cl.** **D23/330**

(58) **Field of Classification Search** D23/314,
D23/318, 324, 330; 165/76-77, 152, 292
See application file for complete search history.

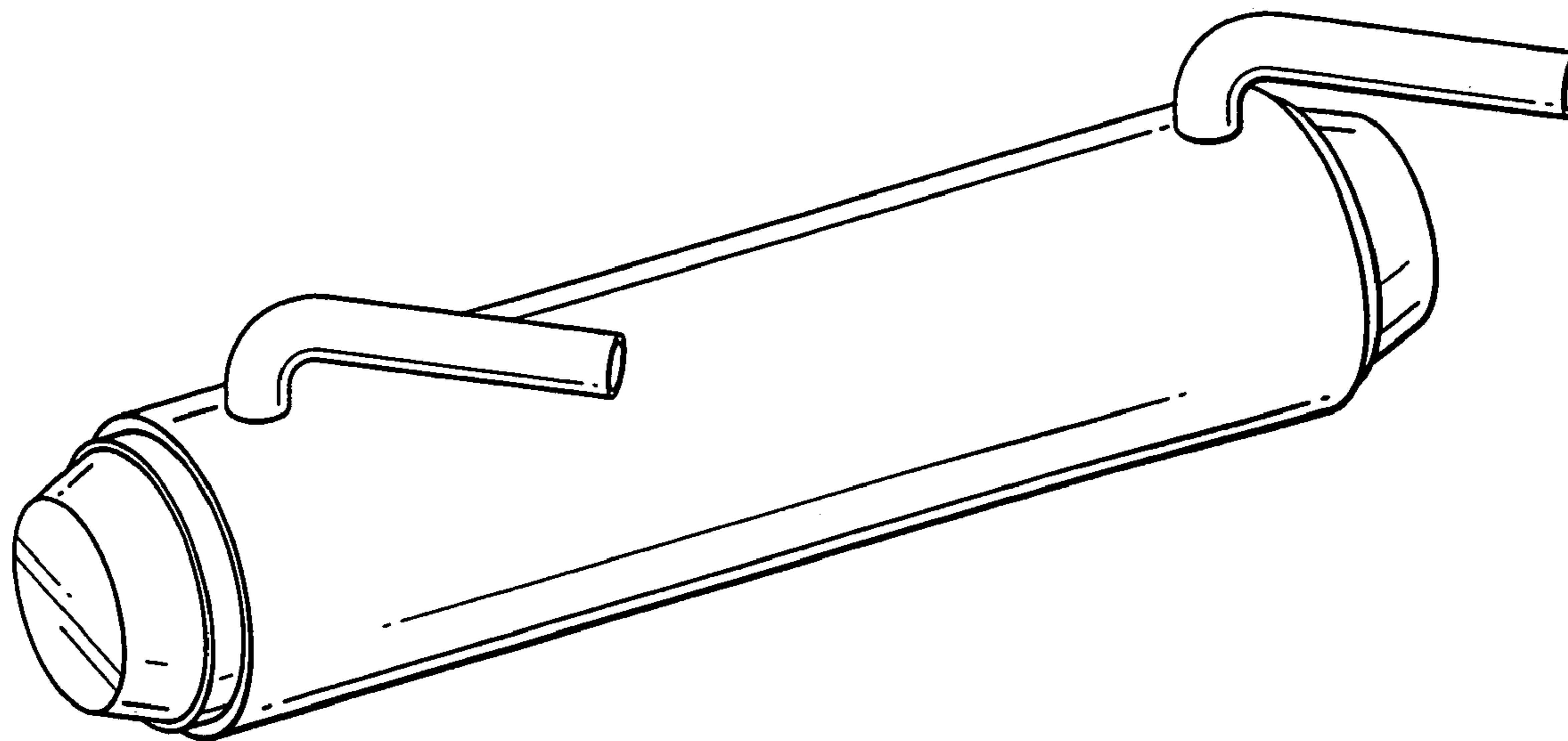
FIG. 1 is a perspective view of the design;
FIG. 2 is a plan view of the top of the design;
FIG. 3 is a plan view of the bottom of the design;
FIG. 4 is an elevational view of one side of the design;
FIG. 5 is an elevational view of the other side of the design;
FIG. 6 is an elevational view of the front of the design; and,
FIG. 7 is an elevational view of the rear of the design.

(56) **References Cited**

U.S. PATENT DOCUMENTS

D335,337 S * 5/1993 Shellenberger D23/330

1 Claim, 2 Drawing Sheets



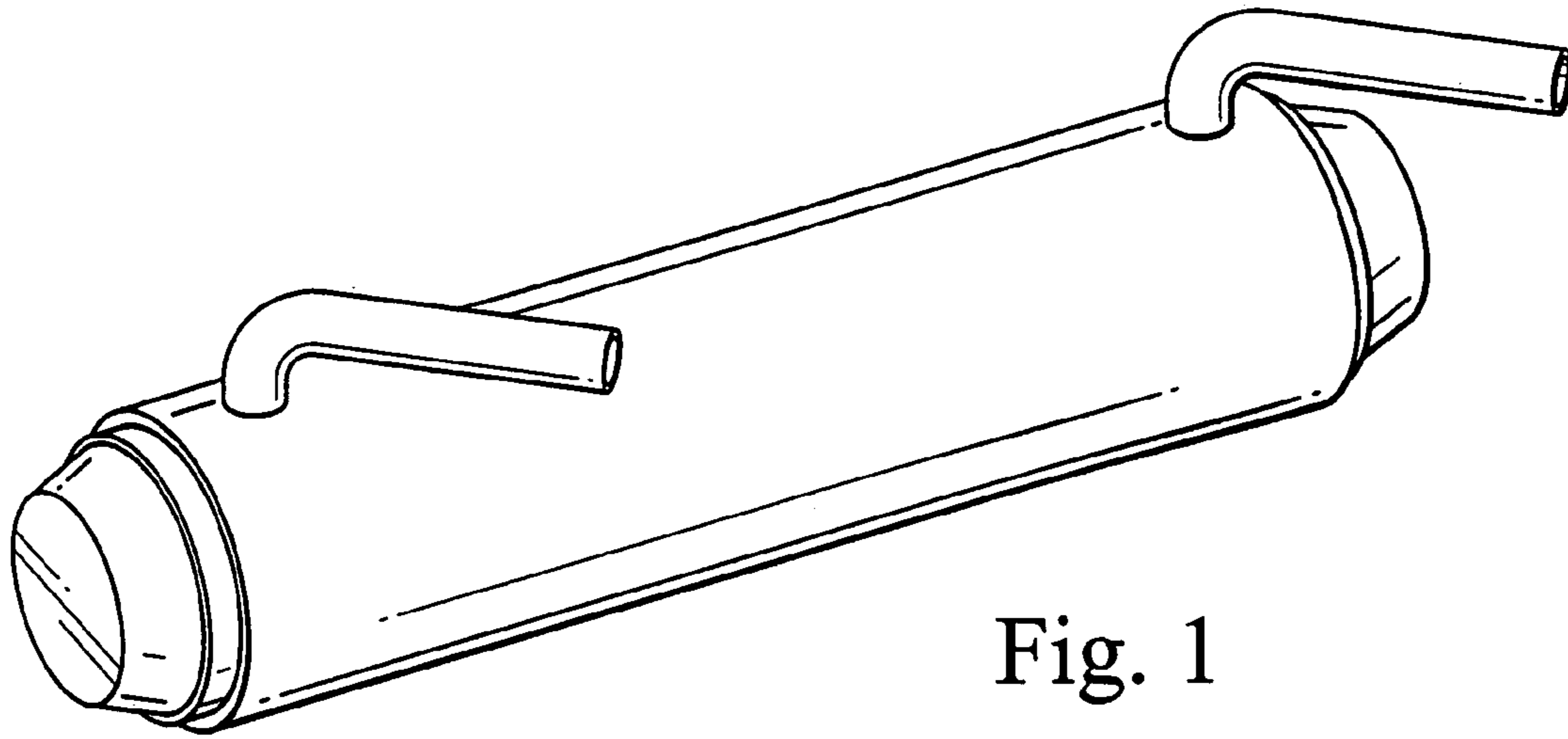


Fig. 1

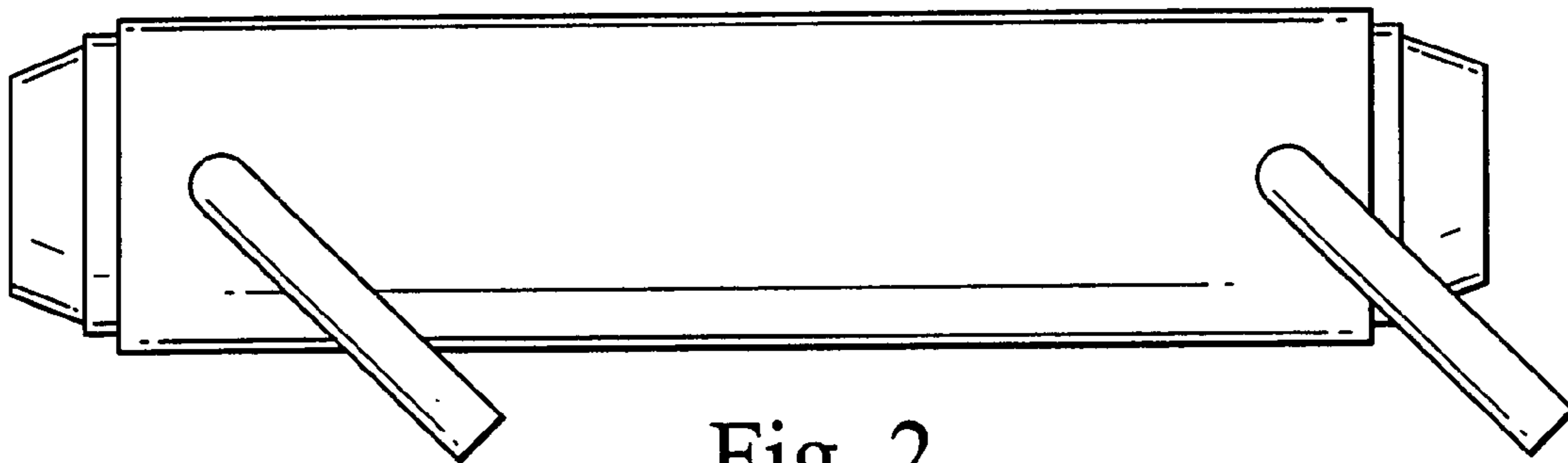


Fig. 2

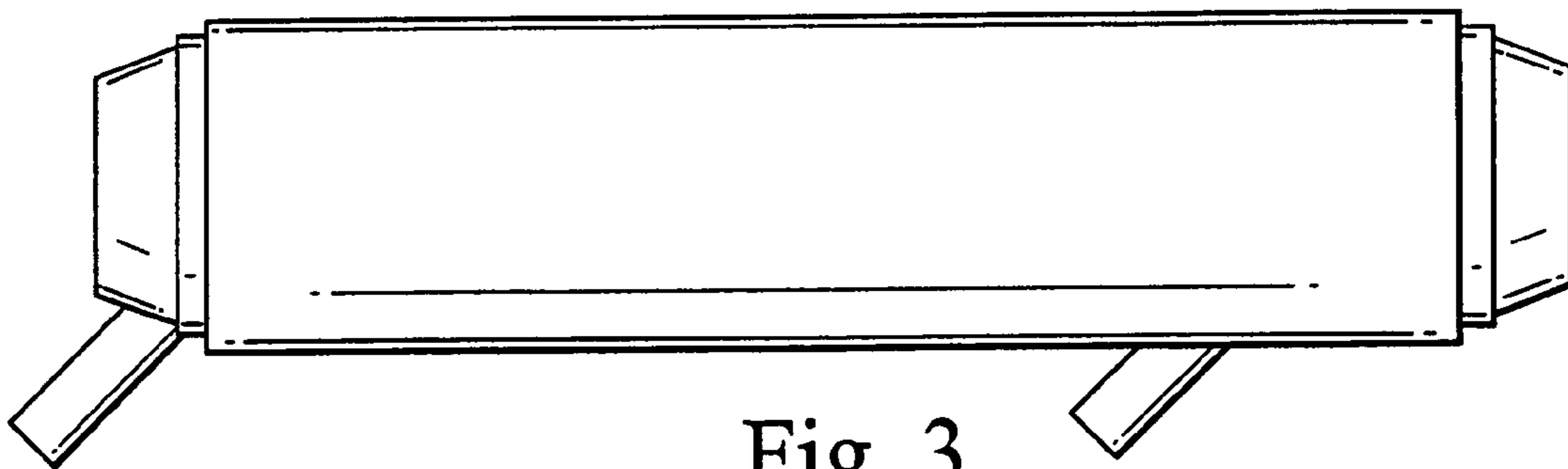


Fig. 3

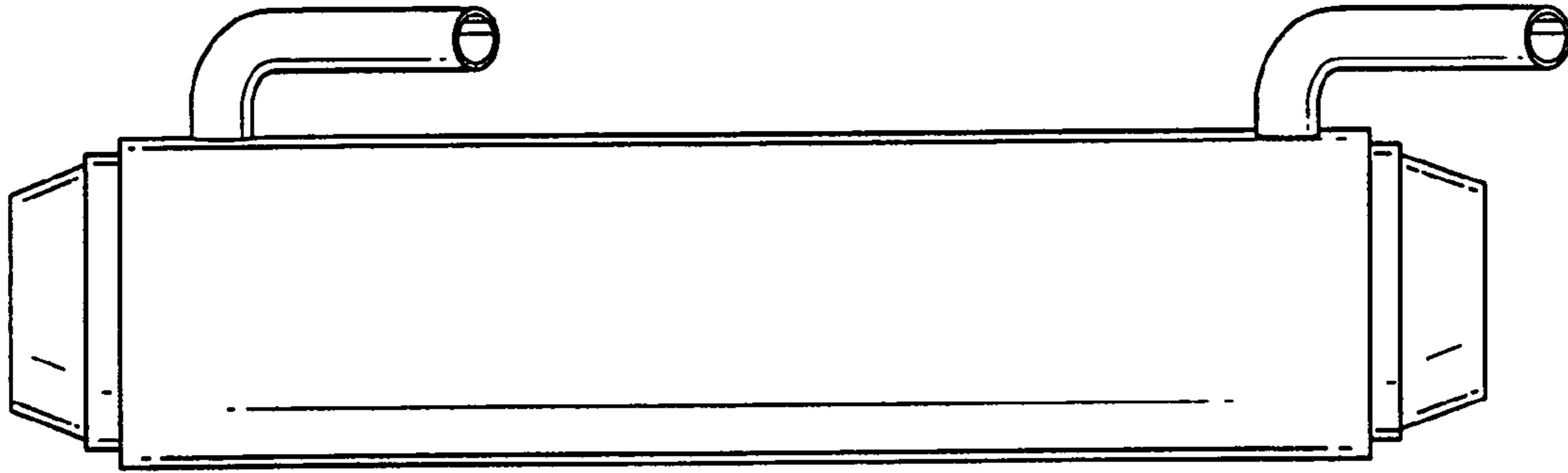


Fig. 4

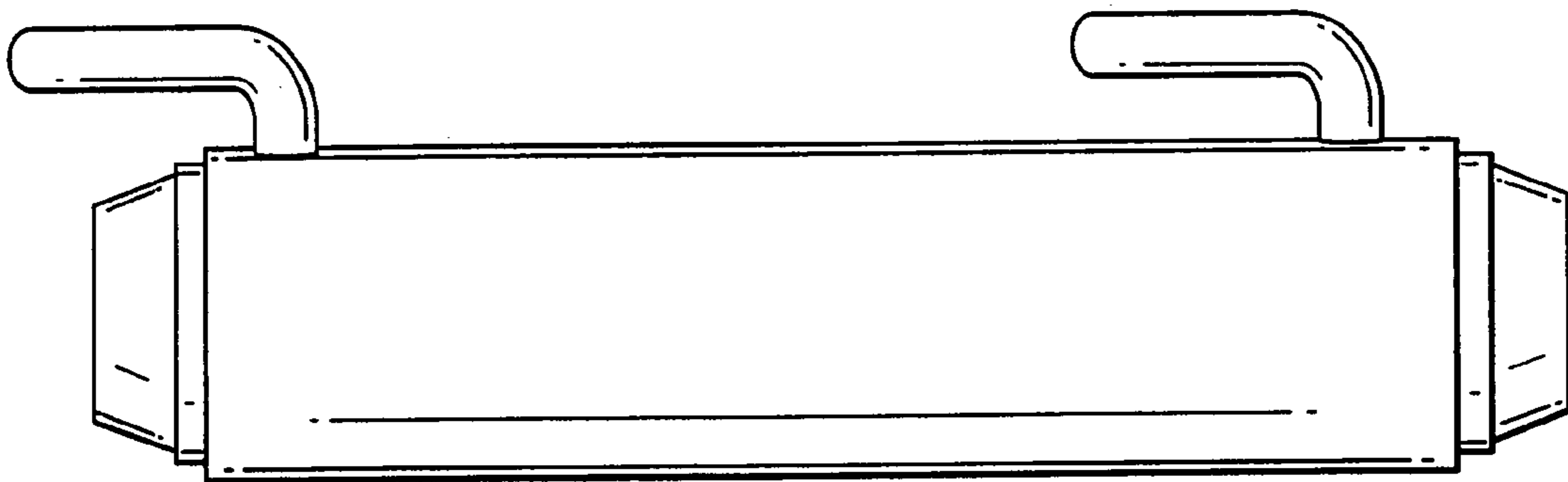


Fig. 5

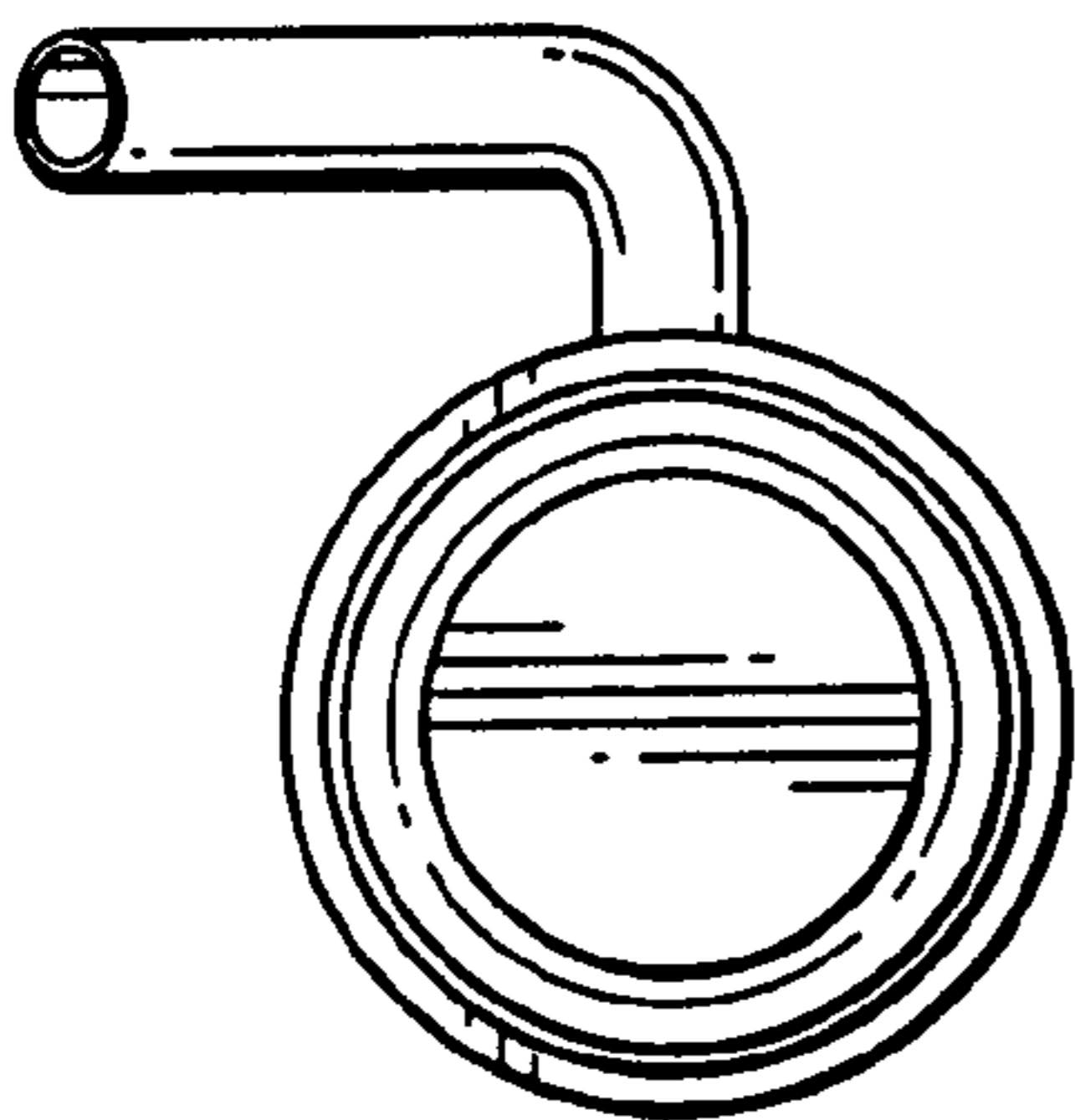


Fig. 6

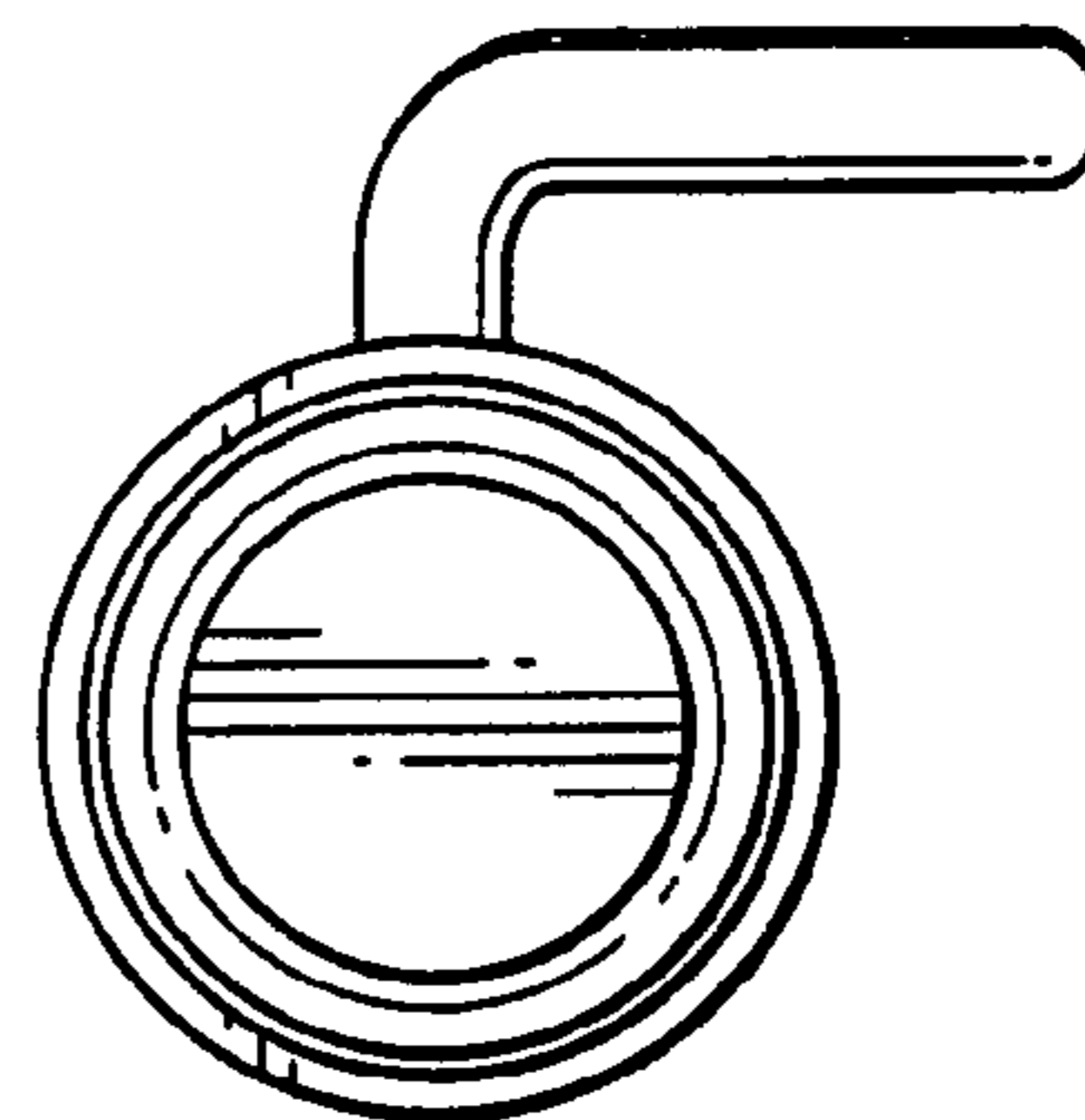


Fig. 7