

US00D547846S

(12) **United States Design Patent** (10) **Patent No.:** **US D547,846 S**
Pitchford et al. (45) **Date of Patent:** **** Jul. 31, 2007**

(54) **PORTABLE HEATER**

(75) Inventors: **Eric Pitchford**, Bowling Green, KY (US); **Henry Haley**, Bowling Green, KY (US); **Craig Higginbotham**, Bowling Green, KY (US); **Griffin Bland**, Bowling Green, KY (US)

(73) Assignee: **Desa IP, LLC**, Miami, FL (US)

(**) Term: **14 Years**

(21) Appl. No.: **29/250,117**

(22) Filed: **Nov. 2, 2006**

(51) **LOC (8) Cl.** **23-03**

(52) **U.S. Cl.** **D23/317; D23/342; D23/332; D23/336**

(58) **Field of Classification Search** D23/314, D23/335, 332, 326, 336, 386, 339, 328, 317, D23/383, 327, 379, 324; 431/354, 173, 252; 432/222, 62; 126/110 C, 110 B; 392/488, 392/383, 374, 360, 364, 370, 366, 368, 369, 392/367; 165/122; 219/200-202, 520, 536, 219/532, 205; 237/28, 31, 35-37, 39, 12.3 B, 237/12.14; 415/95, 121.2, 247 R

See application file for complete search history.

(56) **References Cited**

U.S. PATENT DOCUMENTS

1,730,982 A	10/1929	Pankratz et al.	
2,323,456 A	7/1943	Curley et al.	
2,326,360 A	8/1943	Ingersoll	
2,336,716 A	12/1943	Clements	
2,431,724 A	12/1947	Aydt	
D180,667 S *	7/1957	Maucusi D23/335
2,950,859 A	8/1960	Kirk	
3,261,597 A	7/1966	McGough	
D213,694 S *	4/1969	Baron D23/337
3,706,446 A	12/1972	Briggs	
3,725,640 A	4/1973	Kunz	
3,822,690 A	7/1974	Kofink	
3,894,526 A	7/1975	Kofink	
4,140,100 A	2/1979	Ishihara	

D256,273 S *	8/1980	Townsend et al. D23/336
4,307,701 A	12/1981	Balon et al.	
4,354,479 A	10/1982	Haruhara	
4,443,187 A	4/1984	Shaftner et al.	
D319,694 S *	9/1991	Wortham D23/336
D327,316 S *	6/1992	Yoshidomi et al. D23/383
D347,683 S *	6/1994	Chiu et al. D23/336
5,540,213 A	7/1996	Shell et al.	
5,766,003 A	6/1998	Vogelzang	
5,848,585 A	12/1998	Long et al.	
D447,795 S *	9/2001	Hudson D23/327
D480,467 S *	10/2003	White D23/383
6,724,983 B1 *	4/2004	Humburg et al. 392/307
6,843,642 B2	1/2005	Hung	
6,857,870 B2	2/2005	Topp	
6,942,464 B2	9/2005	Brashears et al.	
6,991,437 B2	1/2006	Cherry et al.	
2003/0161722 A1 *	8/2003	Galassi 415/121.2
2005/0089409 A1	4/2005	Boohar et al.	

* cited by examiner

Primary Examiner—Louis S. Zarfes
Assistant Examiner—Anna Dworzecka
(74) *Attorney, Agent, or Firm*—John F. Salazar; Middleton Reutlinger

(57) **CLAIM**

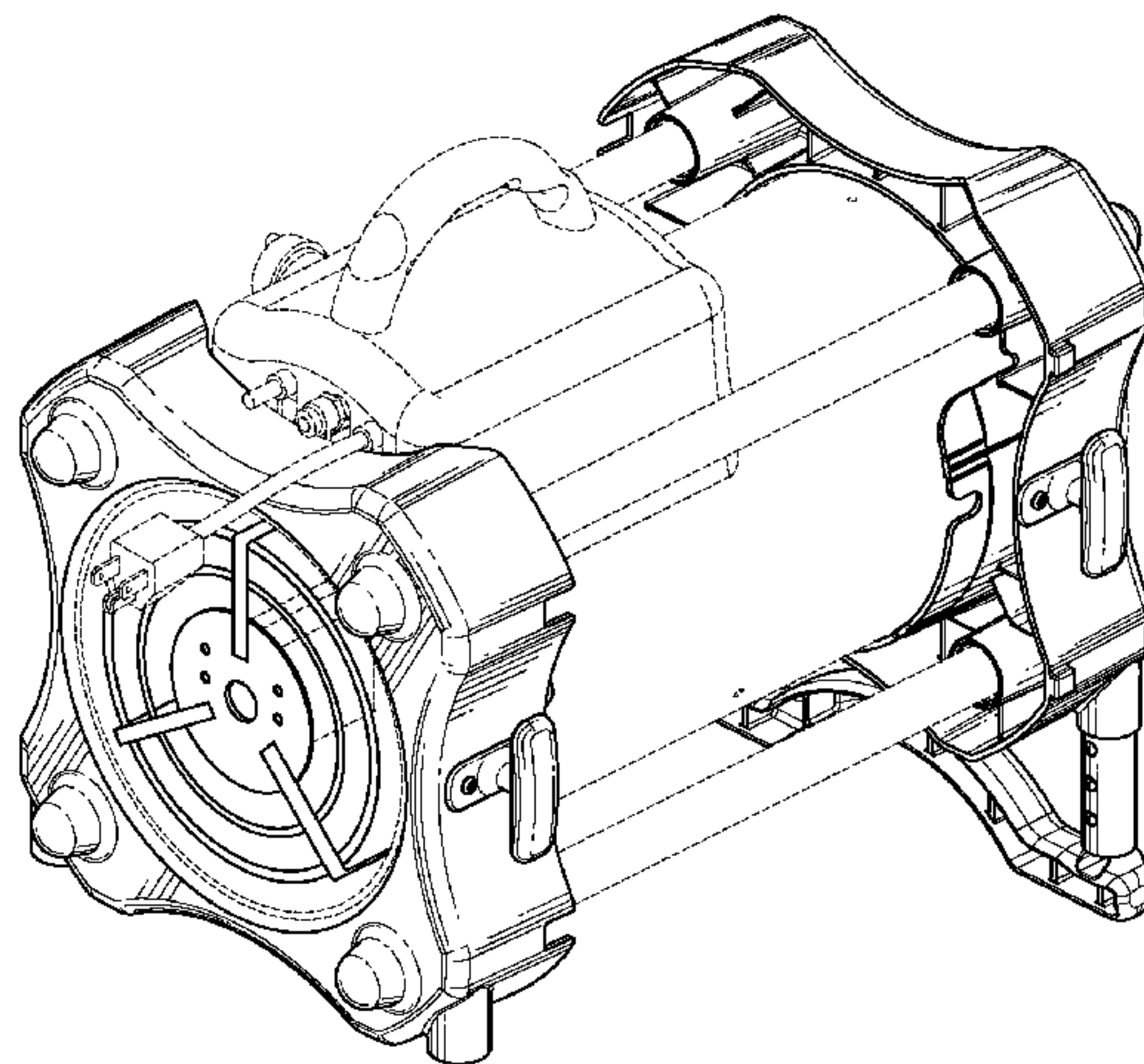
The ornamental design for a portable heater, as shown and described.

DESCRIPTION

FIG. 1 is a perspective view of the portable heater design; FIG. 2 is a left side view thereof; FIG. 3 is a top view thereof; FIG. 4 is a right side view thereof; FIG. 5 is a bottom view thereof; FIG. 6 is a rear view thereof; and, FIG. 7 is a front view thereof.

The broken lines shown are for illustrative purposes only and form no part of the claimed design.

1 Claim, 7 Drawing Sheets



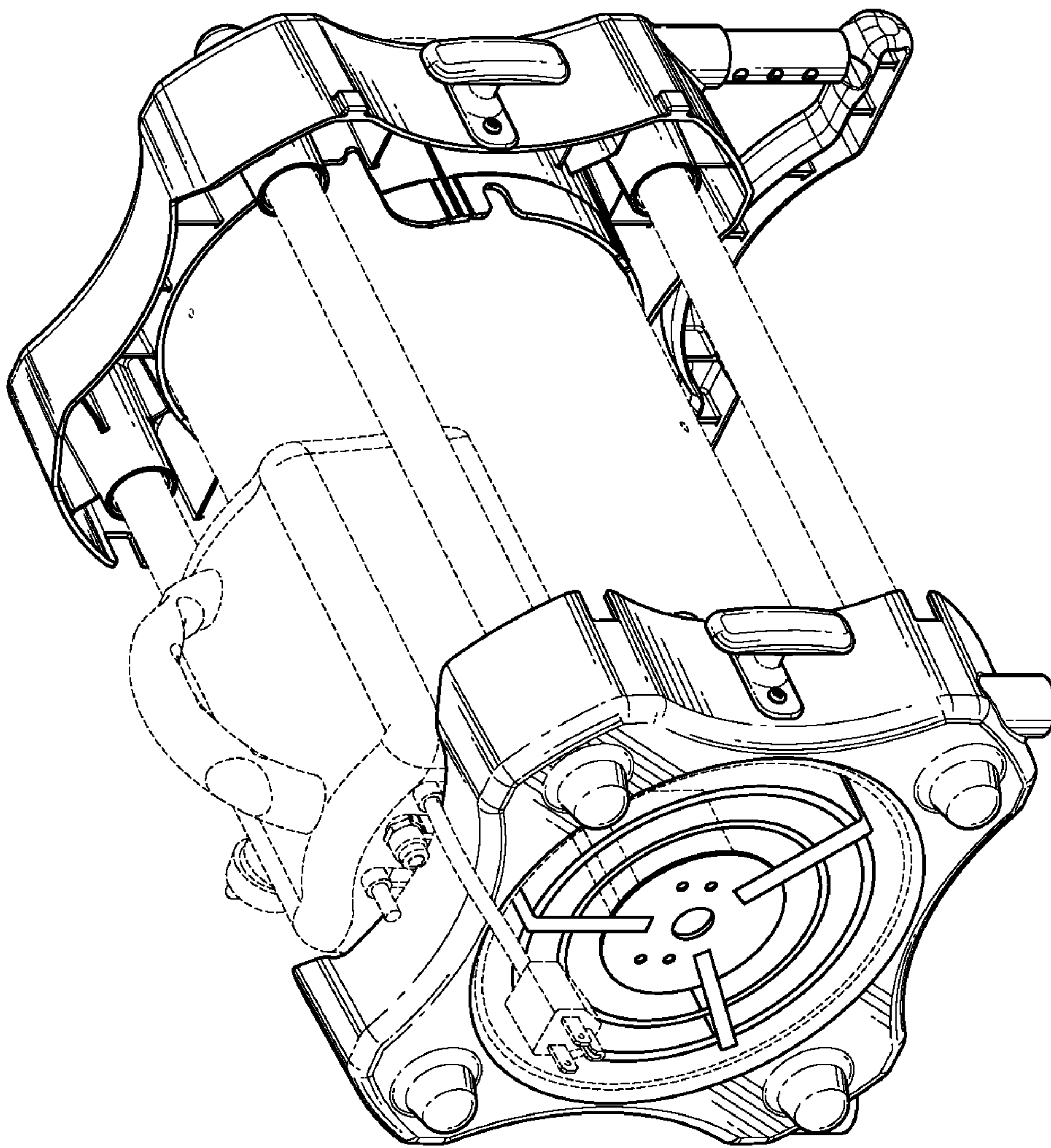


FIG. 1

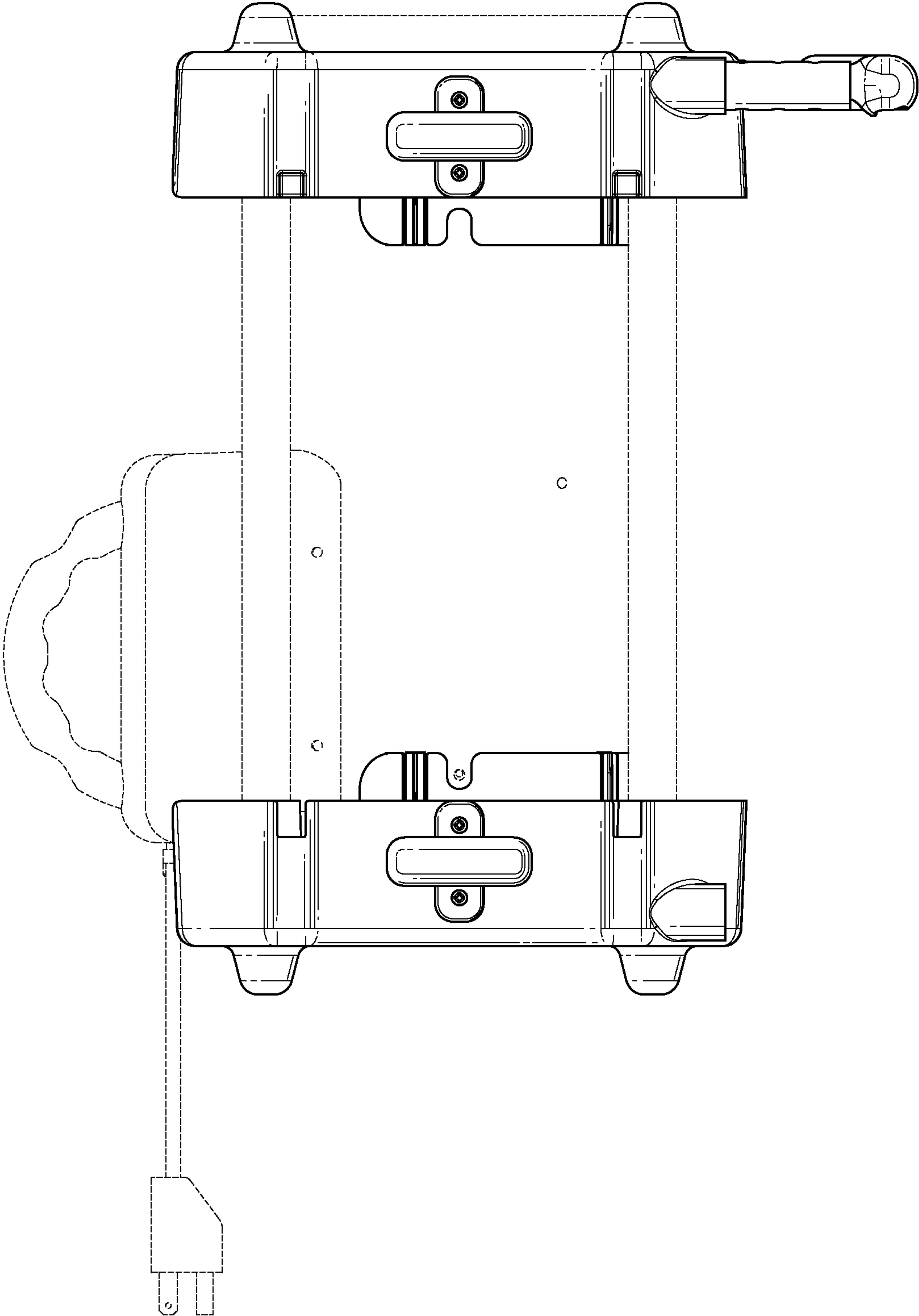


FIG. 2

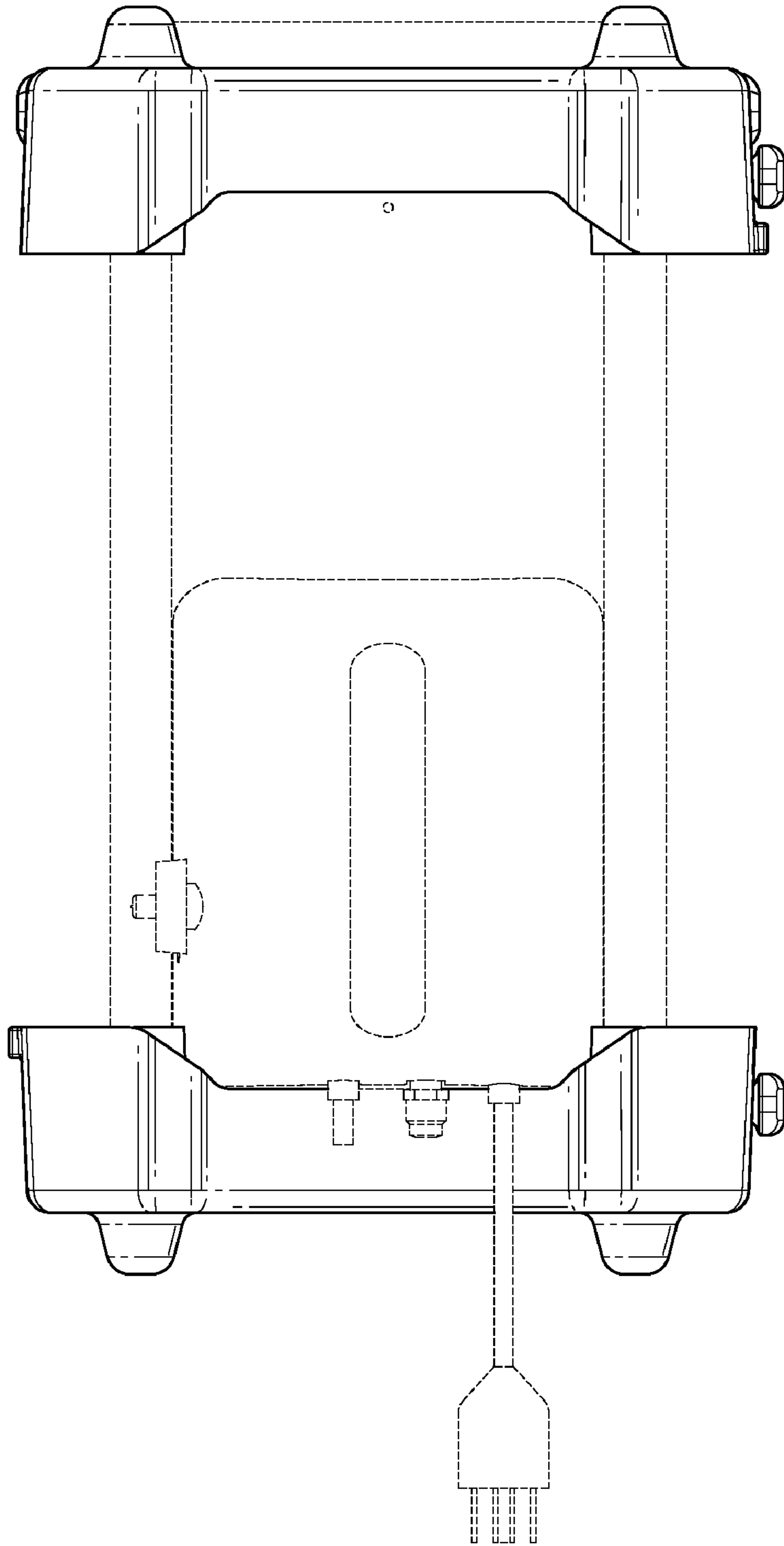


FIG. 3

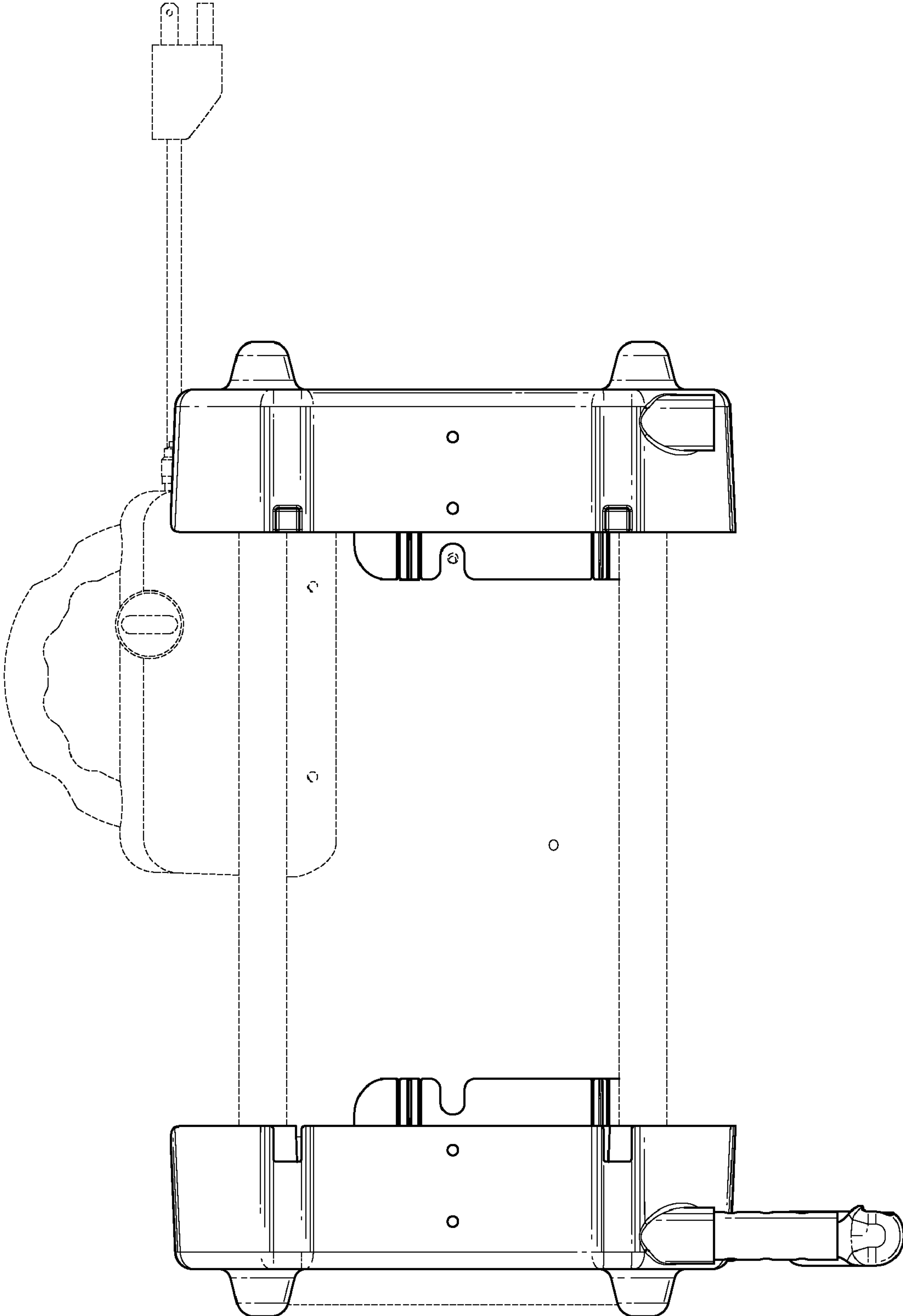


FIG. 4

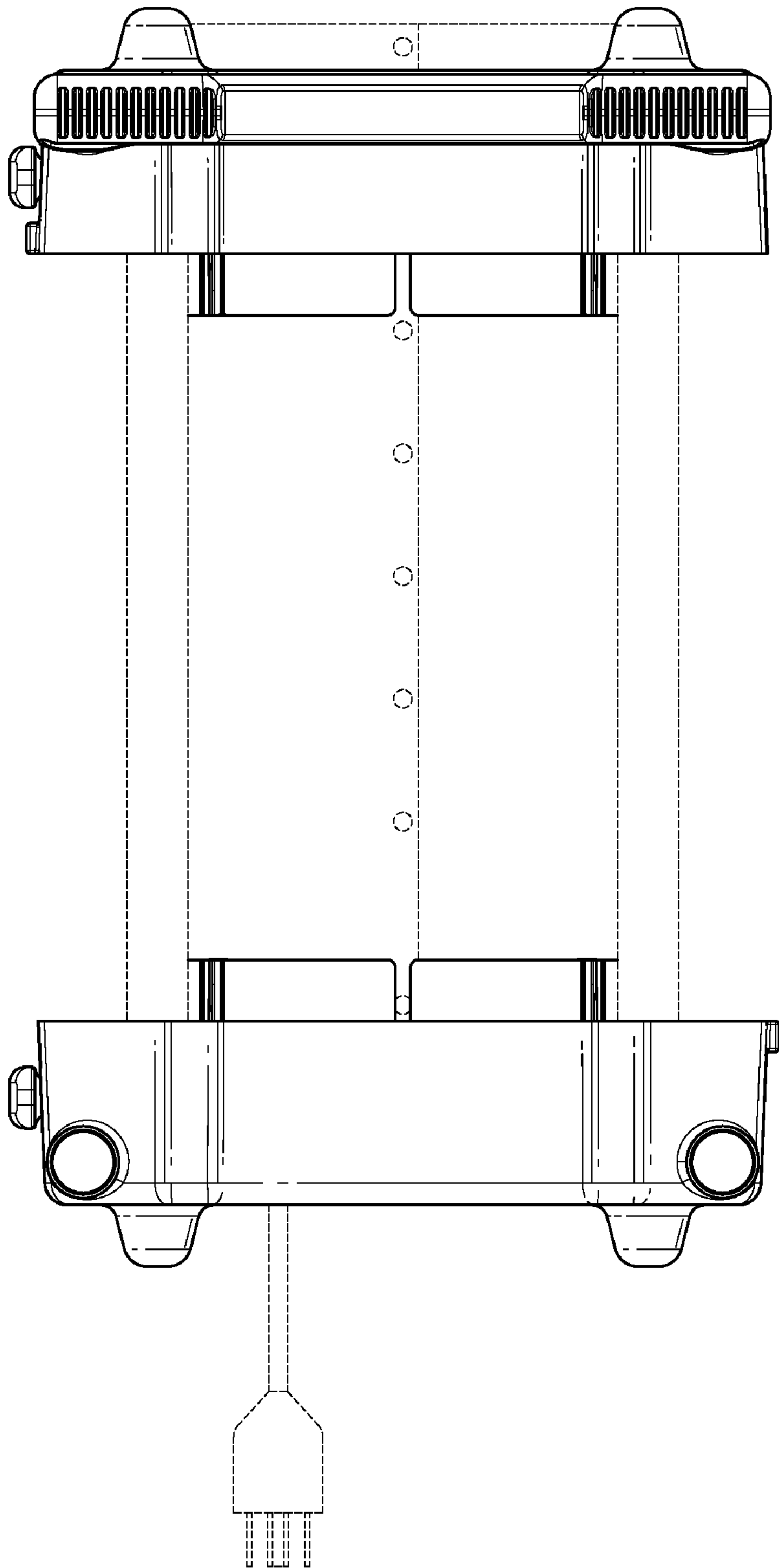


FIG. 5

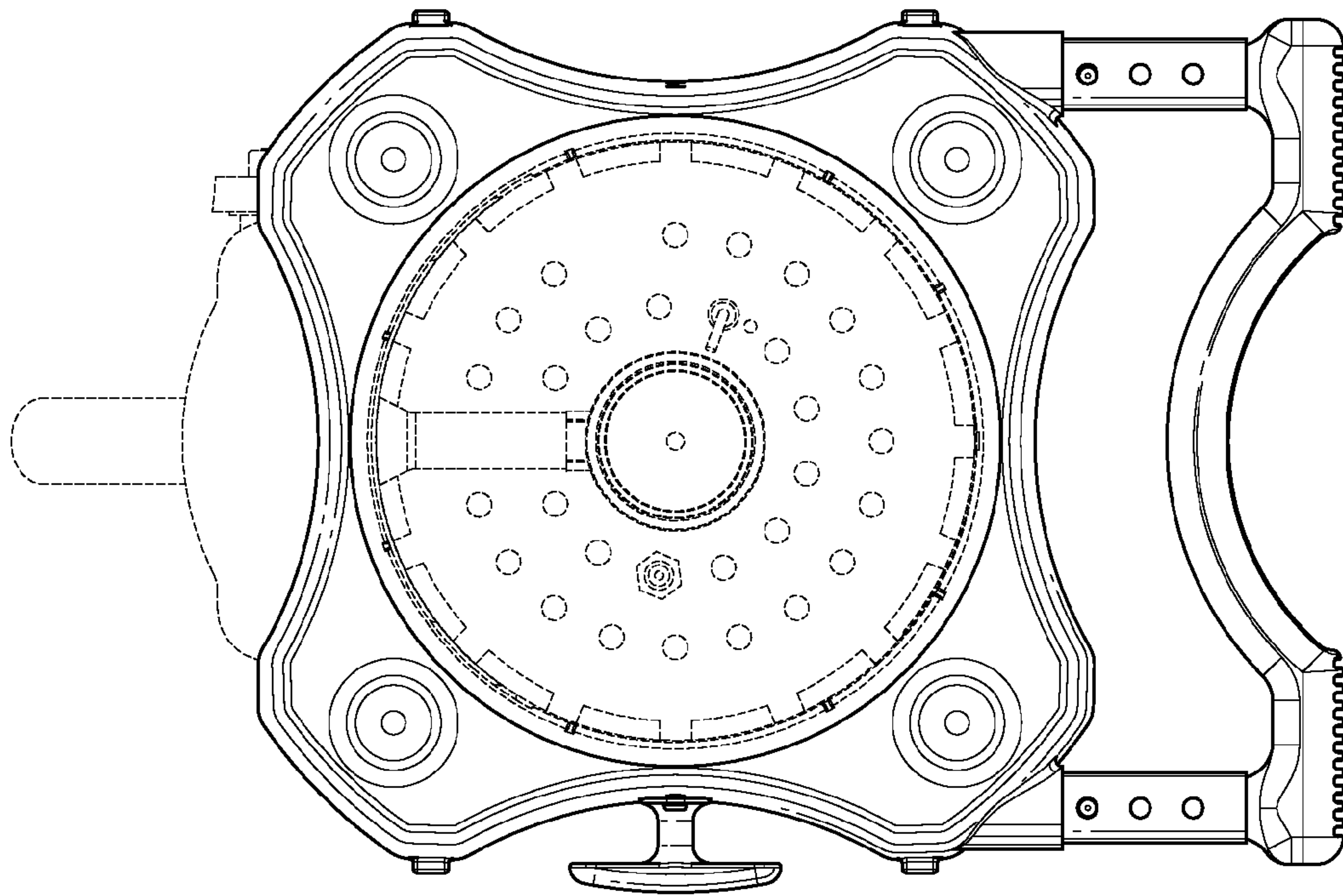


FIG. 6

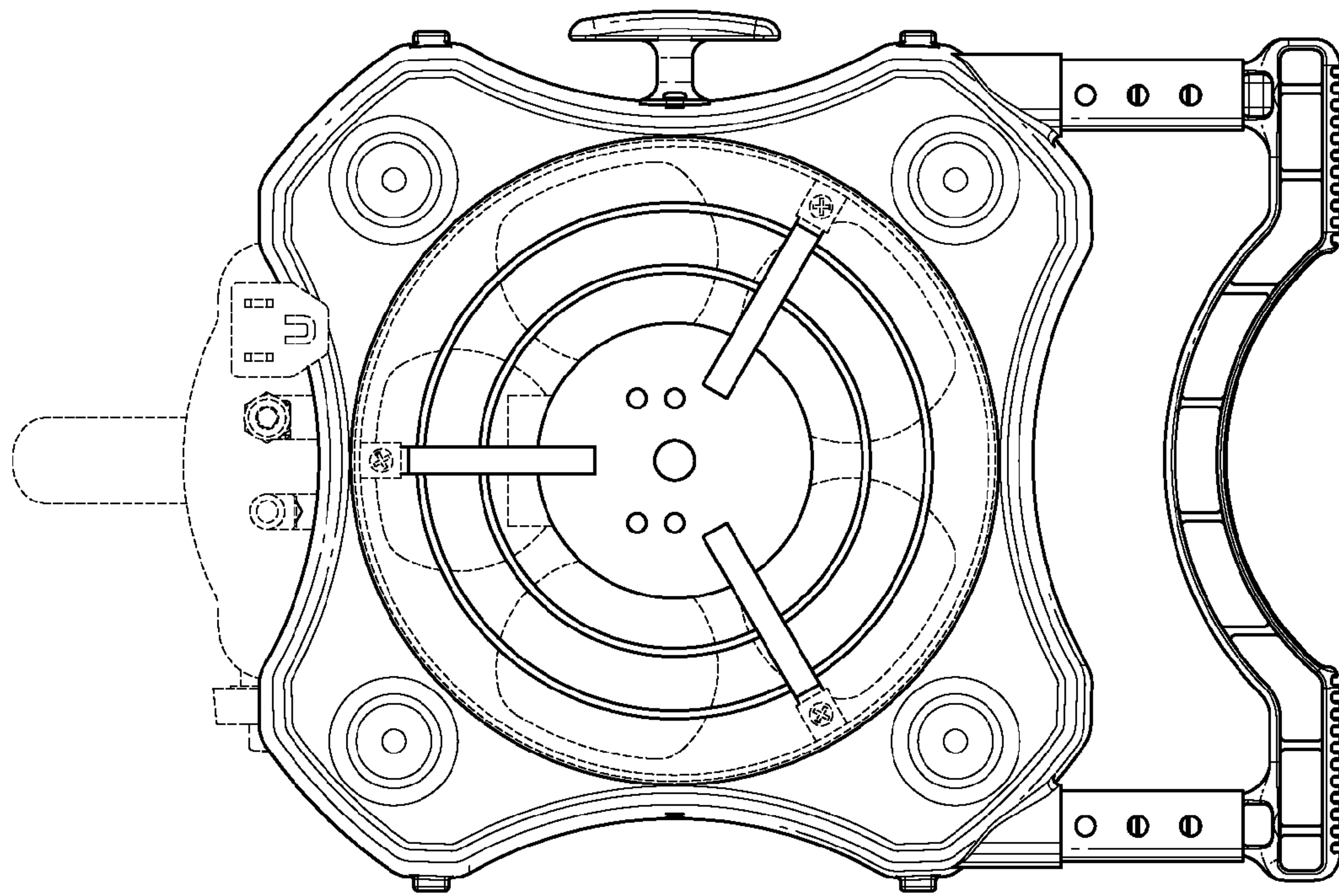


FIG. 7