

US00D547844S

(12) **United States Design Patent**
Mukai

(10) **Patent No.:** **US D547,844 S**

(45) **Date of Patent:** **** Jul. 31, 2007**

(54) **LAVATORY**

(75) Inventor: **Yoshitaka Mukai**, Kitakyushu (JP)

(73) Assignee: **ToTo Ltd.**, Kitakyushu (JP)

(**) Term: **14 Years**

(21) Appl. No.: **29/257,018**

(22) Filed: **Mar. 29, 2006**

(51) **LOC (8) Cl.** **23-02**

(52) **U.S. Cl.** **D23/293.1**

(58) **Field of Classification Search** D23/270-273,
D23/284-287, 289, 291-293.1, 303, 308;
4/619, 630-631, 637, 661; D6/511; D21/524
See application file for complete search history.

(56) **References Cited**

U.S. PATENT DOCUMENTS

3,578,737 A * 5/1971 Ruggles et al. 4/631
D501,246 S * 1/2005 Reid et al. D23/293.1
D510,987 S * 10/2005 Piatt D23/293.1

* cited by examiner

Primary Examiner—Robert A. Delehanty

(74) *Attorney, Agent, or Firm*—Birch, Stewart, Kolasch & Birch, LLP

(57) **CLAIM**

The ornamental design for a lavatory, as shown and described.

DESCRIPTION

FIG. 1 is a perspective view of the top, front and right side of a lavatory showing my new design;

FIG. 2 is a front view thereof;

FIG. 3 is a top plan view thereof;

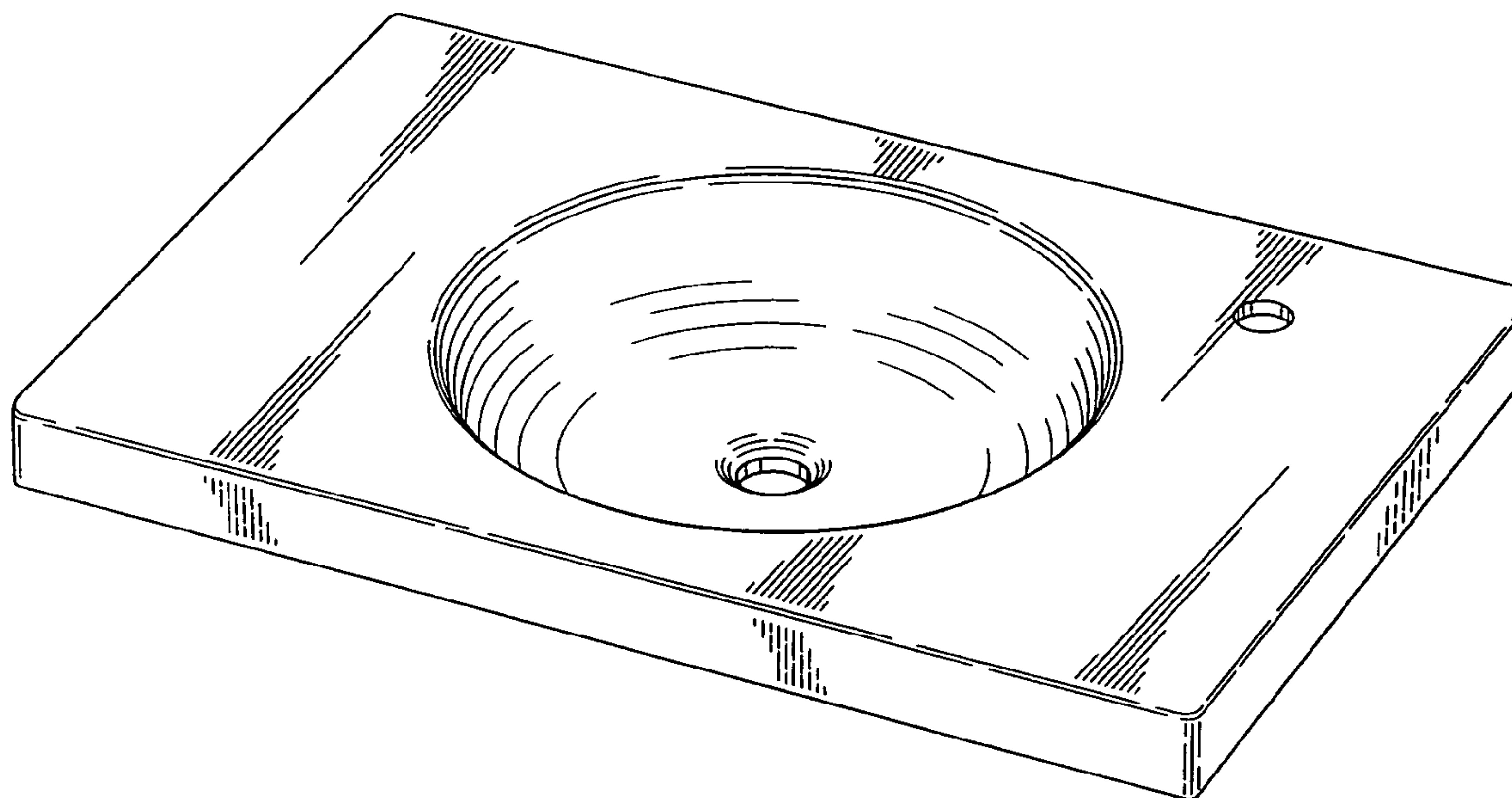
FIG. 4 is a left side view thereof;

FIG. 5 is a right side view thereof;

FIG. 6 is a rear view thereof; and,

FIG. 7 is a bottom view thereof.

1 Claim, 3 Drawing Sheets



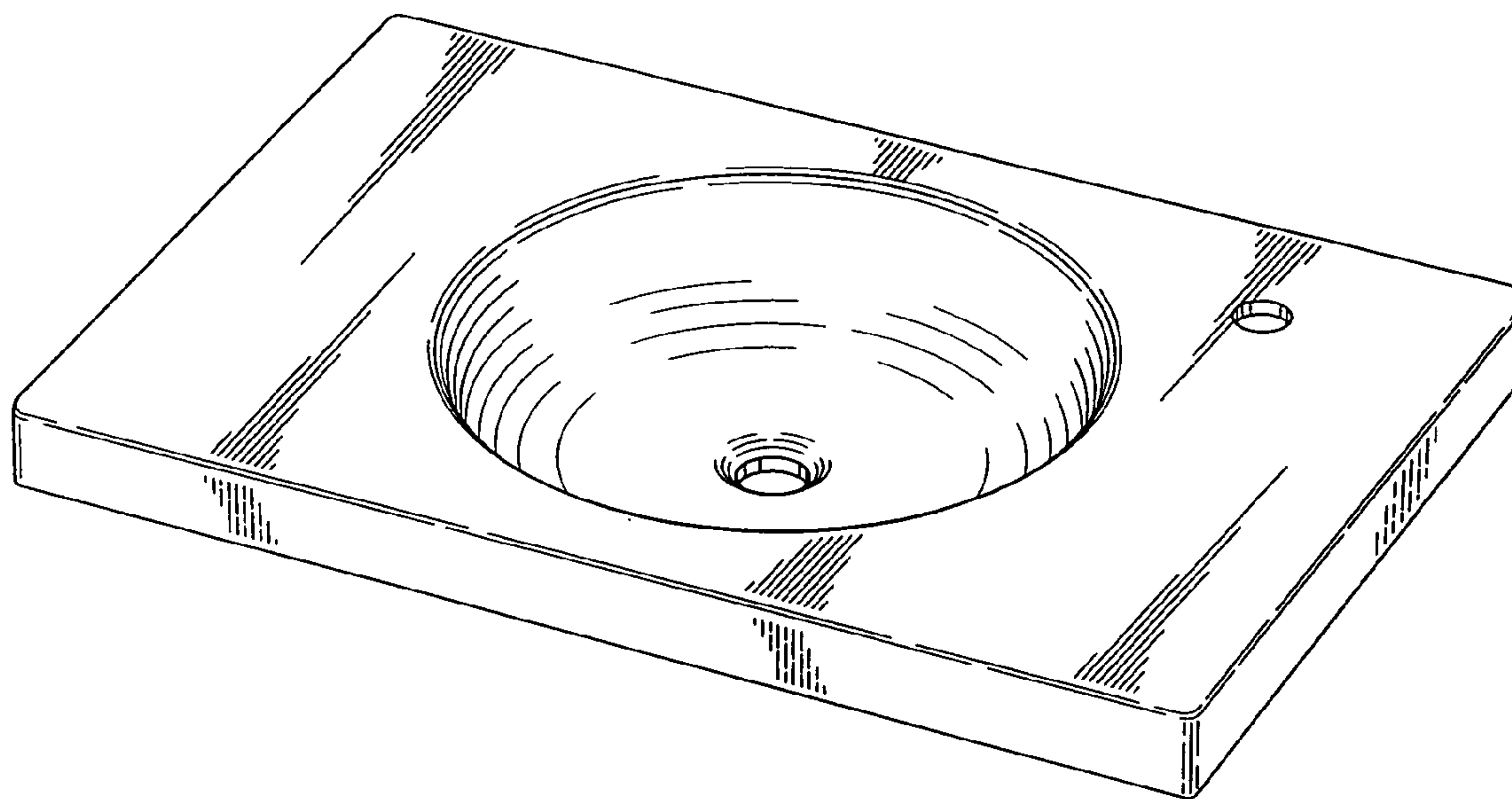


FIG. 1

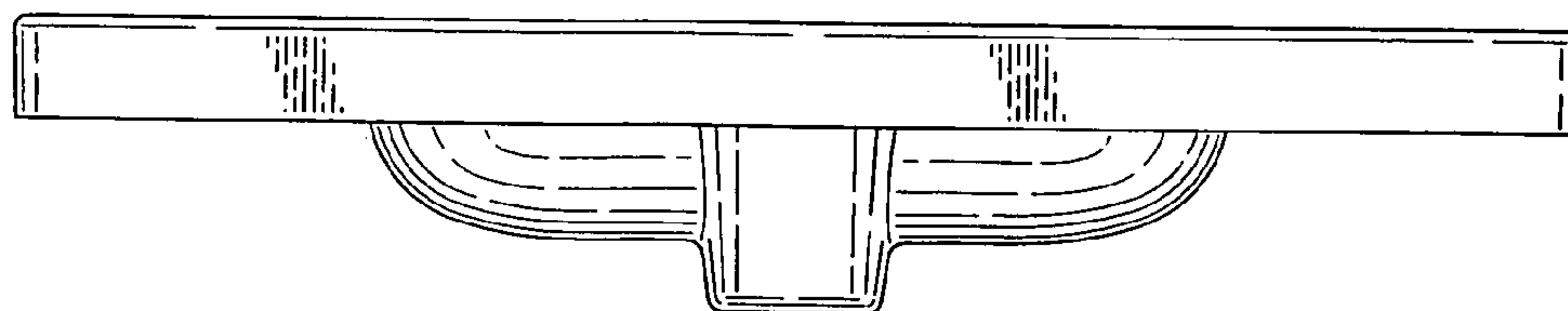


FIG. 2

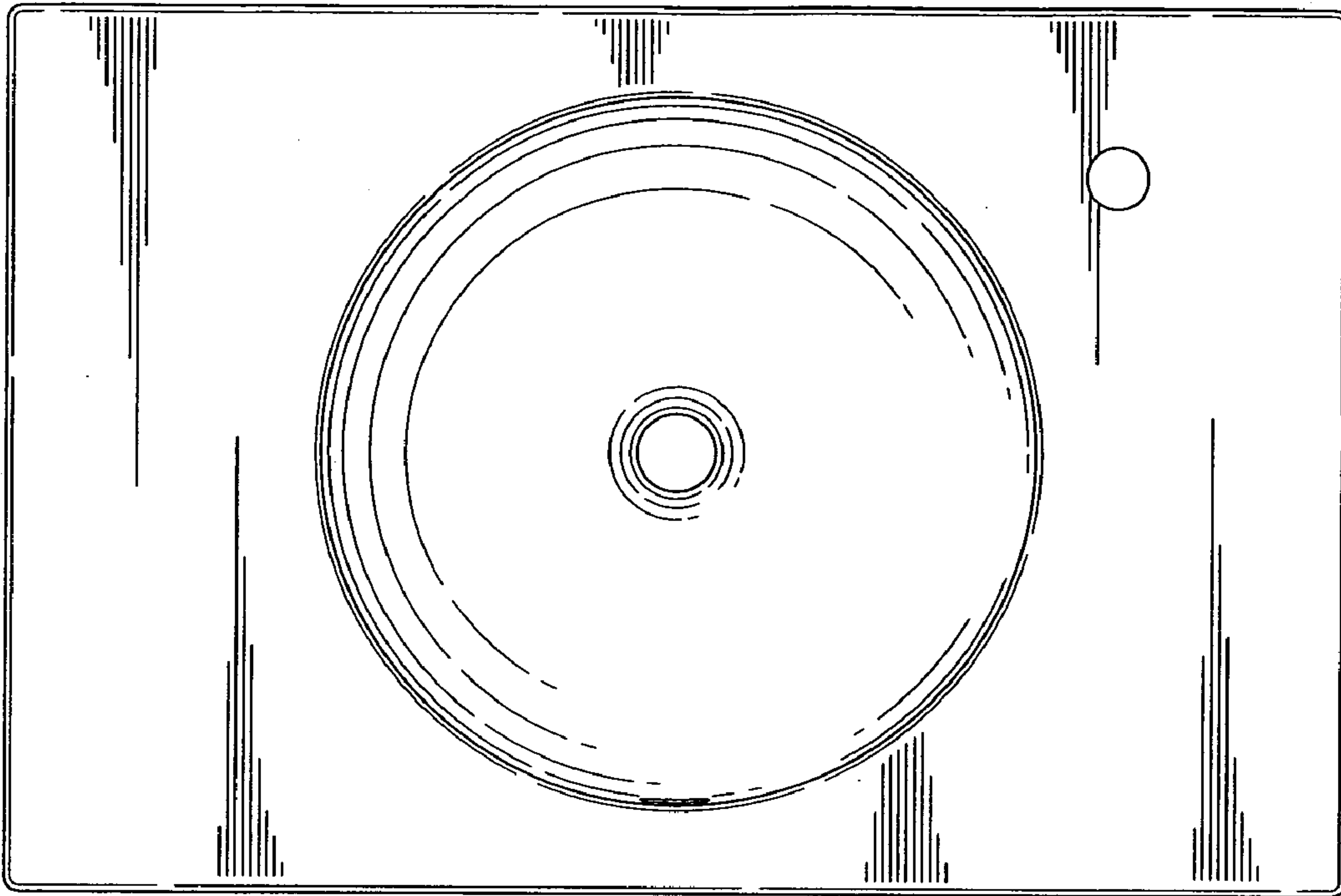


FIG. 3

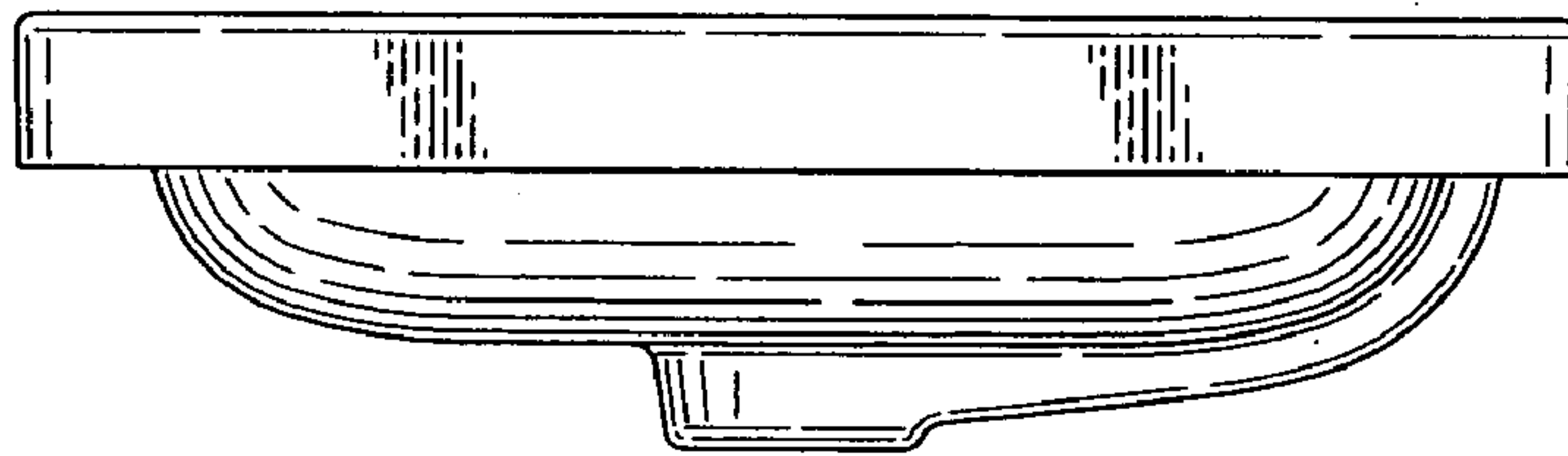


FIG. 4

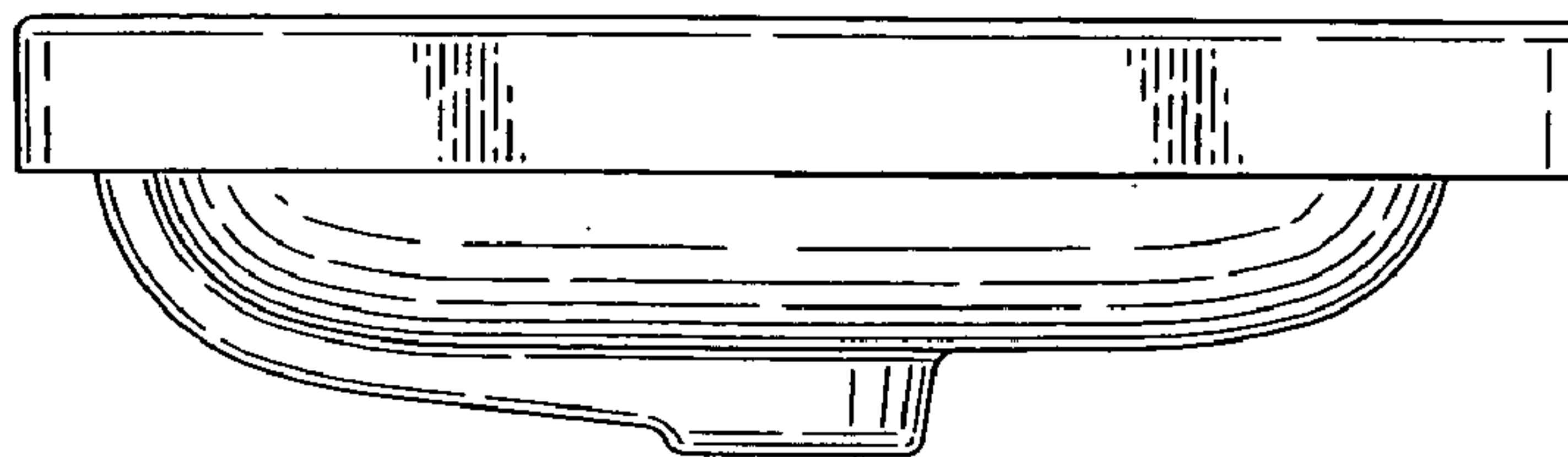


FIG. 5

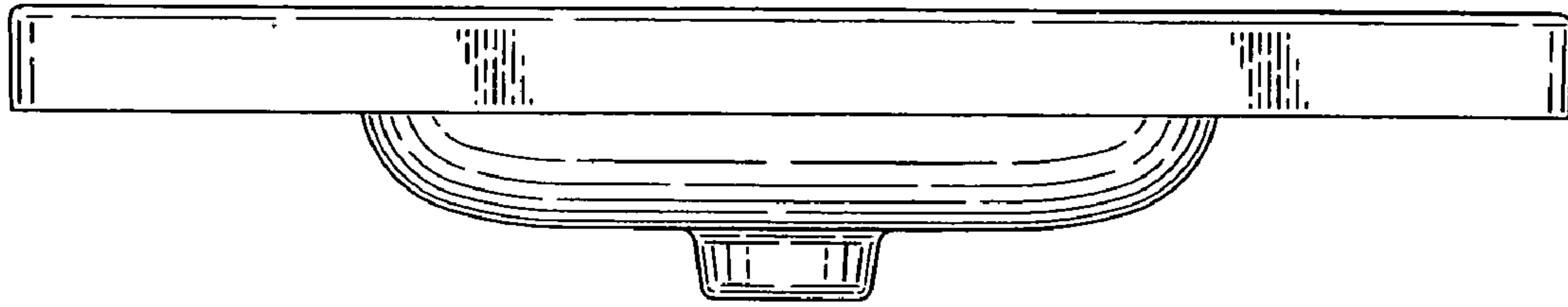


FIG. 6

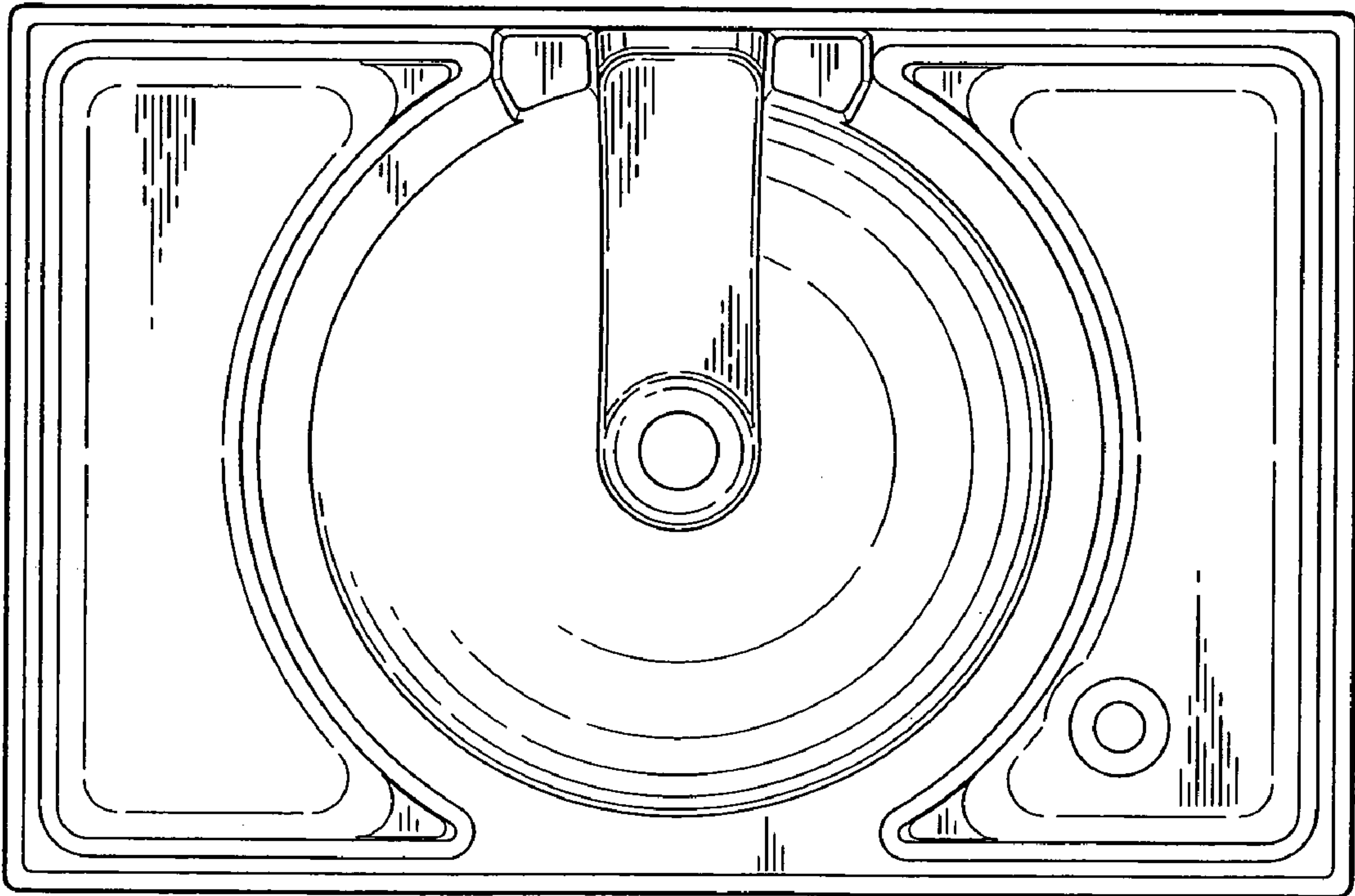


FIG. 7