



US00D547836S

(12) **United States Design Patent**
Ziemann

(10) **Patent No.:** **US D547,836 S**
(45) **Date of Patent:** **** Jul. 31, 2007**

- (54) **SINK**
- (75) Inventor: **Brigitte Ziemann**, Eppingen (DE)
- (73) Assignee: **Blanco GmbH + Co KG** (DE)
- (**) Term: **14 Years**
- (21) Appl. No.: **29/242,611**
- (22) Filed: **Nov. 10, 2005**

(30) **Foreign Application Priority Data**

May 11, 2005 (EM) 000344775

- (51) **LOC (8) Cl.** **23-02**
 - (52) **U.S. Cl.** **D23/290**
 - (58) **Field of Classification Search** D23/290,
D23/303, 308; 4/639-642
- See application file for complete search history.

(56) **References Cited**

U.S. PATENT DOCUMENTS

- 4,039,077 A 8/1977 Sorenson
- 4,584,822 A 4/1986 Fielding et al.
- D323,879 S * 2/1992 Sauter D23/290
- D344,576 S * 2/1994 Stairs, Jr. D23/290
- 5,653,550 A 8/1997 Mutz et al.
- D398,970 S * 9/1998 Gardner et al. D23/290
- 5,860,172 A 1/1999 Pfeiffer
- RE37,253 E 7/2001 Moren et al.
- 6,308,351 B1 10/2001 Franke
- 6,382,422 B1 5/2002 Bocek
- D508,555 S 8/2005 Ziemann
- D518,881 S 4/2006 Ziemann
- 2003/0041374 A1 3/2003 Franke
- 2004/0078892 A1 4/2004 Albarran
- 2005/0205193 A1 9/2005 Von Mertz
- 2005/0263427 A1 12/2005 Schneider et al.

FOREIGN PATENT DOCUMENTS

- DE 1920893 A 11/1970
- DE 1628684 12/1970

- DE 2640935 A1 3/1977
- DE 2813088 A 10/1979
- DE 7820319 U1 12/1979
- DE 3 110 134 10/1982
- DE 3925590 A 2/1991
- DE 4241023 A 6/1994
- DE 4437630 1/1996
- DE 29620839 U1 3/1997
- DE 29822399 U1 4/1999
- EP 0685021 B1 12/1995
- EP 0 709 528 5/1996
- EP 0 976 881 2/2000
- EP 1 103 665 5/2001

(Continued)

OTHER PUBLICATIONS

European Patent Office Search Report for European Patent Application No. 04 012 865.4, Nov. 3, 2004 (3 pages).
European Patent Office Search Report for European Patent Application No. 04 012 866.2, Nov. 12, 2004 (3 pages).

(Continued)

Primary Examiner—Robert A. Delehanty
(74) *Attorney, Agent, or Firm*—Hanley, Flight & Zimmerman, LLC

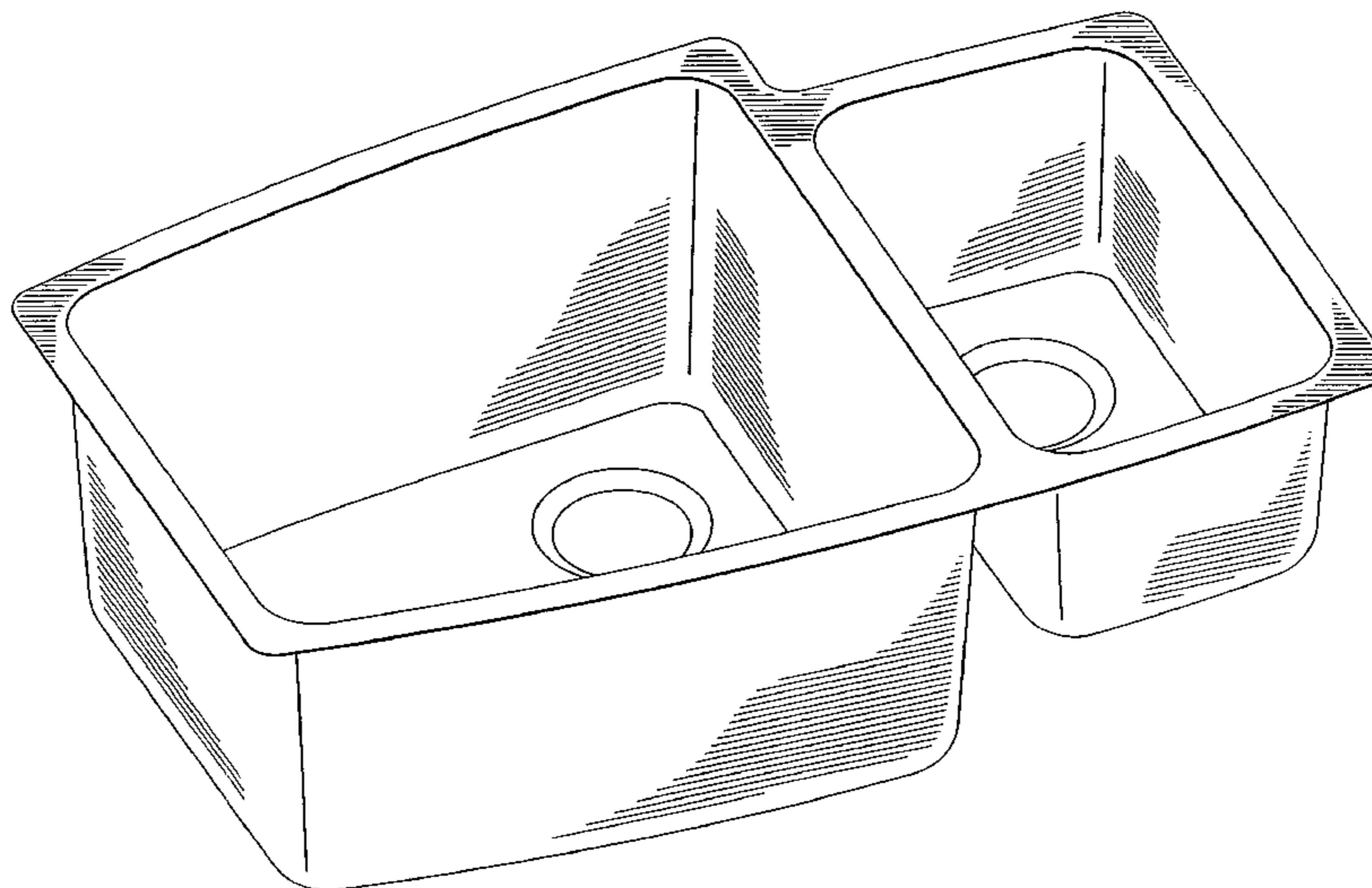
(57) **CLAIM**

The ornamental design for a “sink,” as shown and described.

DESCRIPTION

FIG. 1 is a top, left perspective view of a sink showing my new design.
FIG. 2 is a top plan view of the sink of FIG. 1.
FIG. 3 is a bottom plan view of the sink of FIG. 1.
FIG. 4 is a front view of the sink of FIG. 1.
FIG. 5 is a rear view of the sink of FIG. 1.
FIG. 6 is a right side view of the sink of FIG. 1; and,
FIG. 7 is a left side view of the sink of FIG. 1.

1 Claim, 7 Drawing Sheets



FOREIGN PATENT DOCUMENTS

EP	1188685 A2	3/2002
FR	1319427	3/1963
FR	2430532	7/1979
FR	2 832 440	5/2003
GB	2108195 A	5/1983
GB	2263060 A	7/1993
JP	63272682	11/1988
JP	10029684	2/1998
NL	8201555	11/1983

OTHER PUBLICATIONS

International Search Report corresponding to International Application No. PCT/EP2004/012840 (5 pages).
 Office action of German Patent Office corresponding to German Application No. 103 55 032.1 (2 pages).
 International Search Report corresponding to International Application Ser. No. PCT/EP2004/007830, Oct. 5, 2004, 3 pages.
 Ziemann, Brigitte, U.S. Appl. No. 29/225,634, filed Mar. 18, 2005 for "Sink."
 Schneider, Wolfgang, U.S. Appl. No. 11/140,830, filed May 31, 2005 for "Built-Under Sinks."
 Ziemann, Brigitte, U.S. Appl. No. 29/242,599, filed Nov. 10, 2005 for "Sink Performa V2 Big Single."
 Ziemann, Brigitte, U.S. Appl. No. 29/242,618, filed Nov. 10, 2005 for "Sink Performa K4 2.0 Small."
 Ziemann, Brigitte, U.S. Appl. No. 29/242,607, filed Nov. 10, 2005, for "Sink Performa K4 1.0 Large."
 Ziemann, Brigitte, U.S. Appl. No. 29/242,581, filed Nov. 10, 2005, for "Sink Performa K3 30 1.5."

Ziemann, Brigitte, U.S. Appl. No. 29/242,612, filed Nov. 10, 2005 for "Sink Performa V2 Single Bar."
 Ziemann, Brigitte, U.S. Appl. No. 29/242,608, filed Nov. 10, 2005 for "Sink Performa K4 1.0 Super Single."
 Ziemann, Brigitte, U.S. Appl. No. 29/242,627, filed Nov. 10, 2005 for "Sink Performa K4 1.75."
 Ziemann, Brigitte, U.S. Appl. No. 29/242,600, filed Nov. 10, 2005 for "Sink Performa V2 33 1.75 Left."
 Schnedier, Wolfgang et al., U.S. Appl. No. 29/256,748, filed Mar. 24, 2006 for "Sink."
 Ziemann, Brigitte, U.S. Appl. No. 29/242,626, filed Nov. 10, 2005 for "Sink Performa K3 30 Single Bar."
 Schneider, Wolfgang, U.S. Appl. No. 29/240,298, filed Oct. 11, 2005, for "Sink."
 Ziemann, Brigitte, U.S. Appl. No. 29/242,610, filed Nov. 10, 2005 for "Sink Performa V2 Double."
 Von Mertz, Gert Spruner et al., U.S. Appl. No. 11/321,683, filed Dec. 28, 2005 for "A Movement Mechanism for Moving a Closure Element for the Purposes of Sealing a Waste Outlet Opening."
 Schneider, Wolfgang et al., U.S. Appl. No. 11/403,315, filed Apr. 13, 2006 for "Sink."
 Ziemann, Brigitte, U.S. Appl. No. 29/242,523, filed Nov. 10, 2005 for "Sink Performa K3 30 Double."
 Von Mertz, Gert Spruner, U.S. Appl. No. 11/057,961, filed Aug. 13, 2003, for "Installation Elements and Methods for Fastening an Installation Element to a Work Surface."
 Schneider, Wolfgang et al., U.S. Appl. No. 10/872,855, filed Jun. 21, 2004, for "Packaging for a Sink."

* cited by examiner

Fig. 1

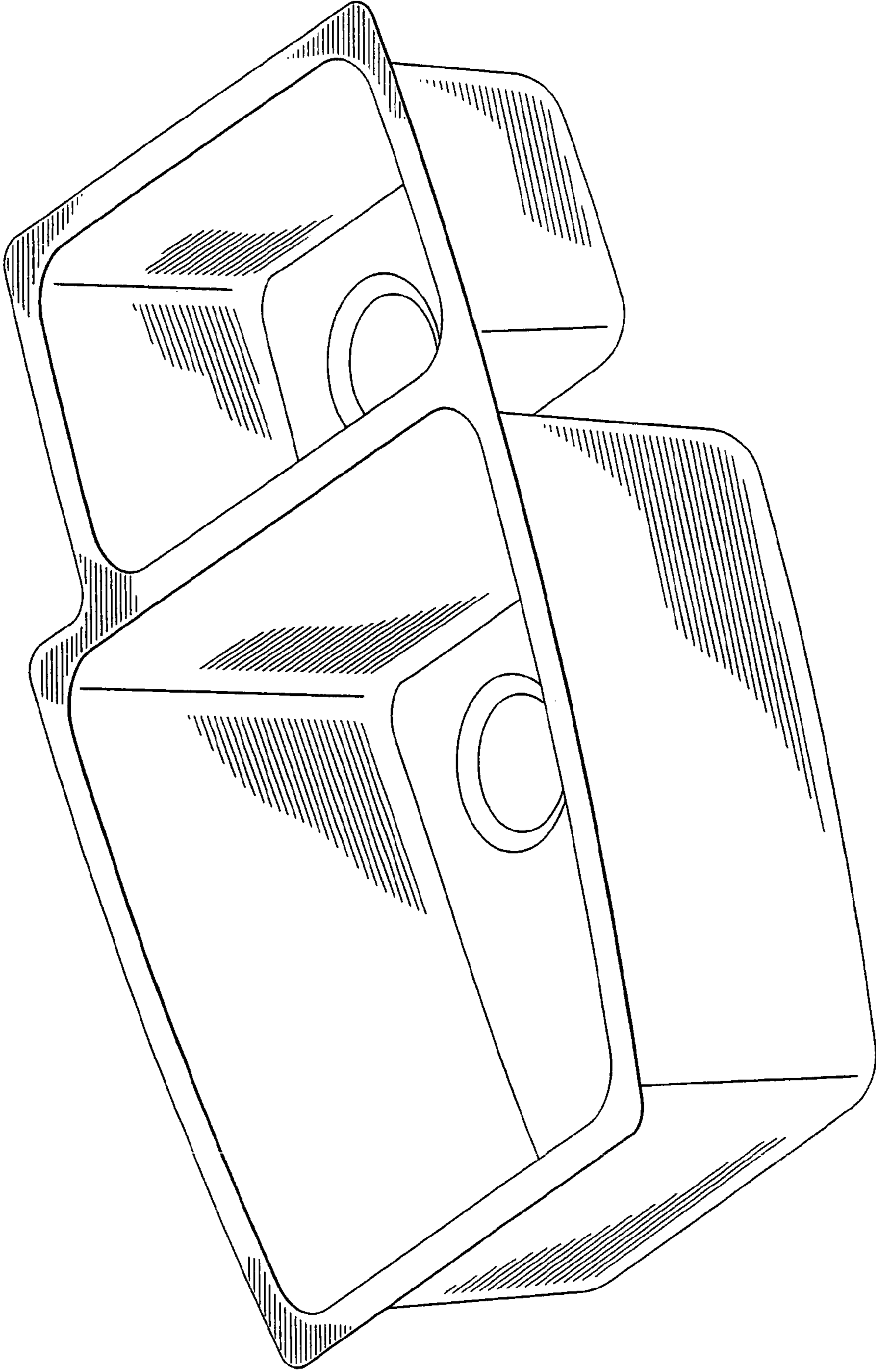


Fig. 2

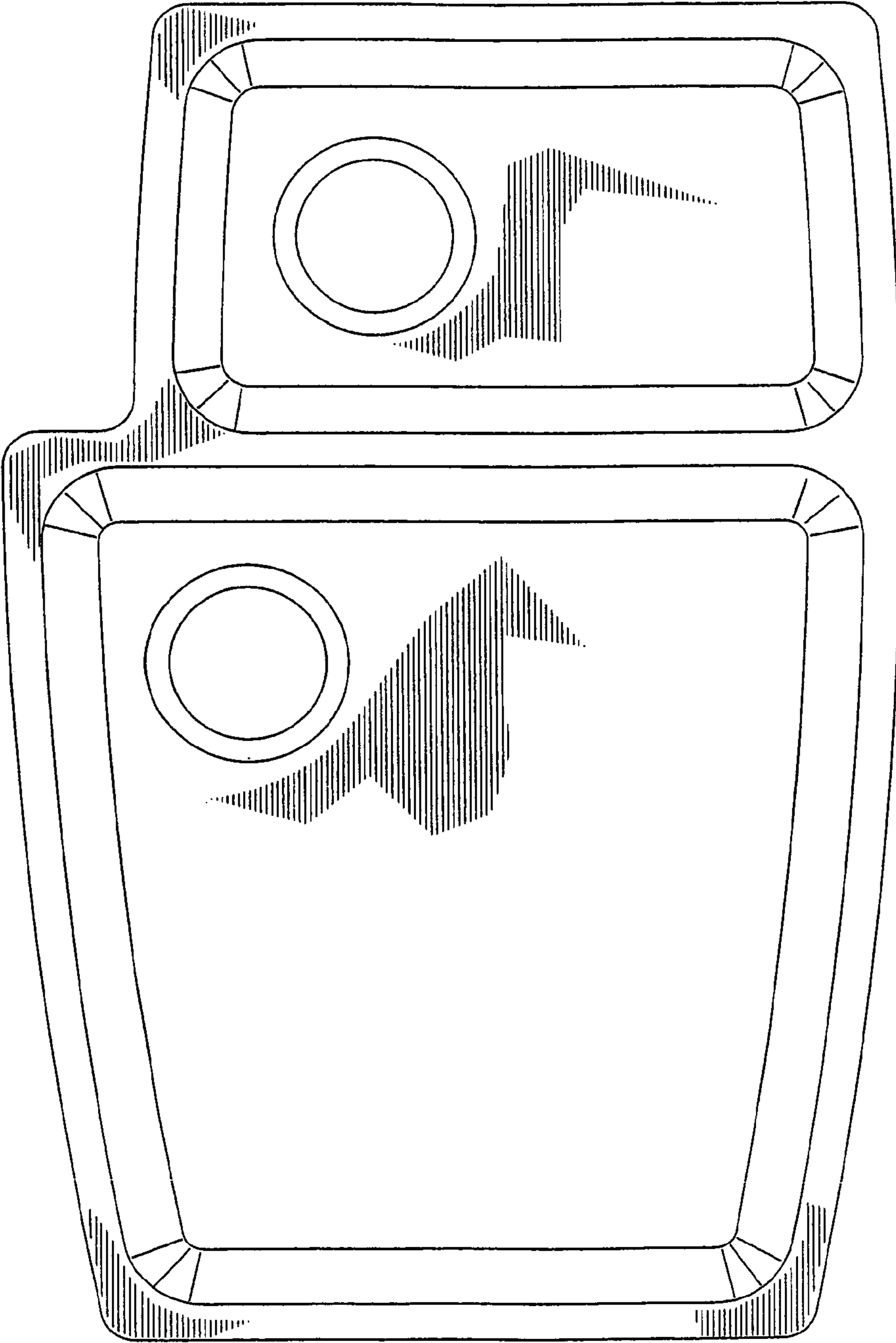


Fig. 3

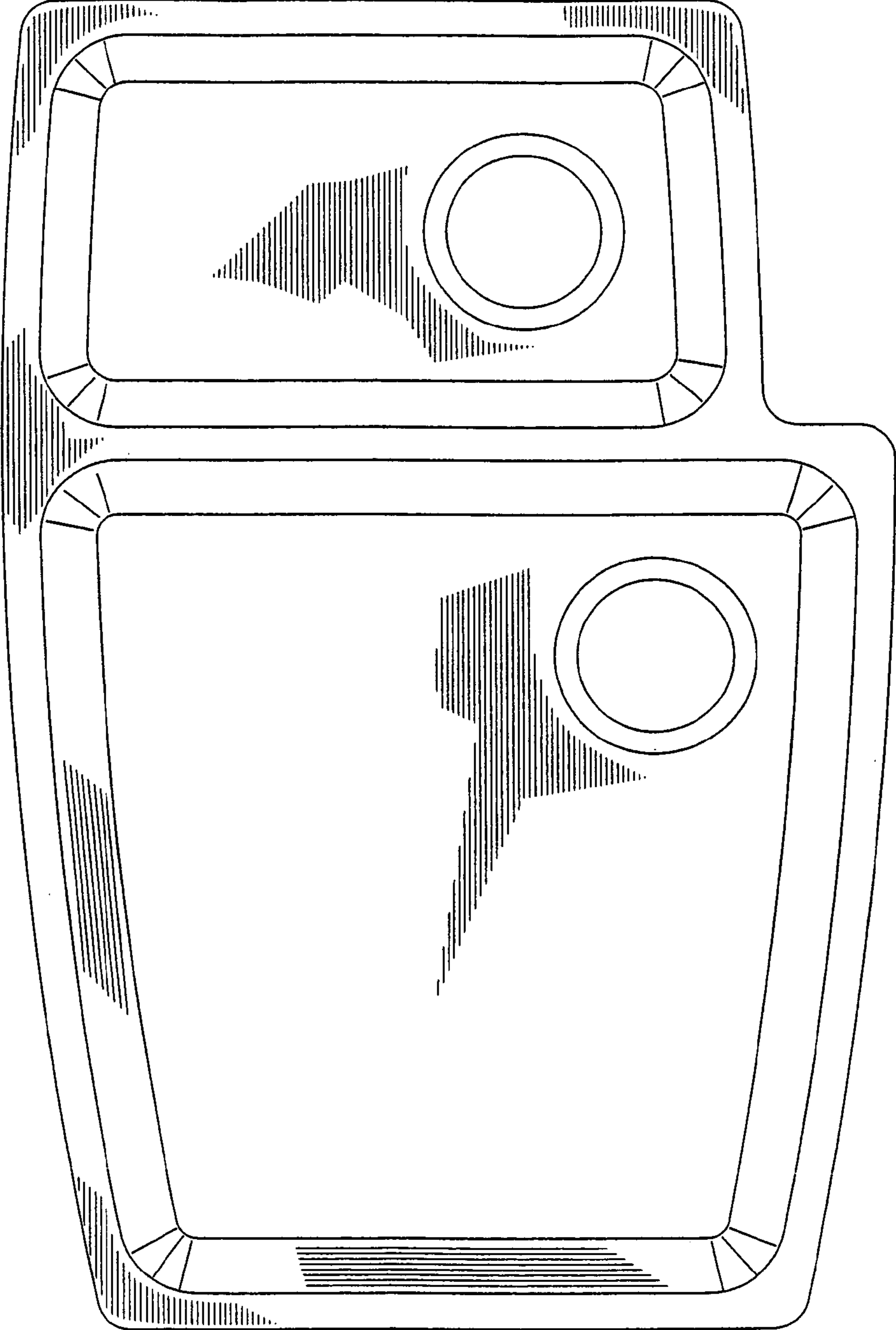


Fig. 4

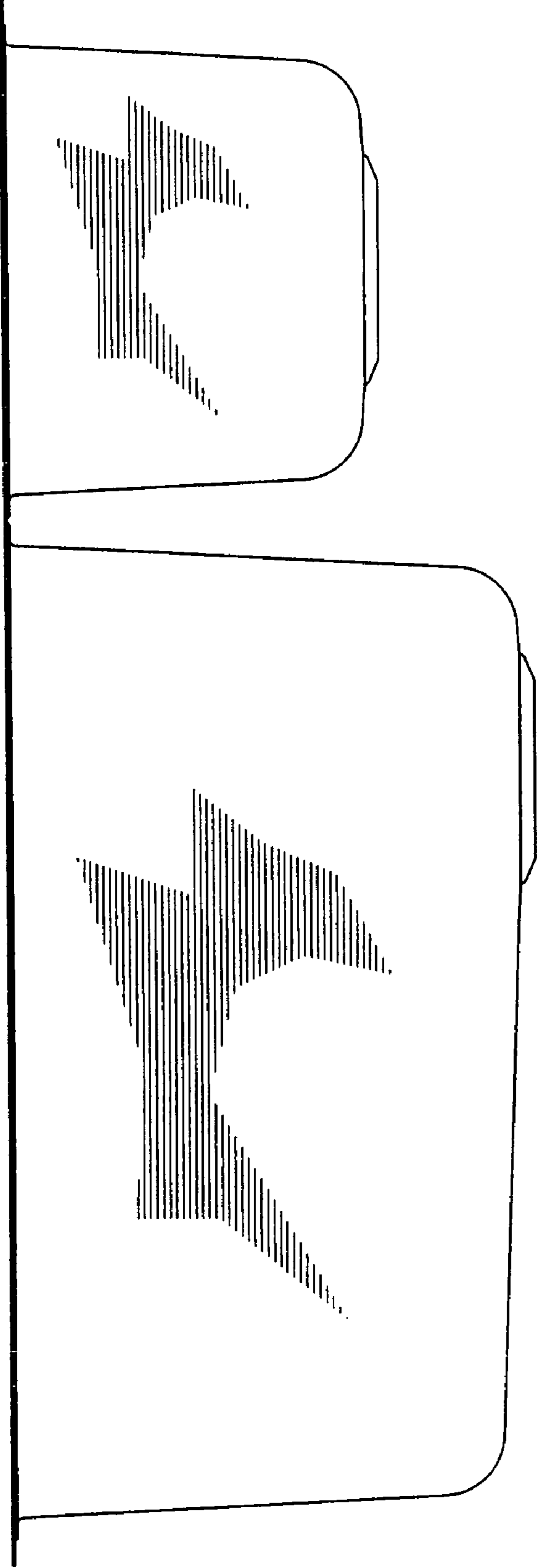


Fig. 5

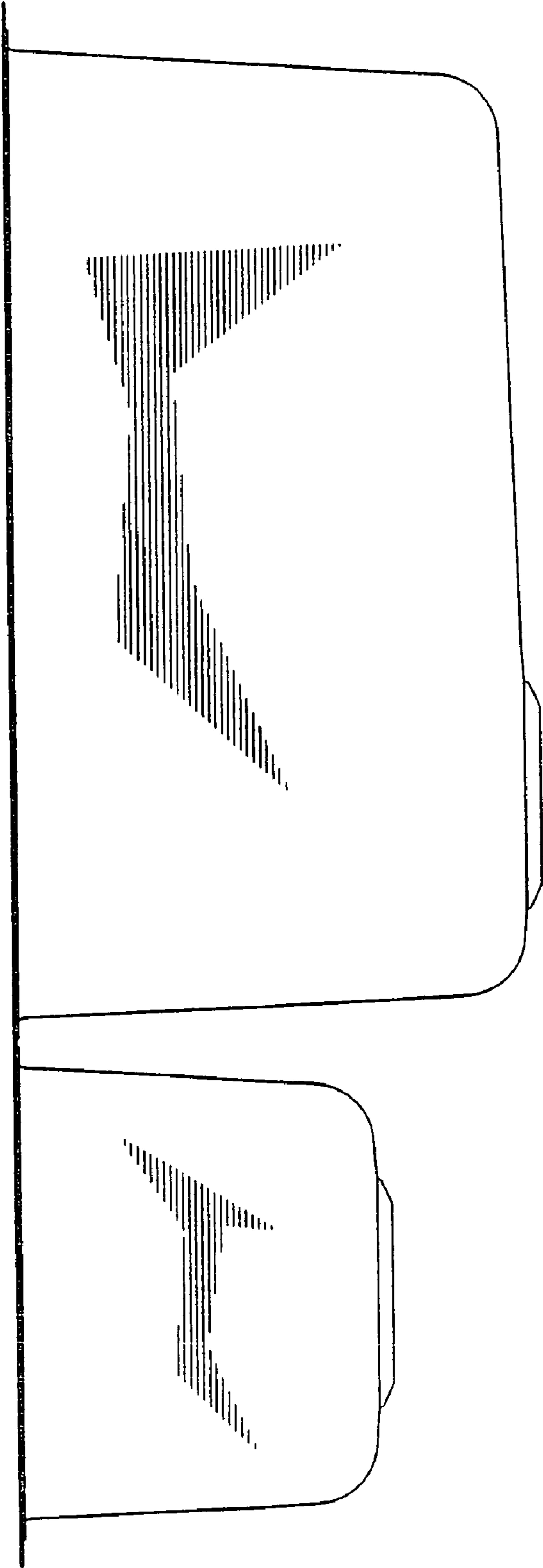


Fig. 6

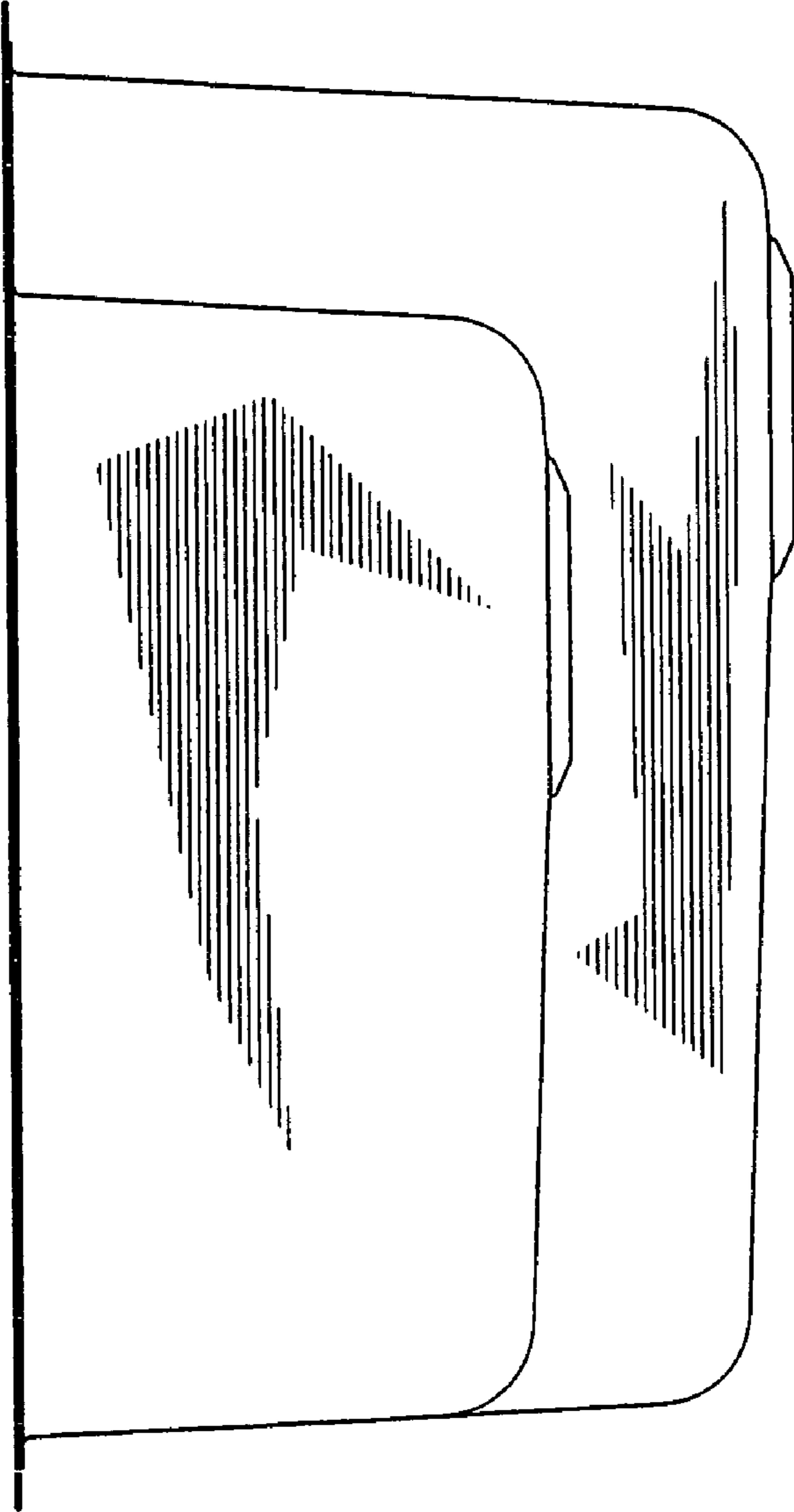


Fig. 7

