

US00D547833S

(12) **United States Design Patent**
Mahon

(10) **Patent No.:** **US D547,833 S**

(45) **Date of Patent:** **** Jul. 31, 2007**

(54) **SINK**

(75) Inventor: **Terrence K. Mahon**, Whitefish Bay,
WI (US)

(73) Assignee: **Kohler Co.**, Kohler, WI (US)

(**) Term: **14 Years**

(21) Appl. No.: **29/242,190**

(22) Filed: **Nov. 7, 2005**

(51) **LOC (8) Cl.** **23-02**

(52) **U.S. Cl.** **D23/290**

(58) **Field of Classification Search** D23/290,
D23/303, 308; 4/639-642
See application file for complete search history.

(56) **References Cited**

U.S. PATENT DOCUMENTS

D323,879 S *	2/1992	Sauter	D23/290
D324,264 S *	2/1992	Sauter et al.	D23/290
D344,576 S *	2/1994	Stairs, Jr.	D23/290
D482,106 S	11/2003	Ziemann et al.		
D523,540 S *	6/2006	Gordon	D23/290

OTHER PUBLICATIONS

U.S. Appl. No. 29/222,133, filed Jan. 26, 2005, Figs. 1-6.
Kohler Co., 2004 K-700 Design Manual, Model No. K-3246-3-NA
“Ballad—Double Equal Self-Rimming Kitchen Sink,” p. 15.53.

Kohler Co., 2004 K-700 Design Manual, Model No. K-3371-3-NA
“Verse—Double Equal Self-Rimming Kitchen Sink,” p. 15.53.

* cited by examiner

Primary Examiner—Robert A. Delehanty

(74) *Attorney, Agent, or Firm*—Quarles & Brady LLP

(57) **CLAIM**

The ornamental design for a sink, as shown and described.

DESCRIPTION

In a preferred embodiment, the nature of this product is as a plumbing fixture primarily useful for washing various objects.

FIG. 1 is a right, top, front perspective view of a sink according to my new design;

FIG. 2 is a top plan view thereof;

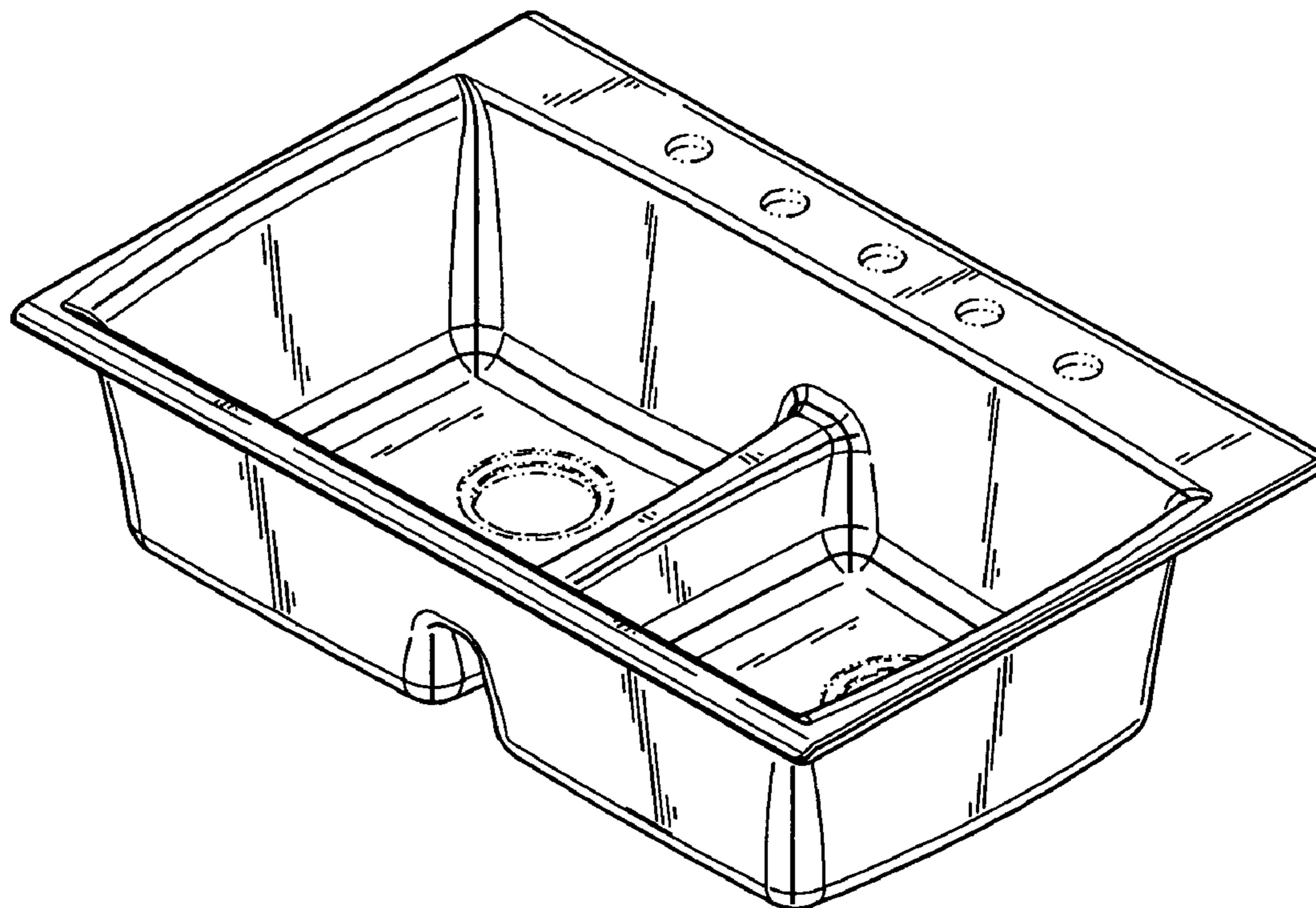
FIG. 3 is a front elevational view thereof, the rear elevational view thereof being a mirror image of the front elevational view shown;

FIG. 4 is a right side elevational view thereof, the left side elevational view thereof being a mirror image of the right side shown; and,

FIG. 5 is a bottom plan view thereof.

The broken line representations of drain structure in the figures and mounting holes in FIGS. 1, 2 and 5 are for the purpose of illustration only, and form no part of the claimed design.

1 Claim, 2 Drawing Sheets



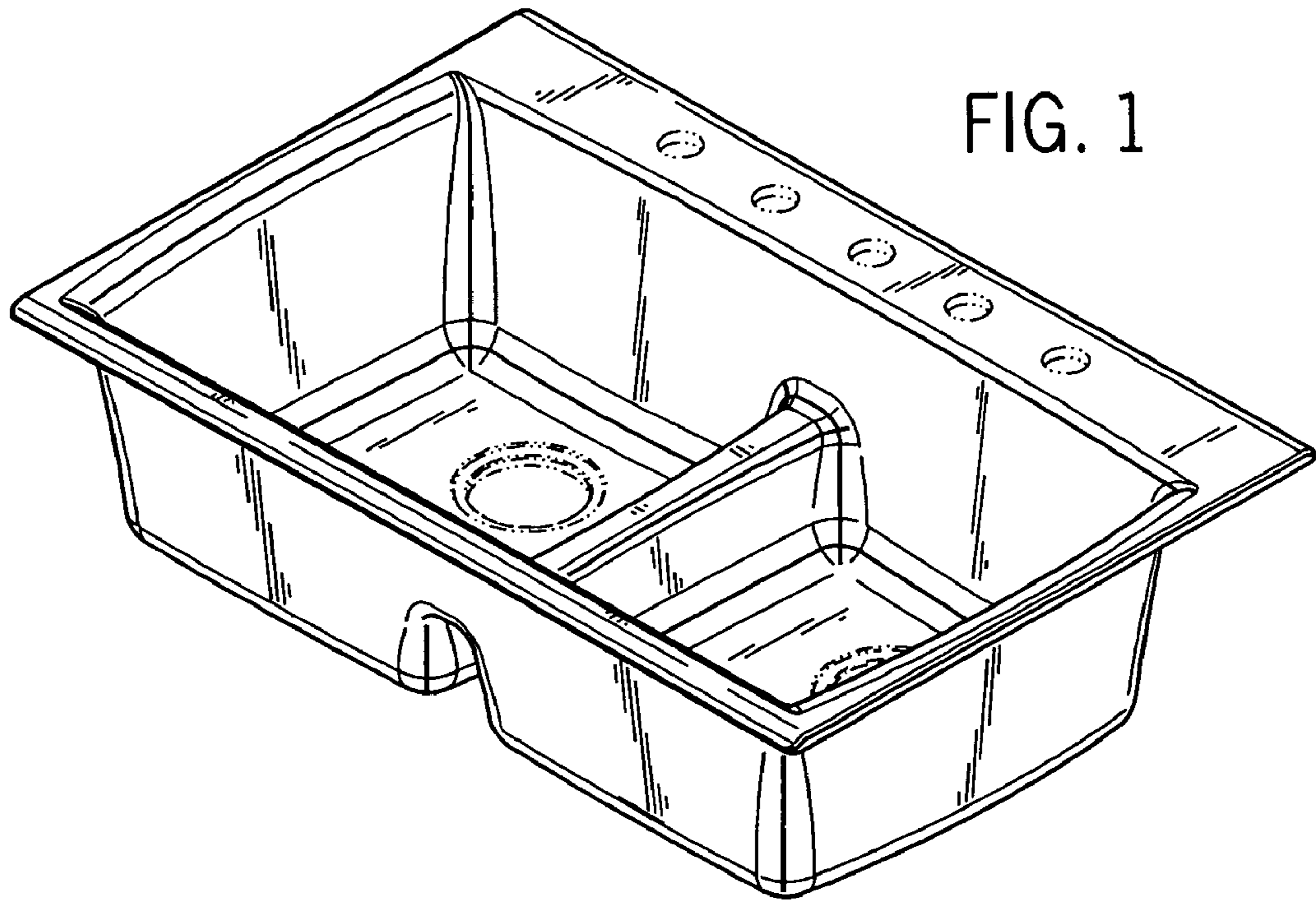


FIG. 2

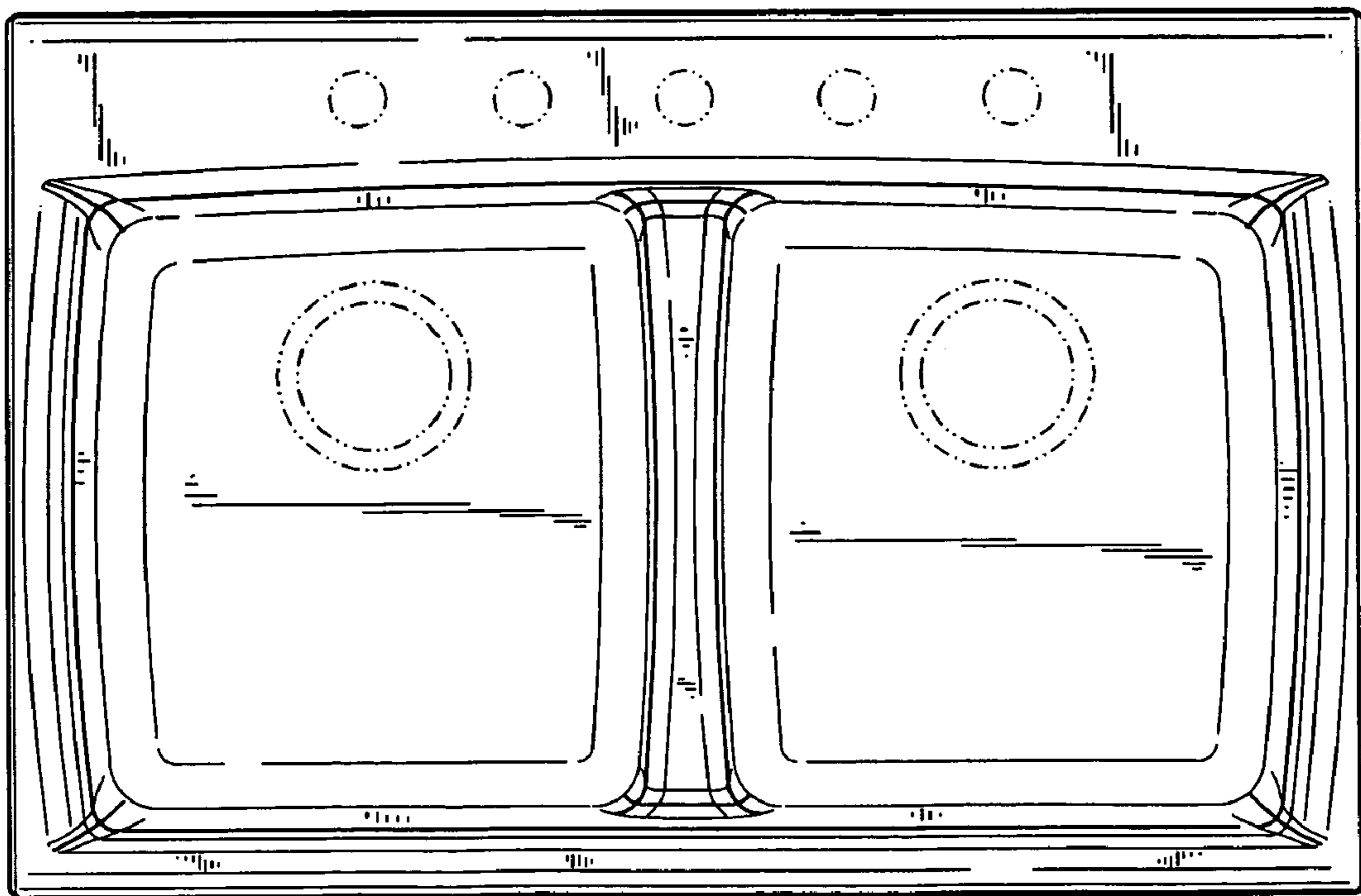


FIG. 3

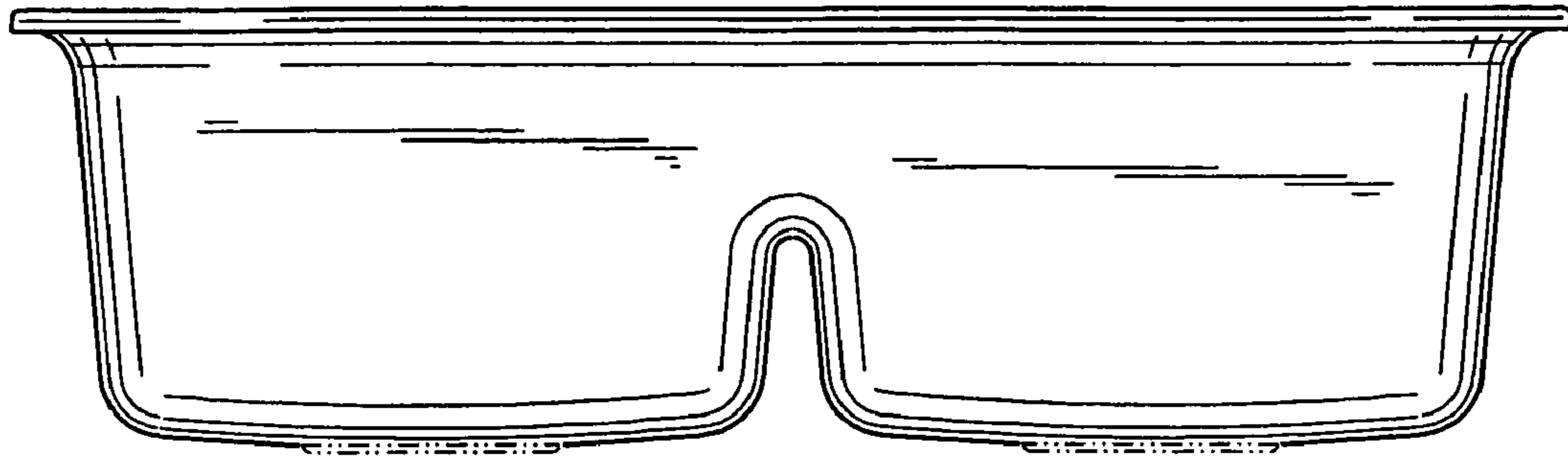


FIG. 4

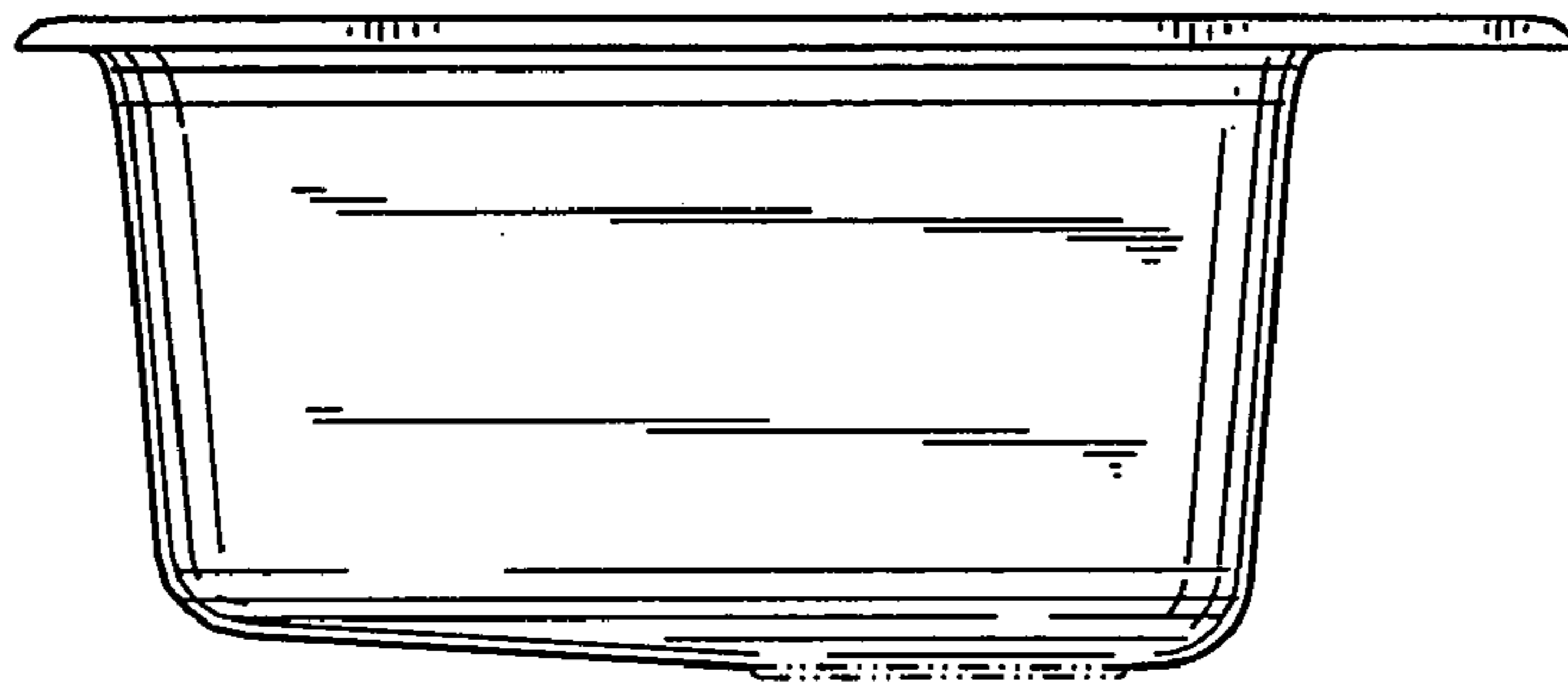


FIG. 5

