



US00D547832S

(12) **United States Design Patent**  
**Kohler, Jr. et al.**

(10) **Patent No.:** **US D547,832 S**  
(45) **Date of Patent:** **\*\* Jul. 31, 2007**

(54) **PLUMBING FIXTURE**

(75) Inventors: **Herbert V. Kohler, Jr.**, Kohler, WI (US); **Jeffrey A. Pipe**, Sheboygan, WI (US)

(73) Assignee: **Kohler Co.**, Kohler, WI (US)

(\*\*) Term: **14 Years**

(21) Appl. No.: **29/250,552**

(22) Filed: **Nov. 20, 2006**

**Related U.S. Application Data**

(62) Division of application No. 29/218,890, filed on Nov. 24, 2004, now Pat. No. Des. 532,495.

(51) **LOC (8) Cl.** ..... **23-02**

(52) **U.S. Cl.** ..... **D23/277**

(58) **Field of Classification Search** ..... D23/273, D23/276-277, 280.1-280.3, 303-306; D24/204-205; 4/538, 584  
See application file for complete search history.

(56) **References Cited**

**U.S. PATENT DOCUMENTS**

D278,844 S *	5/1985	Stairs, Jr. ....	D23/277
D318,323 S *	7/1991	Stairs, Jr. ....	D23/277
D331,622 S *	12/1992	Dannenberg ....	D23/277
D398,381 S *	9/1998	Singla Palacin ....	D23/277
D490,144 S *	5/2004	Lanius ....	D23/280.1

**OTHER PUBLICATIONS**

Kohler catalog p. 9.28, Baths, Proflex 6036 and Portrait 5'.  
American Standard catalog p. 6, Lexington and Spectra and Bildor.  
Ideal-Standard catalog p. 80, Tulip GL.

\* cited by examiner

*Primary Examiner*—Robert A. Delehanty

(74) *Attorney, Agent, or Firm*—Quarles & Brady LLP

(57) **CLAIM**

The ornamental design for a plumbing fixture, as shown and described.

**DESCRIPTION**

In a preferred embodiment, the nature of this product is as a plumbing fixture in the form of a bathing tub, primary useful for washing the human body, and/or an apron structure therefor.

FIG. 1 is a left, top, front perspective view of a plumbing fixture according to our new design;

FIG. 2 is a top plan view thereof;

FIG. 3 is a front plan view thereof without the apron environment;

FIG. 4 is a left side elevational view thereof;

FIG. 5 is a right side elevational view thereof;

FIG. 6 is a rear elevational view thereof; and,

FIG. 7 is a bottom plan view thereof.

The broken line representations of flanges, apron environment, a drain, wall structure, and holes are for the purpose of illustration only, and form no part of the claimed design.

**1 Claim, 3 Drawing Sheets**

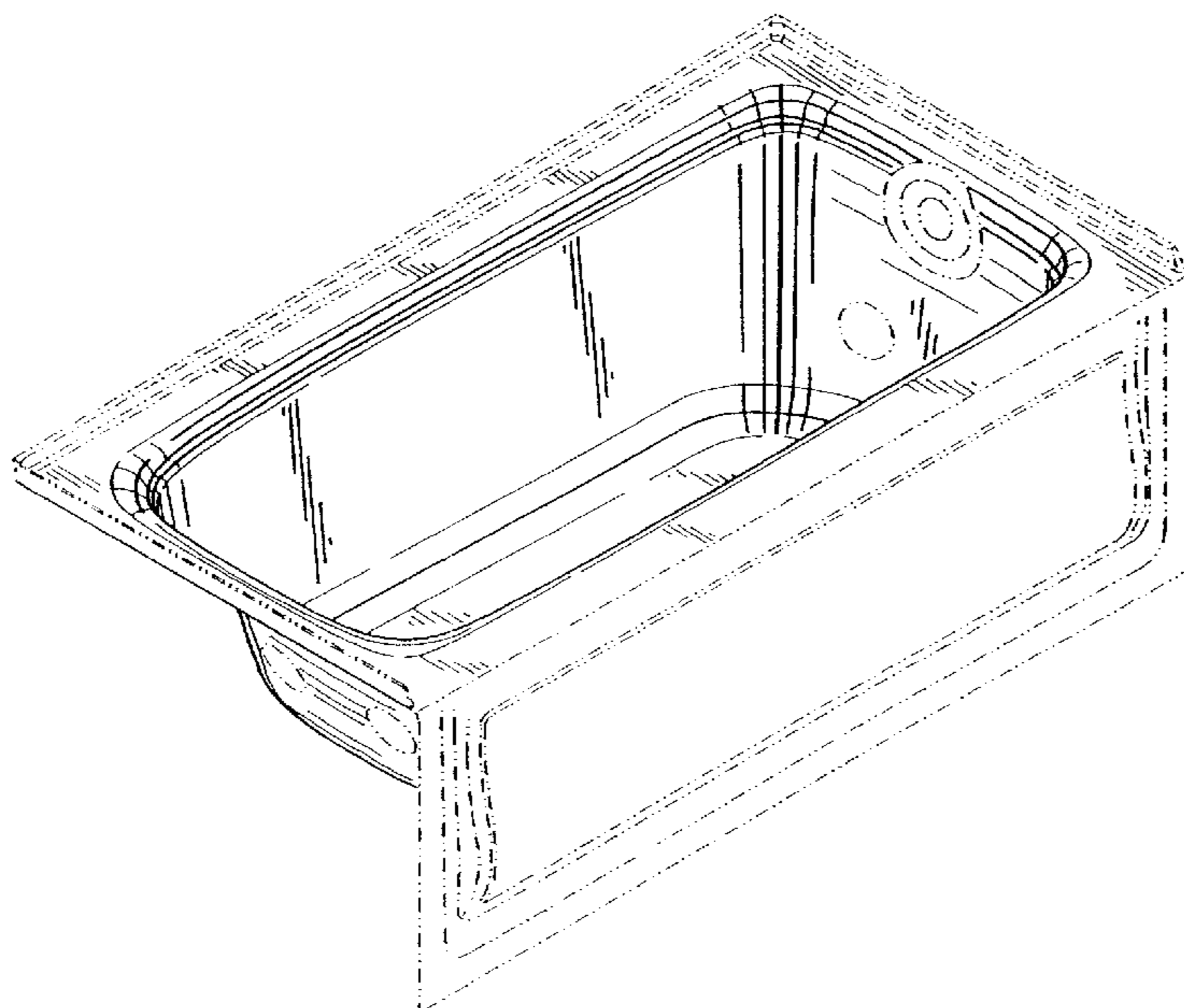


FIG. 1

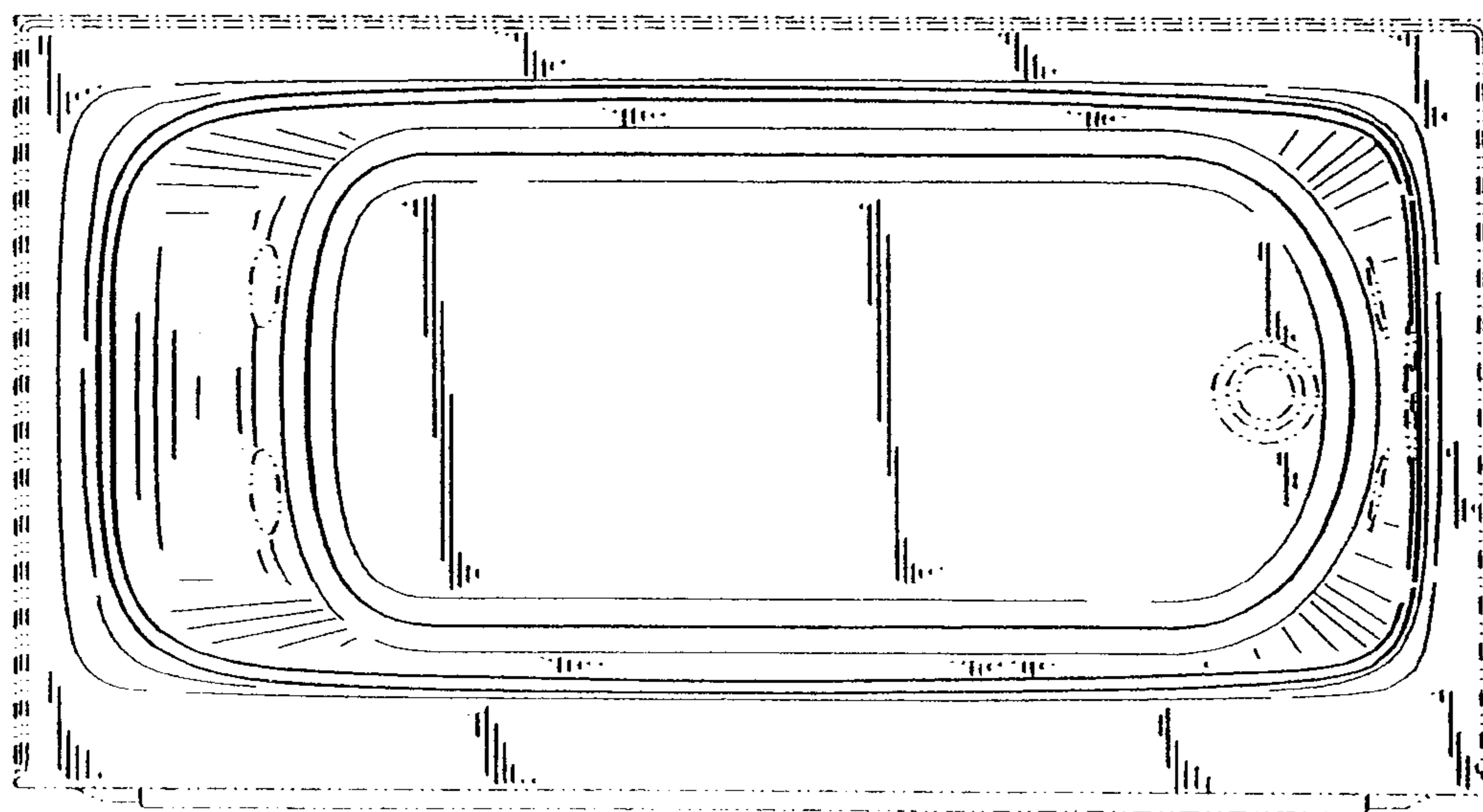
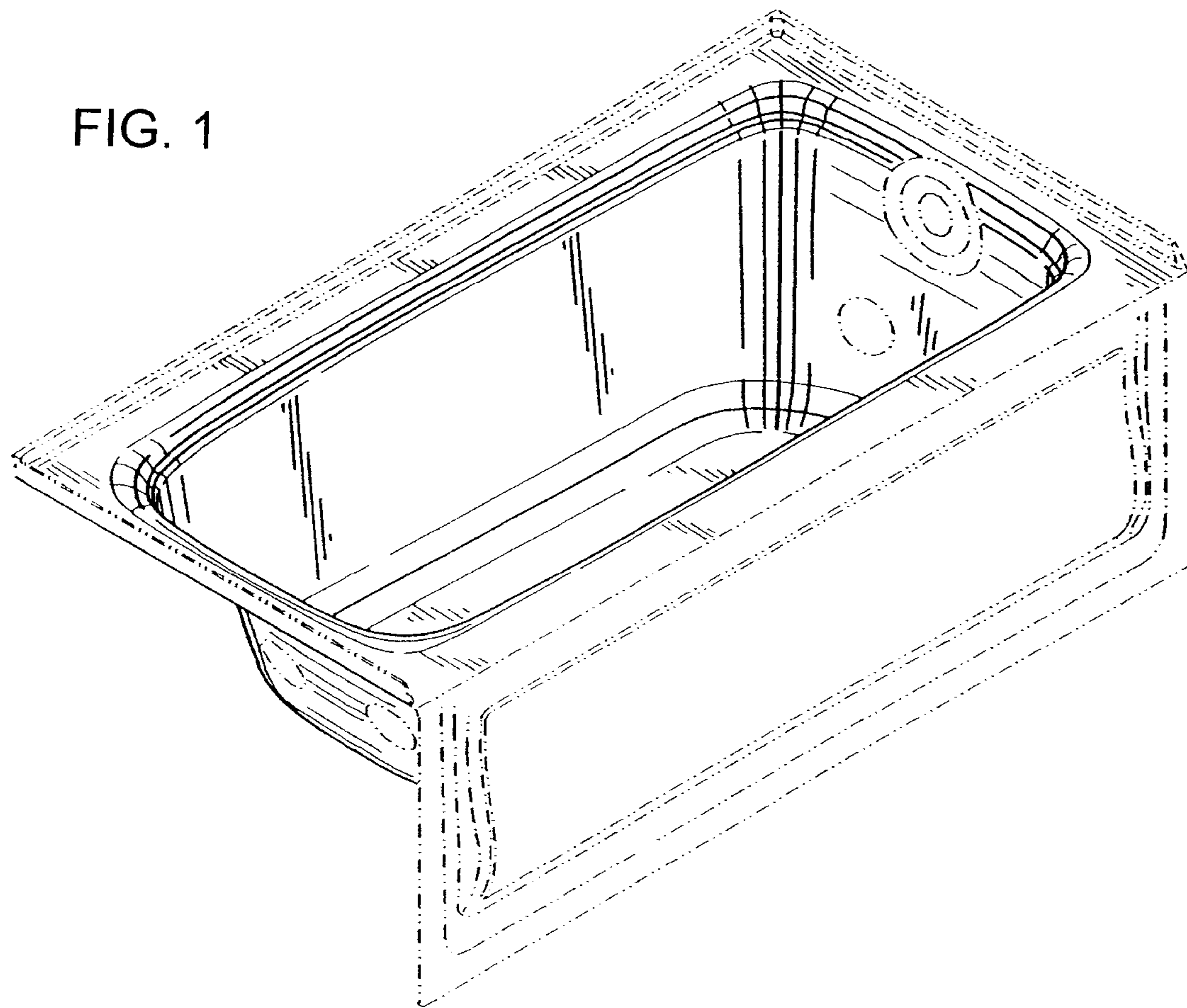


FIG. 2

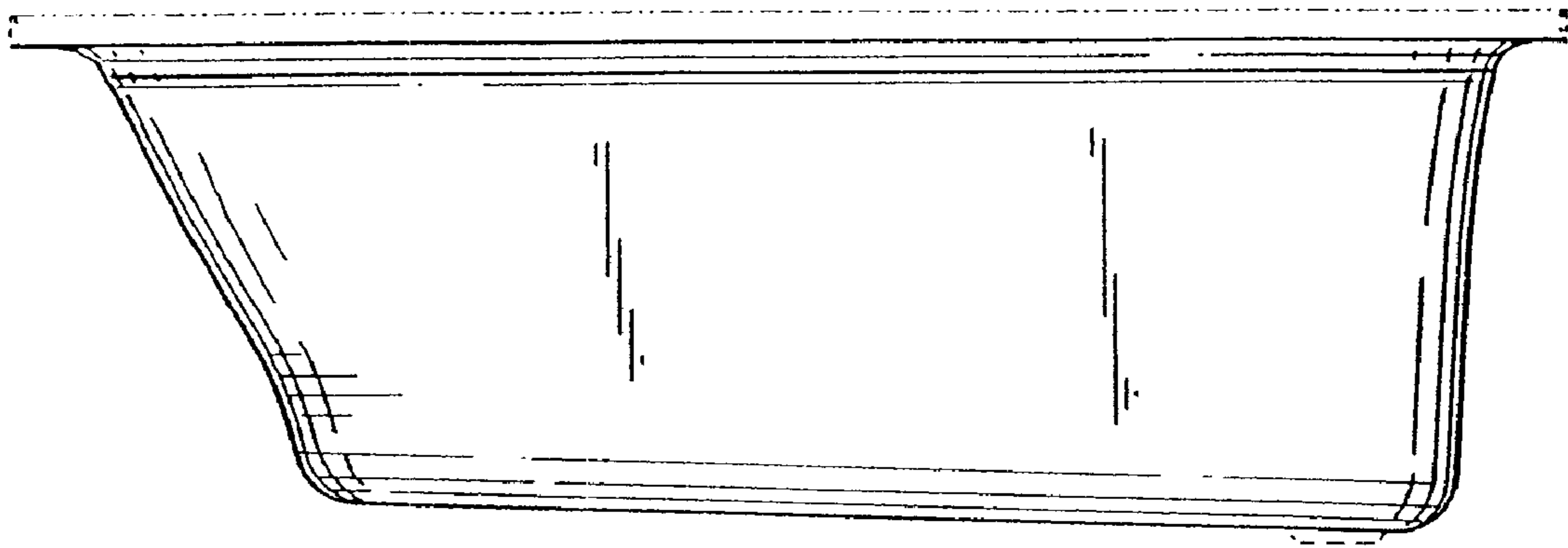


FIG. 3

FIG. 4

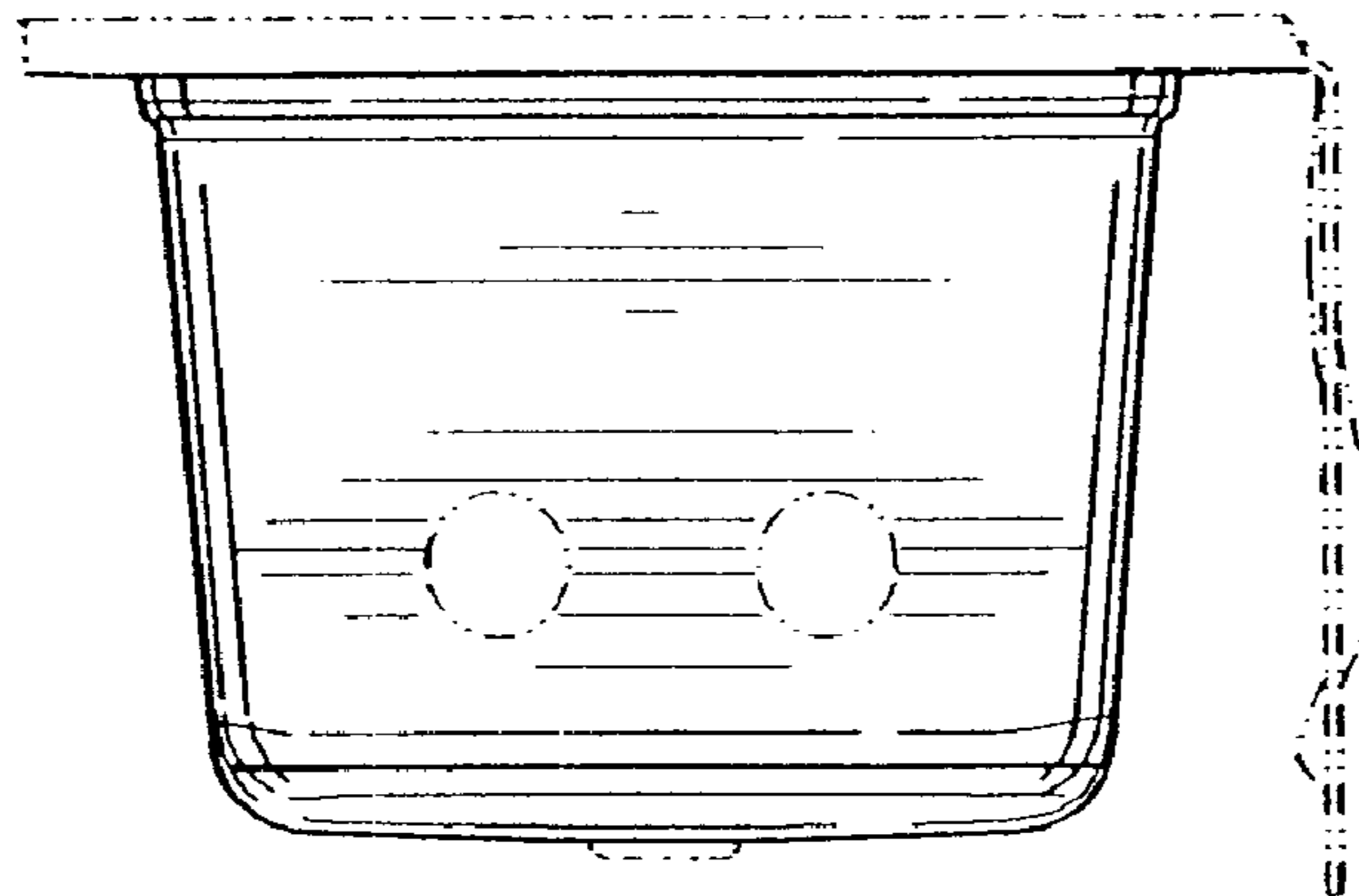
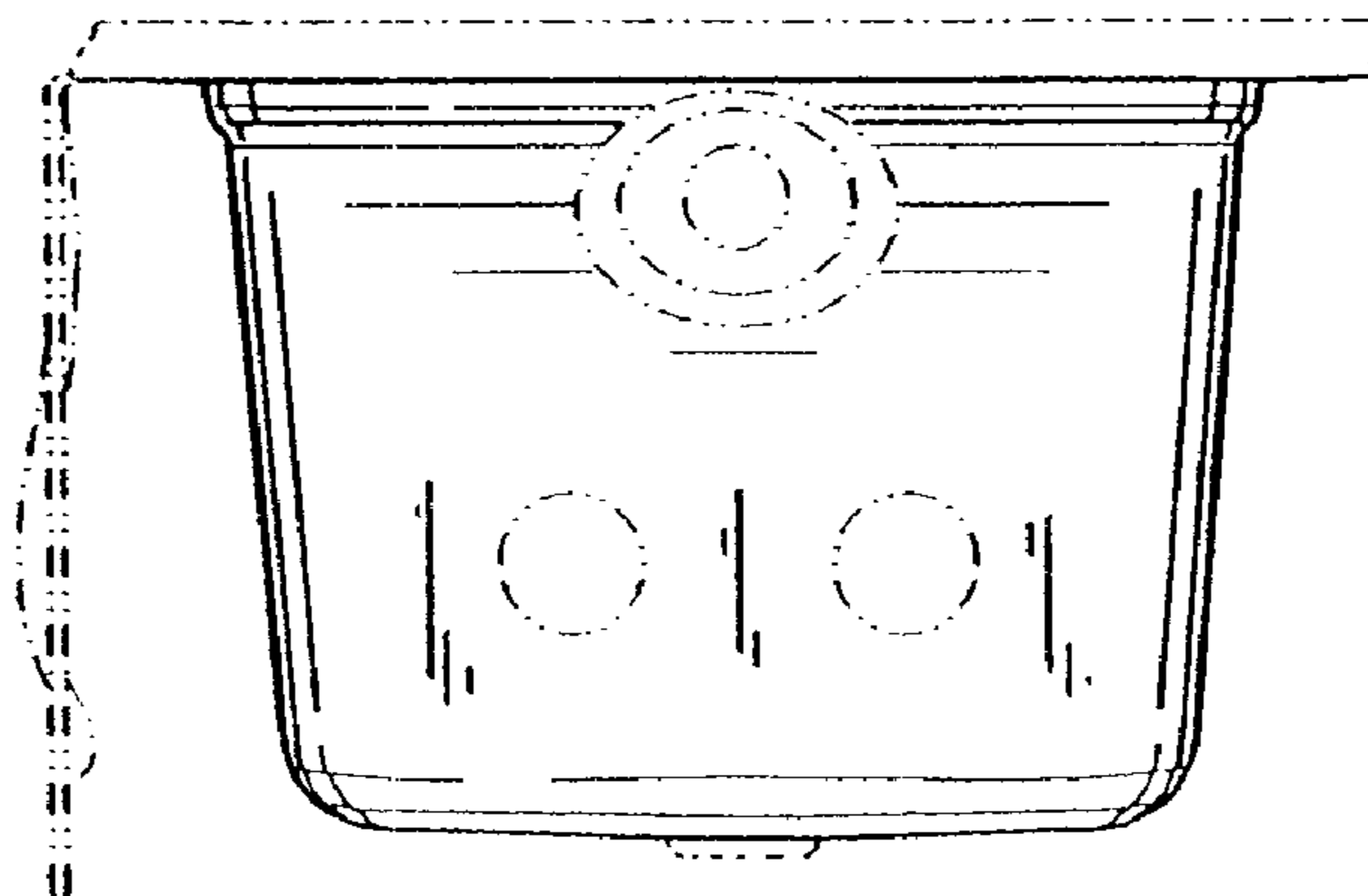


FIG. 5



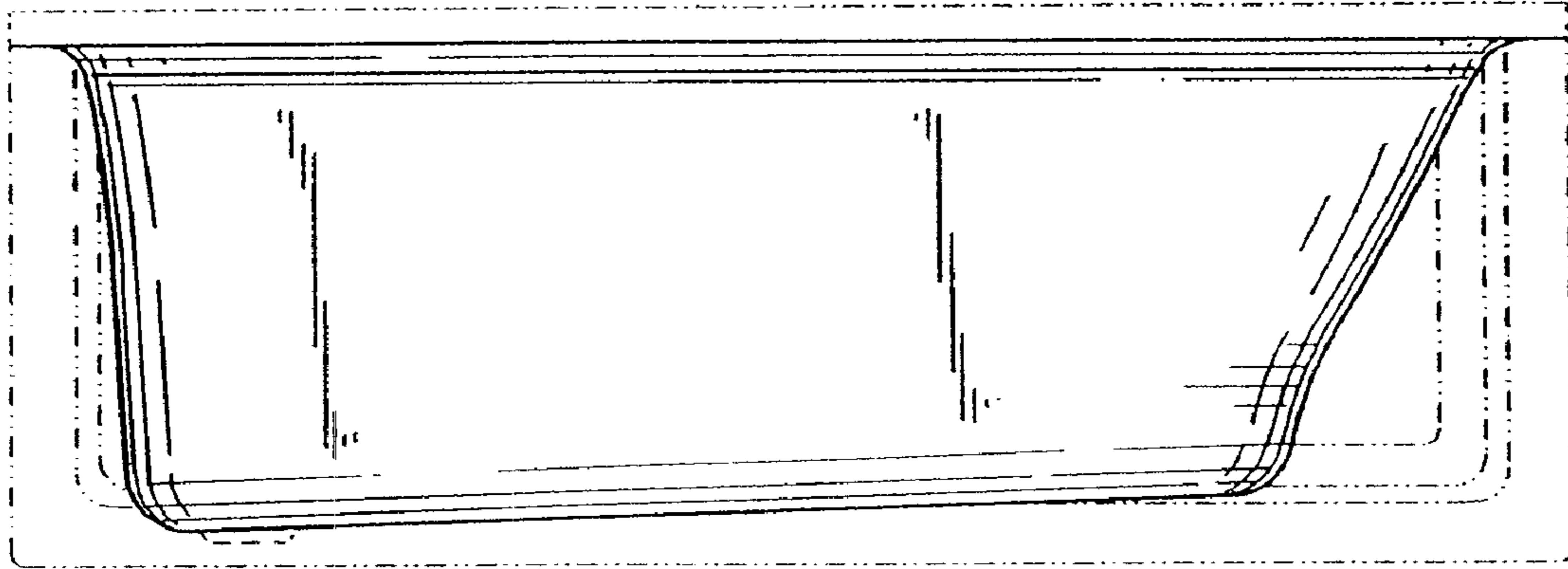


FIG. 6

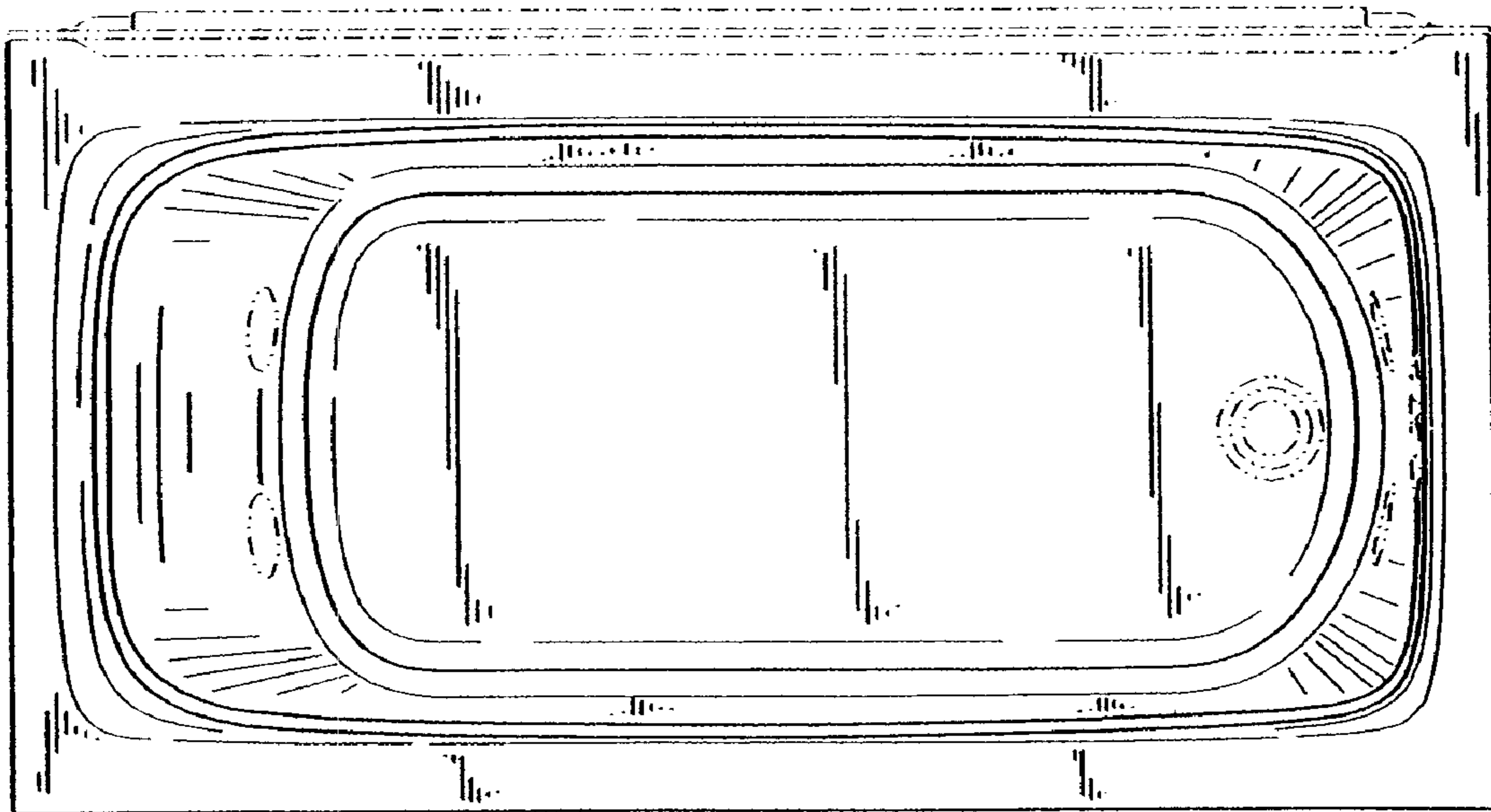


FIG. 7