



US00D547829S

(12) **United States Design Patent**
Huang

(10) **Patent No.:** **US D547,829 S**

(45) **Date of Patent:** **** Jul. 31, 2007**

(54) **SPRAY GUN BODY**

D523,111 S * 6/2006 Huang D23/226

(75) Inventor: **Tiao-Hsiang Huang**, Shin Chuang
(TW)

* cited by examiner

Primary Examiner—Robin Webster

(73) Assignee: **Kuan Chang Co., Ltd.**, Taipei County
(TW)

(74) *Attorney, Agent, or Firm*—Rosenberg, Klein & Lee

(**) Term: **14 Years**

(57) **CLAIM**

(21) Appl. No.: **29/236,754**

I claim, the ornamental design for a spray gun body, as shown and described.

(22) Filed: **Aug. 23, 2005**

DESCRIPTION

(51) **LOC (8) Cl.** **23-01**

FIG. 1 is a perspective view of a spray gun body showing my present design;

(52) **U.S. Cl.** **D23/226**

FIG. 2 is a front view thereof;

(58) **Field of Classification Search** D23/213,
D23/223, 225-6; 239/525-527, 302; 361/227-8
See application file for complete search history.

FIG. 3 is a rear view thereof;

FIG. 4 is a left view thereof;

(56) **References Cited**

FIG. 5 is a right view thereof;

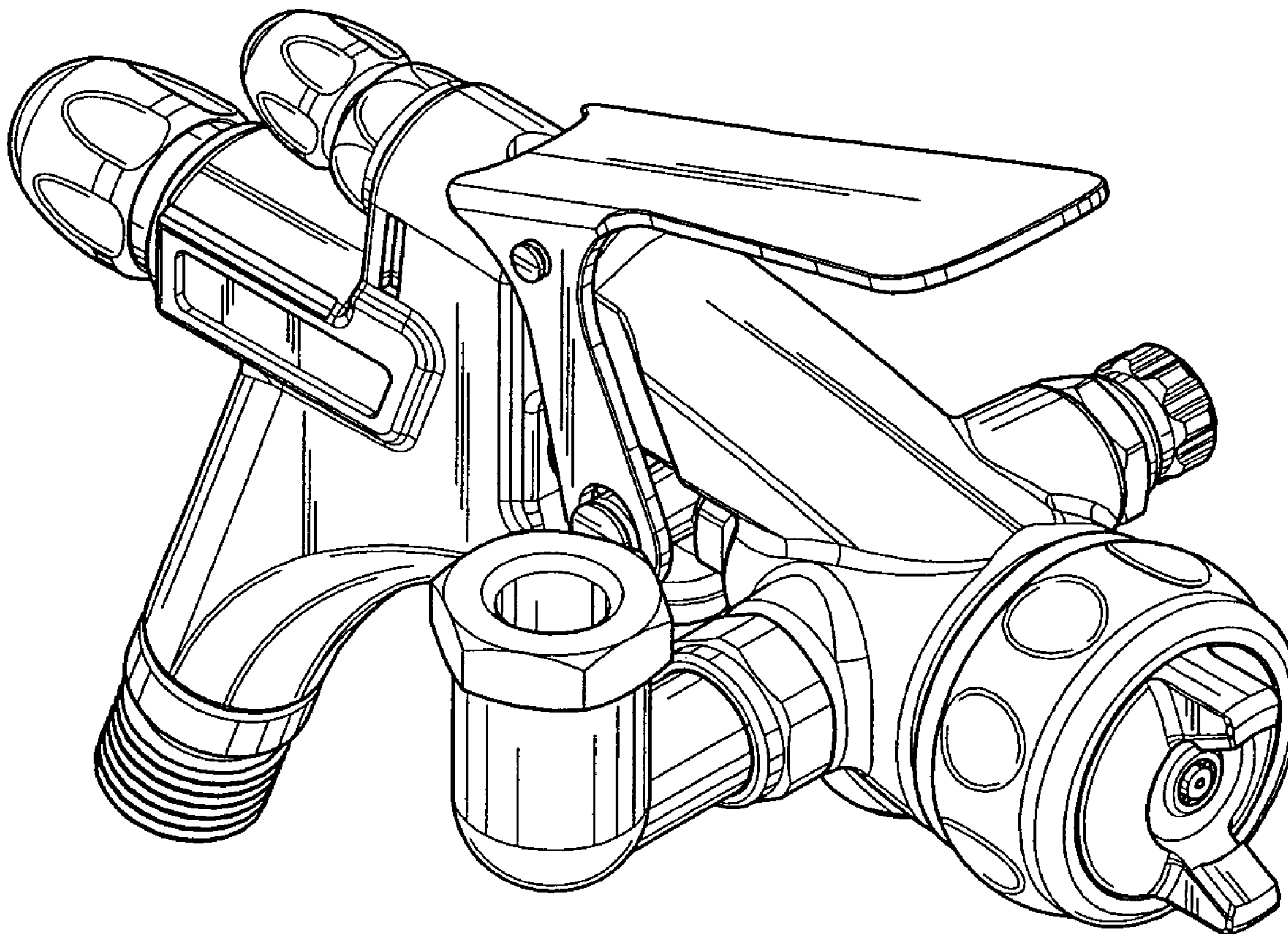
U.S. PATENT DOCUMENTS

FIG. 6 is a top plan view thereof; and,

FIG. 7 is a bottom plan view.

- D328,779 S * 8/1992 Albers et al. D23/225
- D358,197 S * 5/1995 Brite D23/225
- D457,599 S * 5/2002 Karwoski et al. D23/226

1 Claim, 7 Drawing Sheets



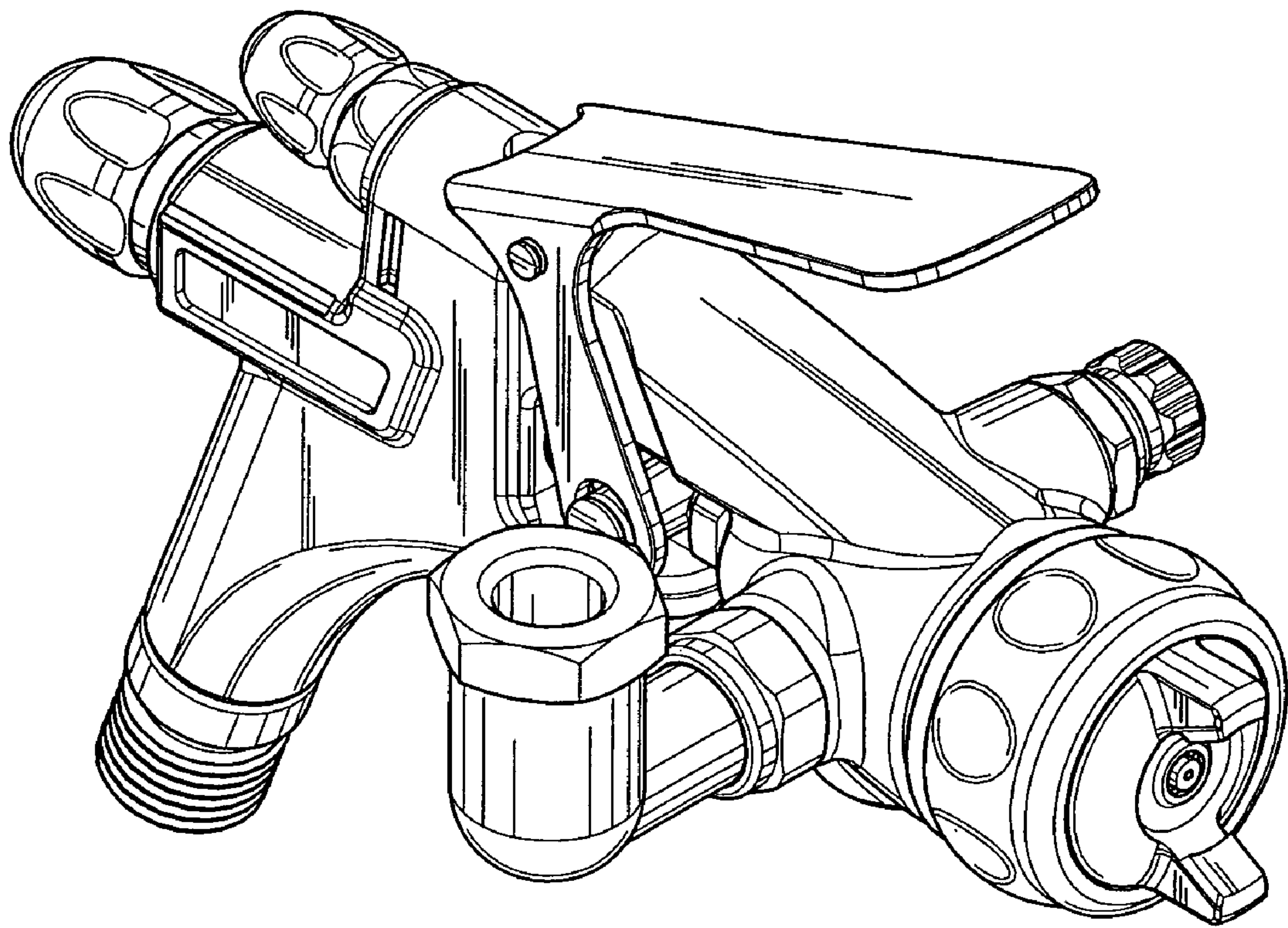


FIG. 1

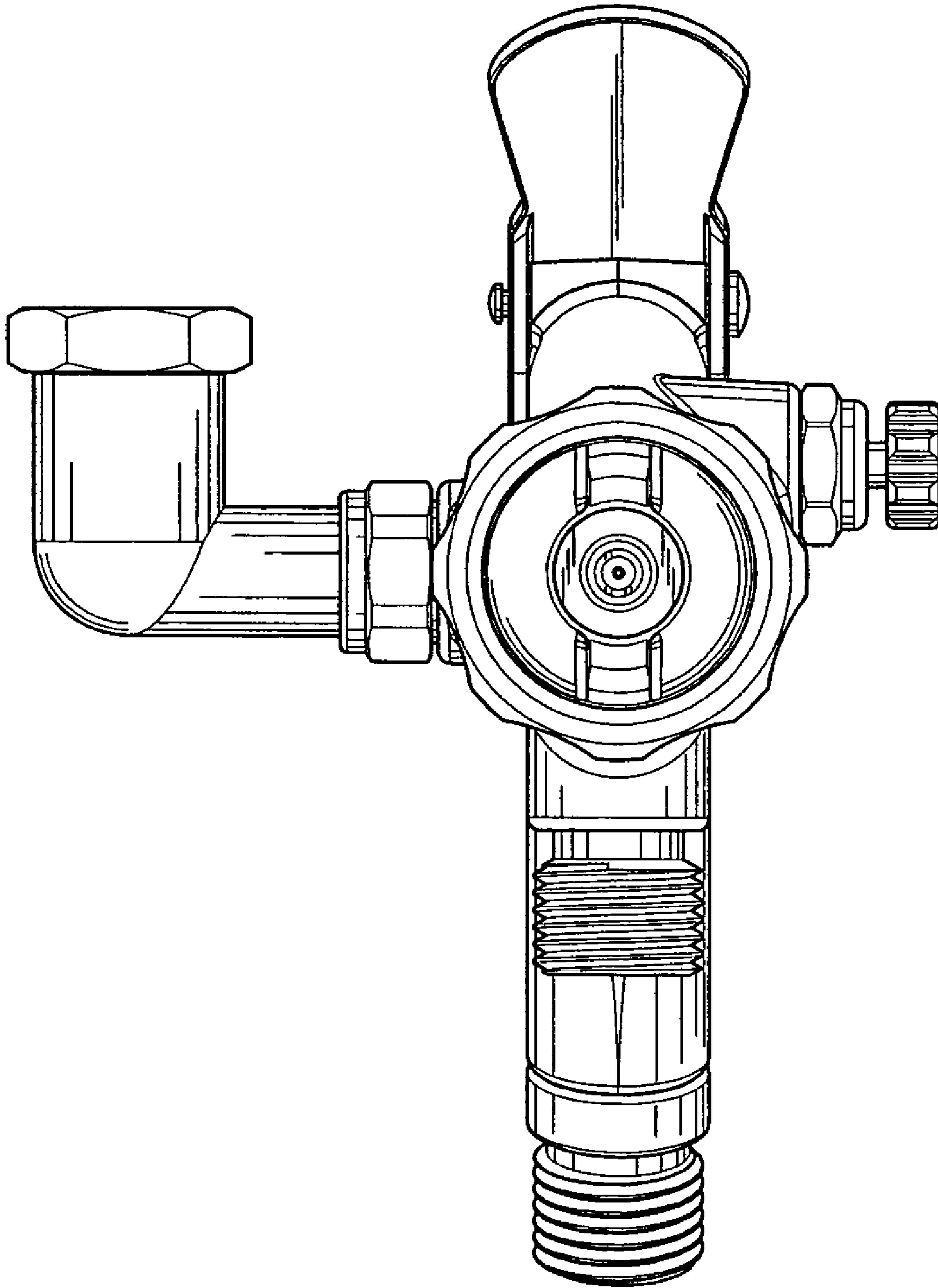


FIG. 2

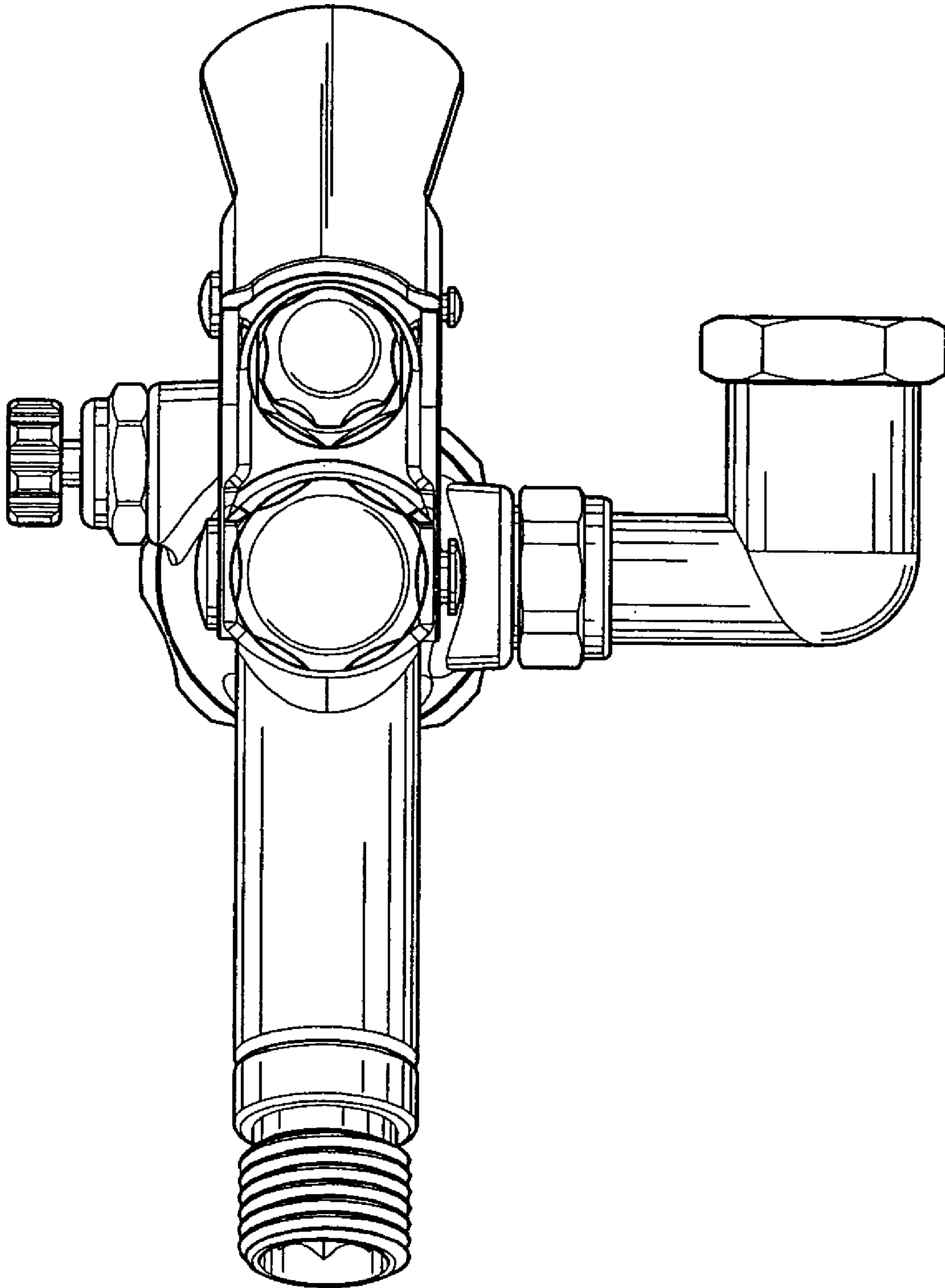


FIG. 3

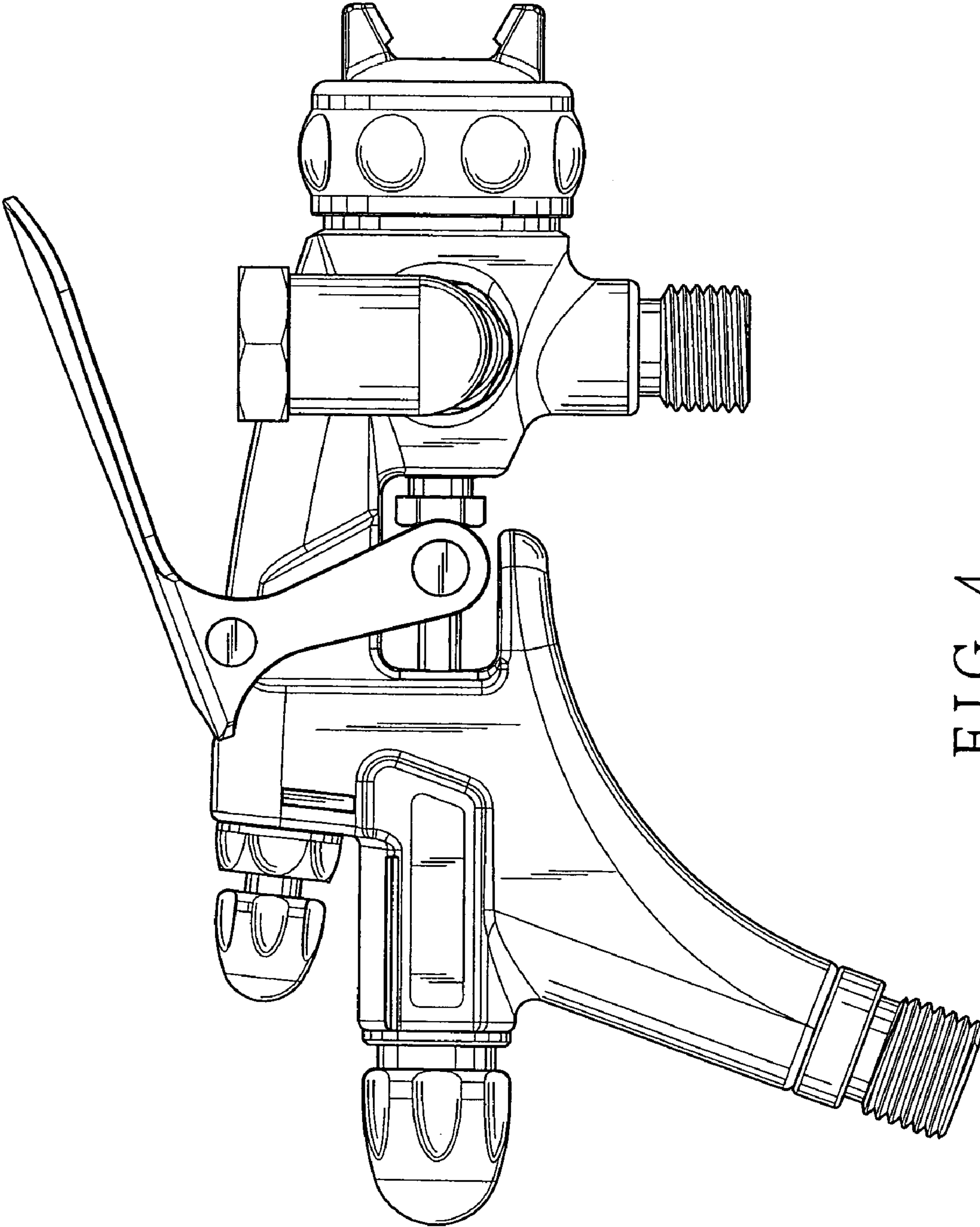


FIG. 4

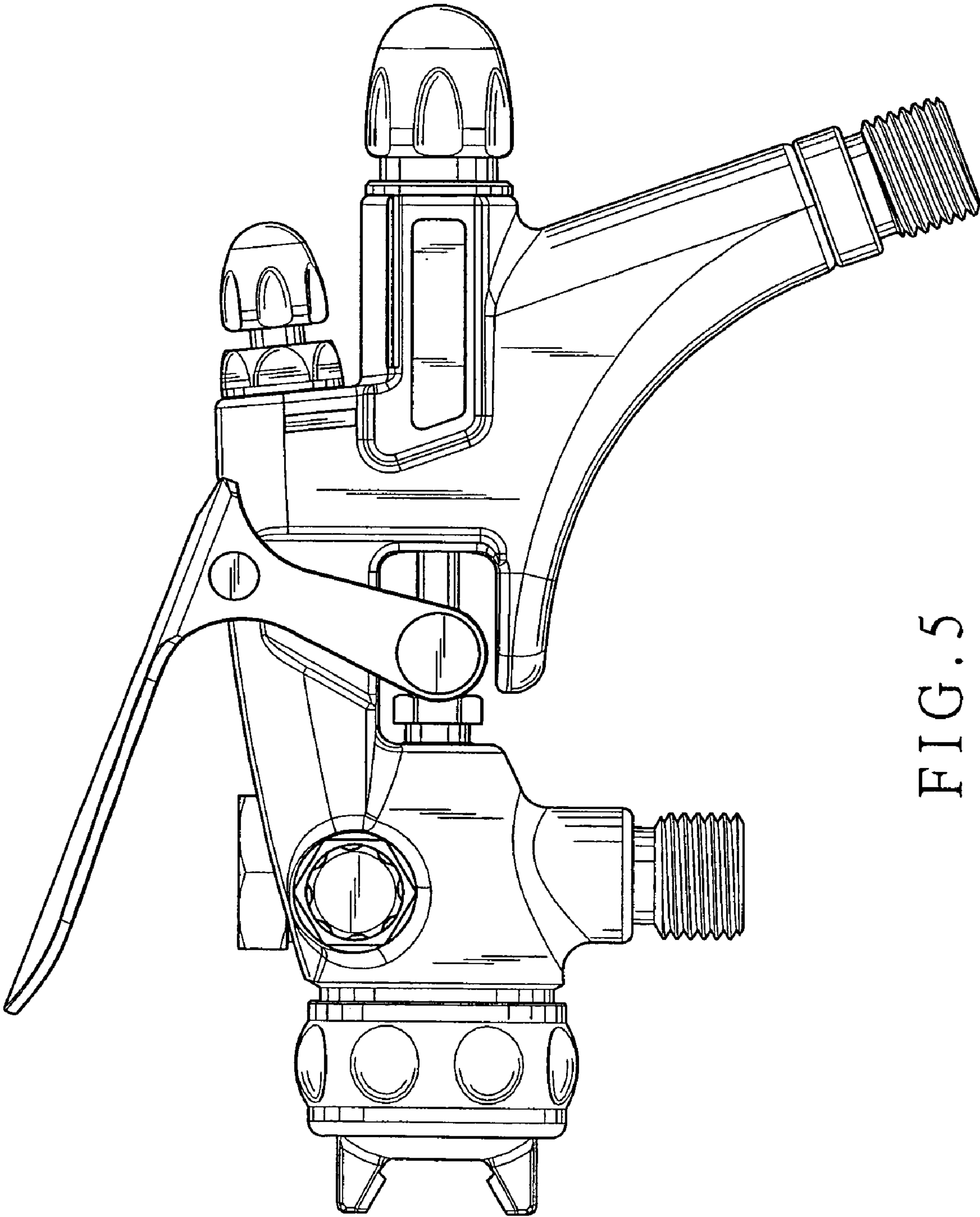


FIG. 5

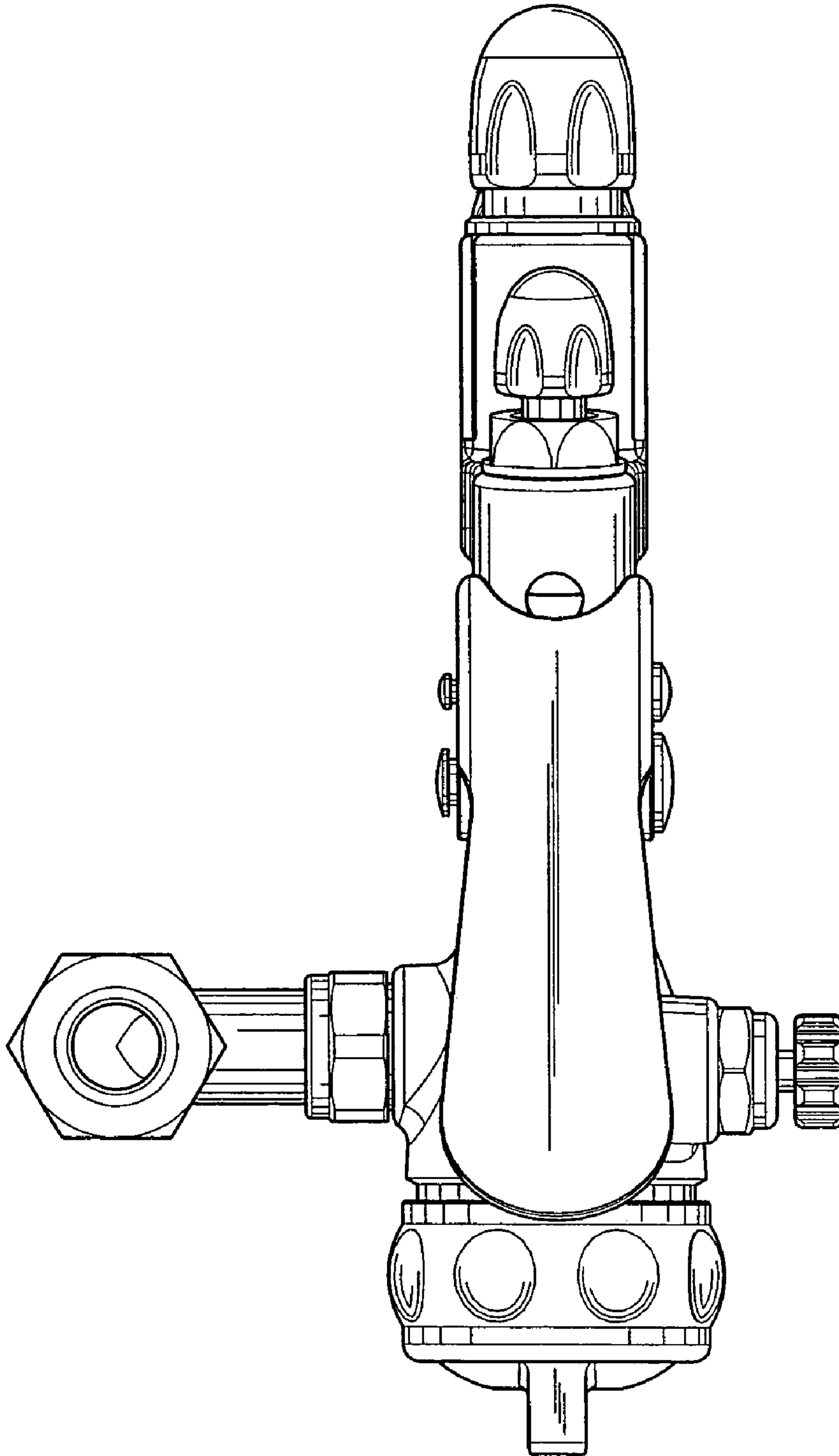


FIG. 6

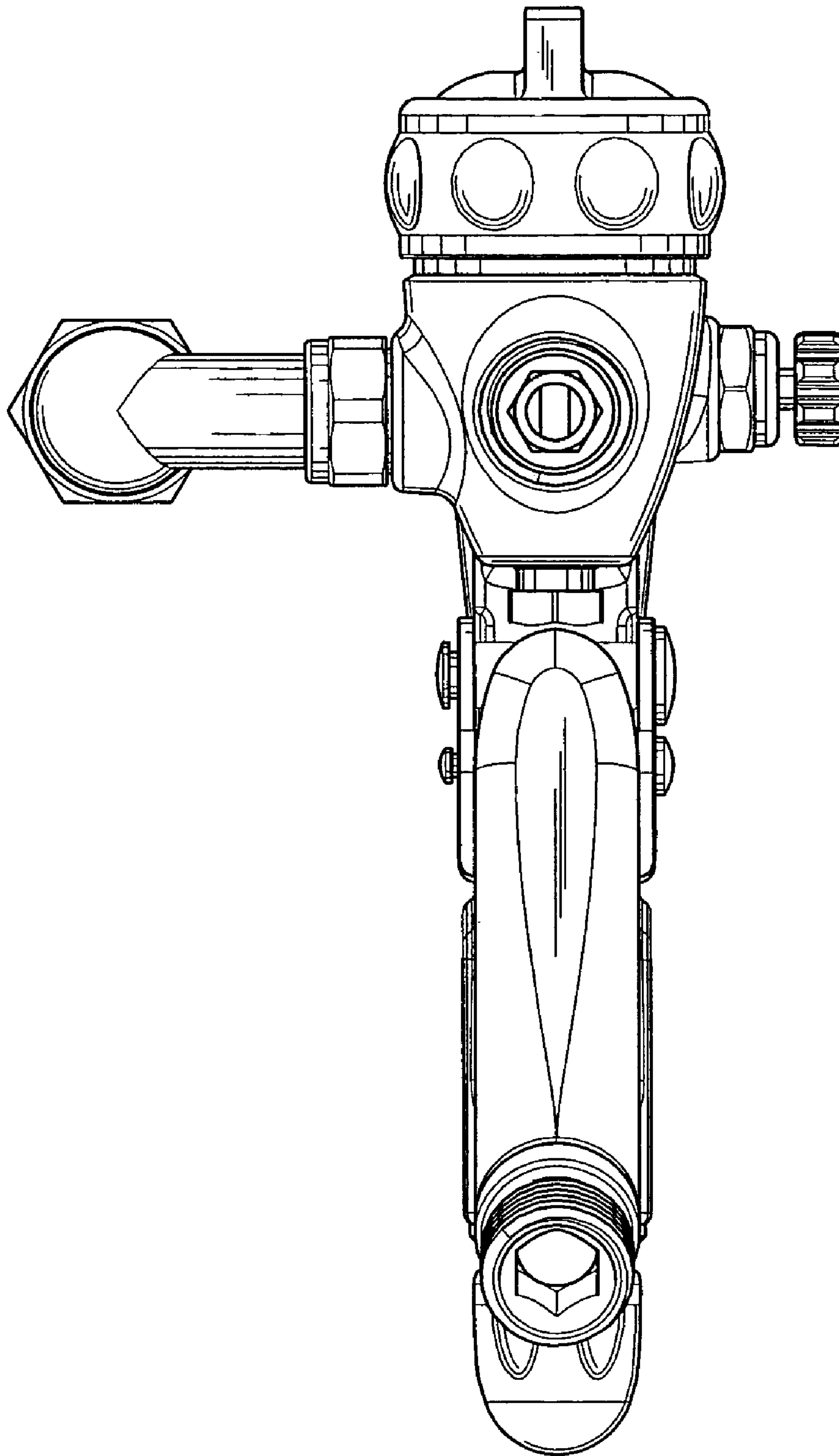


FIG. 7