



US00D547828S

(12) **United States Design Patent**  
**Huang**

(10) **Patent No.:** **US D547,828 S**

(45) **Date of Patent:** **\*\* Jul. 31, 2007**

(54) **SPRAY GUN BODY**

D523,111 S \* 6/2006 Huang ..... D23/226

(75) Inventor: **Tiao-Hsiang Huang**, Shin Chuang  
(TW)

\* cited by examiner

*Primary Examiner*—Robin Webster

(73) Assignee: **Kuan Chang Co., Ltd.**, Taipei Hsien  
(TW)

(74) *Attorney, Agent, or Firm*—Rosenberg, Klein & Lee

(\*\*) Term: **14 Years**

(57) **CLAIM**

(21) Appl. No.: **29/236,751**

I claim, the ornamental design for a spray gun body, as shown and described.

(22) Filed: **Aug. 23, 2005**

**DESCRIPTION**

(51) **LOC (8) Cl.** ..... **23-01**

FIG. 1 is a perspective view of a spray gun body showing my present design;

(52) **U.S. Cl.** ..... **D23/226**

FIG. 2 is a front view thereof;

(58) **Field of Classification Search** ..... D23/213,  
D23/223, 225-6; 239/525-527, 302; 361/227-8  
See application file for complete search history.

FIG. 3 is a rear view thereof;

FIG. 4 is a left view thereof;

(56) **References Cited**

**U.S. PATENT DOCUMENTS**

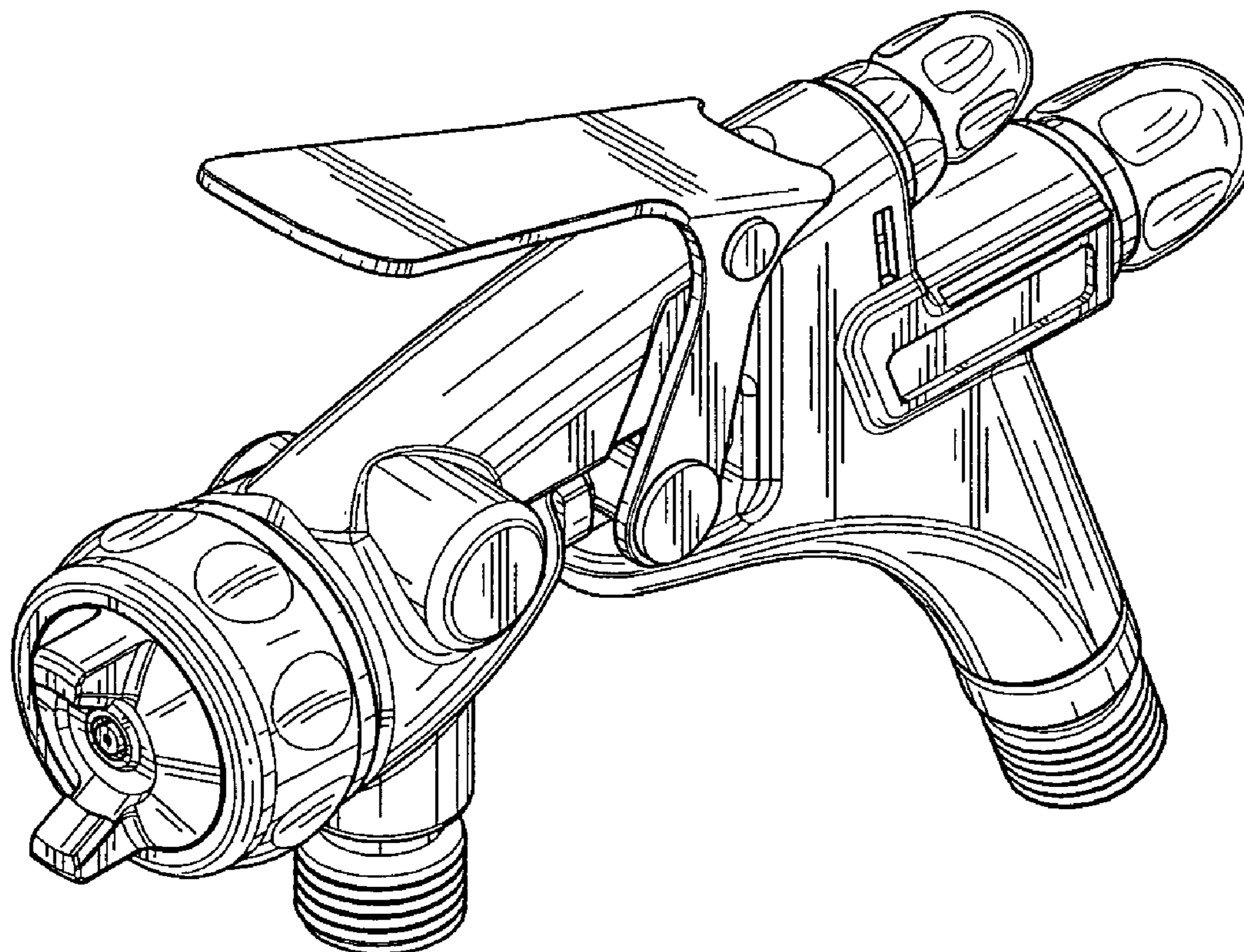
- D328,779 S \* 8/1992 Albers et al. .... D23/225
- D358,197 S \* 5/1995 Brite ..... D23/225
- D457,599 S \* 5/2002 Karwoski et al. .... D23/226

FIG. 5 is a right view thereof;

FIG. 6 is a top plan view thereof; and,

FIG. 7 is a bottom plan view.

**1 Claim, 7 Drawing Sheets**



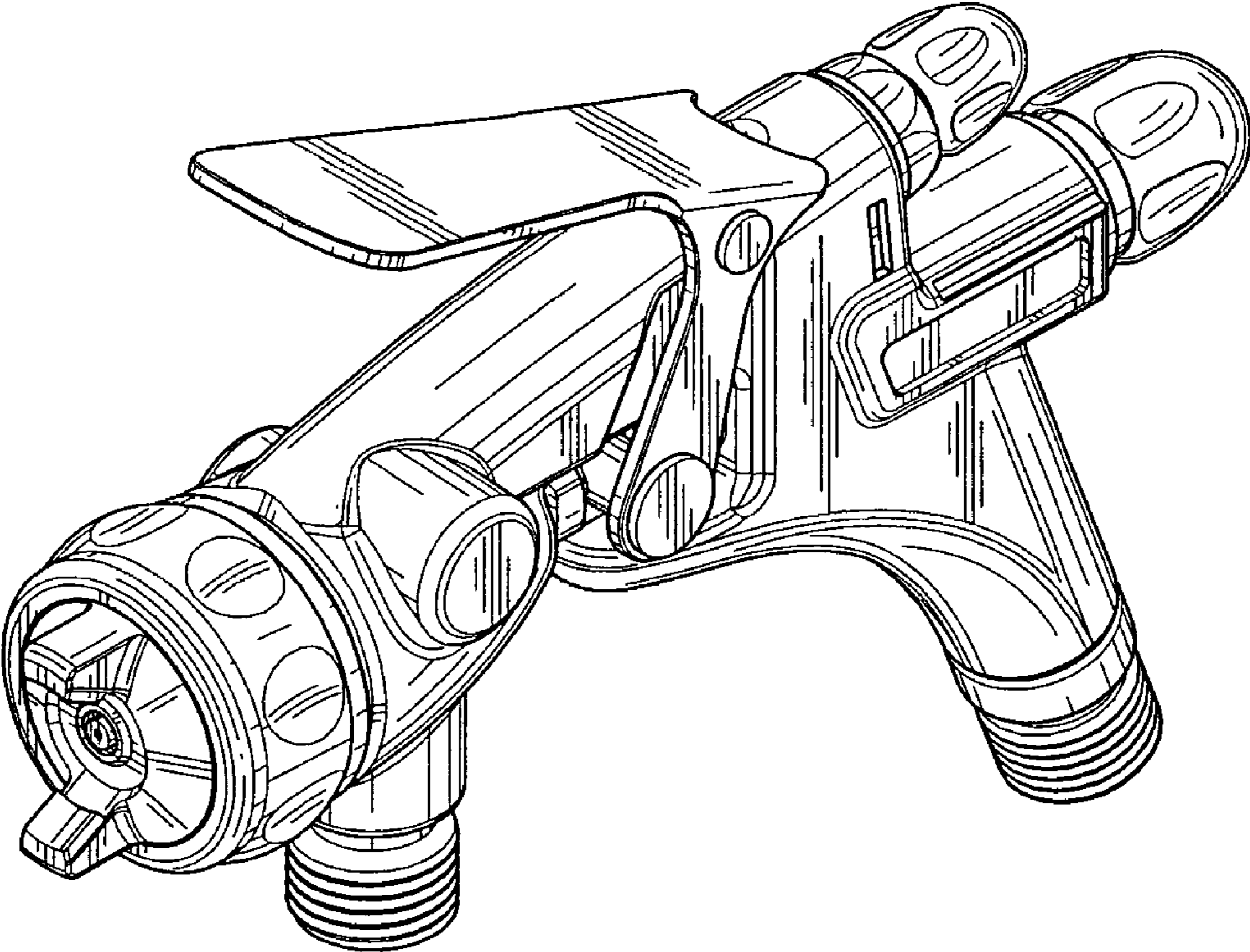


FIG. 1

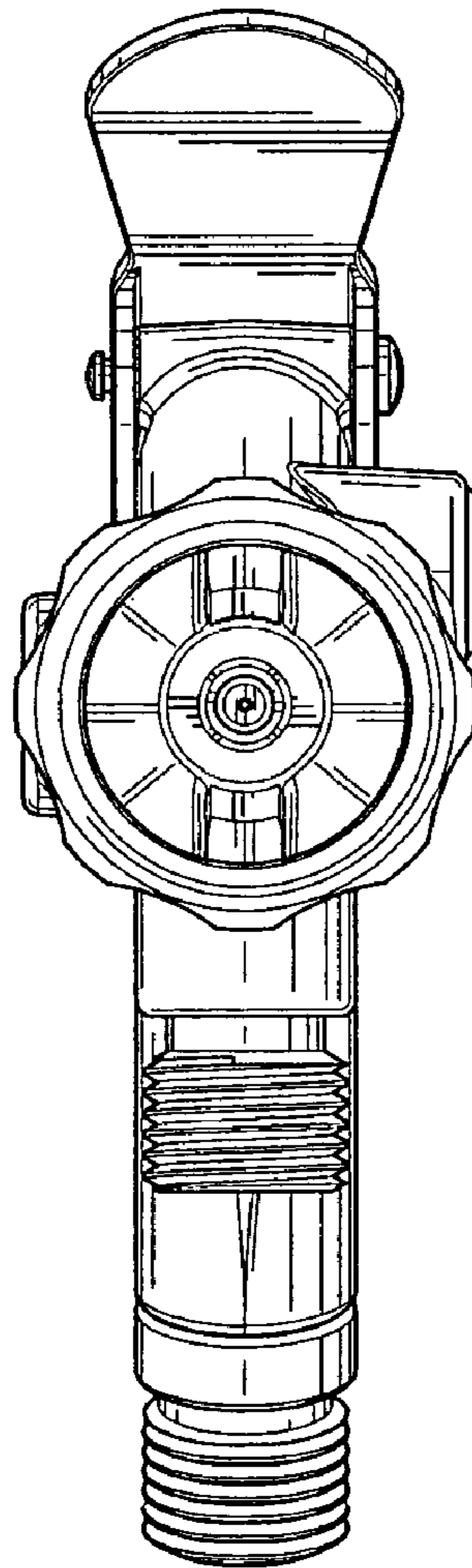


FIG. 2

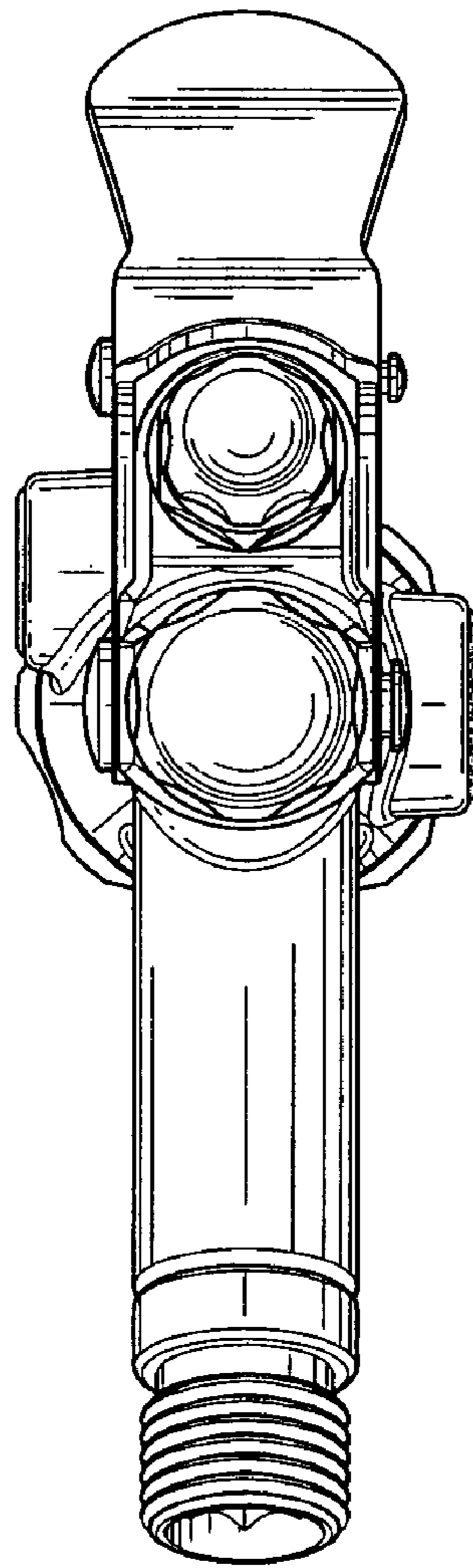


FIG. 3

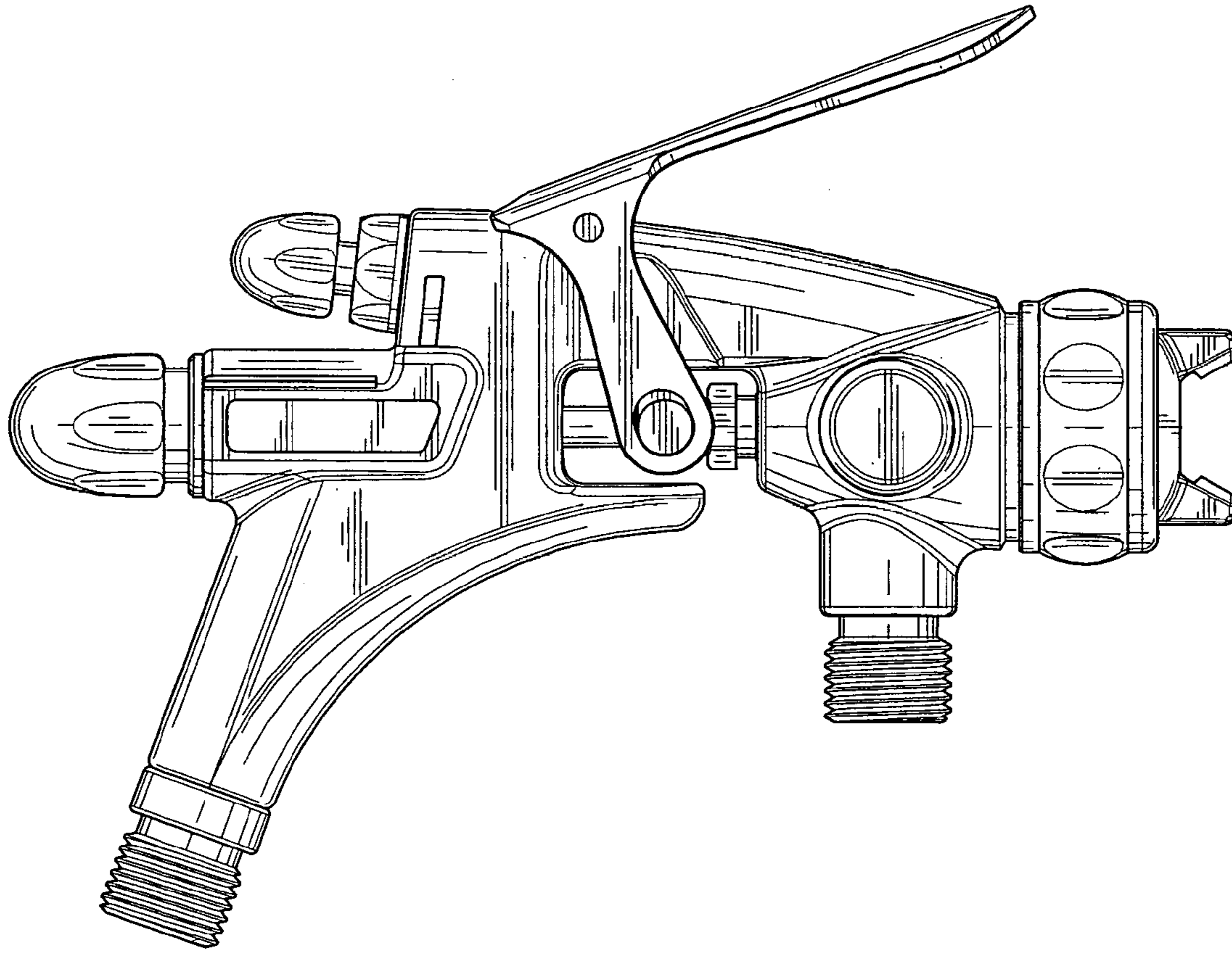


FIG . 4

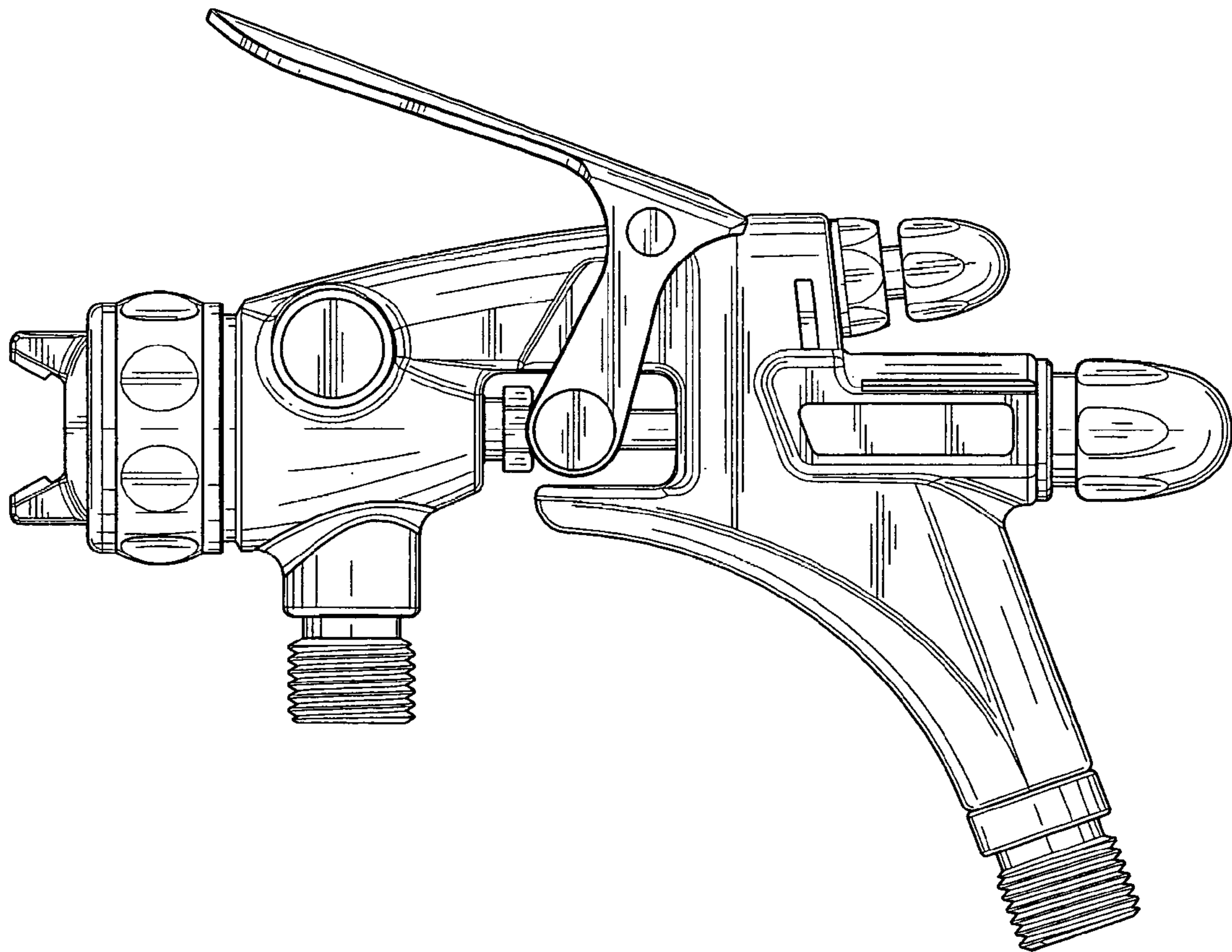


FIG. 5

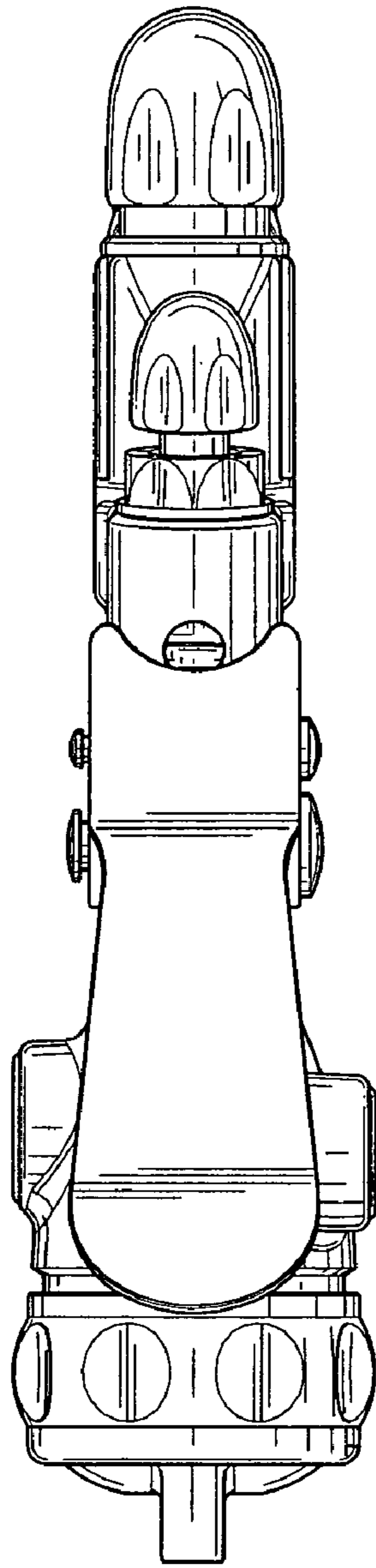


FIG. 6

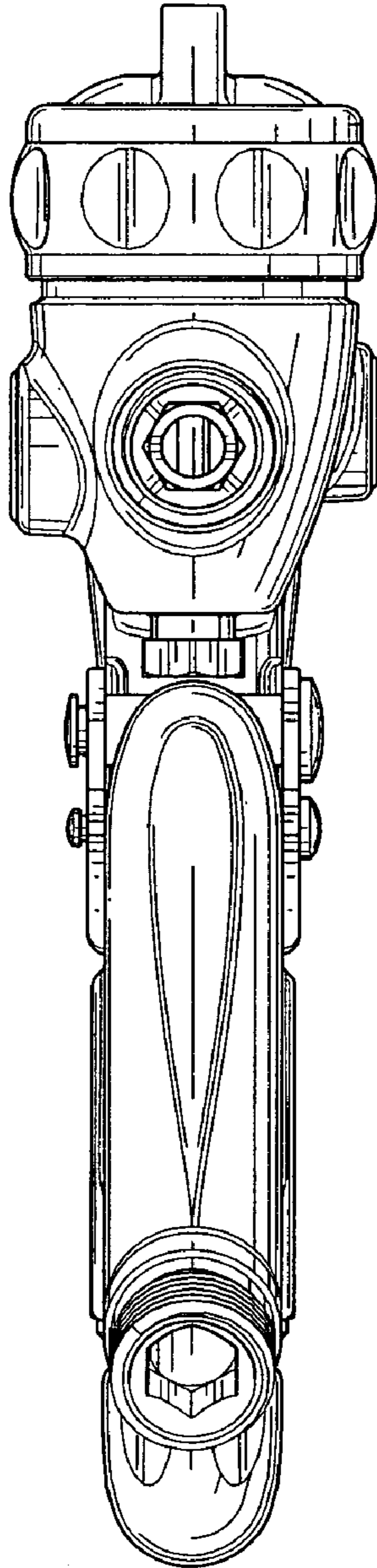


FIG. 7