



US00D547826S

(12) **United States Design Patent**  
**Kennedy et al.**

(10) **Patent No.:** **US D547,826 S**  
(45) **Date of Patent:** **\*\* Jul. 31, 2007**

(54) **FILTER SYSTEM**

6,740,235 B2 \* 5/2004 Gill ..... 210/238

(75) Inventors: **Gregory Kennedy**, Maplewood, MN (US); **Christine Fletcher**, Elk River, MN (US); **Chaouki Khamis**, Edina, MN (US)

\* cited by examiner

*Primary Examiner*—Robin Webster  
(74) *Attorney, Agent, or Firm*—Patzik, Frank & Samotny Ltd.

(73) Assignee: **EcoWater Systems LLC**, Woodbury, MN (US)

(57) **CLAIM**

The ornamental design for a filter system, as shown and described.

(\*\*) Term: **14 Years**

(21) Appl. No.: **29/252,779**

**DESCRIPTION**

(22) Filed: **Jan. 27, 2006**

FIG. 1 is a perspective view of a filter system showing the new ornamental design, the portions shown in broken lines forming no part of the design sought to be patented;

(51) **LOC (8) Cl.** ..... **23-01**

(52) **U.S. Cl.** ..... **D23/209**

(58) **Field of Classification Search** ..... D23/207, D23/209; 210/340-1, 249, 321.88  
See application file for complete search history.

FIG. 2 is a front view thereof, the portions shown in broken lines forming no part of the design sought to be patented;

FIG. 3 is a back view thereof, the portions shown in broken lines forming no part of the design sought to be patented;

(56) **References Cited**

**U.S. PATENT DOCUMENTS**

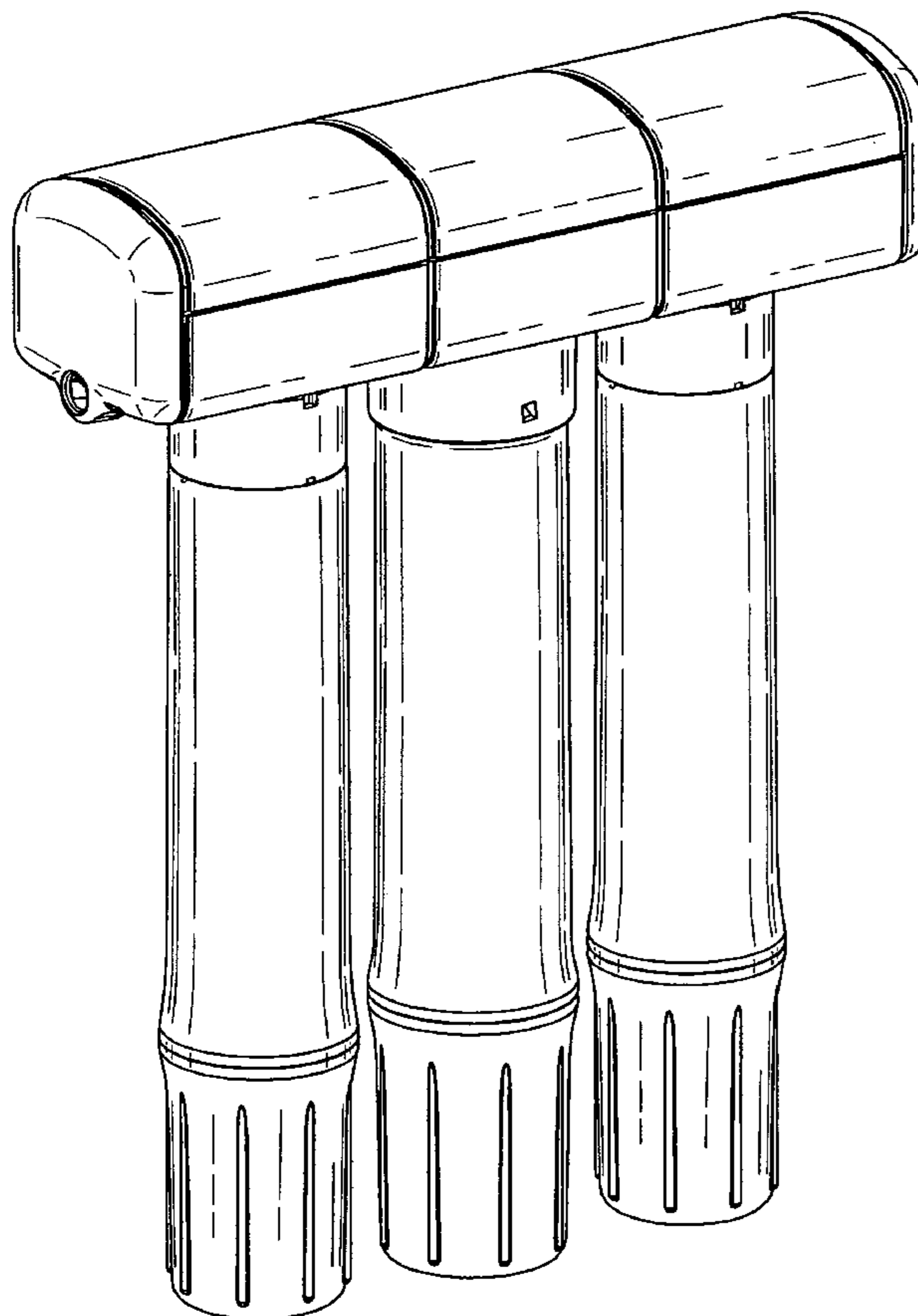
3,598,243	A *	8/1971	Gutkowski	.....	210/340
D306,754	S *	3/1990	Petrucci et al.	.....	D23/209
5,045,197	A *	9/1991	Burrows	.....	210/321.78
5,122,265	A *	6/1992	Mora et al.	.....	210/134
D407,462	S *	3/1999	Bishop et al.	.....	D23/207
D454,615	S *	3/2002	Neal	.....	D23/209

FIG. 4 is a left side elevational view thereof, the left and right views being a mirror image, and the portions shown in broken lines forming no part of the design sought to be patented;

FIG. 5 is a top plan view thereof; and,

FIG. 6 is a bottom plan view thereof.

**1 Claim, 4 Drawing Sheets**



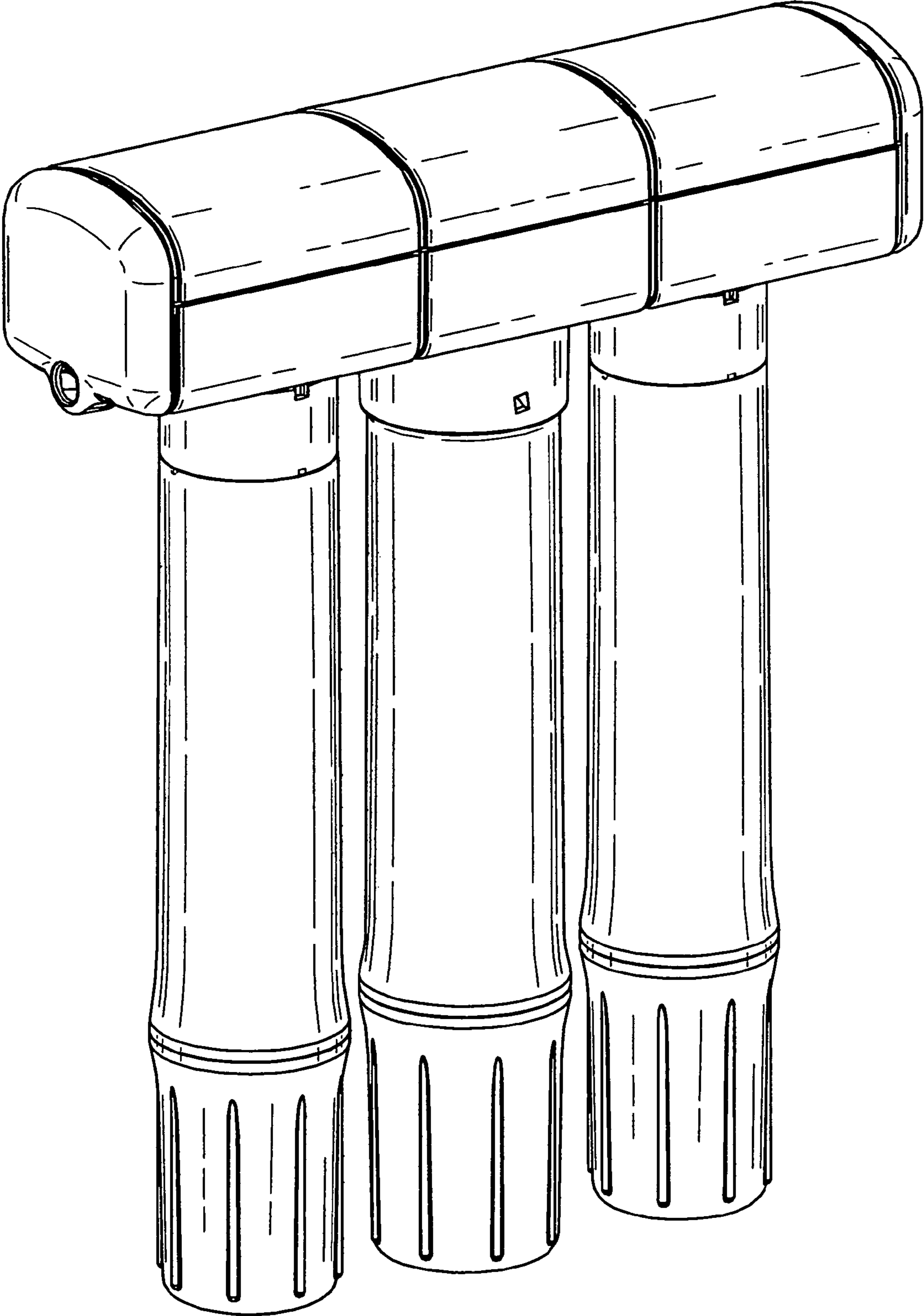


FIG. 1

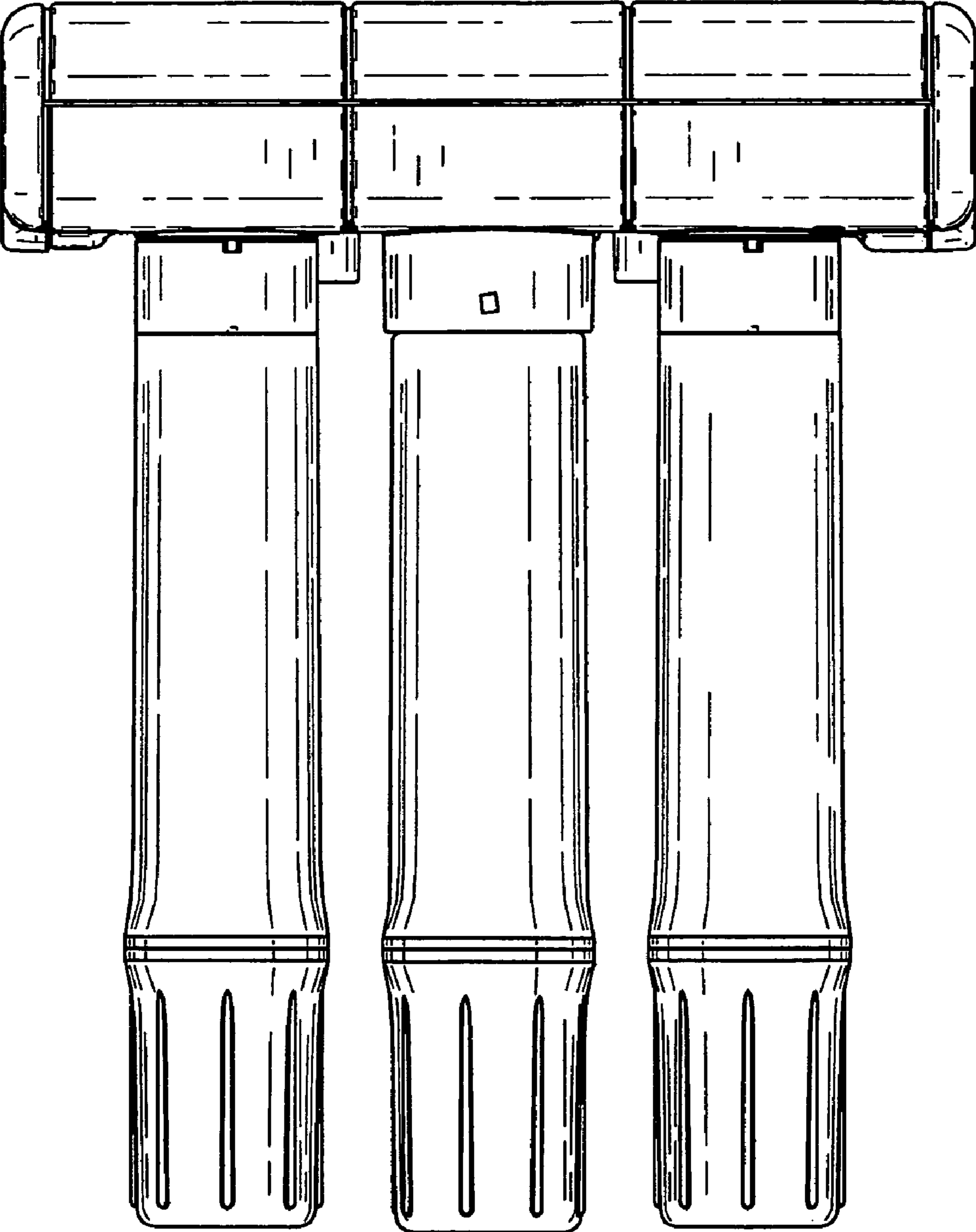


FIG. 2

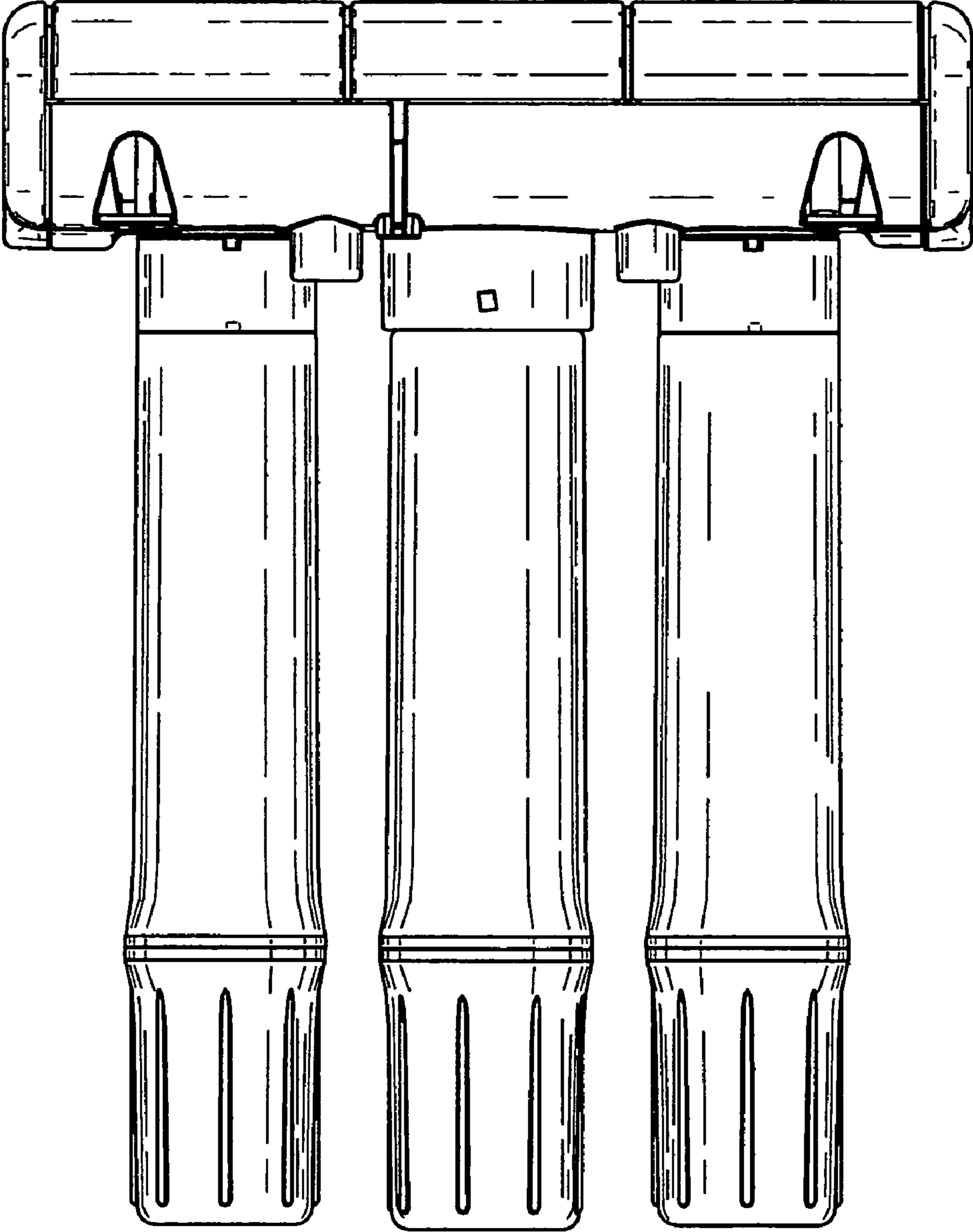


FIG. 3

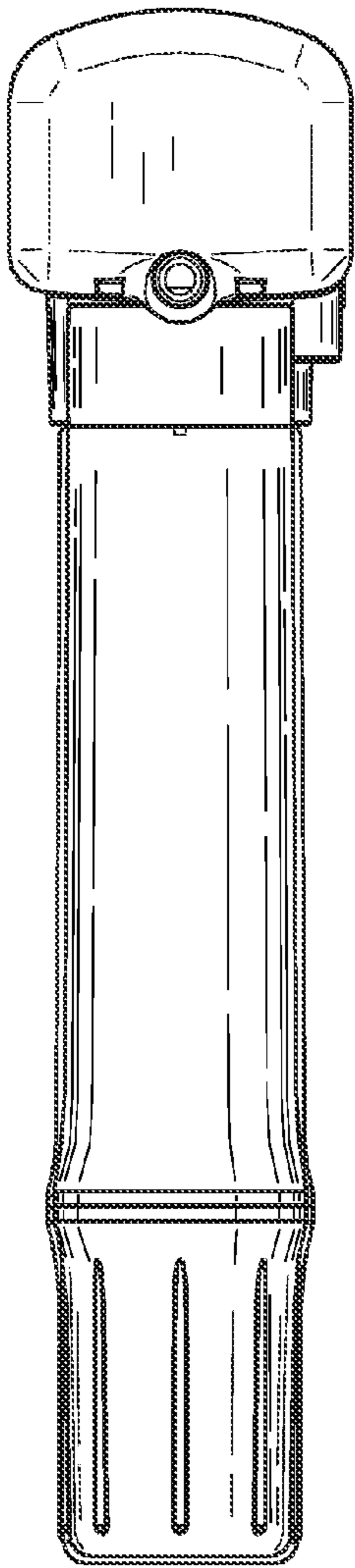


FIG. 4

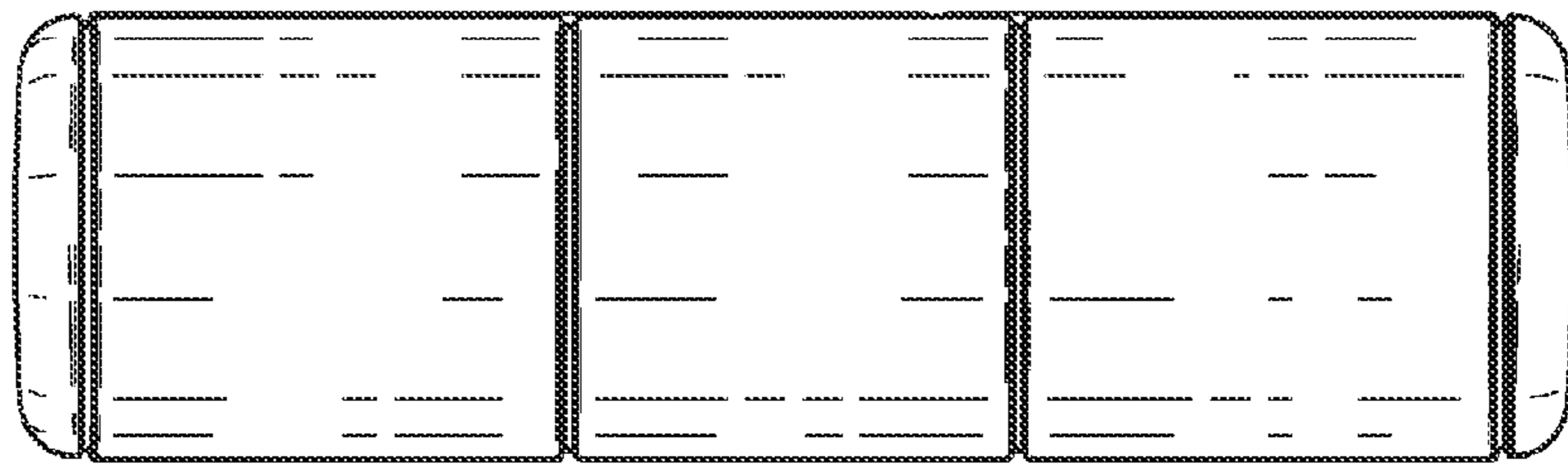


FIG. 5

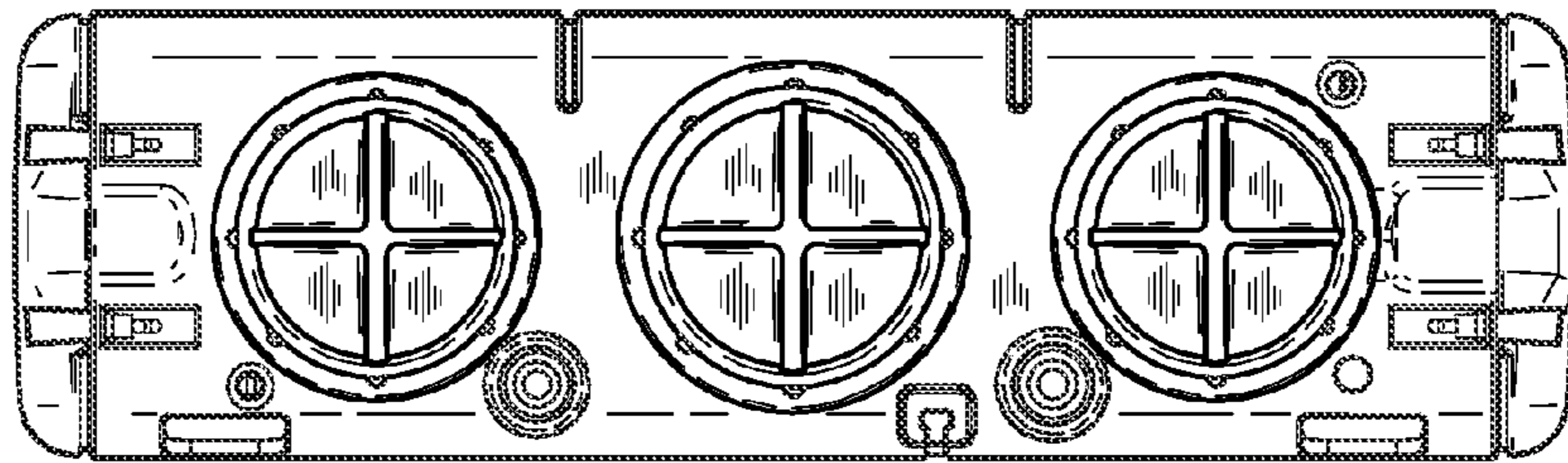


FIG. 6