



US00D547824S

(12) **United States Design Patent**
Brown

(10) **Patent No.:** **US D547,824 S**

(45) **Date of Patent:** **** Jul. 31, 2007**

(54) **POND FILTER**

D428,469 S * 7/2000 Puiggros Roig D23/209
D477,050 S * 7/2003 Goodwin D23/209

(75) Inventor: **Robin Brown**, Eynesbury St. Neots
(GB)

(73) Assignee: **Hozelock Limited**, Buckinghamshire
(GB)

* cited by examiner

Primary Examiner—Robin Webster

(74) *Attorney, Agent, or Firm*—Barnes & Thornburg, LLP

(**) Term: **14 Years**

(21) Appl. No.: **29/243,791**

(57) **CLAIM**

We claim the ornamental design for a pond filter, as shown.

(22) Filed: **Nov. 30, 2005**

(30) **Foreign Application Priority Data**

DESCRIPTION

May 31, 2005 (EM) 000355045

(51) **LOC (8) Cl.** **23-01**

(52) **U.S. Cl.** **D23/209**

(58) **Field of Classification Search** D23/207,
D23/209, 210; 210/416.2, 167.1, 167.15,
210/167.16

See application file for complete search history.

FIG. 1 is a right side view of the pond filter showing our new design;

FIG. 2 is a top perspective view thereof;

FIG. 3 is a left side view thereof;

FIG. 4 is an underside view thereof;

FIG. 5 is a rear view thereof;

FIG. 6 is a front view thereof; and,

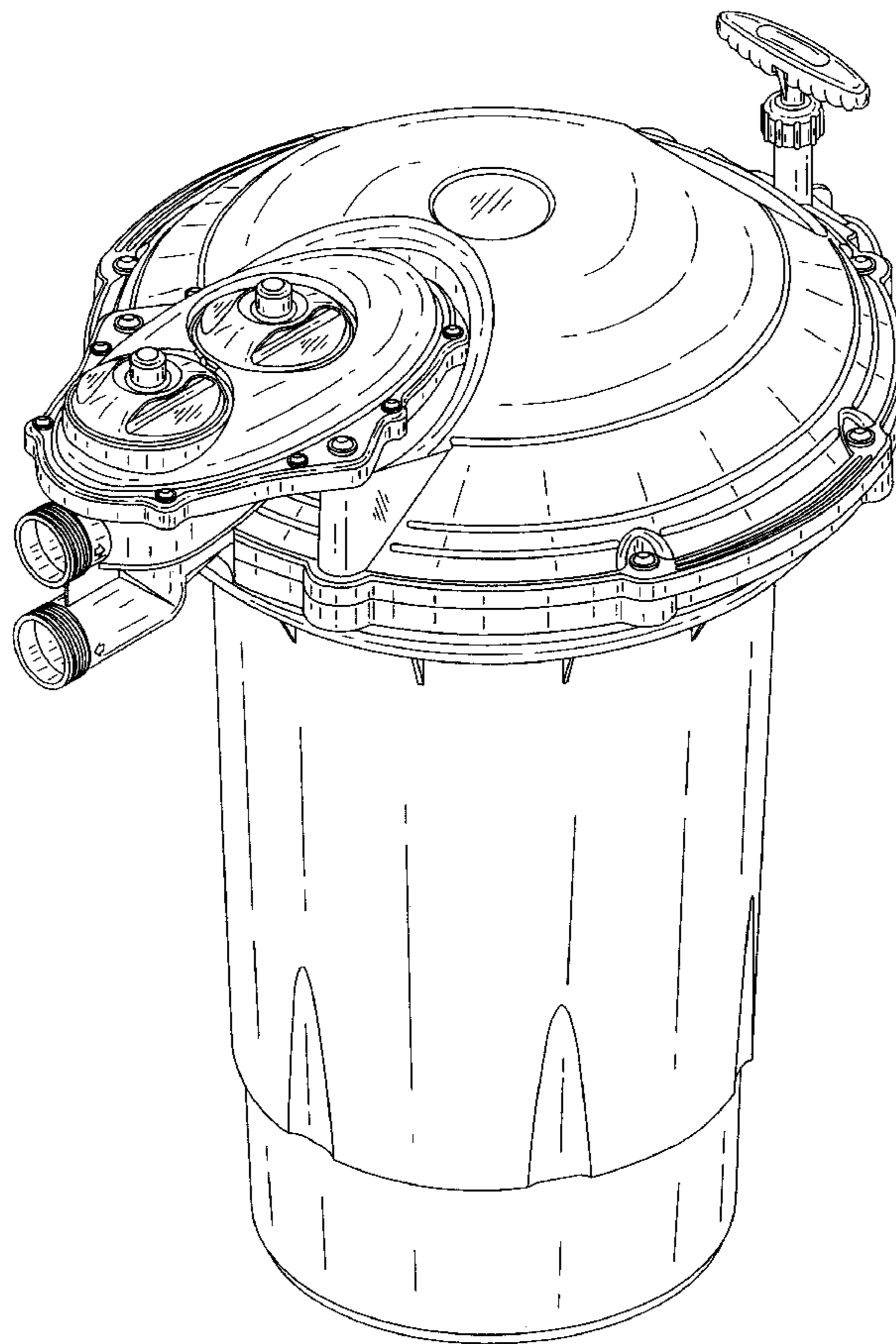
FIG. 7 is plan view thereof.

(56) **References Cited**

U.S. PATENT DOCUMENTS

D371,140 S * 6/1996 Anderson D23/209

1 Claim, 7 Drawing Sheets



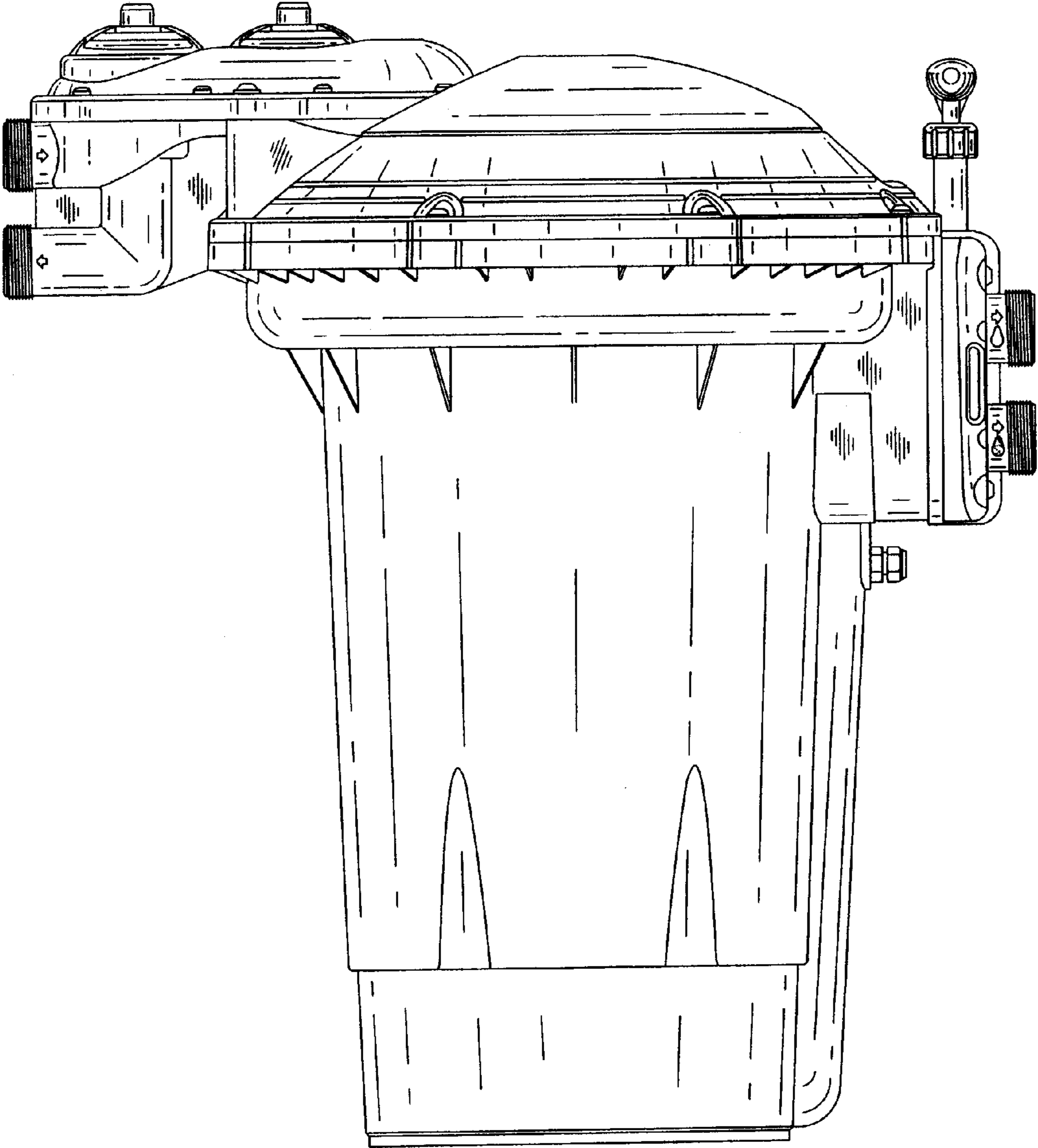


FIG.1

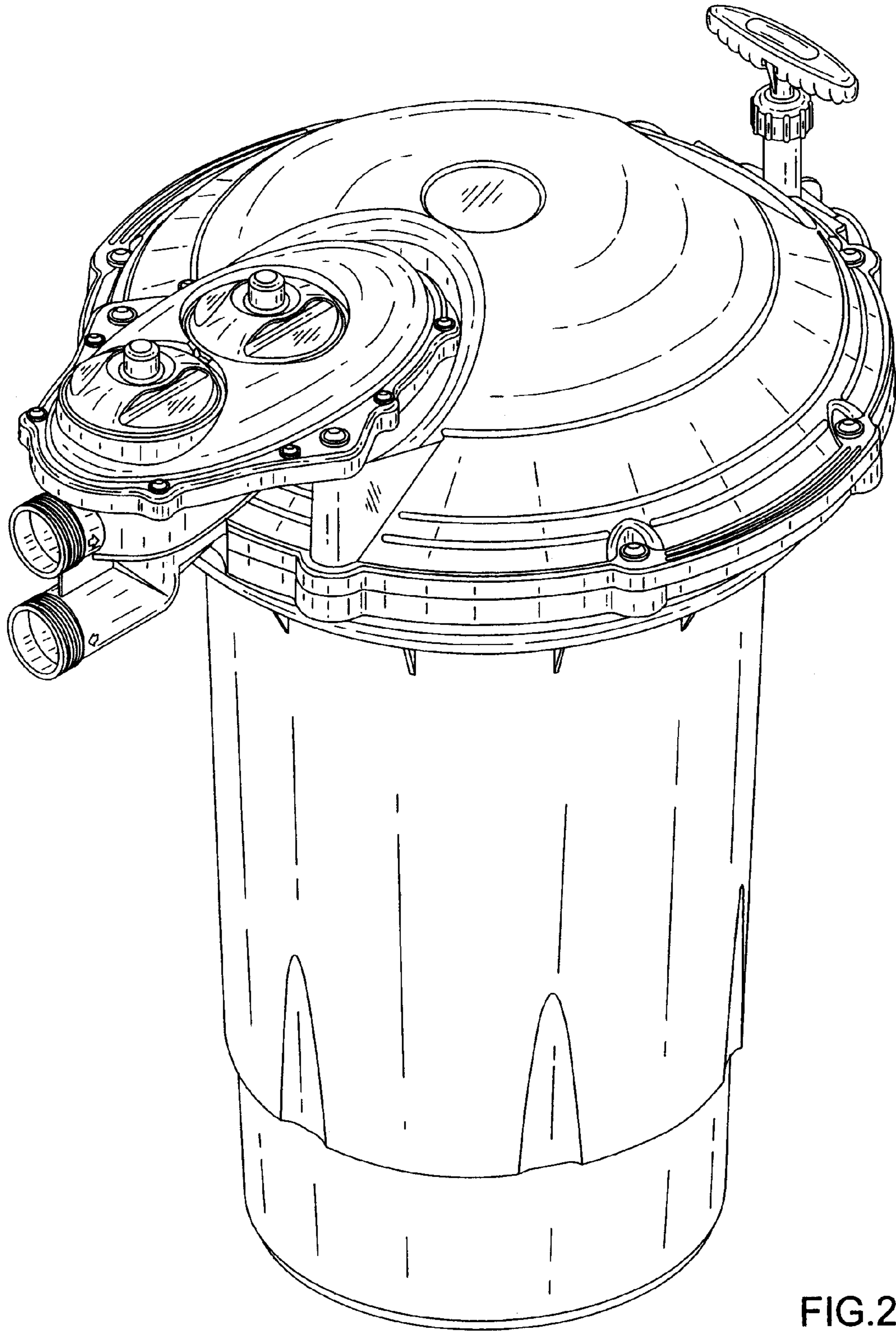


FIG.2

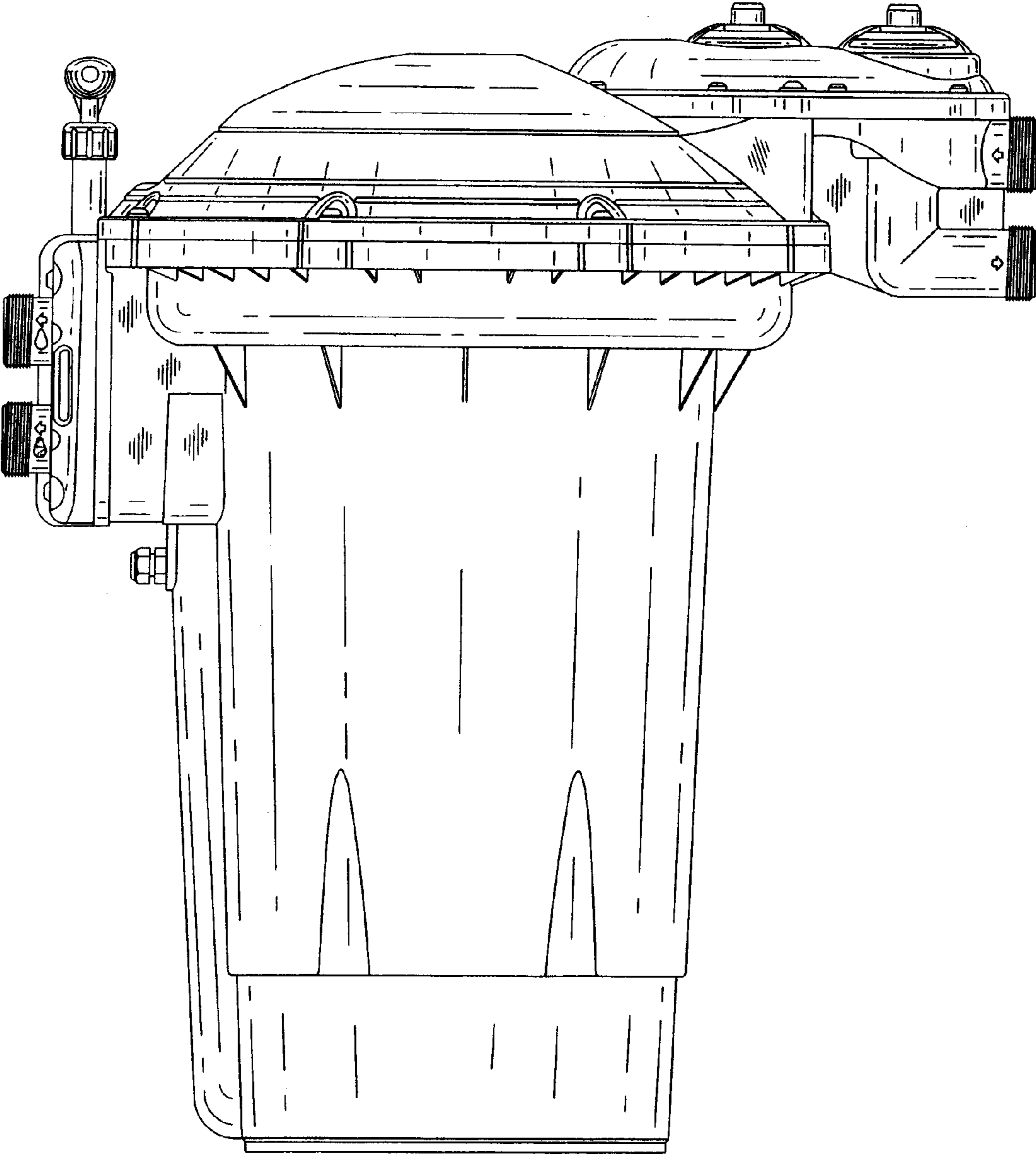


FIG.3

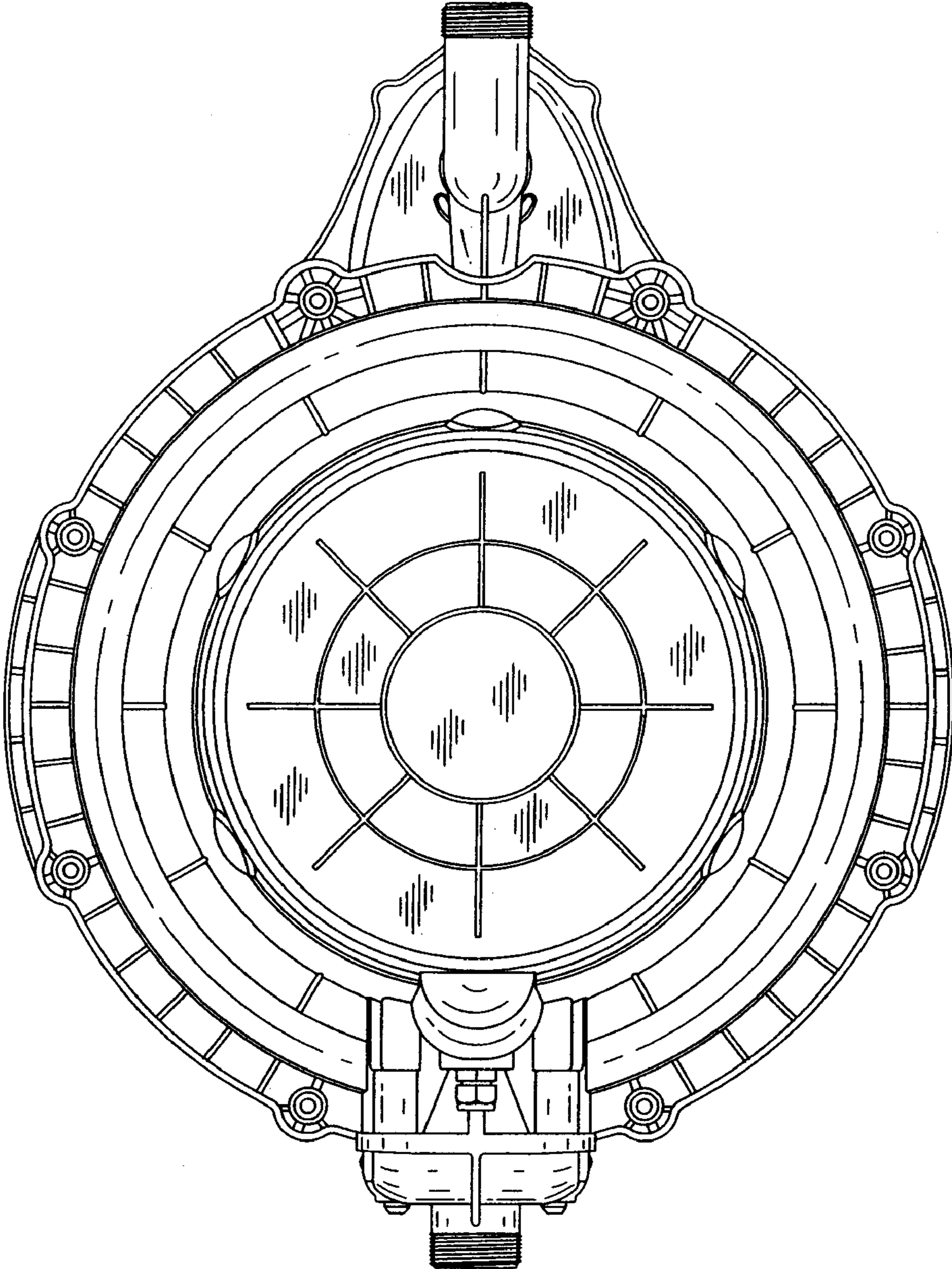


FIG.4

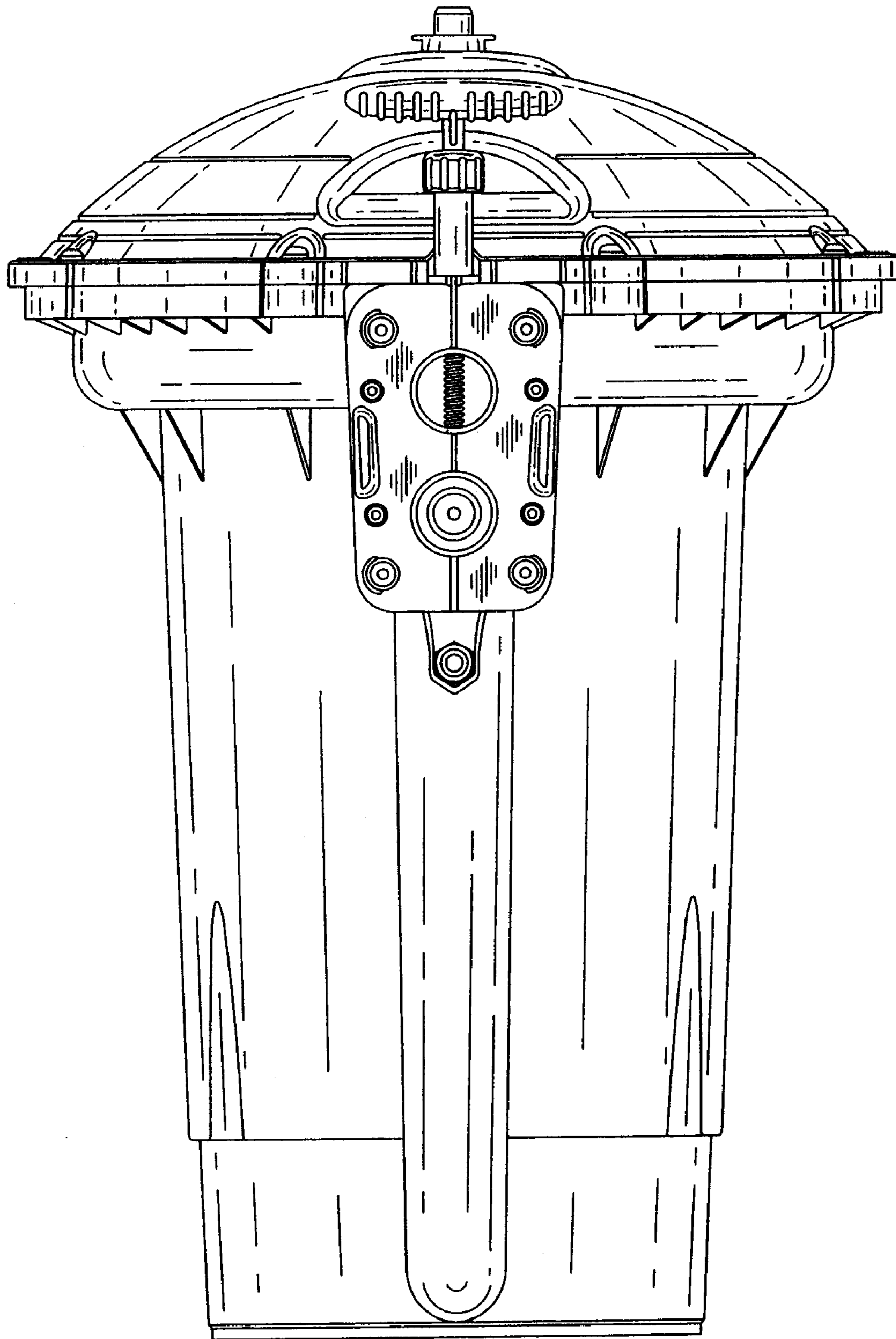


FIG.5

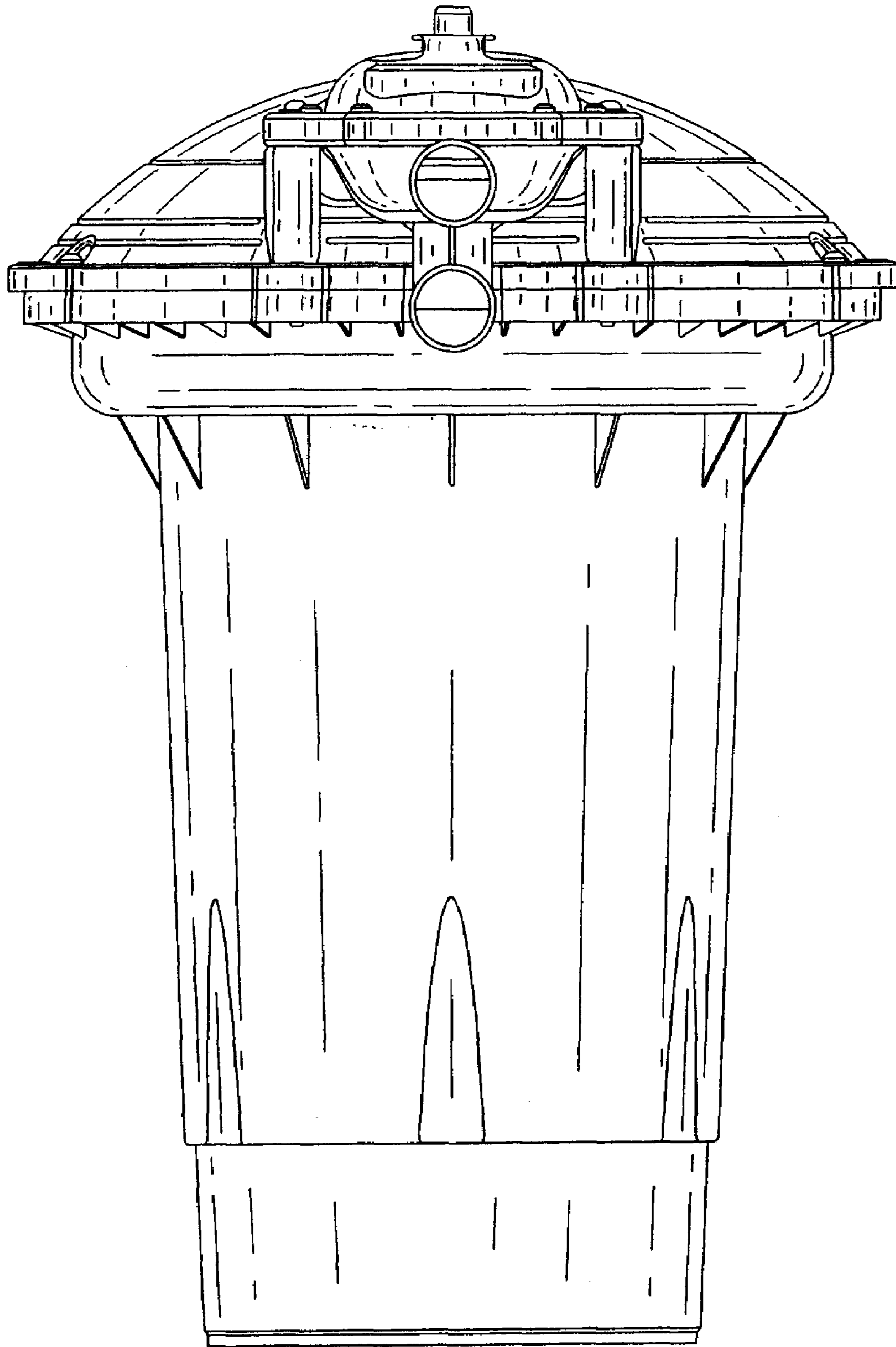


FIG.6

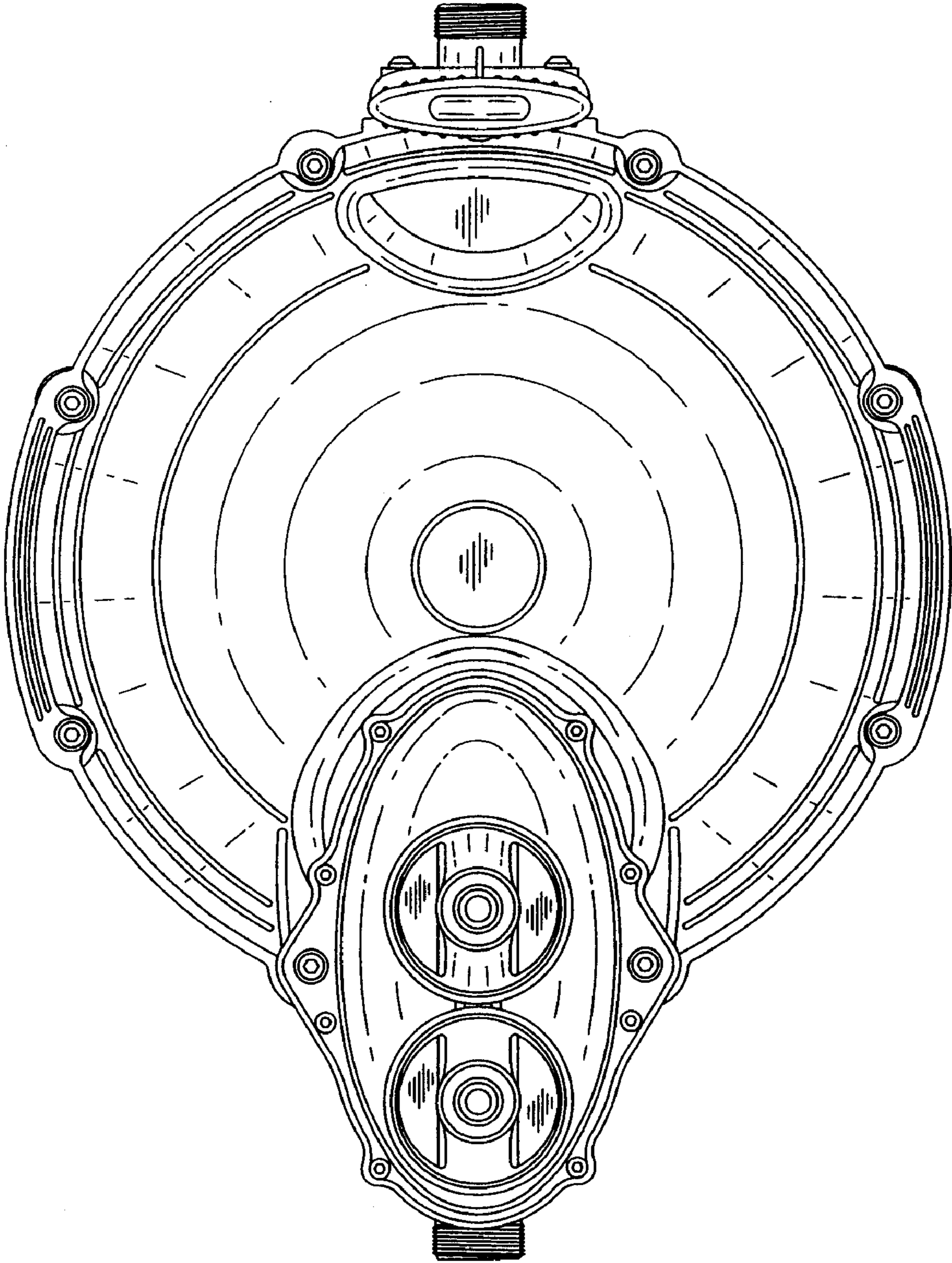


FIG.7