



US00D547812S

(12) **United States Design Patent**  
**Seckel et al.**

(10) **Patent No.: US D547,812 S**  
(45) **Date of Patent: \*\* Jul. 31, 2007**

(54) **WAGON TRAILER**

(57) **CLAIM**

(75) Inventors: **Timothy Seckel**, Streamwood, IL (US);  
**Earle Cramer**, Chicago, IL (US)

The ornamental design for a wagon trailer, as shown and described.

(73) Assignee: **Radio Flyer Inc.**, Chicago, IL (US)

**DESCRIPTION**

(\*\*) Term: **14 Years**

FIG. 1 is a perspective view of the wagon trailer in an erected configuration;

(21) Appl. No.: **29/260,409**

FIG. 2 is a front elevational view of the wagon trailer in the erected configuration;

(22) Filed: **May 23, 2006**

FIG. 3 is a rear elevational view of the wagon trailer in the erected configuration;

(51) **LOC (8) Cl.** ..... **21-01**

FIG. 4 is a side elevational view of the wagon trailer in the erected configuration, the opposite side of which is an identical mirror image;

(52) **U.S. Cl.** ..... **D21/425**

FIG. 5 is a top plan view of the wagon trailer in the erected configuration;

(58) **Field of Classification Search** ..... D21/419,  
D21/424-426, 534-536; D12/17, 19, 20,  
D12/129, 102, 105; 280/87.01, 87.021, 47.17,  
280/47.25, 47.34, 47.4, 204  
See application file for complete search history.

FIG. 6 is a bottom plan view of the wagon trailer in the erected configuration;

FIG. 7 is a perspective view of the wagon trailer in a folded configuration;

(56) **References Cited**

**U.S. PATENT DOCUMENTS**

FIG. 8 is a front elevational view of the wagon trailer in the folded configuration;

FIG. 9 is a rear elevational view of the wagon trailer in the folded configuration;

|           |   |   |         |                  |       |         |
|-----------|---|---|---------|------------------|-------|---------|
| 4,417,765 | A | * | 11/1983 | Wirsbinski       | ..... | 298/5   |
| D332,639  | S | * | 1/1993  | Argandona et al. | ..... | D21/425 |
| D351,575  | S | * | 10/1994 | Fenton et al.    | ..... | D12/102 |
| D383,094  | S | * | 9/1997  | Mast             | ..... | D12/102 |
| D400,125  | S | * | 10/1998 | Chiu             | ..... | D12/102 |

FIG. 10 is a right side elevational view of the wagon trailer in the folded configuration;

FIG. 11 is a left side elevational view of the wagon trailer in the folded configuration;

\* cited by examiner

*Primary Examiner*—Holly H. Baynham

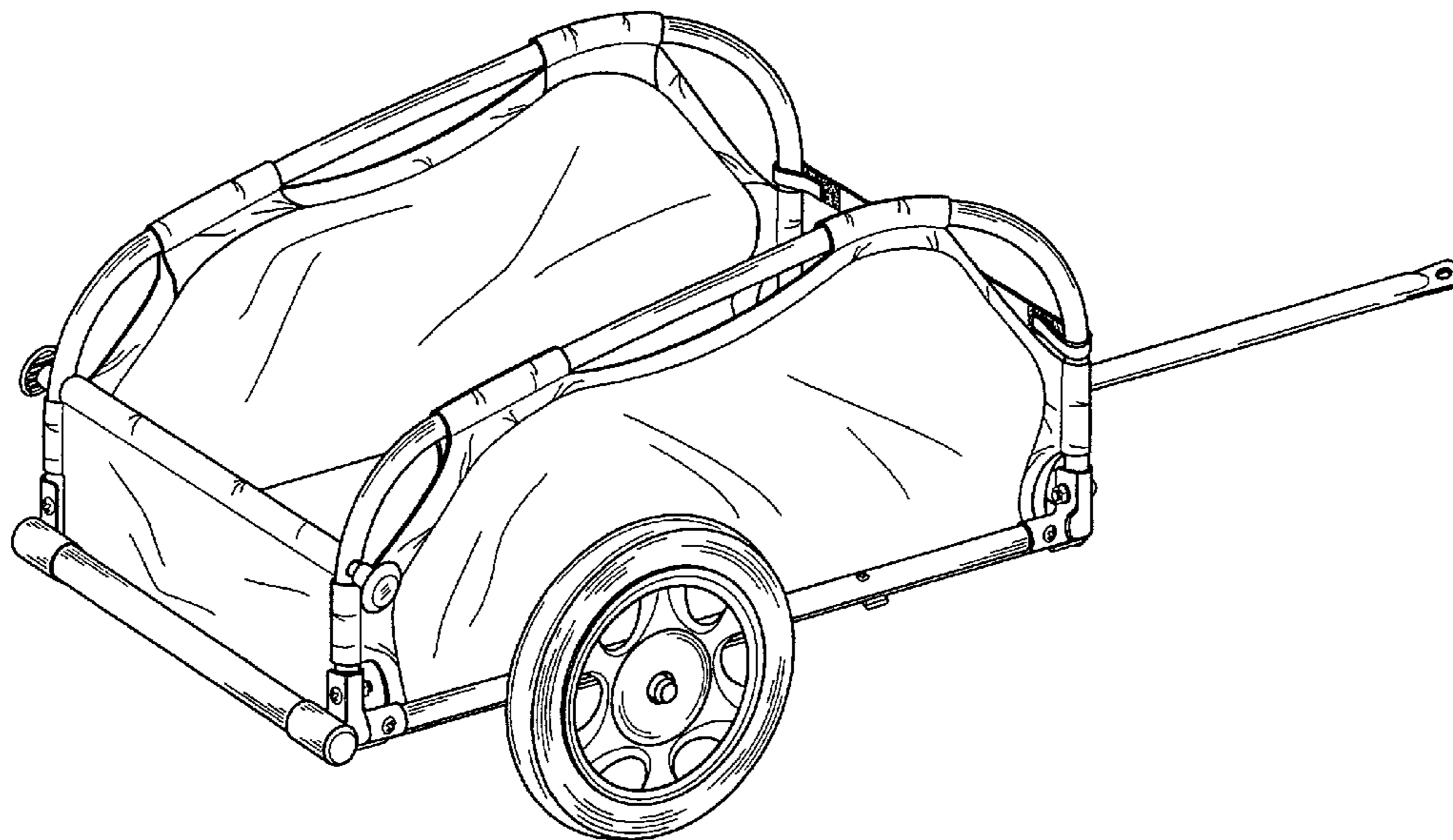
*Assistant Examiner*—Cynthia M. Chin

(74) *Attorney, Agent, or Firm*—DLA Piper US LLP; R. Blake Johnston

FIG. 12 is a top plan view of the wagon trailer with in the folded configuration; and,

FIG. 13 is a bottom plan view of the wagon trailer in the folded configuration.

**1 Claim, 7 Drawing Sheets**



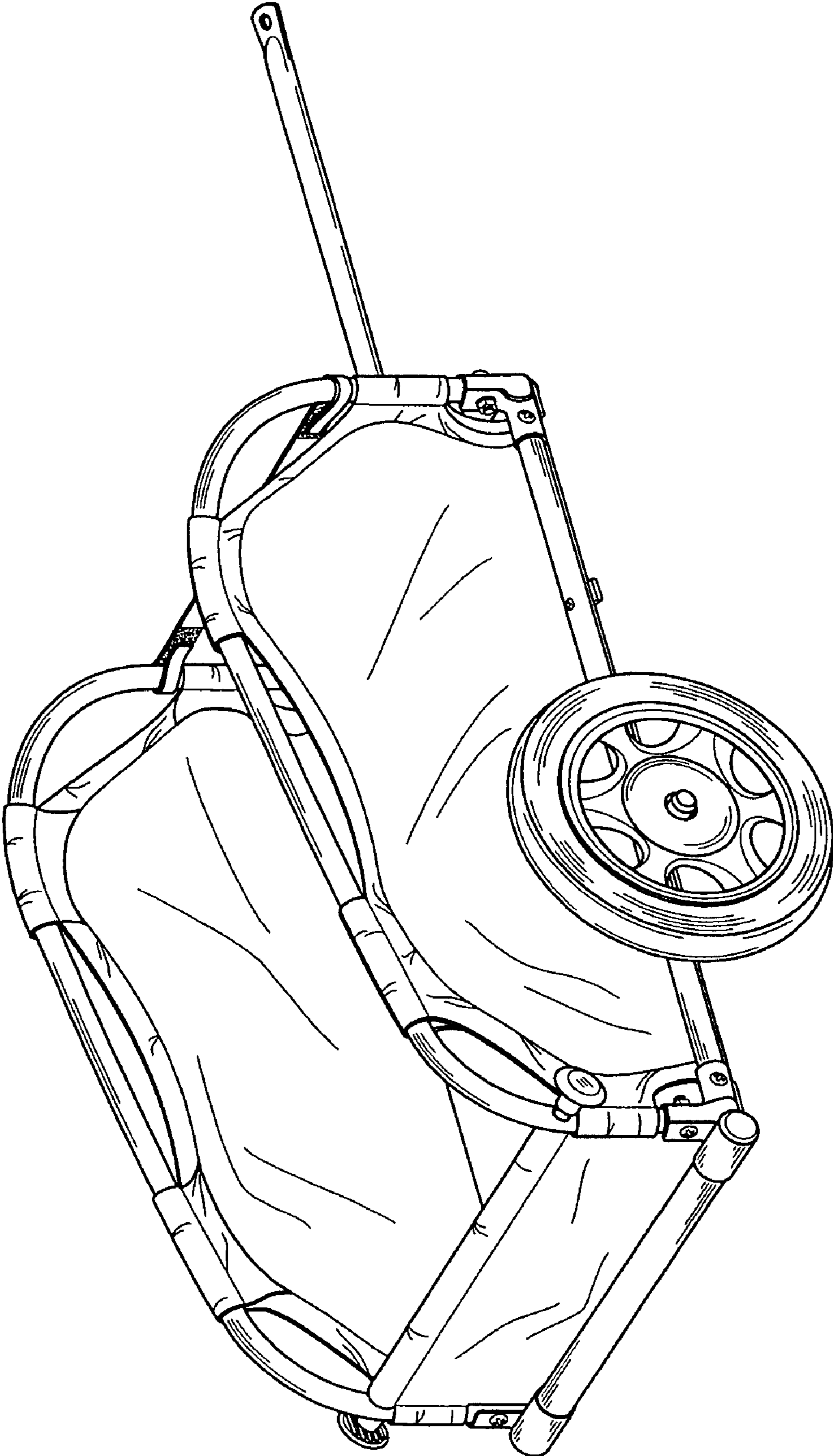


FIG. 1

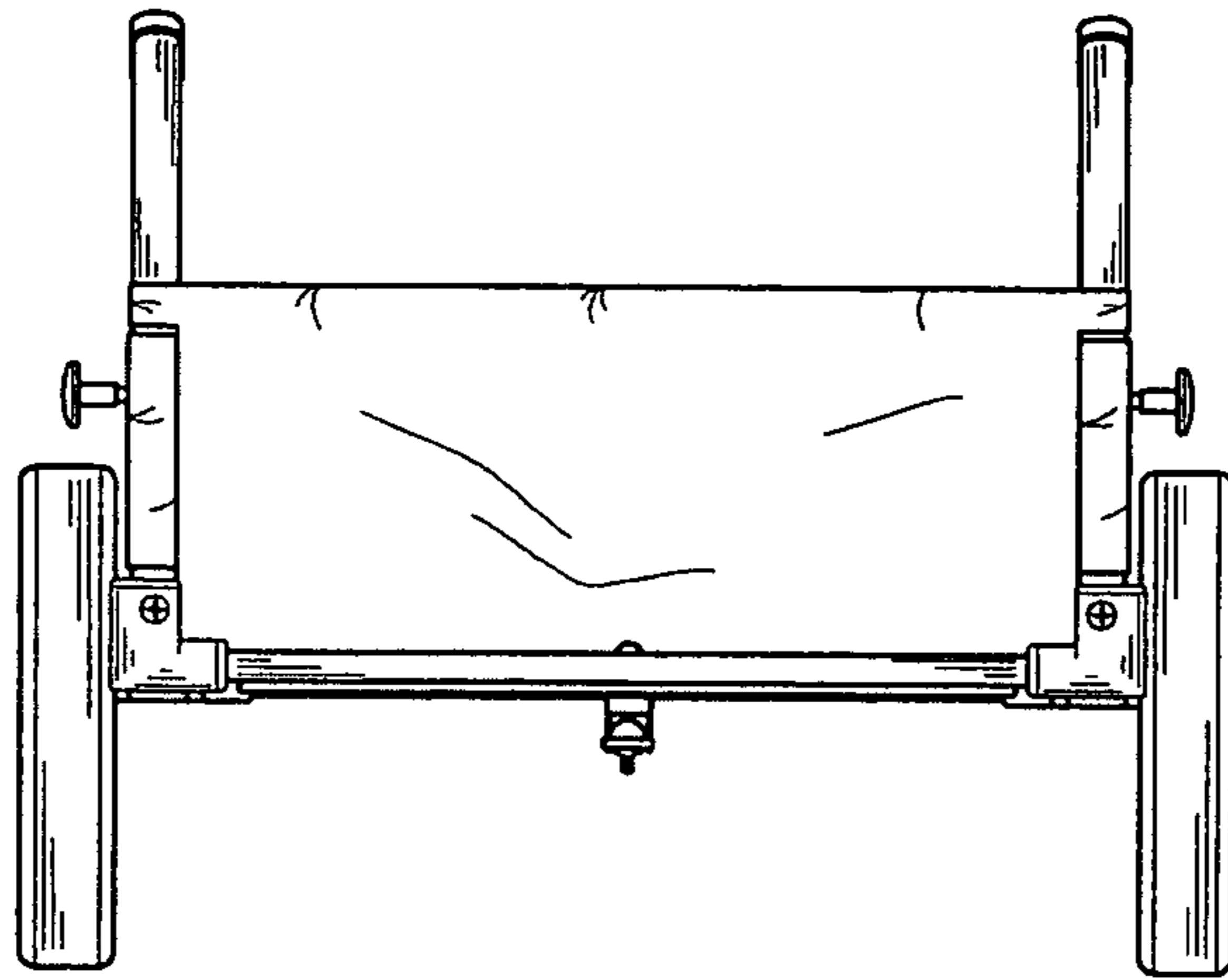


FIG. 2

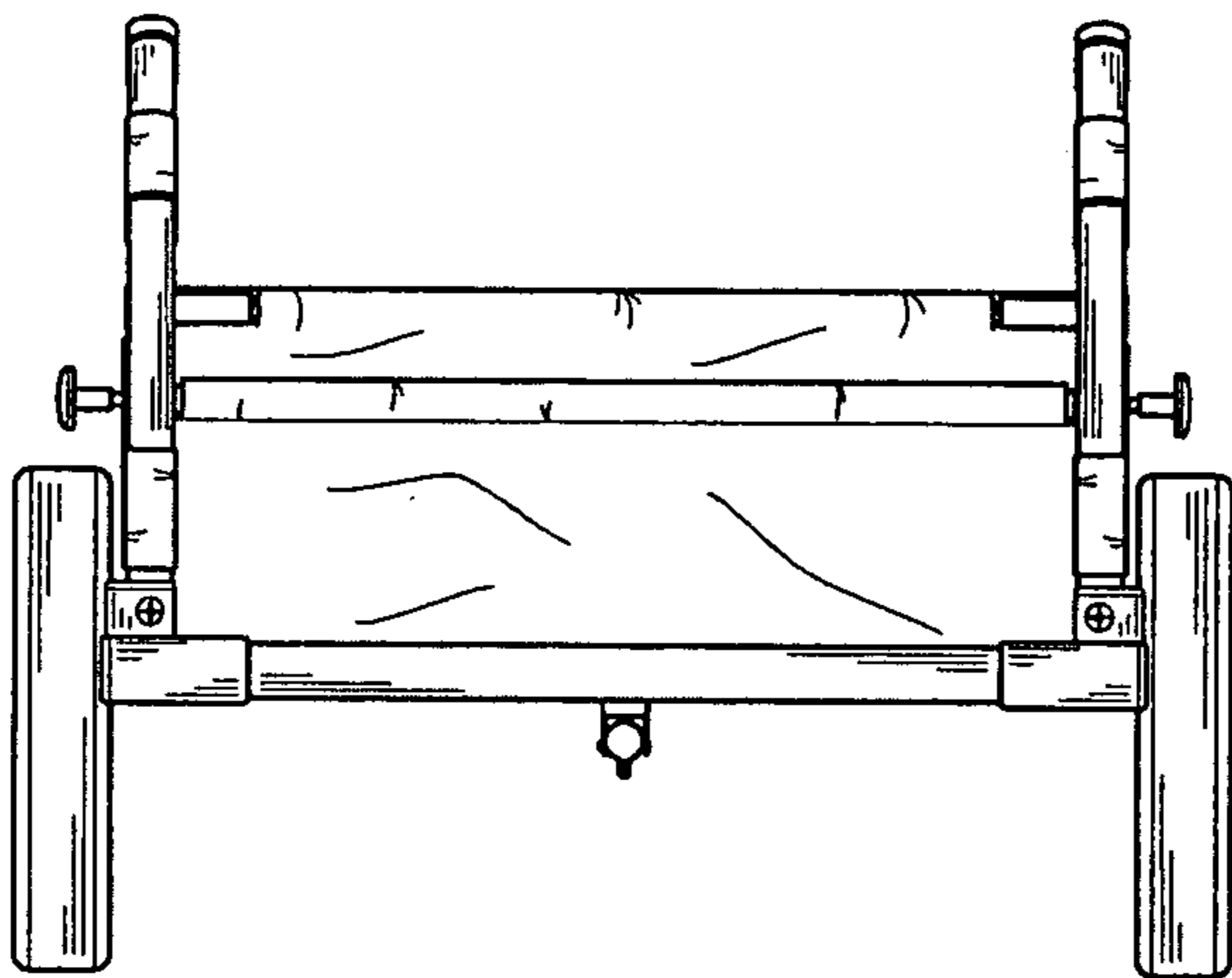


FIG. 3

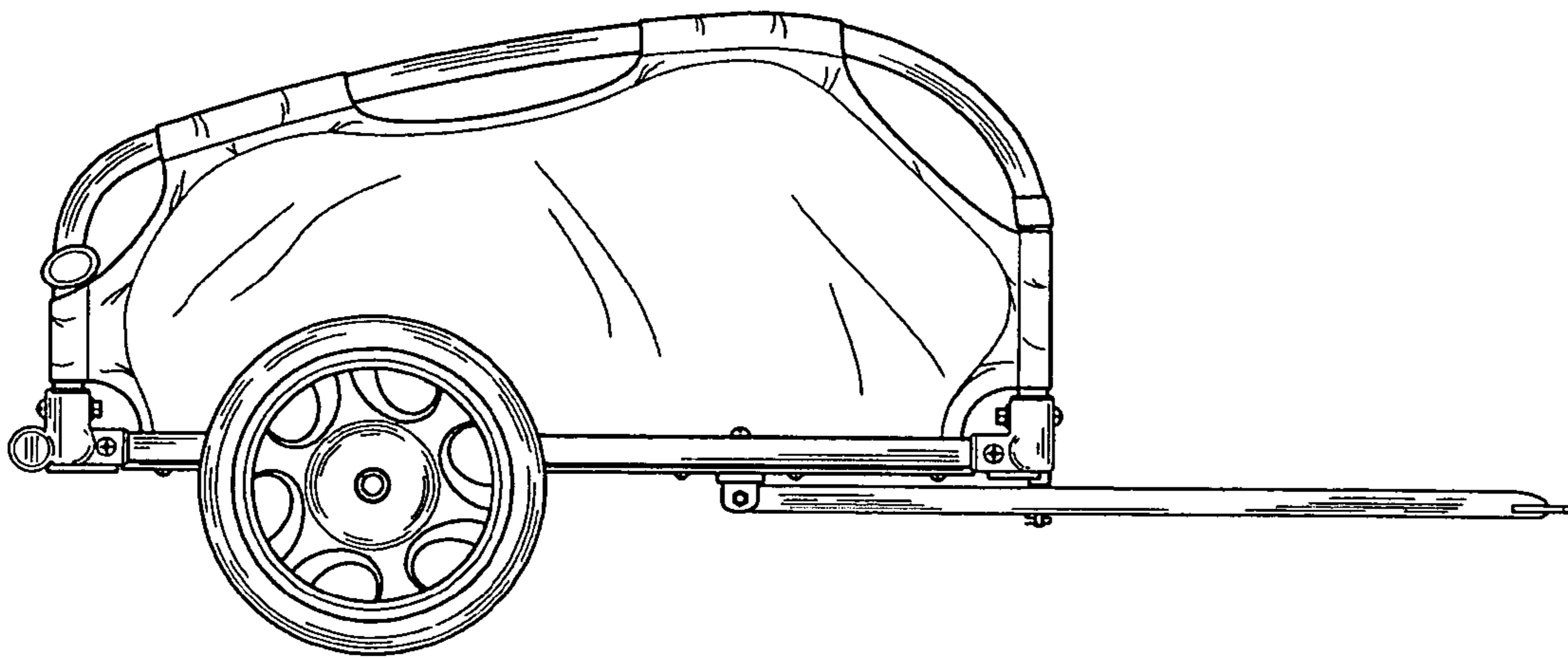


FIG. 4

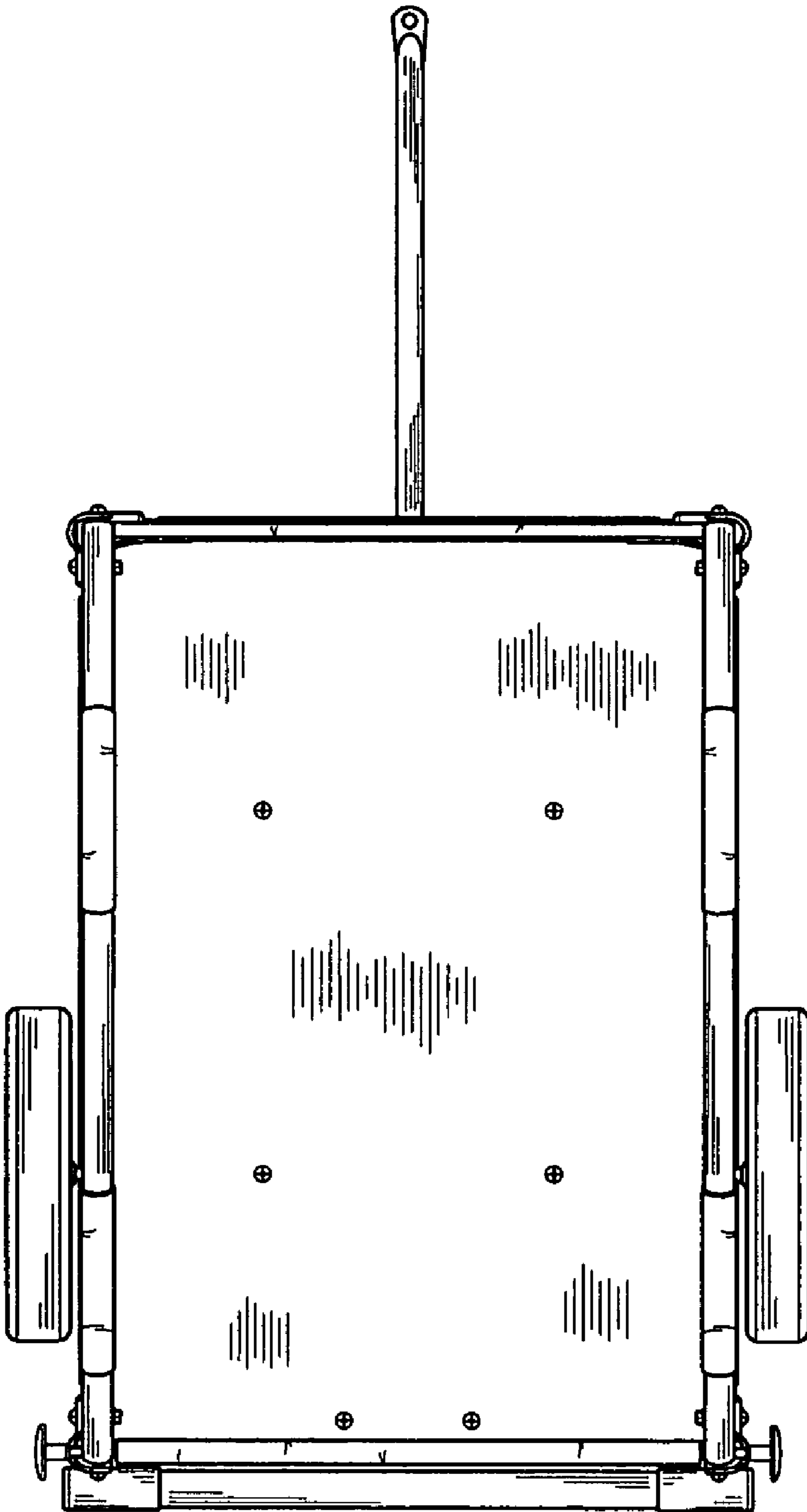


FIG. 5

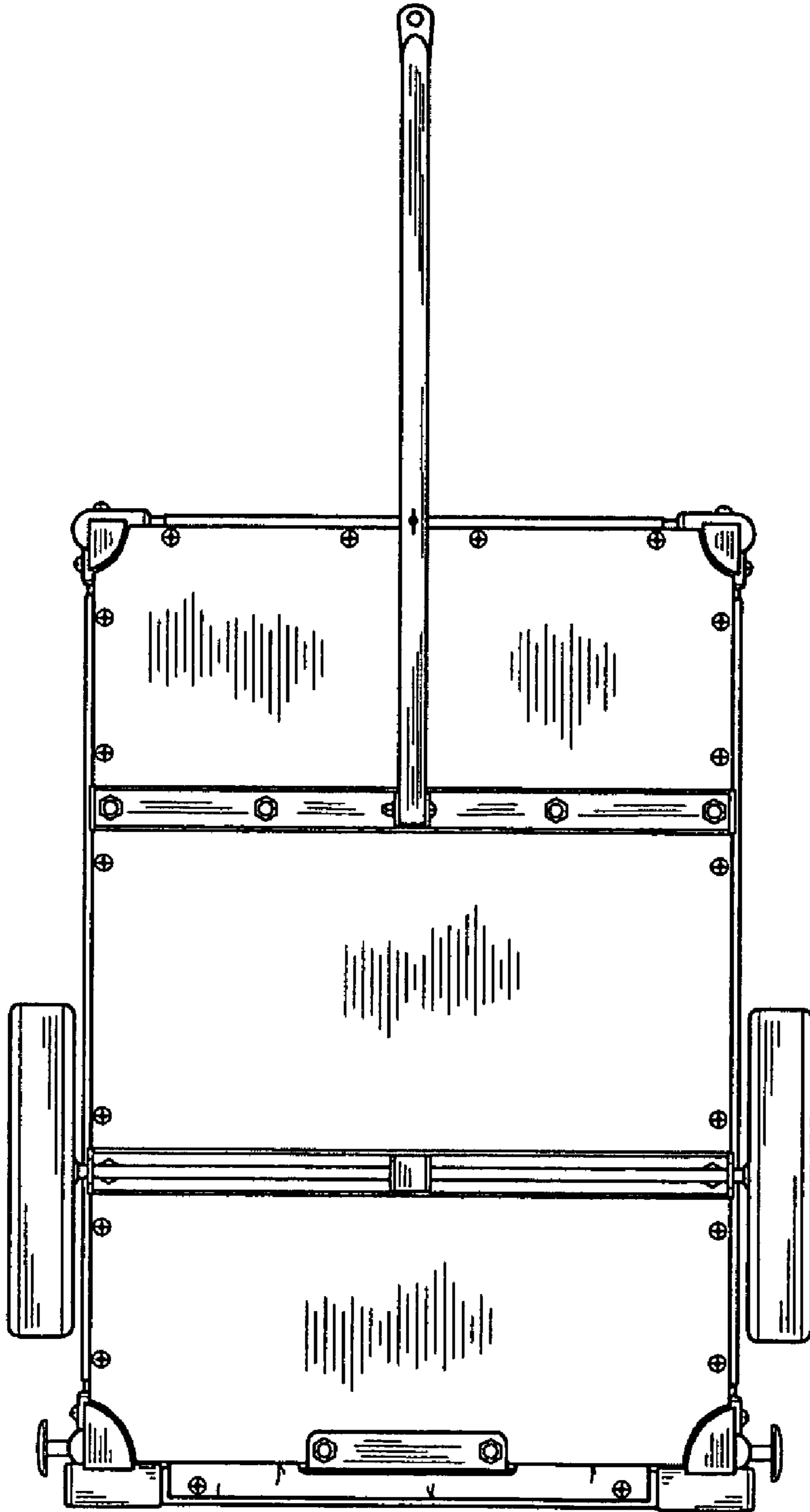


FIG. 6

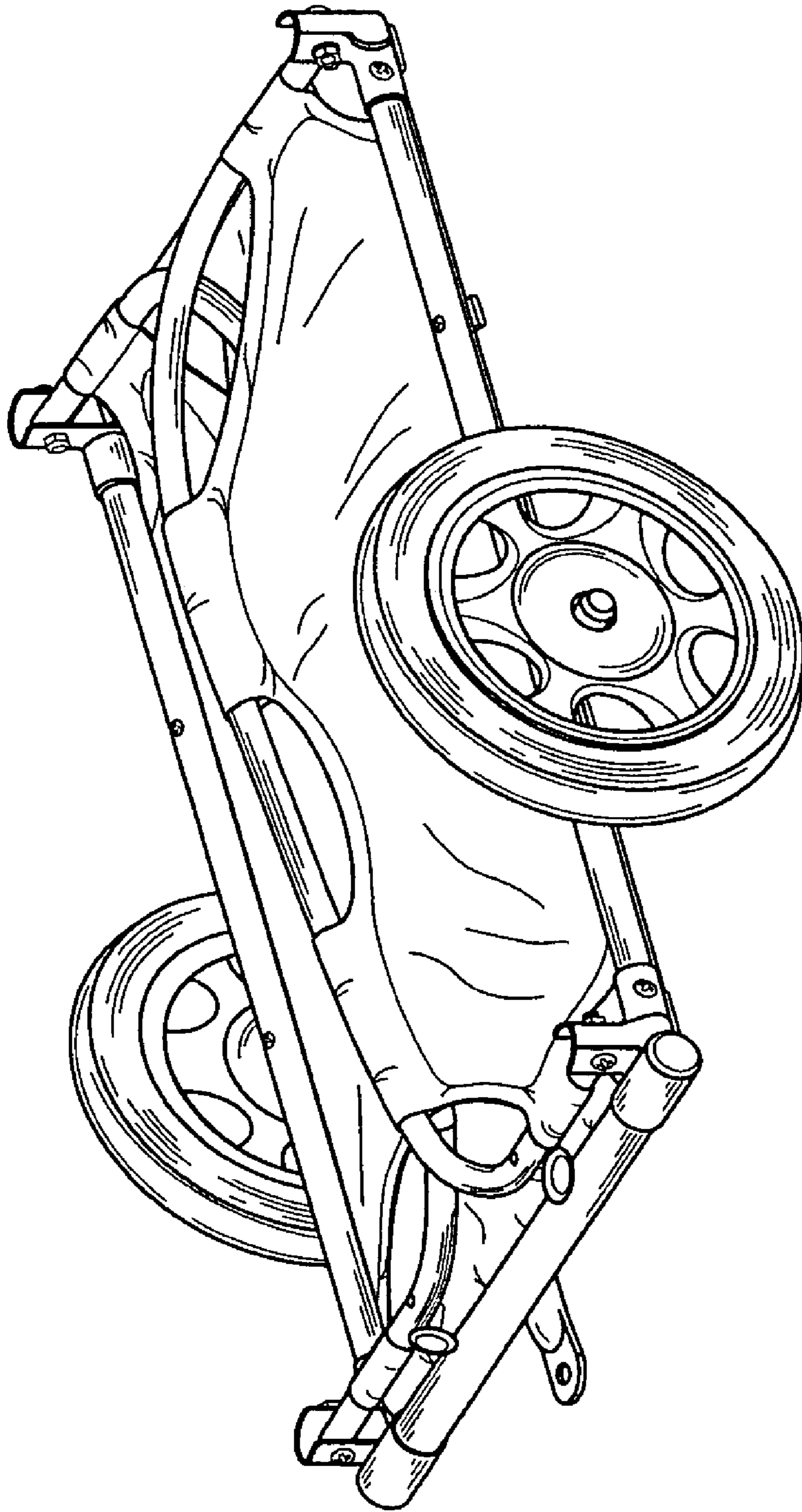


FIG. 7

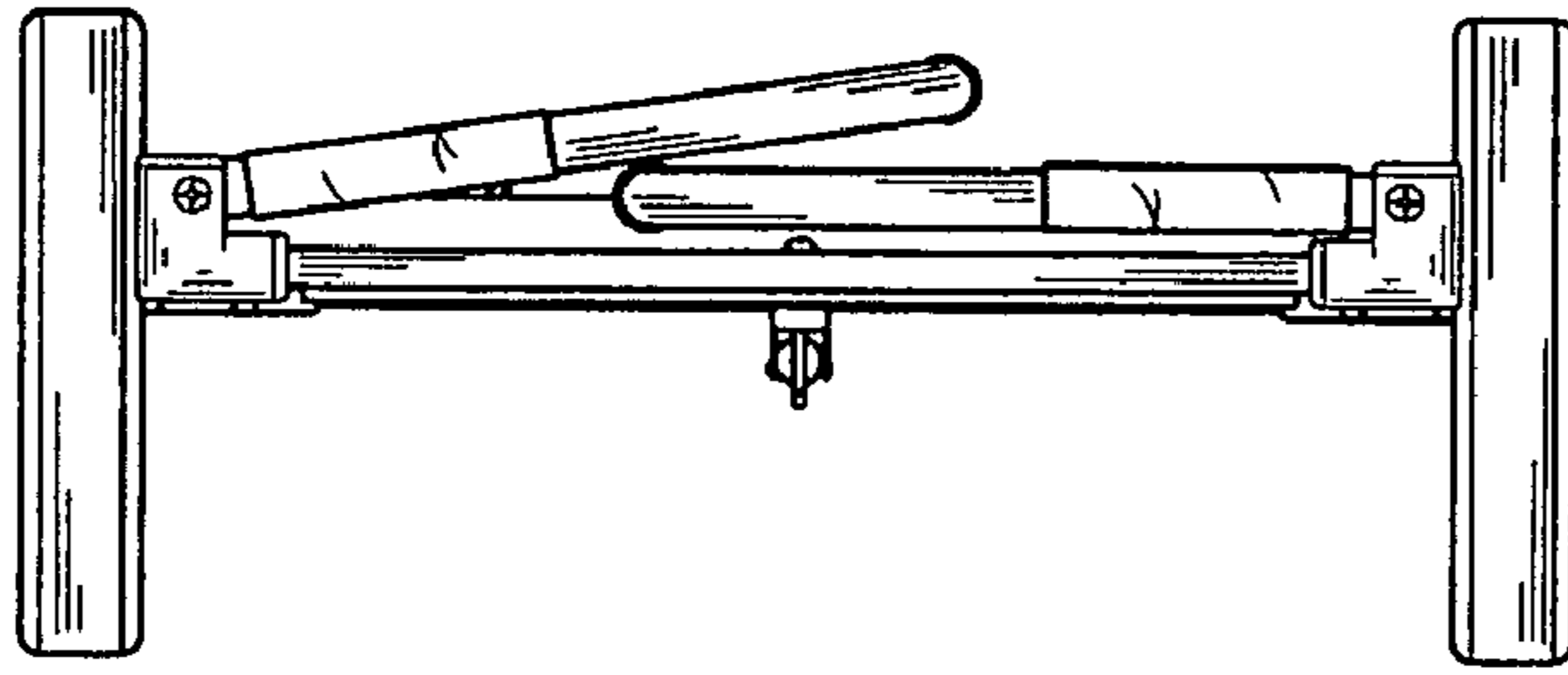


FIG. 8

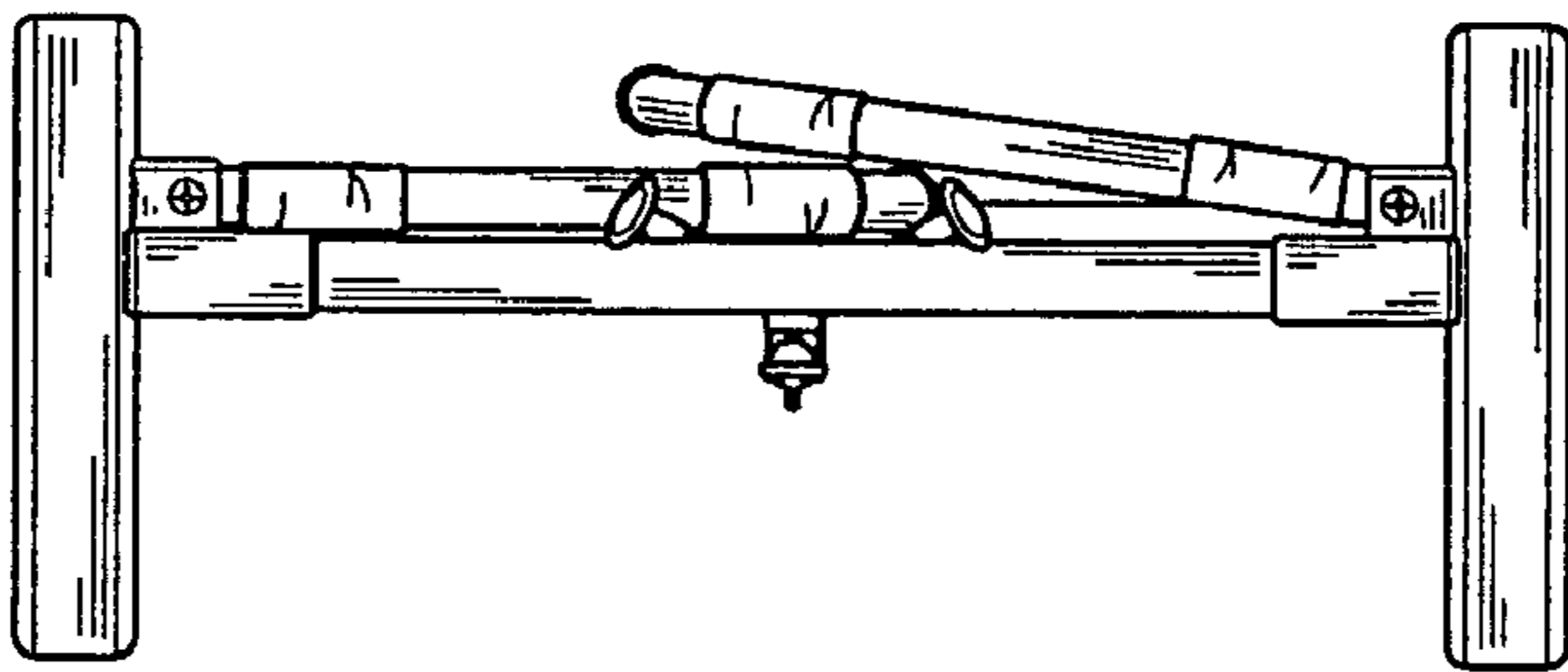


FIG. 9

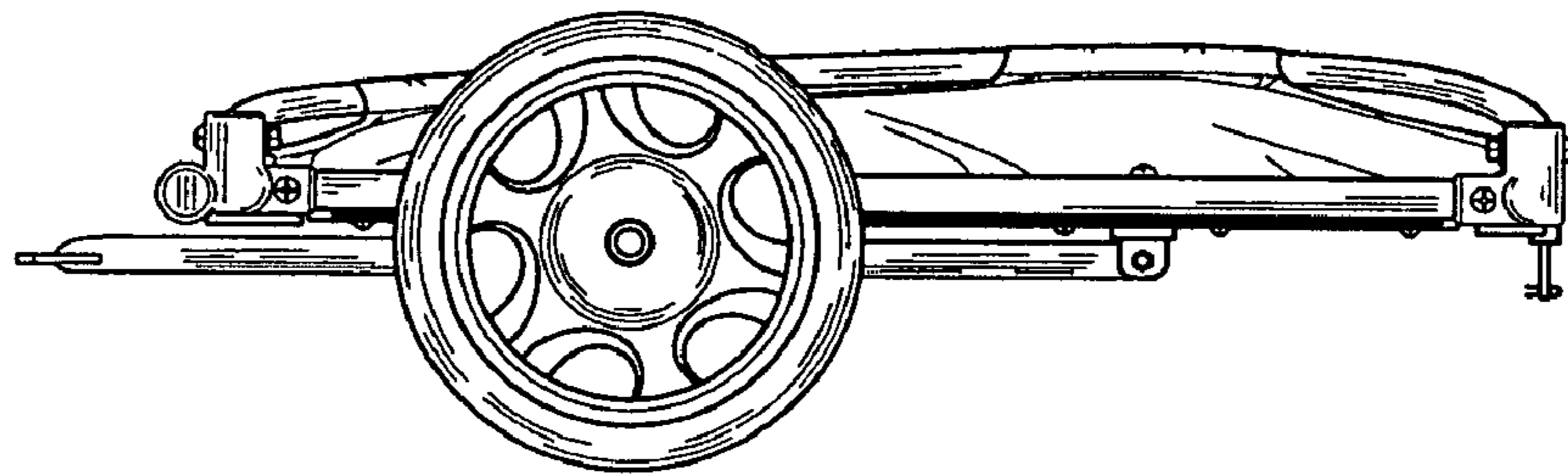


FIG. 10

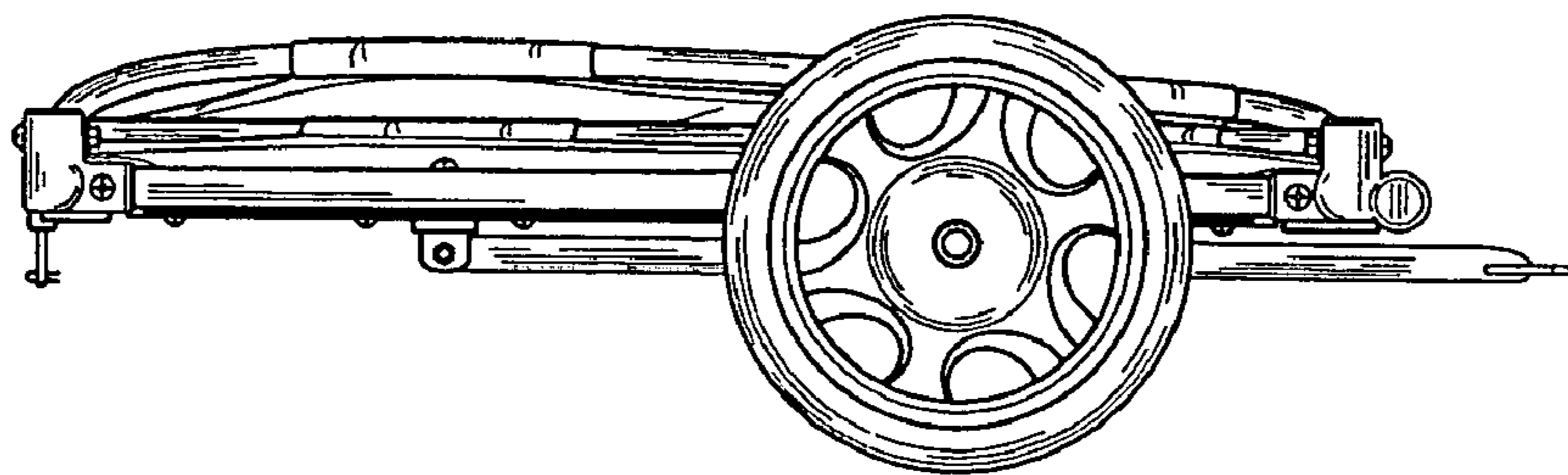


FIG. 11

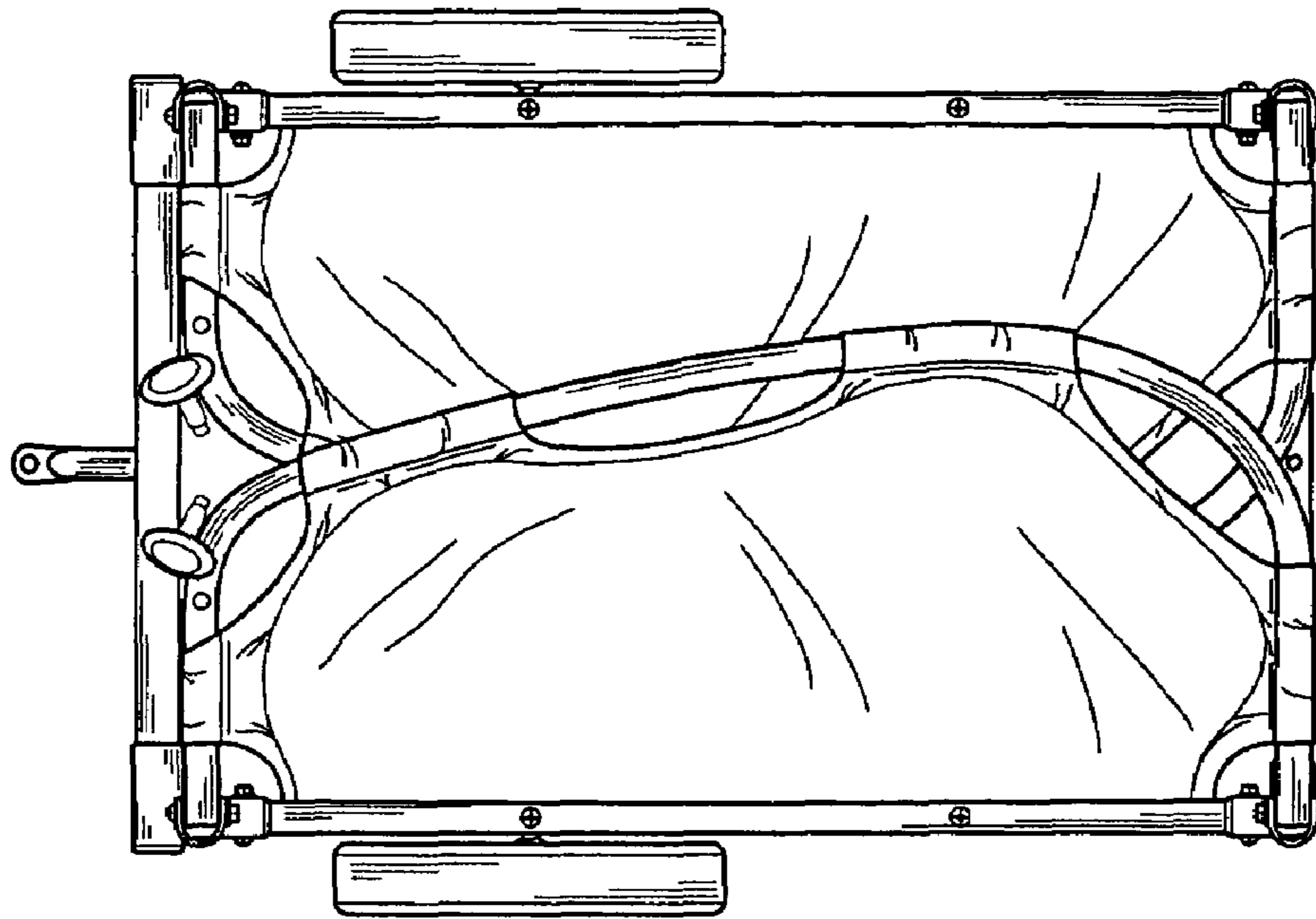


FIG. 12

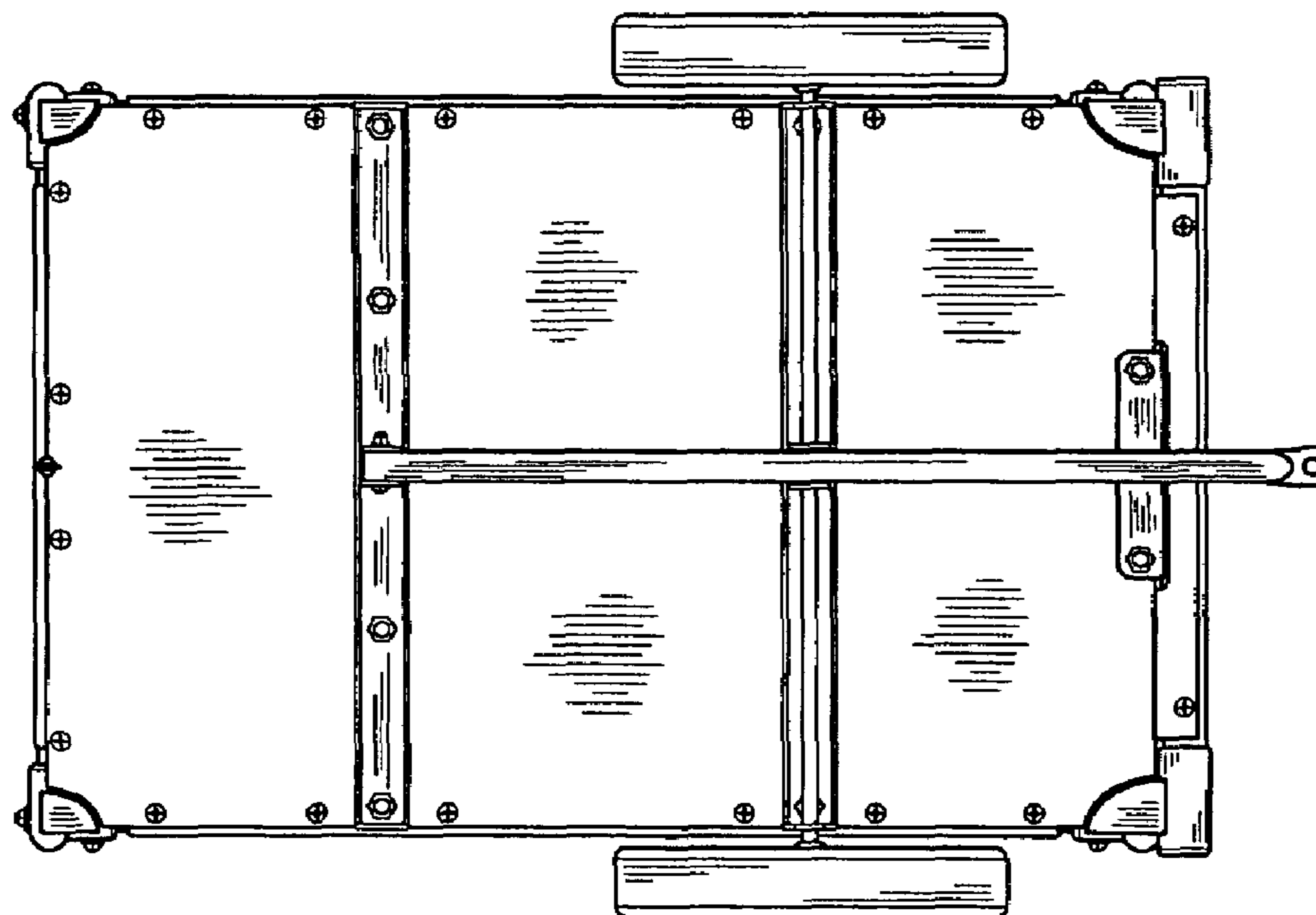


FIG. 13