

US00D547807S

(12) **United States Design Patent**
Wamsley

(10) **Patent No.:** **US D547,807 S**
(45) **Date of Patent:** **** Jul. 31, 2007**

(54) **HOLDER FOR PLANAR MATERIAL**

D508,960 S * 8/2005 Mueller D20/43
6,932,226 B2 * 8/2005 Hardy 211/119.003

(75) Inventor: **Stephen D. Wamsley**, Lakewood, OH (US)

OTHER PUBLICATIONS

(73) Assignee: **Fasteners For Retail, Inc.**, Cleveland, OH (US)

FFR Yellow Pages® 2002 Product Catalog, Front Cover; pp. 10,12,82, 93, 114, 115 and Back Cover.

(**) Term: **14 Years**

* cited by examiner

(21) Appl. No.: **29/198,245**

Primary Examiner—Robert M. Spear

Assistant Examiner—Mary Ann Calabrese

(22) Filed: **Jan. 27, 2004**

(74) *Attorney, Agent, or Firm*—Fay Sharpe LLP

(51) **LOC (8) Cl.** **20-03**

(52) **U.S. Cl.** **D20/43**

(58) **Field of Classification Search** D20/10,
D20/22, 40, 42-43; 40/124.01, 124.05, 341,
40/584, 606.01, 617, 642.01, 642.02, 649,
40/653, 654.01, 658, 661, 661.01, 661.03,
40/664, 668; 248/214, 215, 220.31, 231.91,
248/309.1; D25/119, 121, 122, 124; D8/373,
D8/380; 52/522; D19/20; 211/119.003

See application file for complete search history.

(57) **CLAIM**

The ornamental design for a holder for planar material, as shown and described.

(56) **References Cited**

DESCRIPTION

U.S. PATENT DOCUMENTS

3,728,806 A * 4/1973 Kostiuk 40/658
4,506,856 A * 3/1985 Rich et al. 248/220.31
D288,775 S * 3/1987 Alshooler D8/373
4,829,689 A * 5/1989 Alshooler 40/617
5,375,803 A 12/1994 Kump
D440,606 S 4/2001 Mueller
D453,798 S * 2/2002 Gray D20/43
D454,917 S 3/2002 Mueller
D496,693 S * 9/2004 Mueller D20/43

FIG. 1 is a perspective view from the upper left side of a holder for planar material showing my new design;

FIG. 2 is a perspective view from the upper right side thereof;

FIG. 3 is a top plan view thereof, with a bottom plan view being a mirror image thereof;

FIG. 4 is a right side elevational view thereof;

FIG. 5 is a front elevational view thereof;

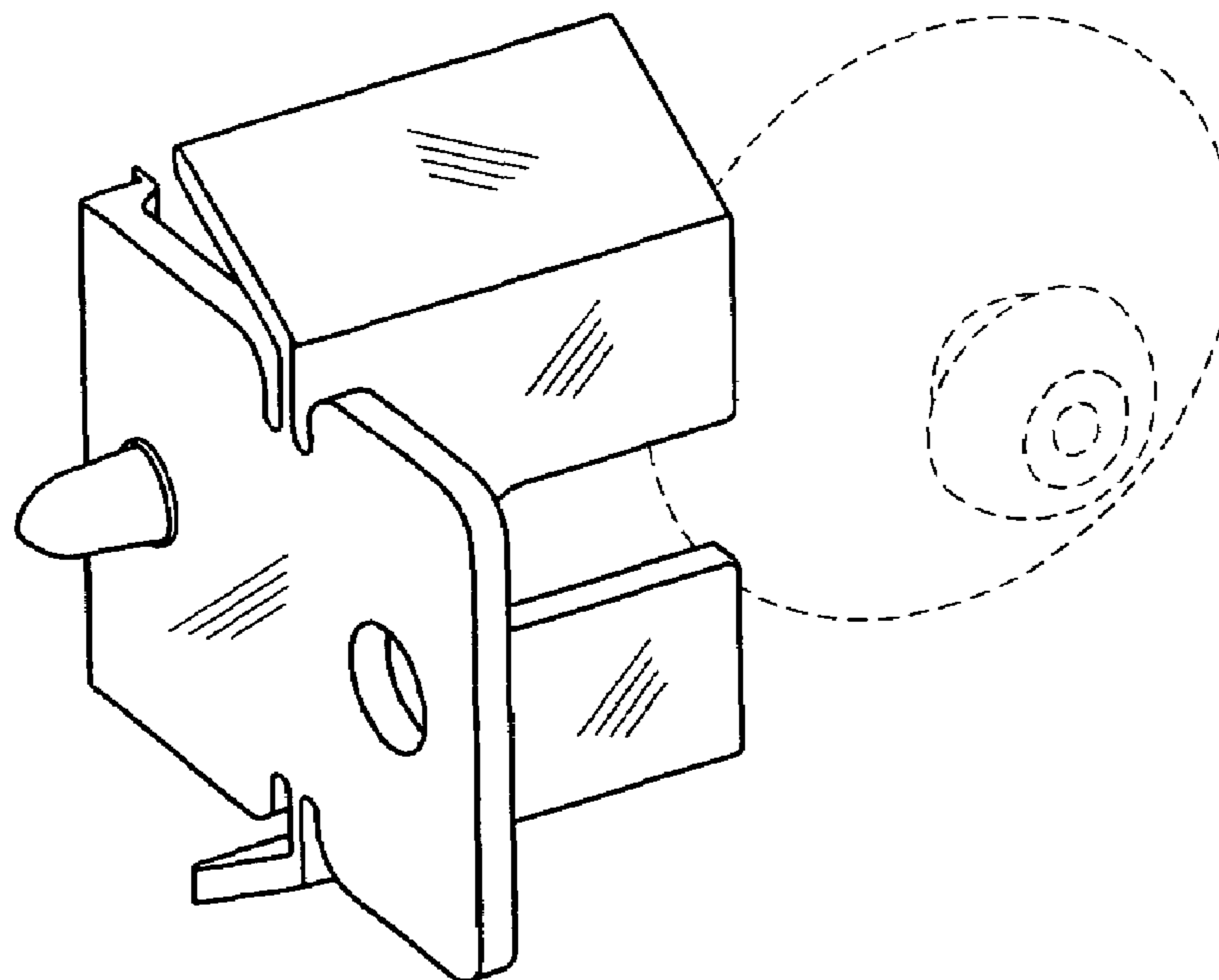
FIG. 6 is a rear elevational view thereof;

FIG. 7 is a left side elevational view thereof; and,

FIG. 8 is a perspective view thereof in use holding a sign.

The parts illustrated in dashed lines in FIGS. 1, 2 and 8 form no part of the claimed design.

1 Claim, 3 Drawing Sheets



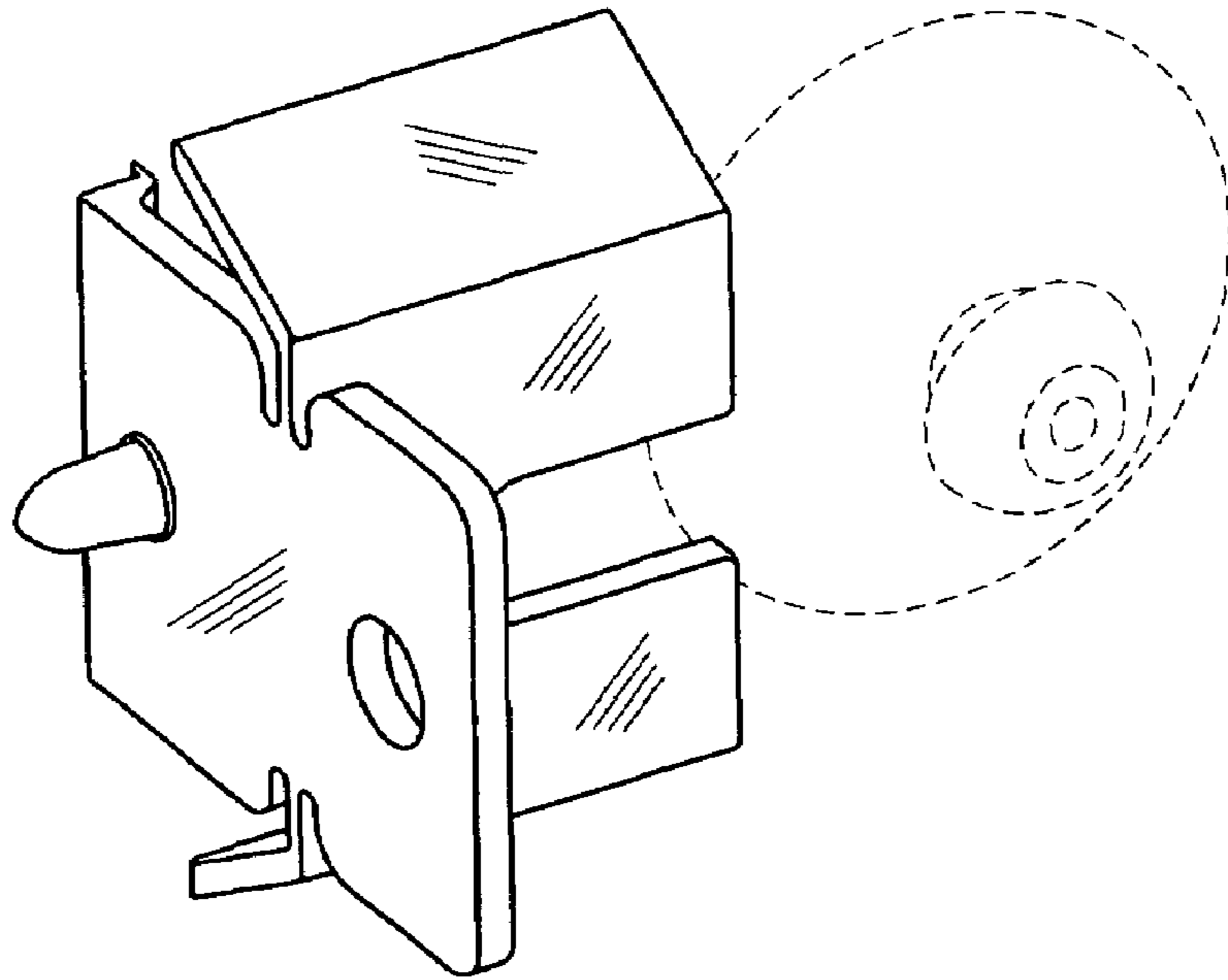


FIG. 1

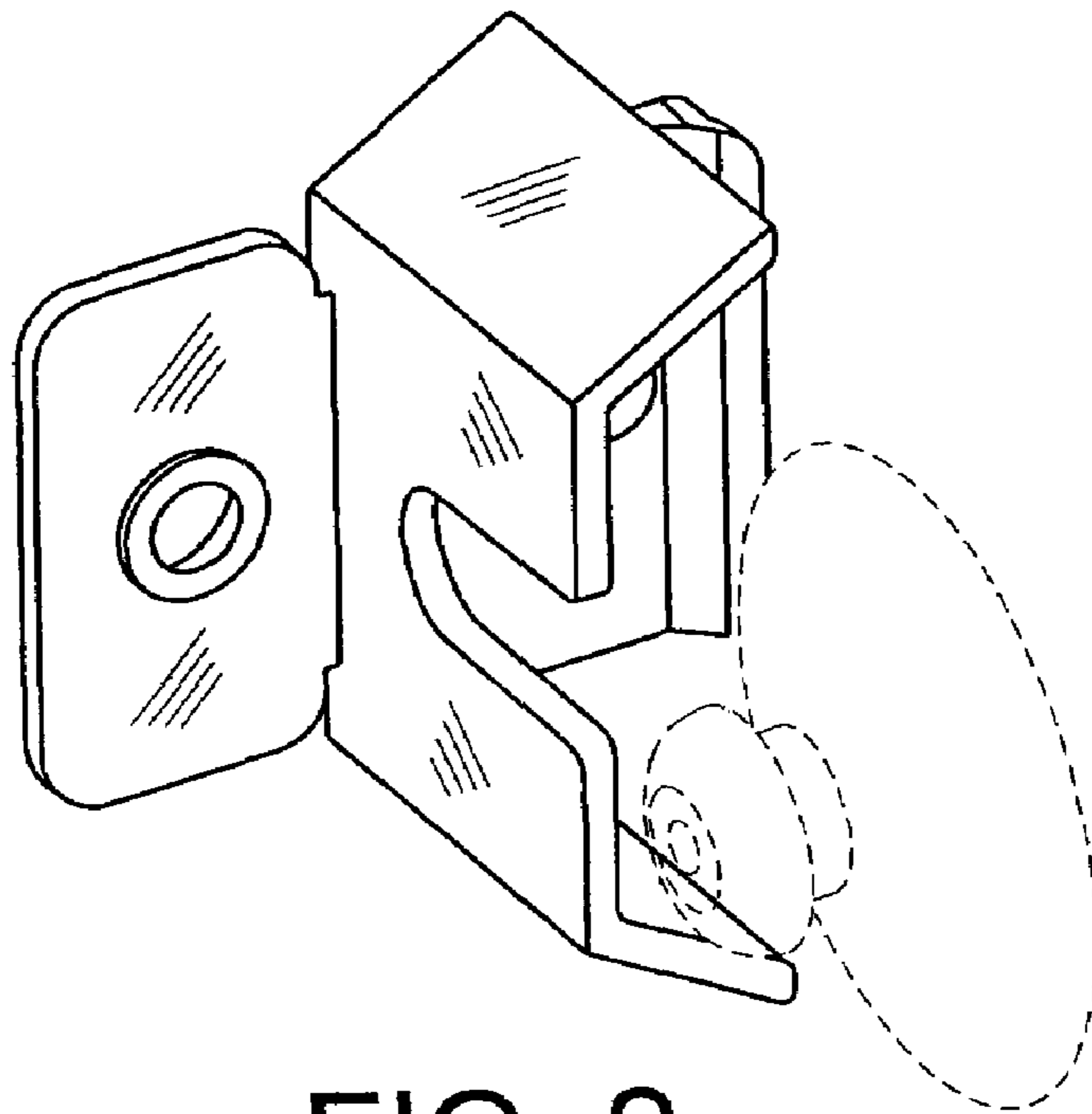


FIG. 2

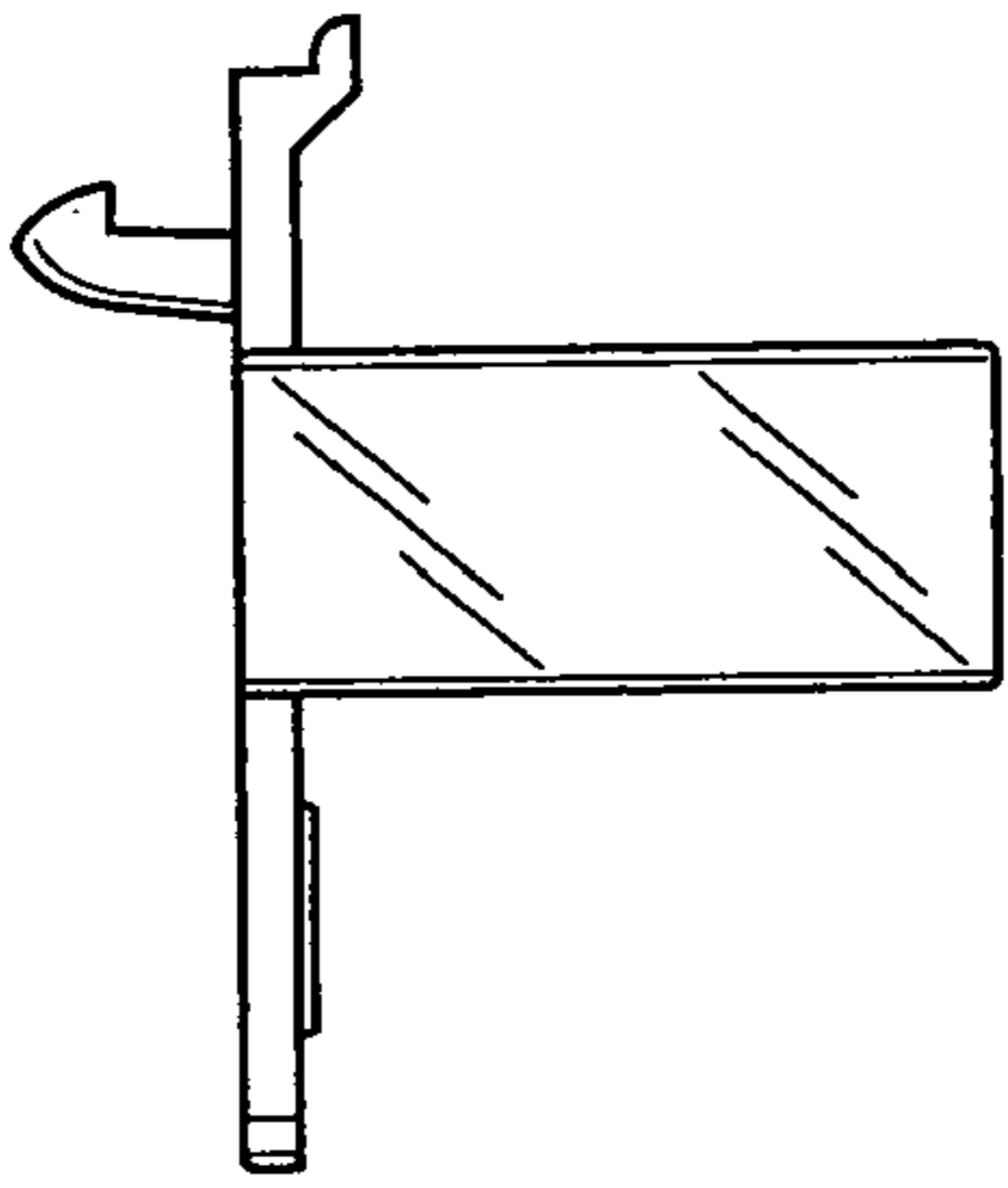


FIG. 3

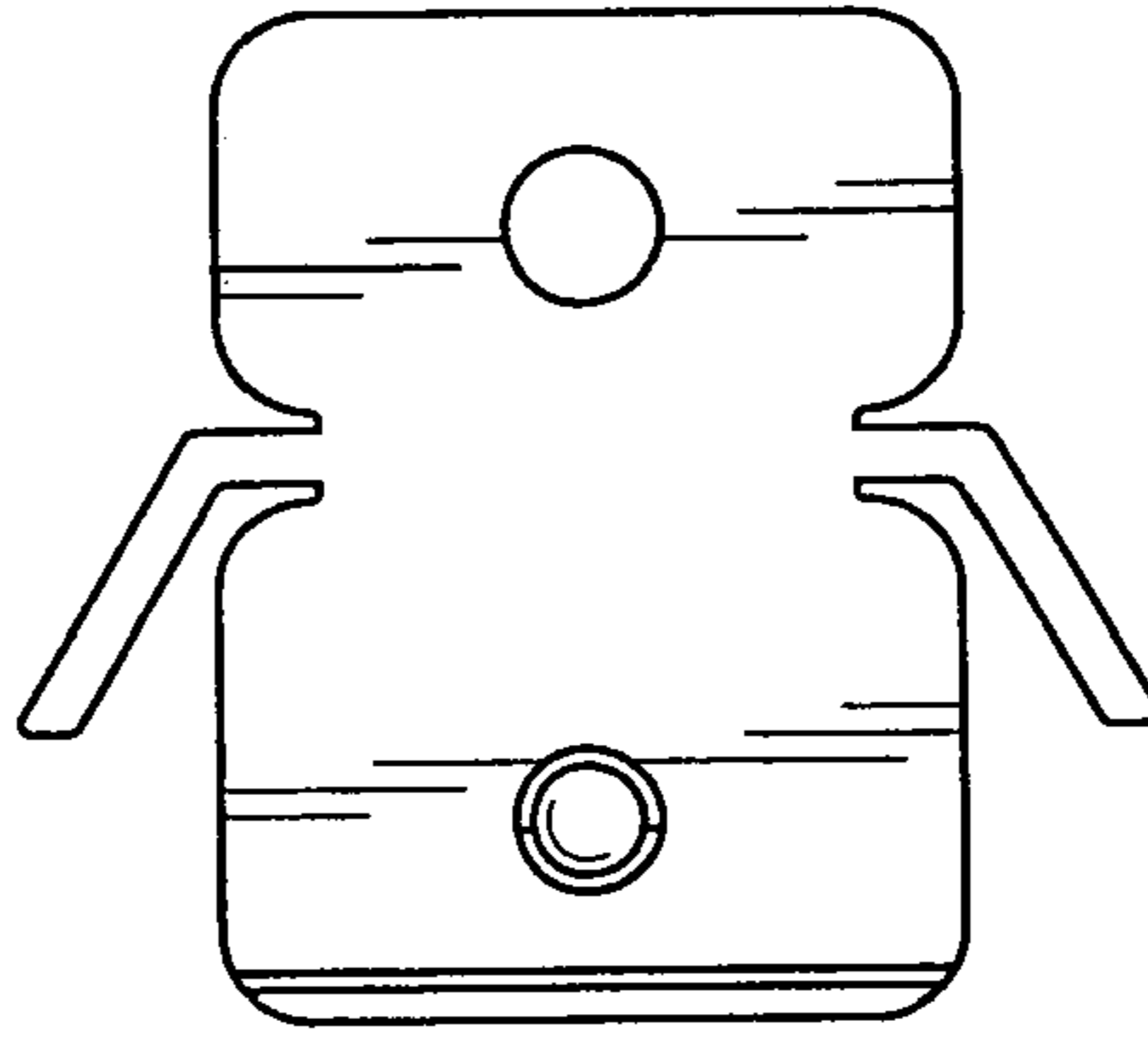


FIG. 7

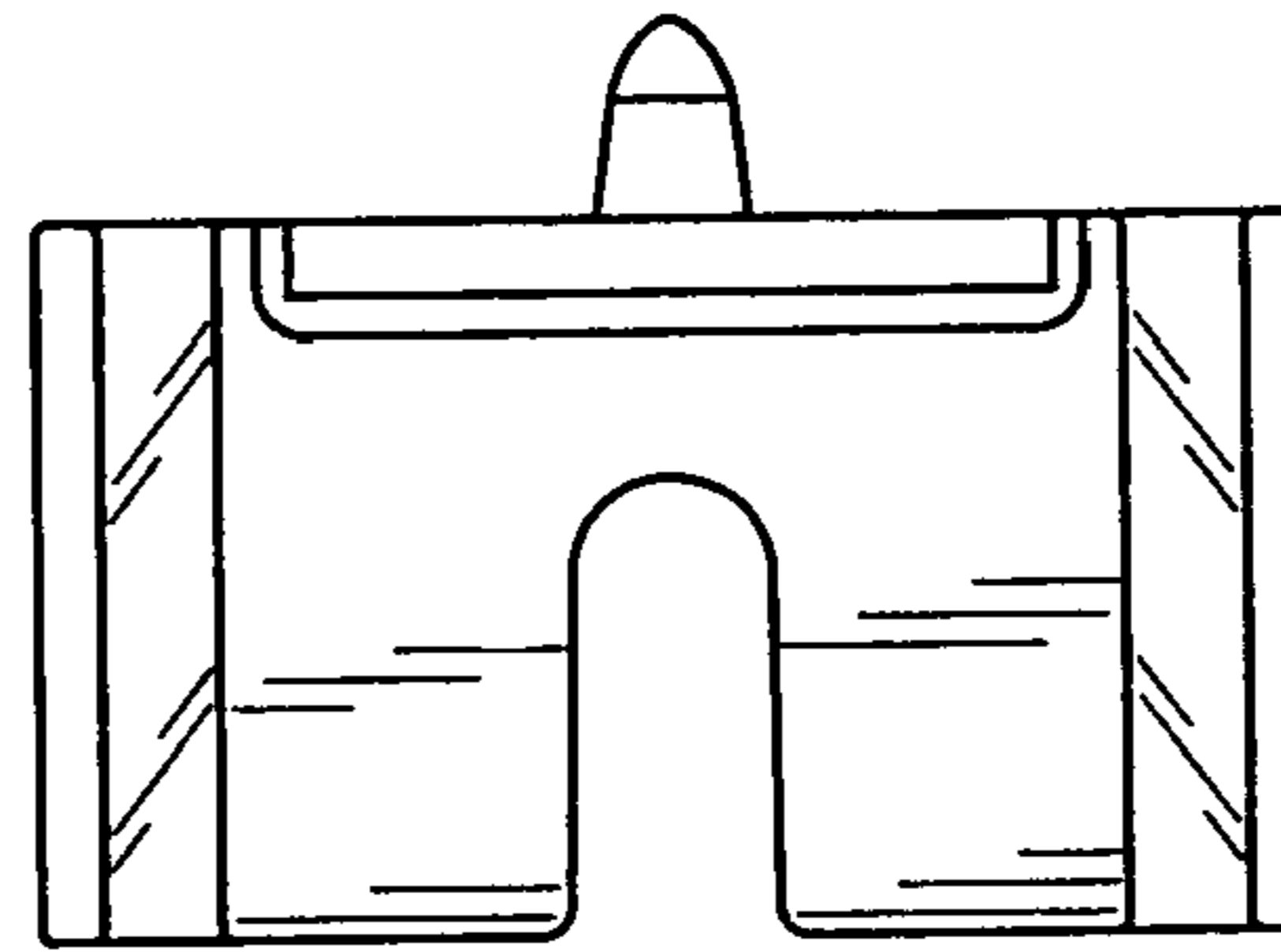


FIG. 6

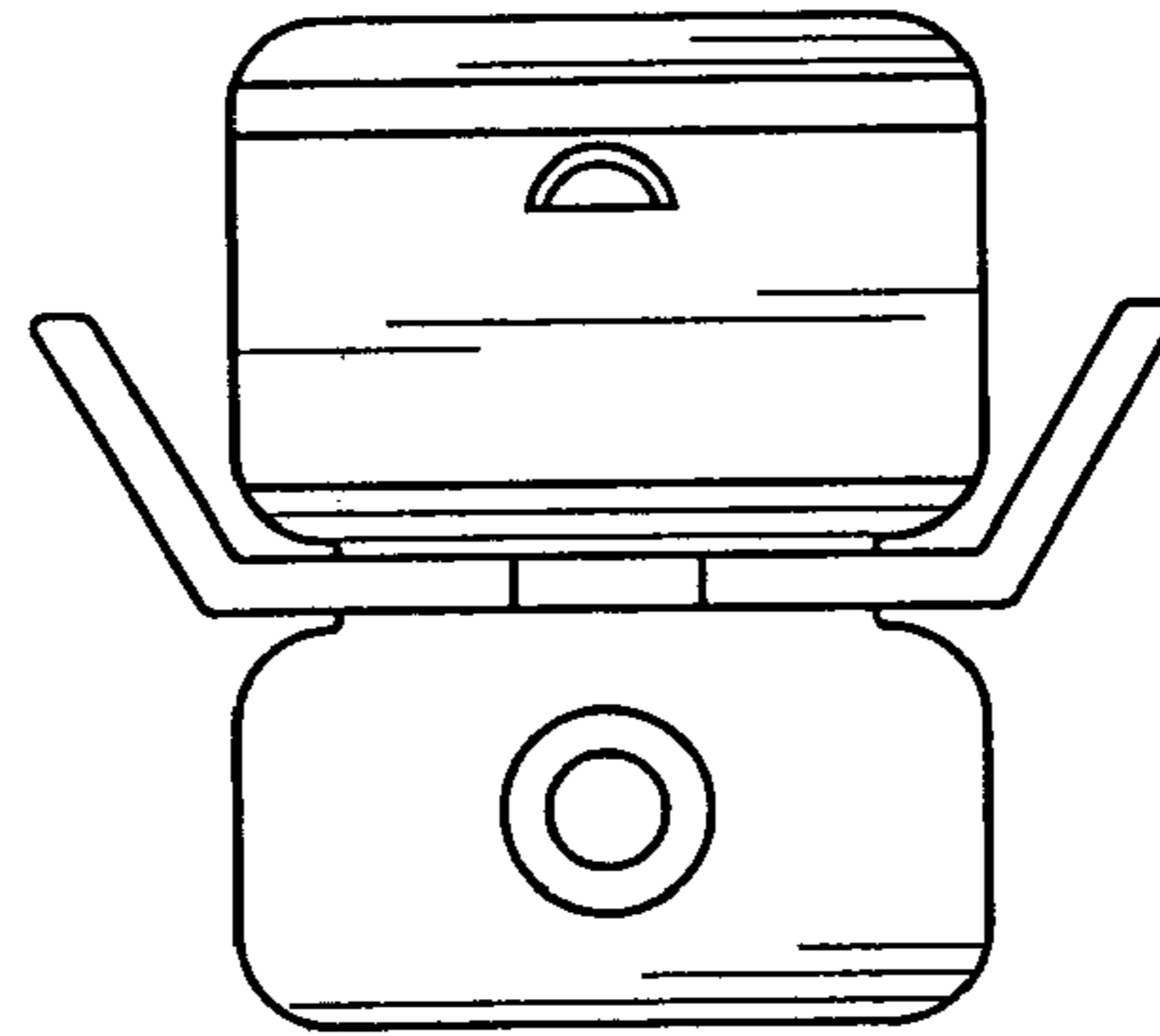


FIG. 4

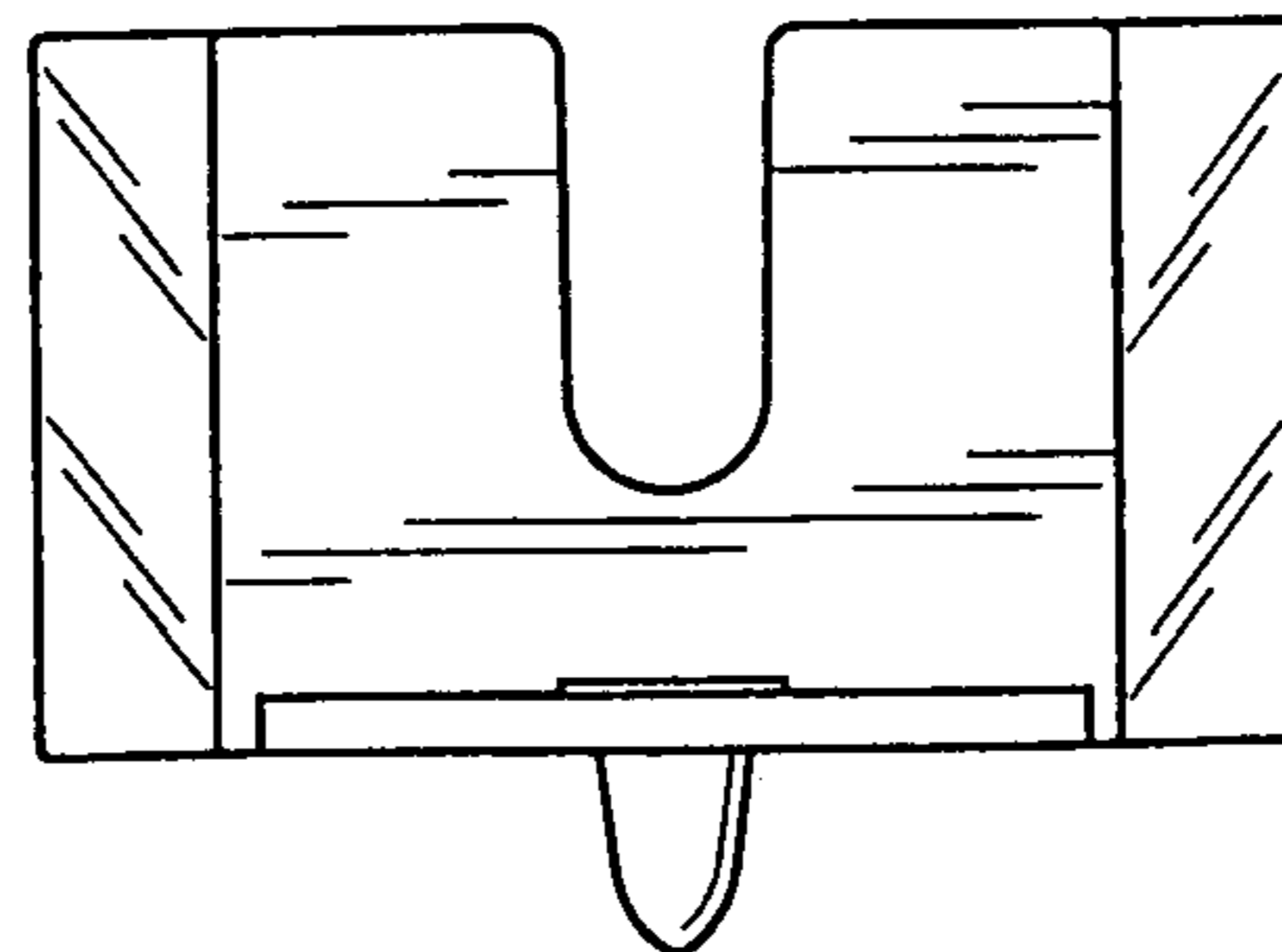


FIG. 5

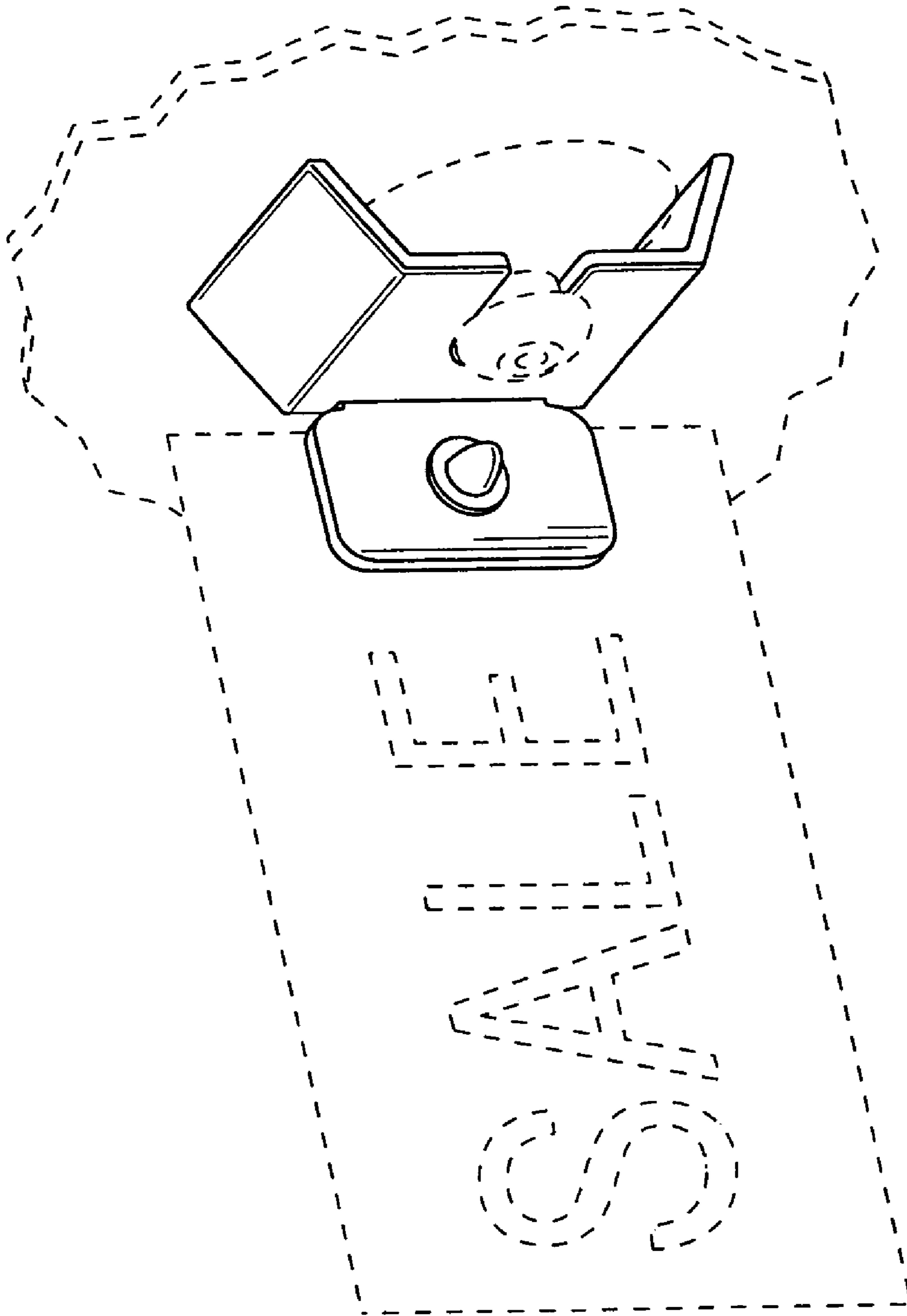


FIG. 8