



US00D547806S

(12) **United States Design Patent**  
**Uemizo**

(10) **Patent No.:** **US D547,806 S**  
(45) **Date of Patent:** **\*\* Jul. 31, 2007**

(54) **BEZEL FOR A DOCUMENT VALIDATOR**

(75) Inventor: **Yoshiaki Uemizo**, Sagamihara (JP)

(73) Assignee: **Japan Cash Machine Co., Ltd.** (JP)

(\*\*) Term: **14 Years**

(21) Appl. No.: **29/256,259**

(22) Filed: **Mar. 16, 2006**

(30) **Foreign Application Priority Data**

Sep. 16, 2005 (JP) ..... 2005-026982

(51) **LOC (8) Cl.** ..... **20-01**

(52) **U.S. Cl.** ..... **D20/8**

(58) **Field of Classification Search** ..... D20/1-9,  
D20/99; 239/28-29; D7/301, 398, 305-308,  
D7/312-313; D23/284; 194/239, 320, 342,  
194/350-352; 221/92, 96, 104, 151, 155,  
221/191, 194

See application file for complete search history.

(56) **References Cited**

**U.S. PATENT DOCUMENTS**

D488,512 S \* 4/2004 Knobel ..... D20/8  
D525,659 S \* 7/2006 Paczkowski et al. .... D20/8  
D526,359 S \* 8/2006 Takeuchi ..... D20/8

\* cited by examiner

*Primary Examiner*—Stacia Cadmus

(74) *Attorney, Agent, or Firm*—Bachman & LaPointe

(57) **CLAIM**

The ornamental design for a bezel for a document validator, as shown and described.

**DESCRIPTION**

FIG. 1 is a front view of a bezel for a document validator according to my new design;

FIG. 2 is a rear view thereof;

FIG. 3 is a right side view thereof;

FIG. 4 is a left side view thereof;

FIG. 5 is a plan view thereof;

FIG. 6 is a bottom view thereof;

FIG. 7 is a front perspective view thereof;

FIG. 8 is a rear perspective view thereof; and,

FIG. 9 is a front perspective view of the bezel attached to a document validator.

The broken line showing of environment is for illustrative purposes only and forms no part of the claimed design.

**1 Claim, 5 Drawing Sheets**

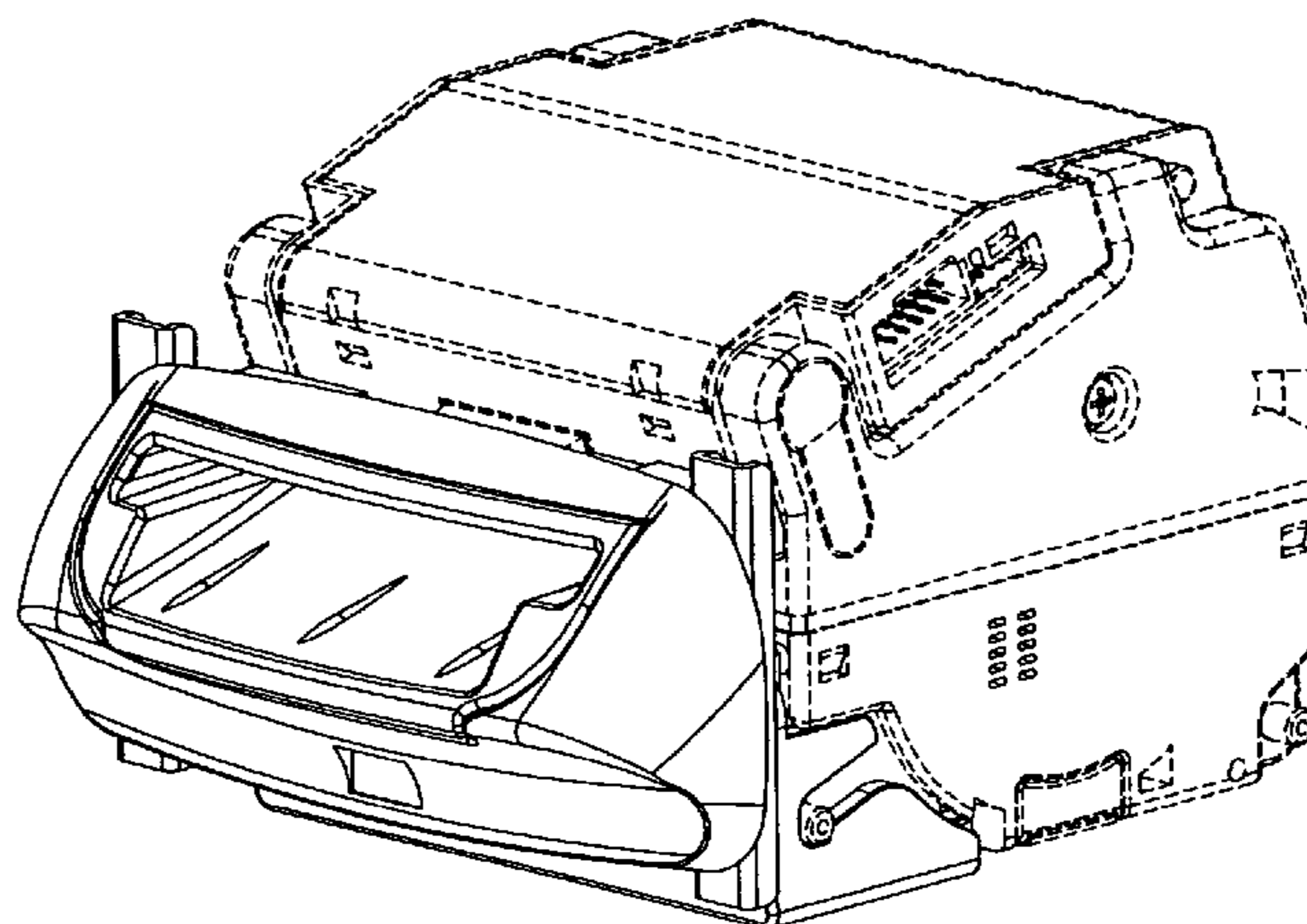
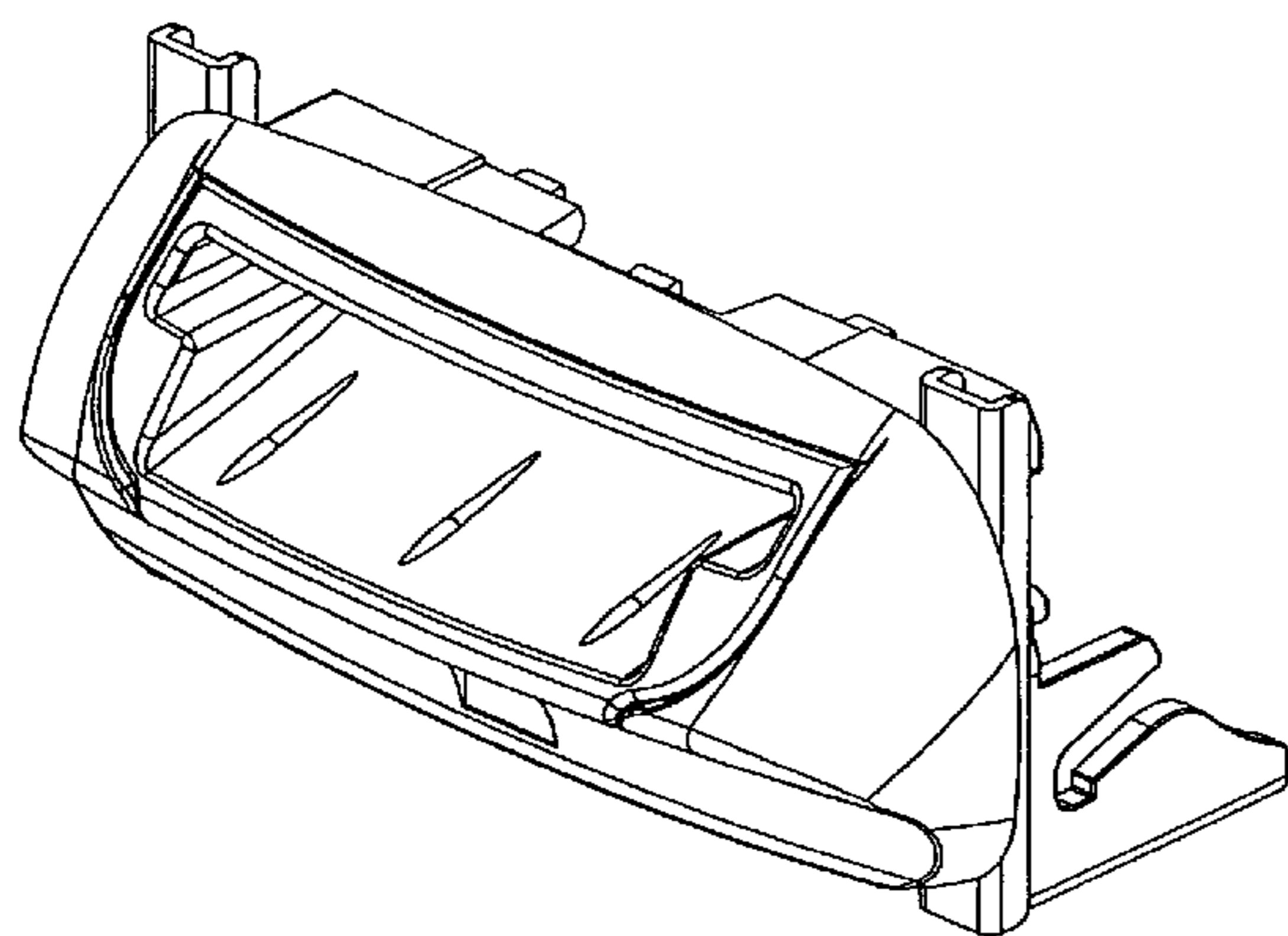


FIG. 1

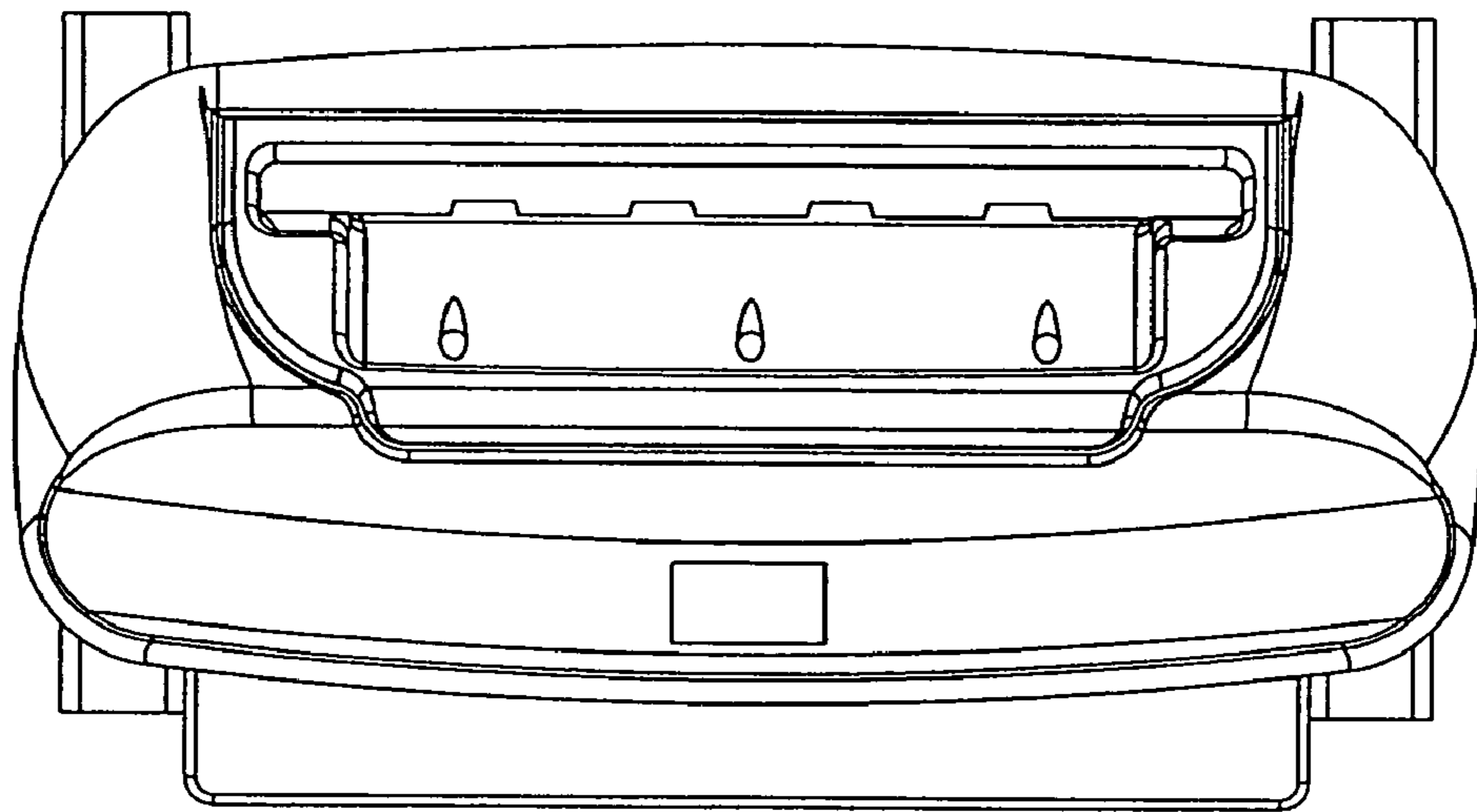


FIG. 2

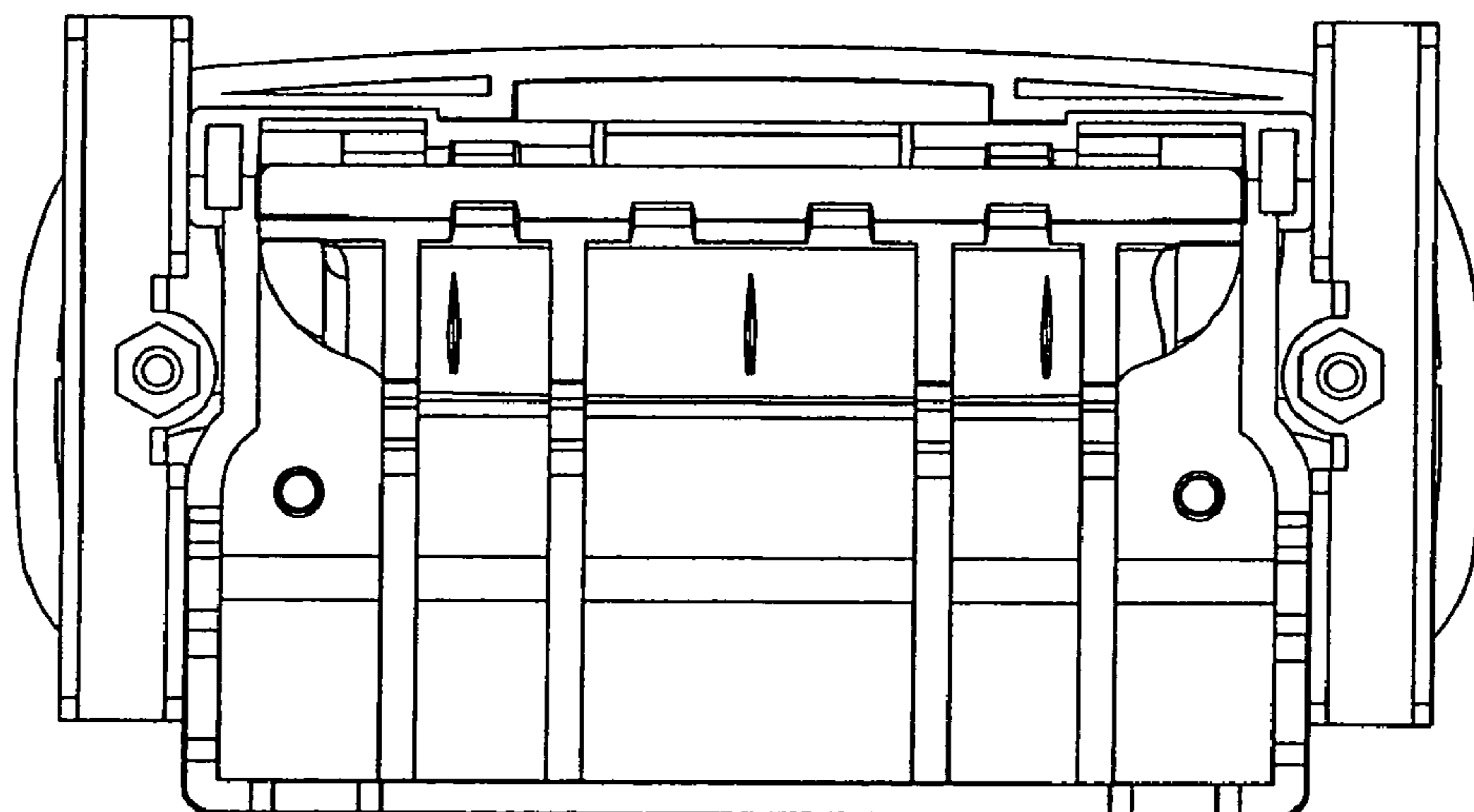


FIG. 3

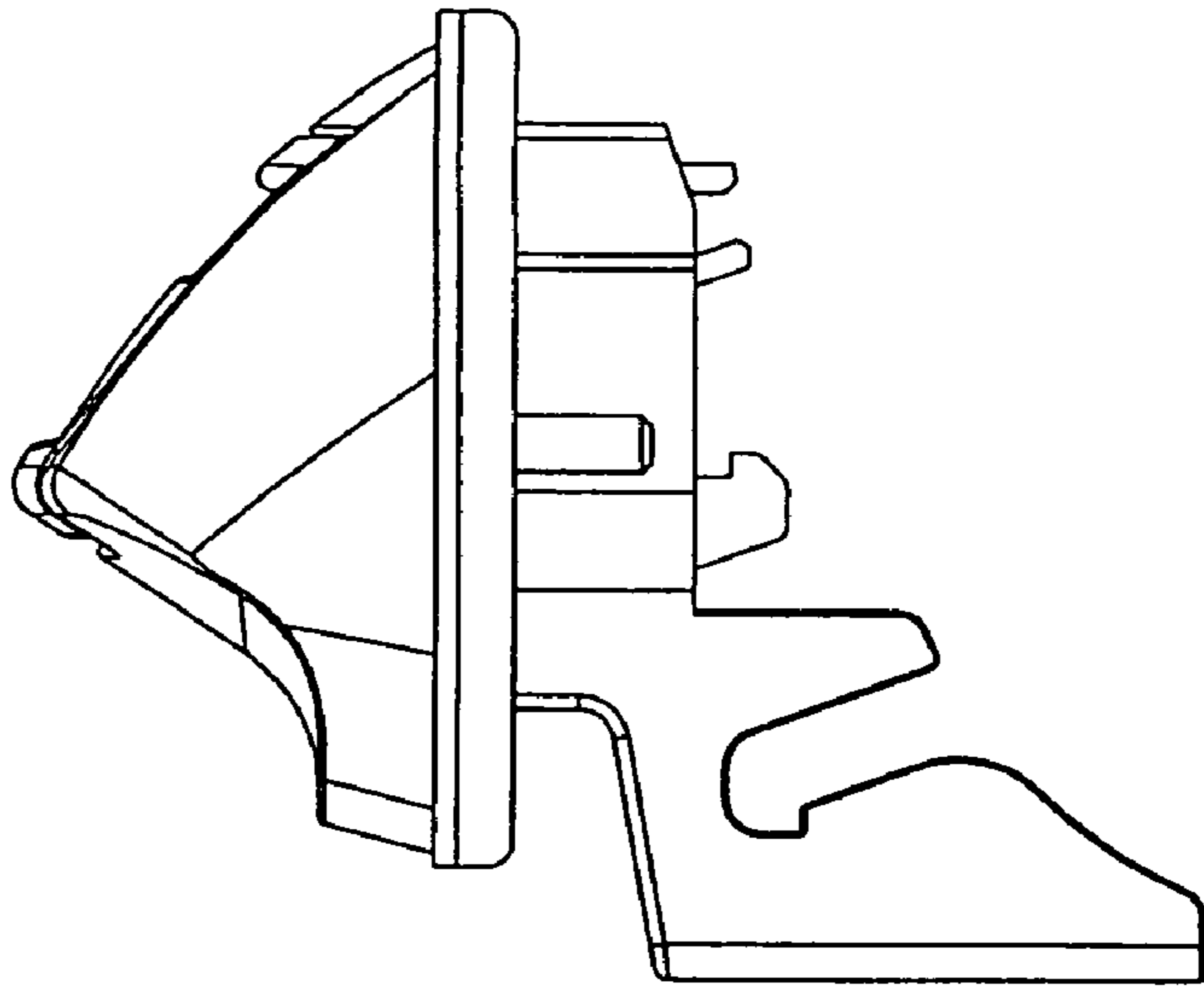


FIG. 4

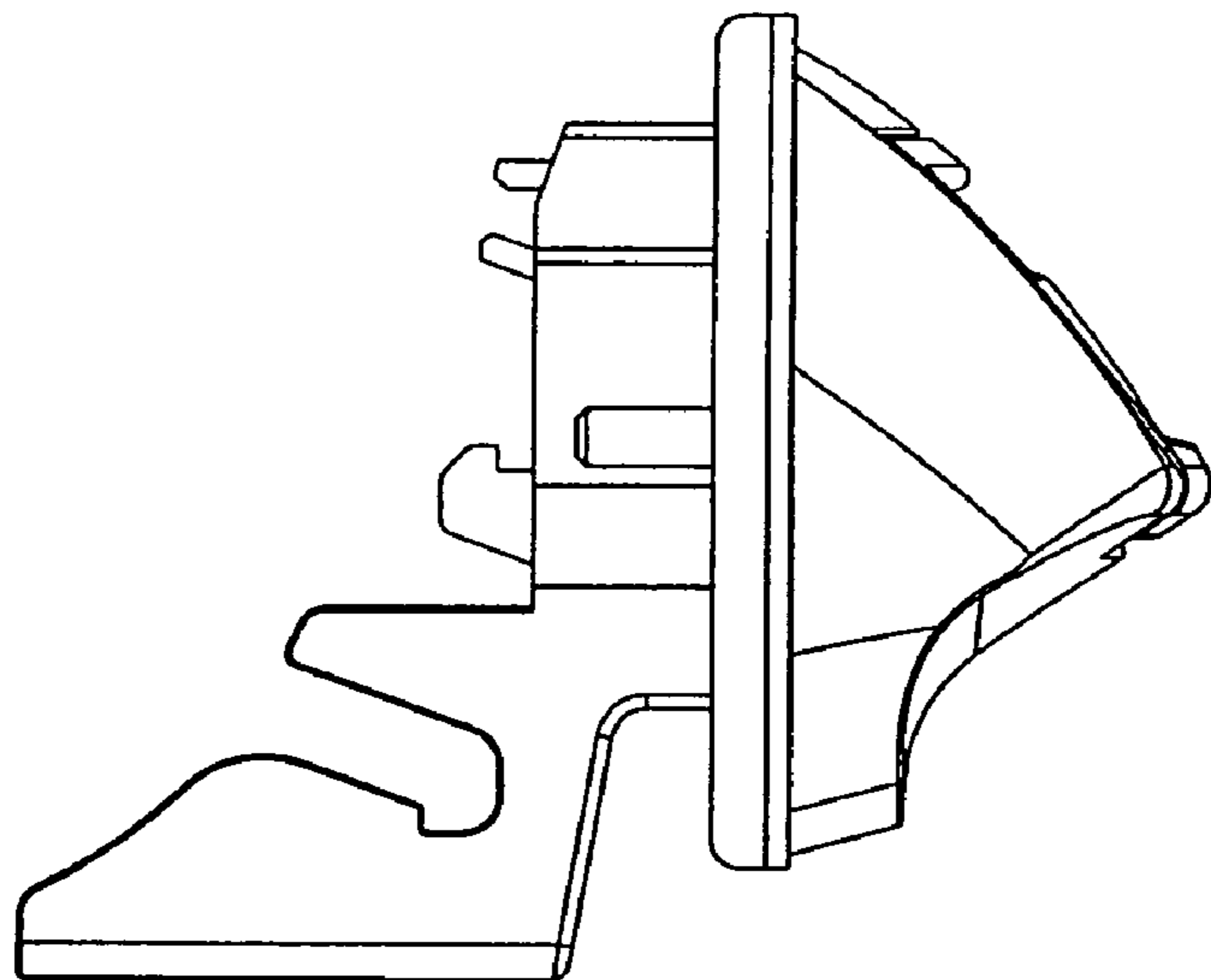


FIG. 5

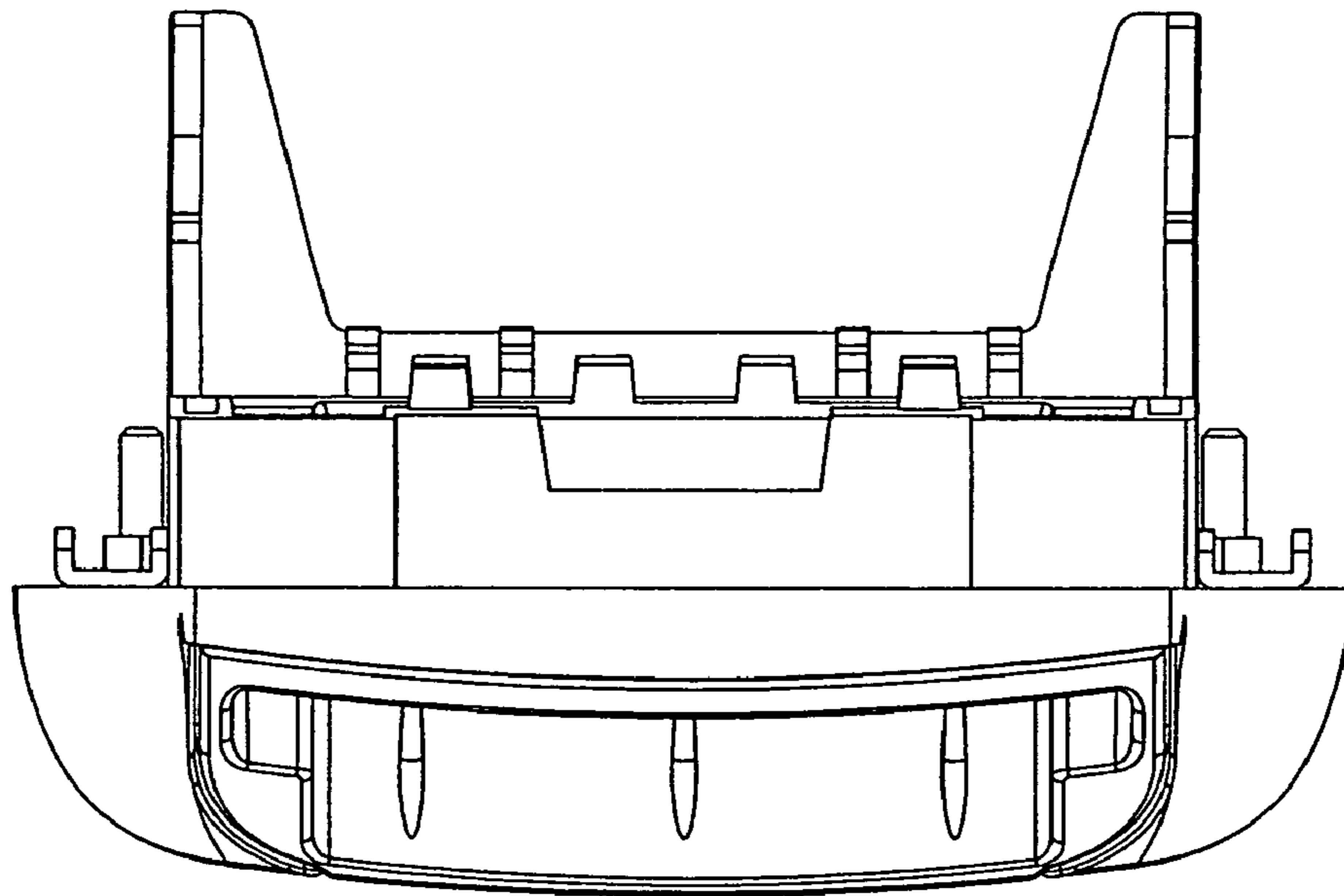


FIG. 6

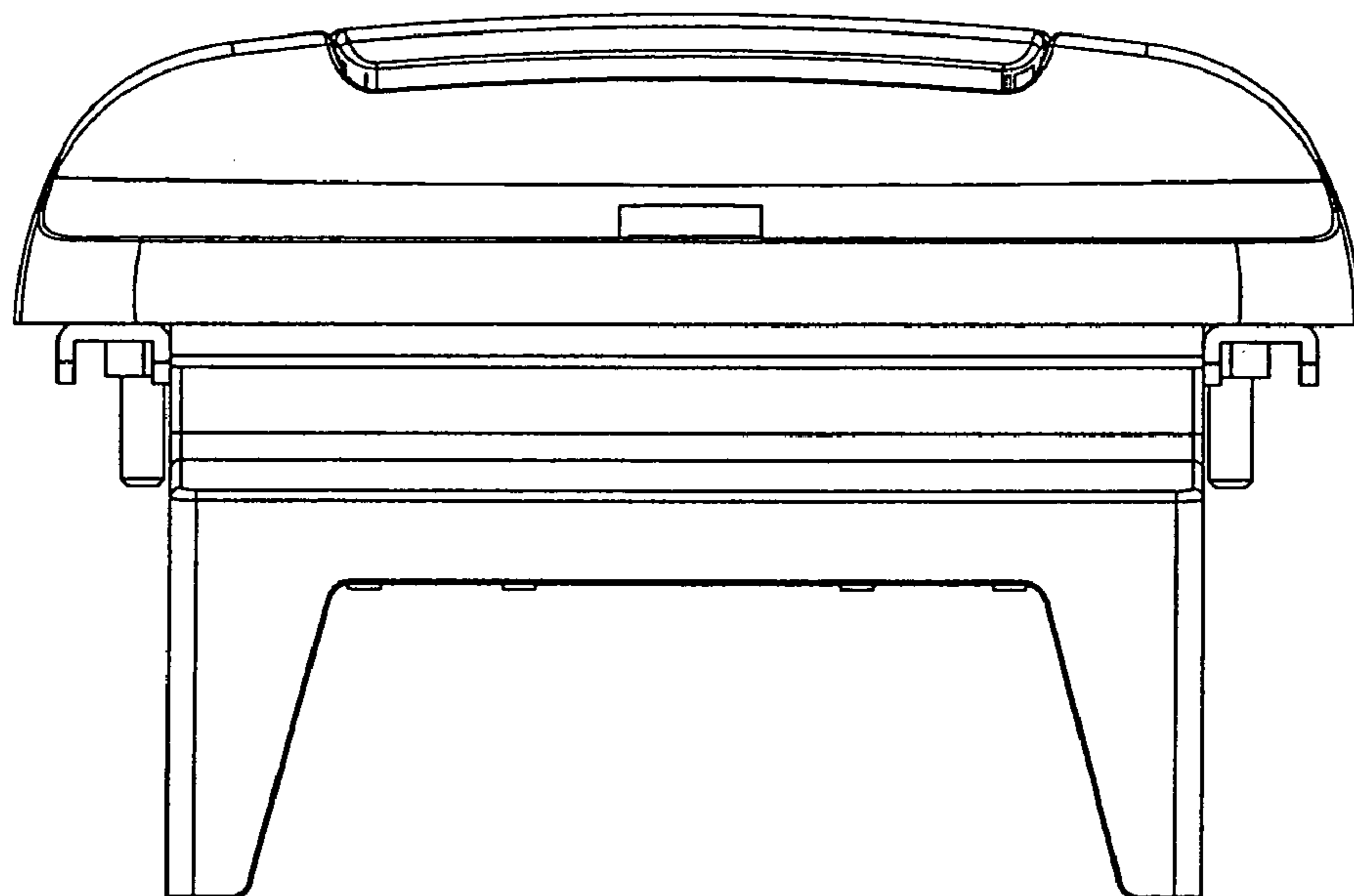


FIG. 7

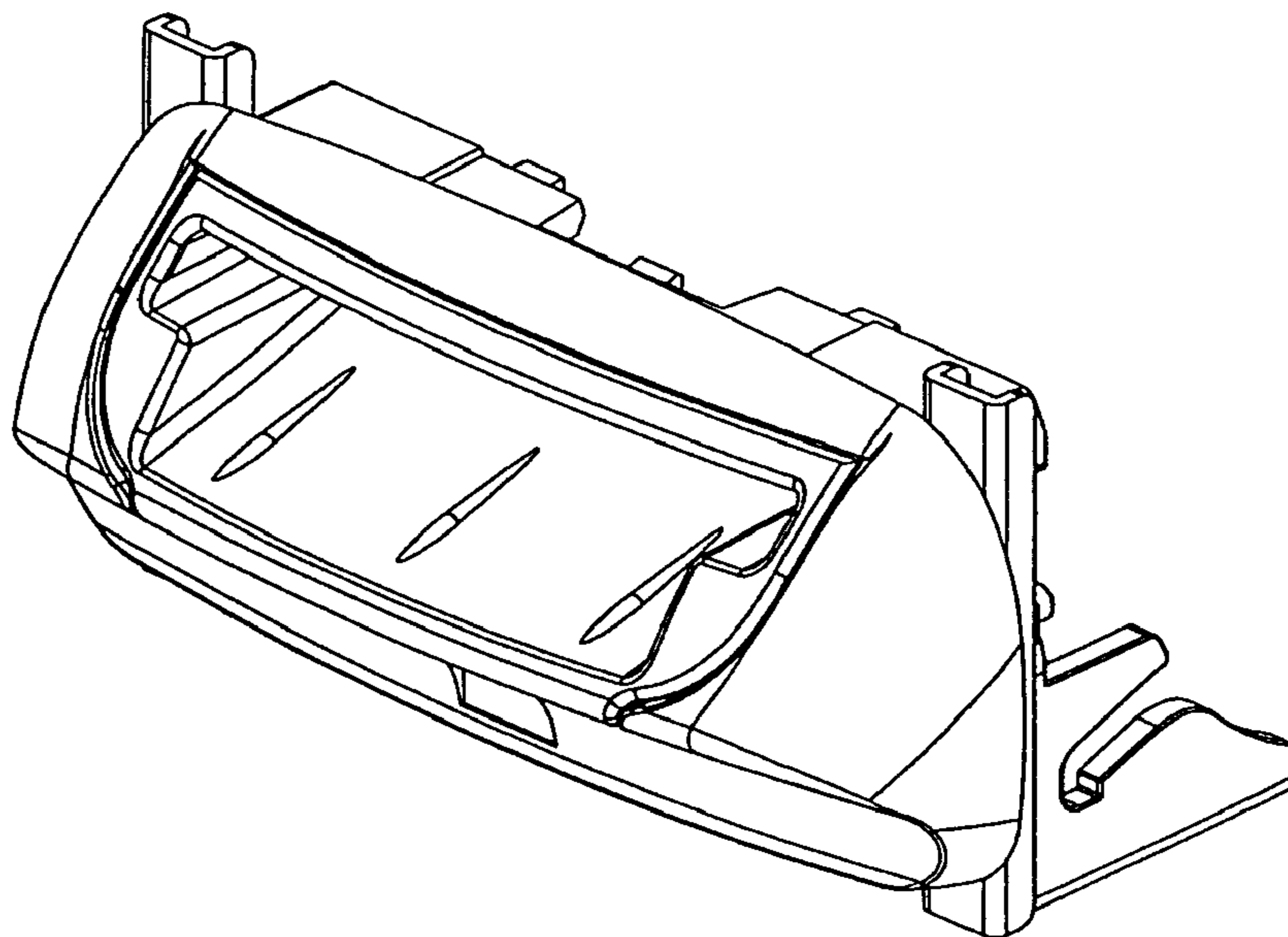
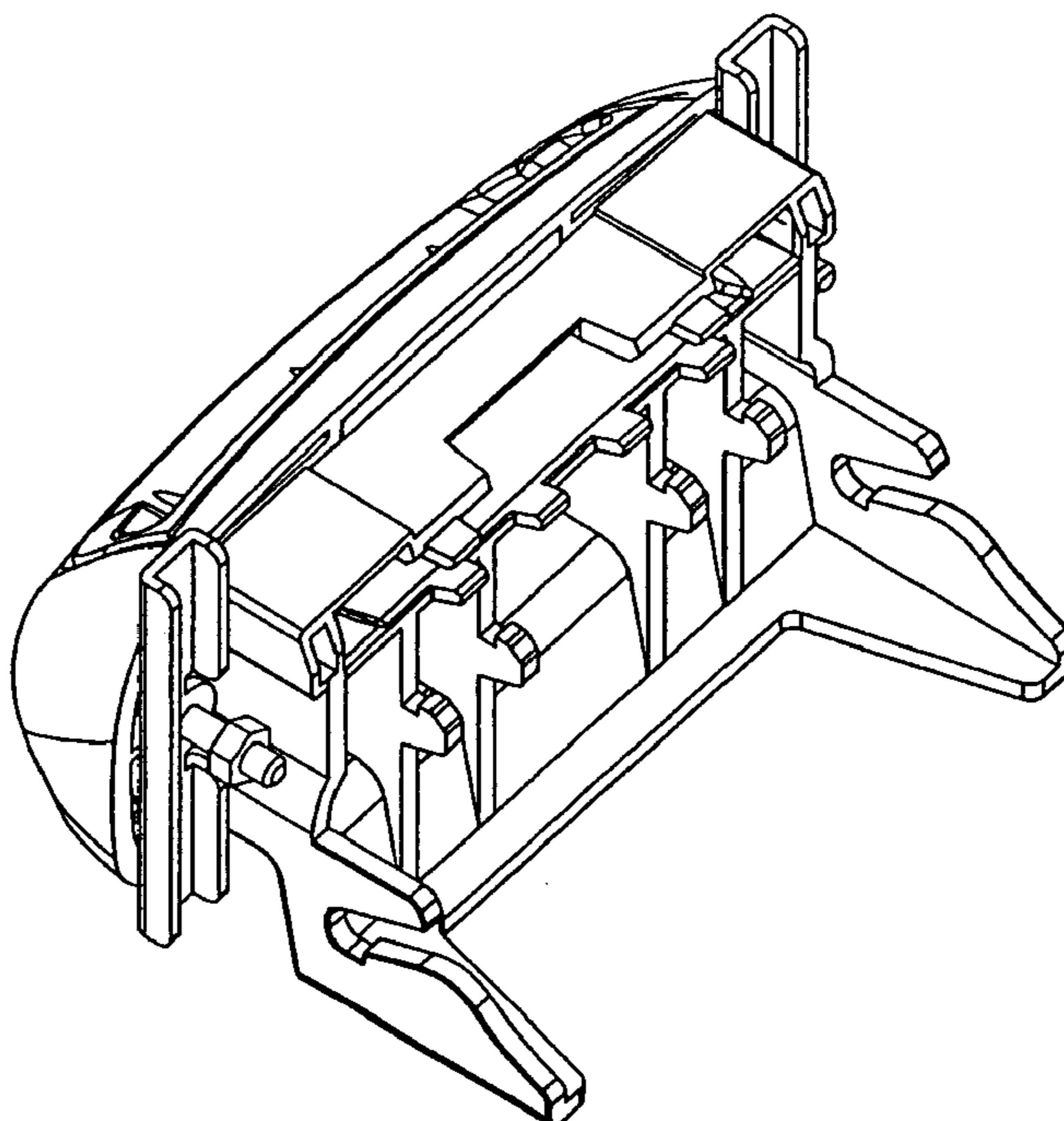


FIG. 8



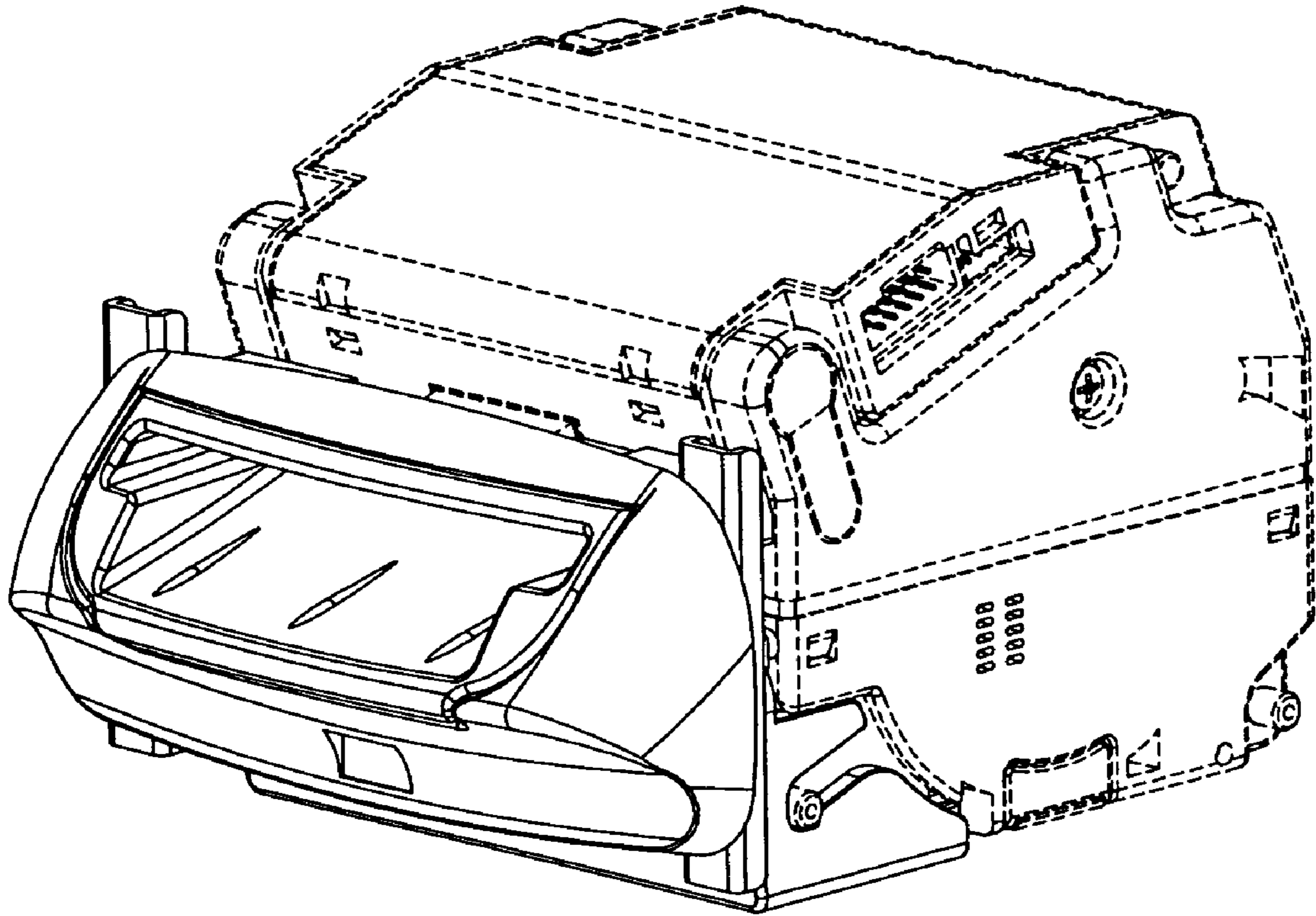


FIG. 9