



US00D547804S

(12) **United States Design Patent**  
**Wu**

(10) **Patent No.:** **US D547,804 S**  
(45) **Date of Patent:** **\*\* Jul. 31, 2007**

- (54) **CORRECTION TAPE DISPENSER**
- (75) Inventor: **Cheng-Loung Wu**, Chang Hua (TW)
- (73) Assignee: **SDI Corporation**, Chang Hua (TW)
- (\*\*) Term: **14 Years**
- (21) Appl. No.: **29/268,276**
- (22) Filed: **Nov. 2, 2006**
- (51) **LOC (8) Cl.** ..... **19-02**
- (52) **U.S. Cl.** ..... **D19/69**
- (58) **Field of Classification Search** ..... D19/66,  
D19/67, 68, 69, 70; 156/523, 257, 540, 577;  
206/411; 225/6, 25, 39, 77; 242/588, 588.1,  
242/588.2, 588.3, 588.6, 598.5  
See application file for complete search history.

- (56) **References Cited**  
U.S. PATENT DOCUMENTS
- 5,772,840 A \* 6/1998 Morinaga ..... 156/540
- 6,000,455 A \* 12/1999 Semmler ..... 156/540
- 6,461,068 B1 \* 10/2002 Holmes ..... 401/17
- D467,617 S \* 12/2002 Soetewey ..... D19/69
- D475,747 S \* 6/2003 Ono ..... D19/69
- 6,732,782 B2 \* 5/2004 Rollion ..... 156/577
- D491,986 S \* 6/2004 Bain ..... D19/69
- D501,032 S \* 1/2005 Kah ..... D19/69
- D506,508 S \* 6/2005 Shimizu et al. .... D19/69
- 6,997,229 B2 \* 2/2006 Marschand et al. .... 156/577
- 7,063,120 B2 \* 6/2006 Huthmacher et al. .... 156/577
- D532,457 S \* 11/2006 Chen ..... D19/69

- 2003/0062135 A1 \* 4/2003 Takahashi ..... 156/577
- 2005/0056376 A1 \* 3/2005 Marschand et al. .... 156/540
- 2005/0072529 A1 \* 4/2005 Yonezawa et al. .... 156/540
- 2006/0257195 A1 \* 11/2006 Chen ..... 400/697

\* cited by examiner

*Primary Examiner*—Cathron C. Brooks  
*Assistant Examiner*—Austin Murphy  
(74) *Attorney, Agent, or Firm*—Alan D. Kamrath; Nikolai & Mersereau, P.A.

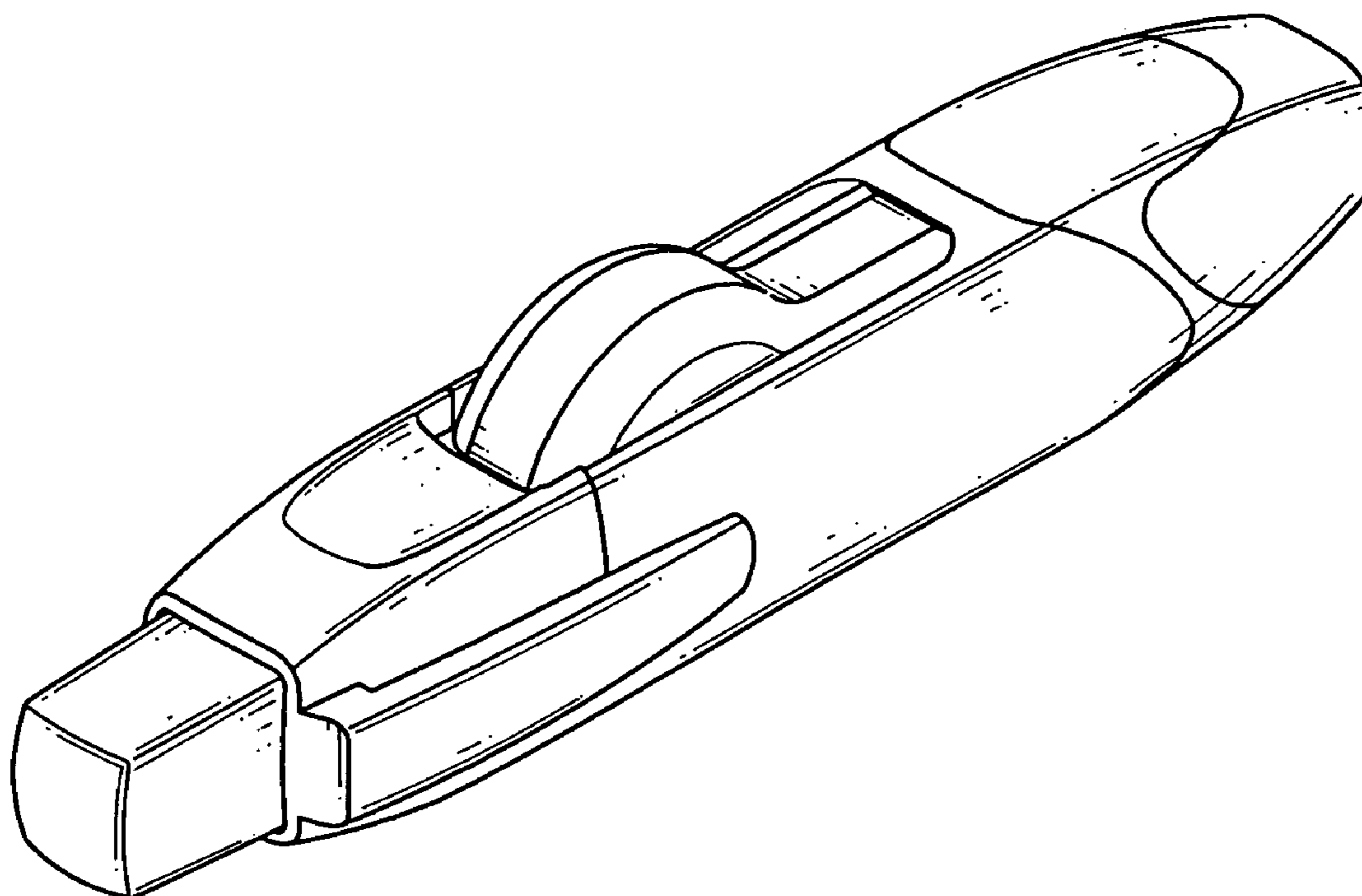
(57) **CLAIM**

The ornamental design for a correction tape dispenser, as shown and described.

**DESCRIPTION**

FIG. 1 is a perspective view of a correction tape dispenser showing my new design;  
FIG. 2 is a front view thereof;  
FIG. 3 is a rear view thereof;  
FIG. 4 is a left view thereof;  
FIG. 5 is a right view thereof;  
FIG. 6 is top plan view thereof;  
FIG. 7 is a bottom plan view thereof; and,  
FIG. 8 is a front view of the correction tape dispenser with an applicator tip extended, wherein the broken lines are shown for illustrative purposes only and form no part of the claimed design.

**1 Claim, 5 Drawing Sheets**



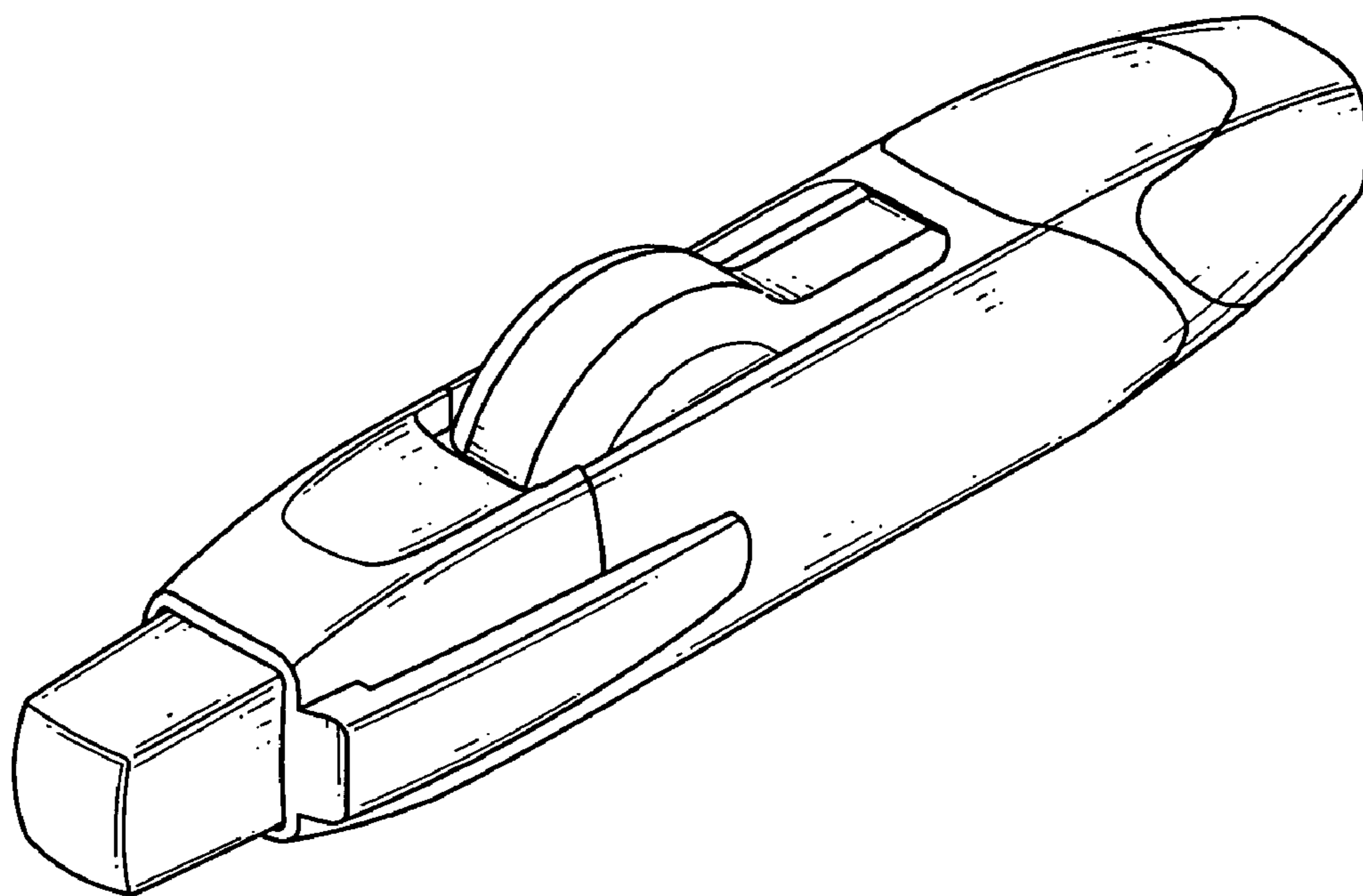


FIG. 1

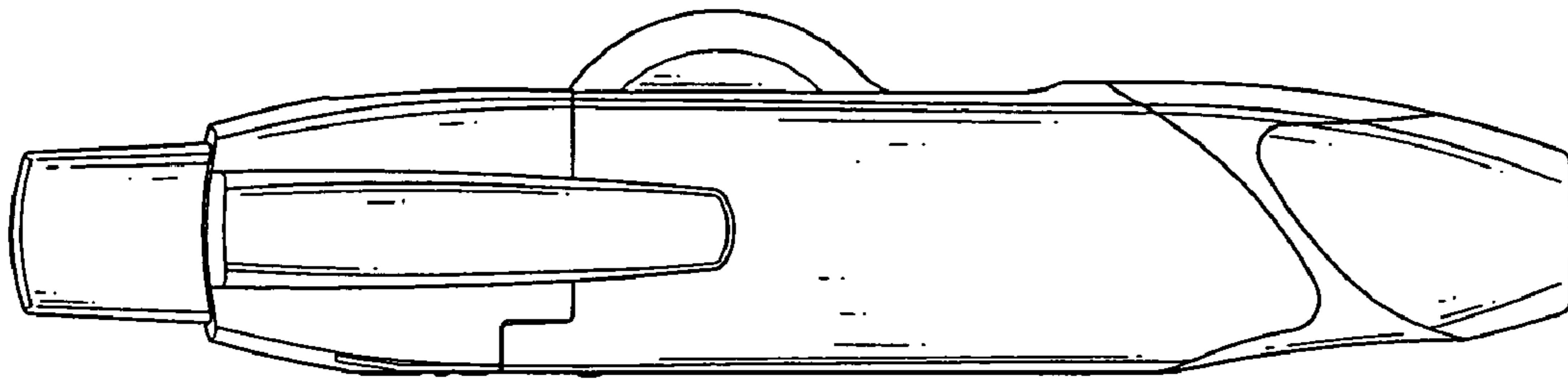


FIG. 2

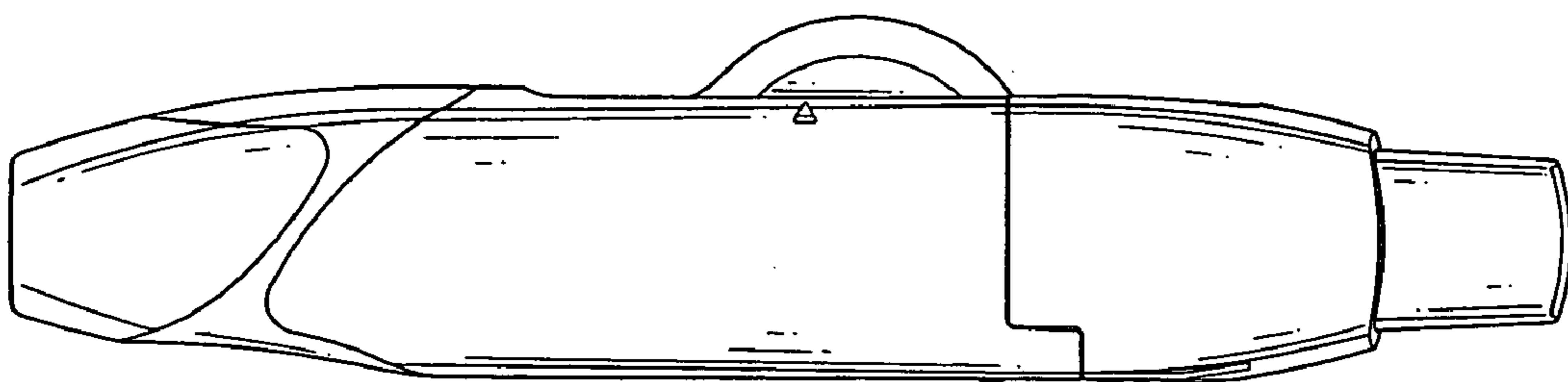


FIG. 3

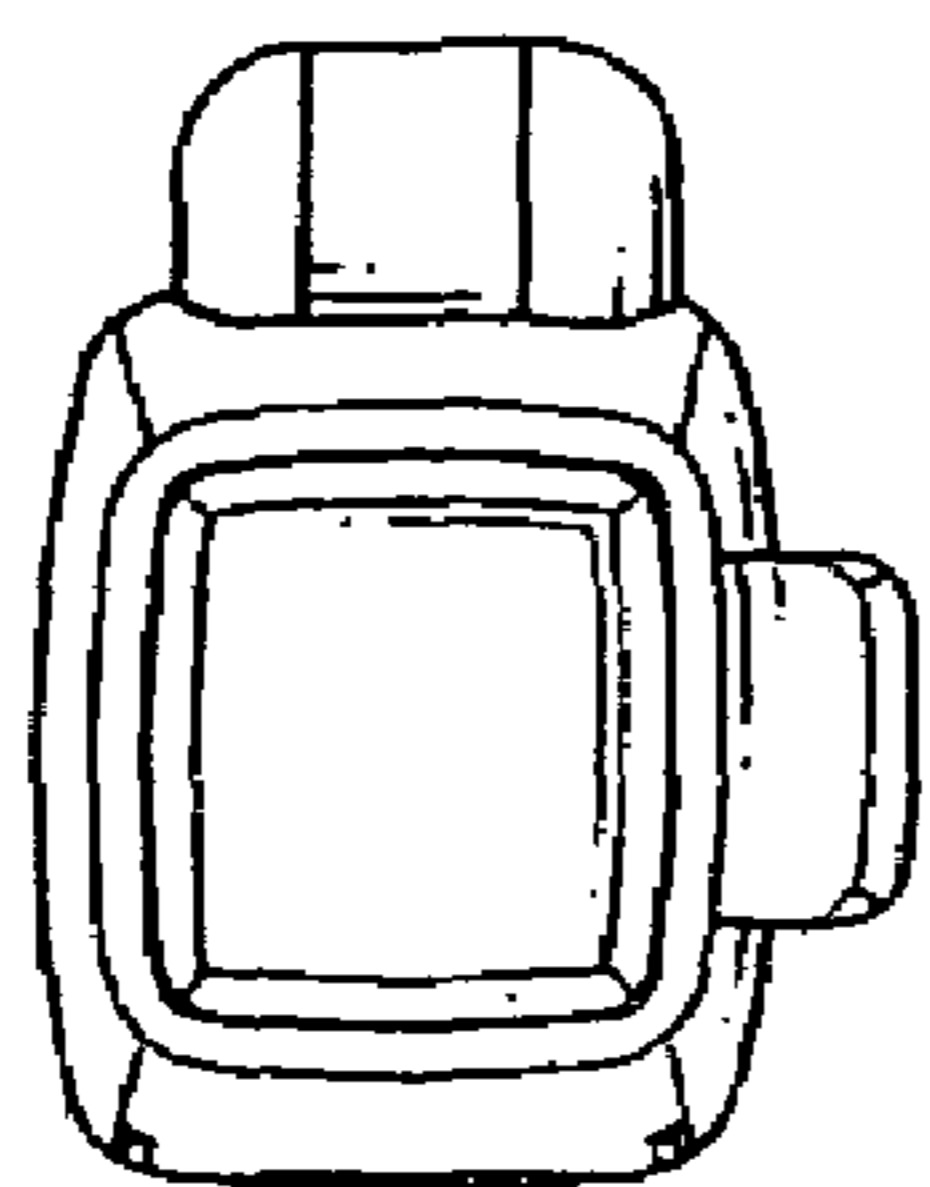


FIG. 4

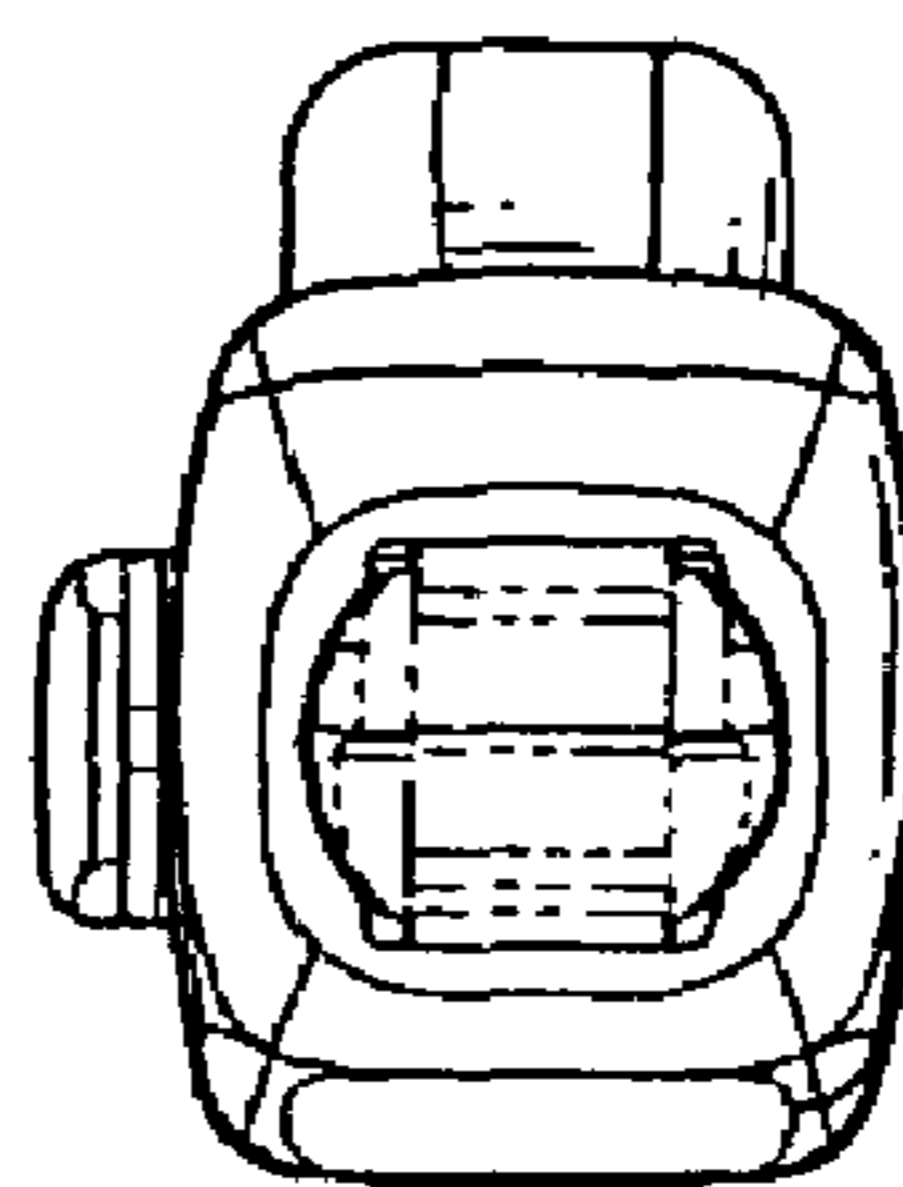


FIG. 5

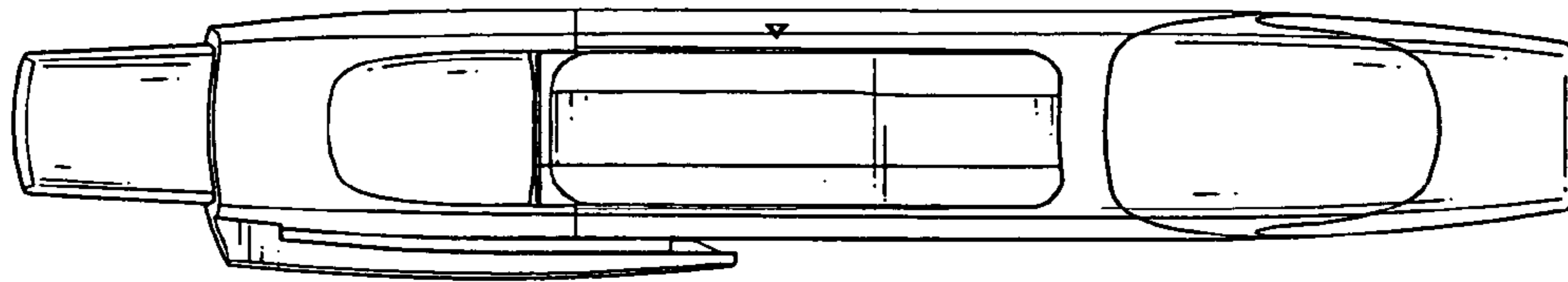


FIG. 6

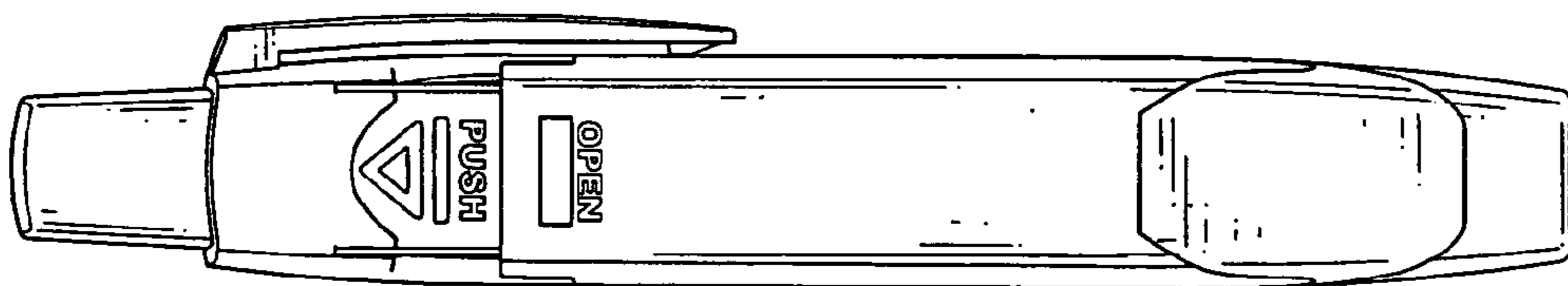


FIG. 7

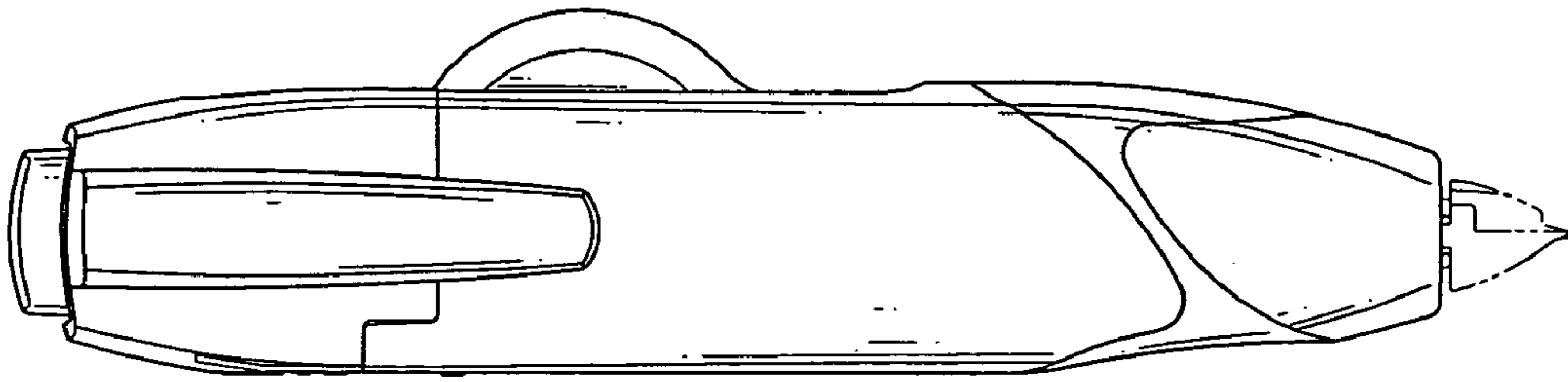


FIG. 8