



US00D547802S

(12) **United States Design Patent**  
**Jeon**

(10) **Patent No.:** **US D547,802 S**

(45) **Date of Patent:** **\*\* Jul. 31, 2007**

(54) **BALLPOINT PEN**

(75) Inventor: **Kwang Taek Jeon**, Seongnam-si (KR)

(73) Assignee: **Dong-A-Pencil Co., Ltd.**, Seoul (KR)

(\*\*) Term: **14 Years**

(21) Appl. No.: **29/243,086**

(22) Filed: **Nov. 21, 2005**

(30) **Foreign Application Priority Data**

Aug. 9, 2005 (KR) ..... 30-2005-0026667

(51) **LOC (8) Cl.** ..... **19-06**

(52) **U.S. Cl.** ..... **D19/43**

(58) **Field of Classification Search** ..... D19/35,  
D19/36, 41-51, 54-57; 24/11 R, 11 F, 11 P;  
401/52, 99, 100, 104, 105, 106, 107, 108,  
401/109, 192, 195, 196

See application file for complete search history.

(56) **References Cited**

U.S. PATENT DOCUMENTS

- D234,225 S \* 1/1975 Ito ..... D10/48
- D319,845 S \* 9/1991 Grotzsch et al. .... D19/48
- 5,221,152 A \* 6/1993 Chuang ..... 401/57
- D345,578 S \* 3/1994 Zier ..... D19/48
- D366,498 S \* 1/1996 Abe et al. .... D19/51
- D389,863 S \* 1/1998 Nguyen ..... D19/48
- 5,716,152 A \* 2/1998 Kudo ..... 401/199
- 5,897,266 A \* 4/1999 Robert ..... 401/202
- 5,984,550 A \* 11/1999 Chuang ..... 401/57
- D430,212 S \* 8/2000 Keda ..... D19/57
- D462,990 S \* 9/2002 Hwang ..... D19/43

- D465,519 S \* 11/2002 Kennedy et al. .... D19/43
- D483,067 S \* 12/2003 Takashi ..... D19/43
- D487,770 S \* 3/2004 Hwang ..... D19/43
- D487,771 S \* 3/2004 Hwang ..... D19/43
- D497,643 S \* 10/2004 Nishida ..... D19/51
- D499,138 S \* 11/2004 Banderet ..... D19/43
- D509,536 S \* 9/2005 Nishida ..... D19/43
- D534,958 S \* 1/2007 Nishida ..... D19/51

\* cited by examiner

*Primary Examiner*—Elizabeth A. Albert

(74) *Attorney, Agent, or Firm*—Roylance, Abrams, Berdo & Goodman, L.L.P.

(57) **CLAIM**

The ornamental design for a ballpoint pen, as shown and described.

**DESCRIPTION**

FIG. 1 is a perspective view of a ballpoint pen showing my new design;

FIG. 2 is a front view thereof, the rear view being a mirror image;

FIG. 3 is a left side view thereof;

FIG. 4 is a right side view thereof;

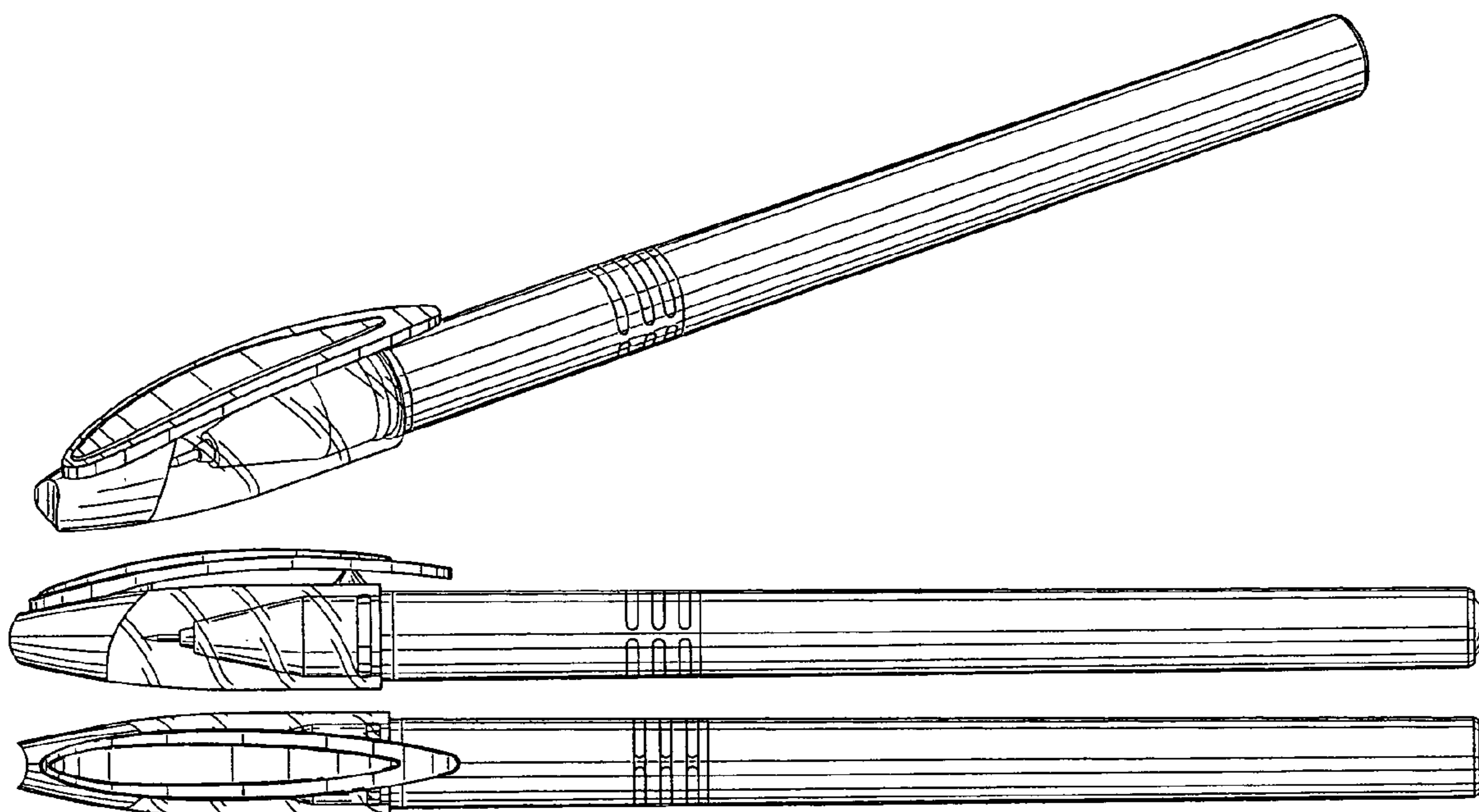
FIG. 5 is a top plan view thereof;

FIG. 6 is a bottom plan view thereof; and,

FIG. 7 is a perspective view in using state thereof.

The cap is of a transparent body except clip and the part connected with clip. The material is plastic.

**1 Claim, 5 Drawing Sheets**



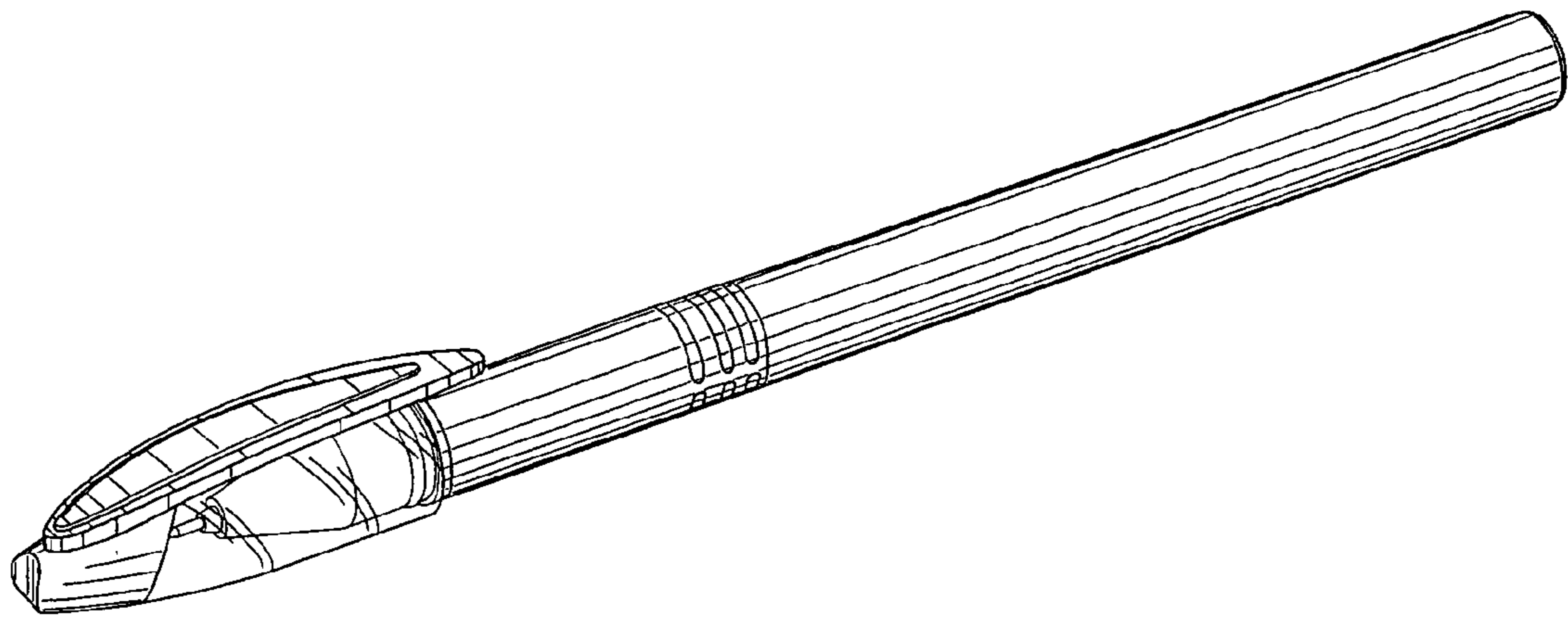


FIG. 1

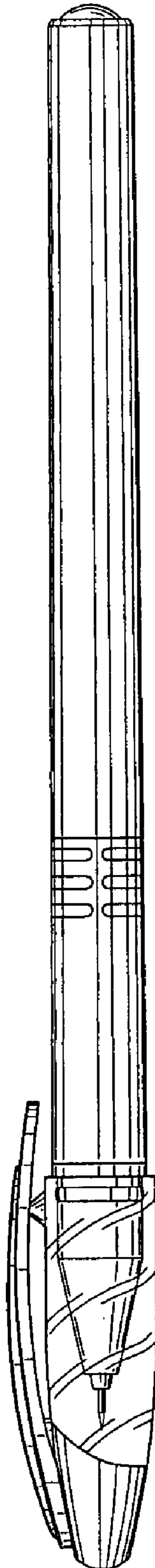


FIG. 2

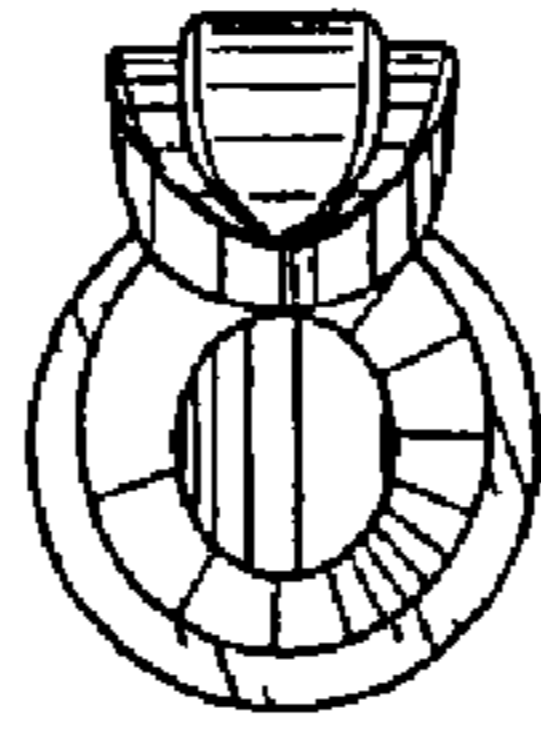


FIG. 3

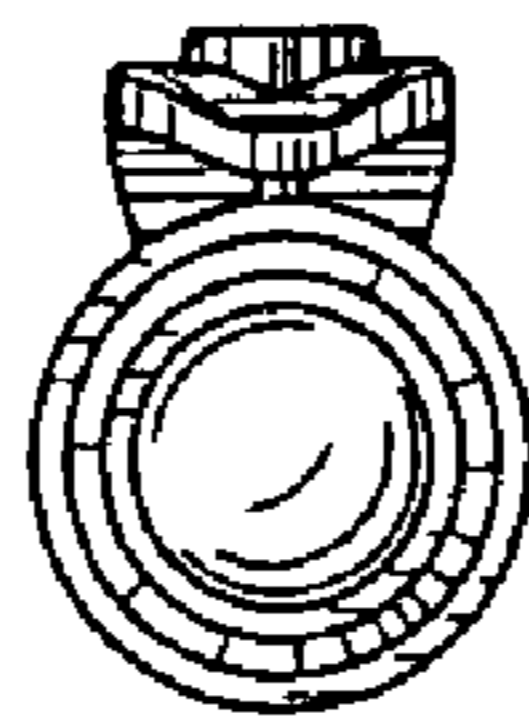


FIG. 4

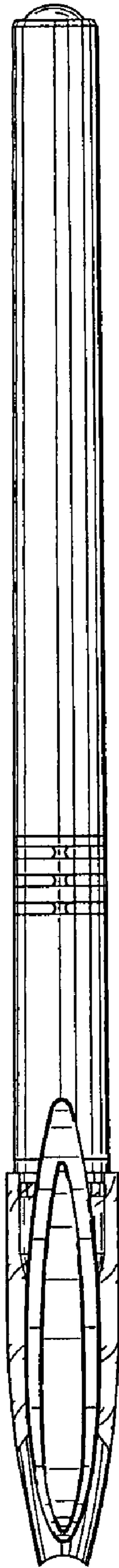


FIG. 5

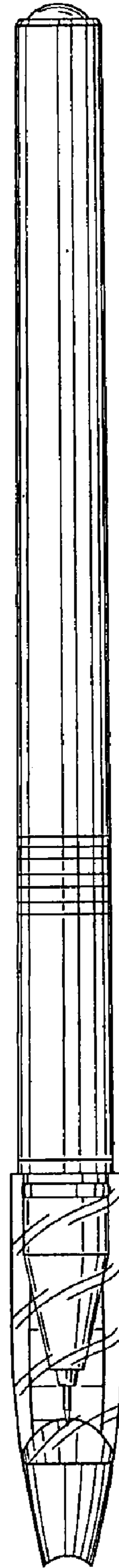


FIG. 6

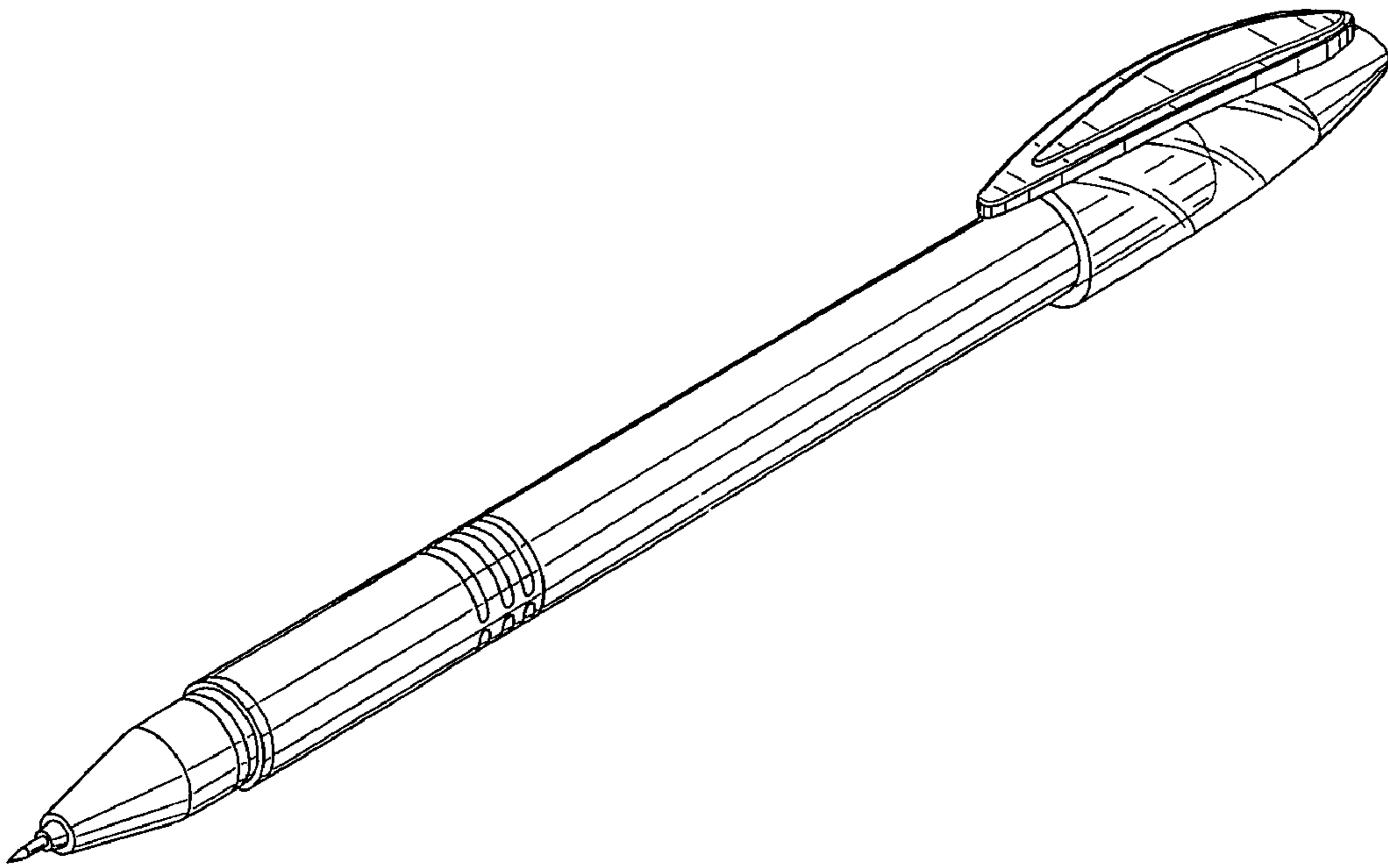


FIG. 7